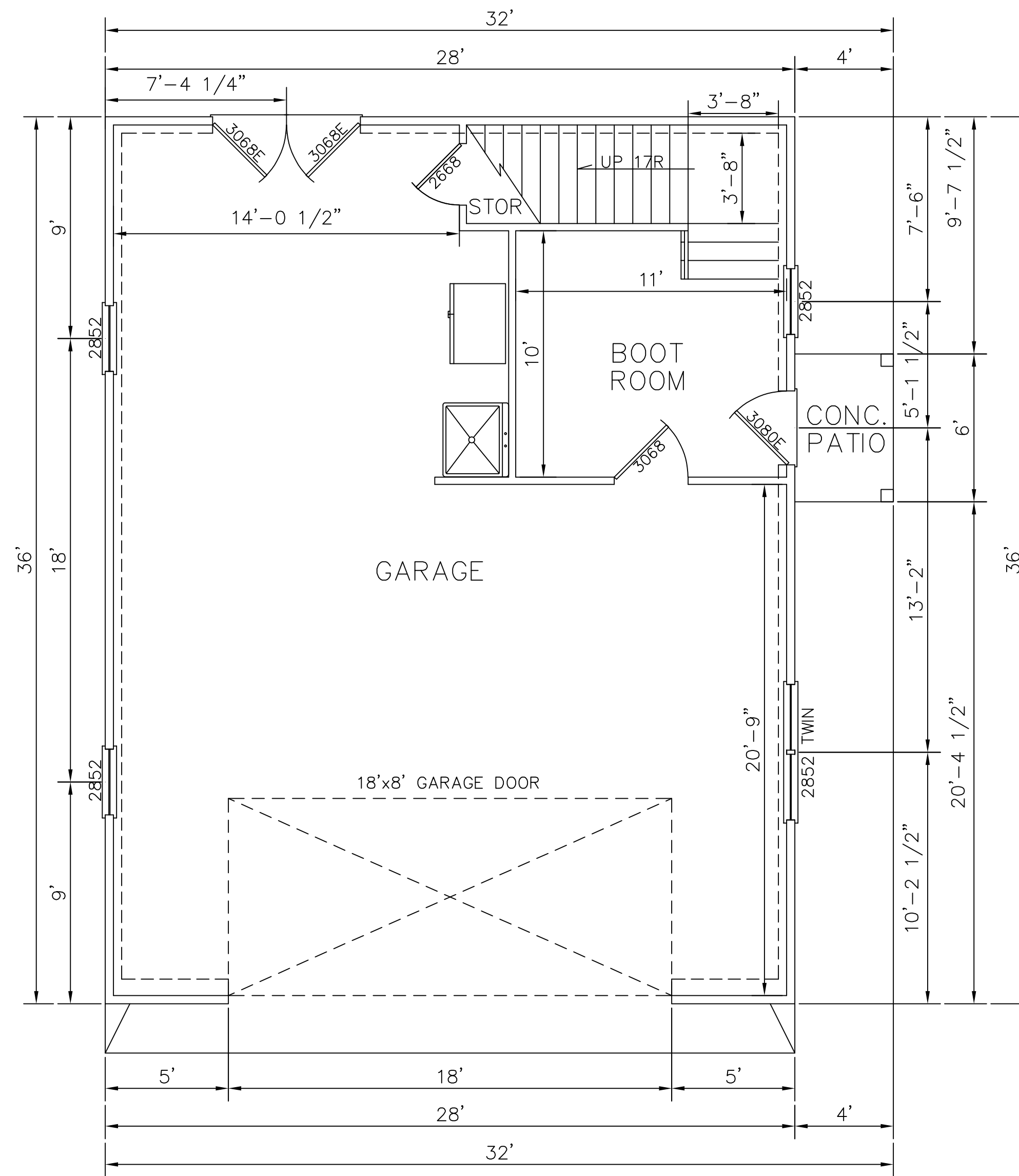


**FOUNDATION PLAN**

SCALE: 1/4"=1'-0"



**FIRST FLOOR PLAN**

SCALE: 1/4"=1'-0"

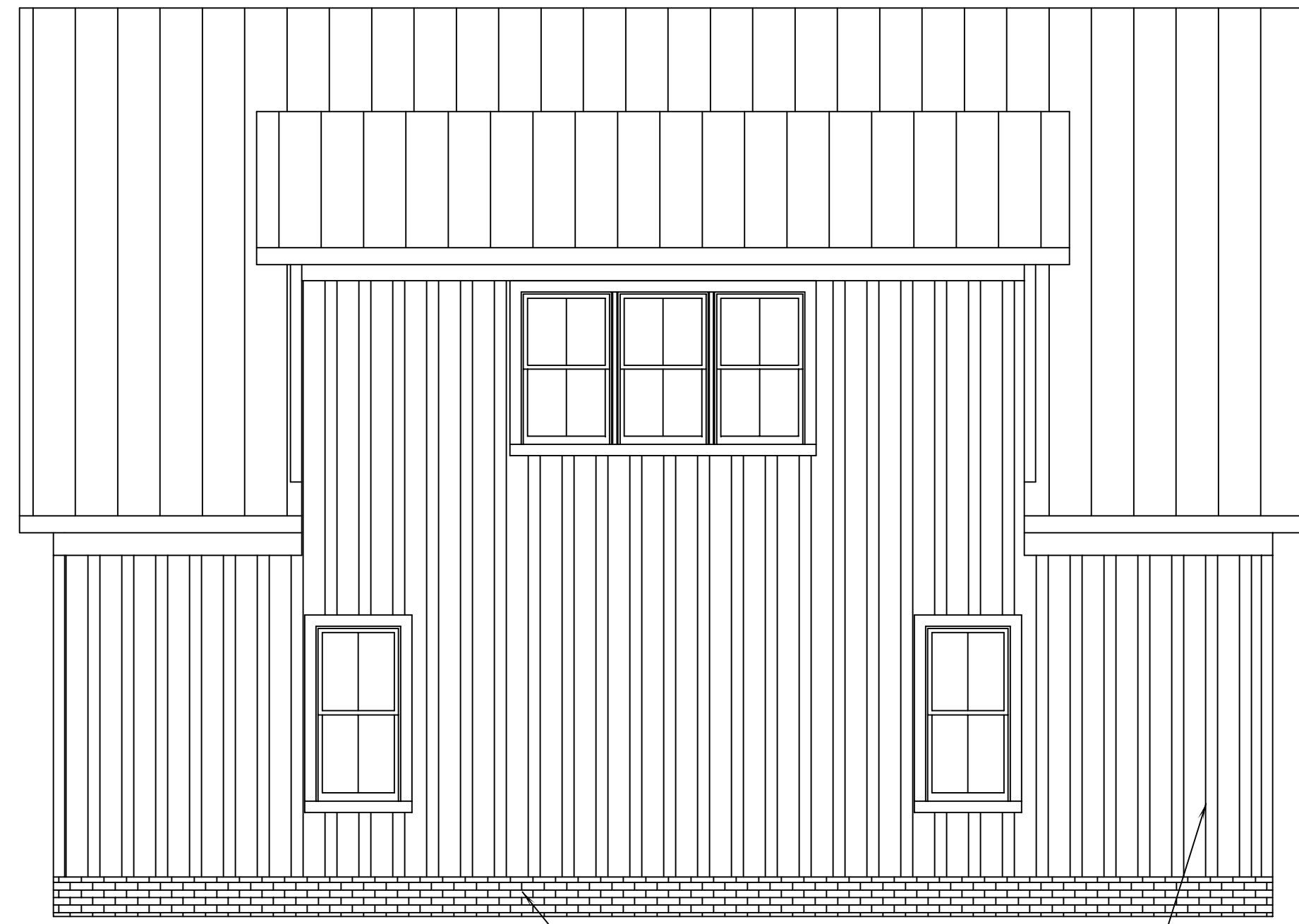
JEROME JACKSON  
 P.O. BOX 161, SANDY HOOK, VA 23153  
 PH (804) 350-1534

SANDERS GARAGE  
 JOB-1908

RIDGE HOMES, LLC  
 7405 WILLOW CROSSING TERRACE  
 RICHMOND, VA 23228  
 (804) 641-2369

DRAWN BY: JMJ  
 DATE: 2/11/21  
 SCALE: 1/4"=1'-0"  
 SHEET 1





BRICK FOUNDATION VINYL SIDING

**REAR ELEVATION**

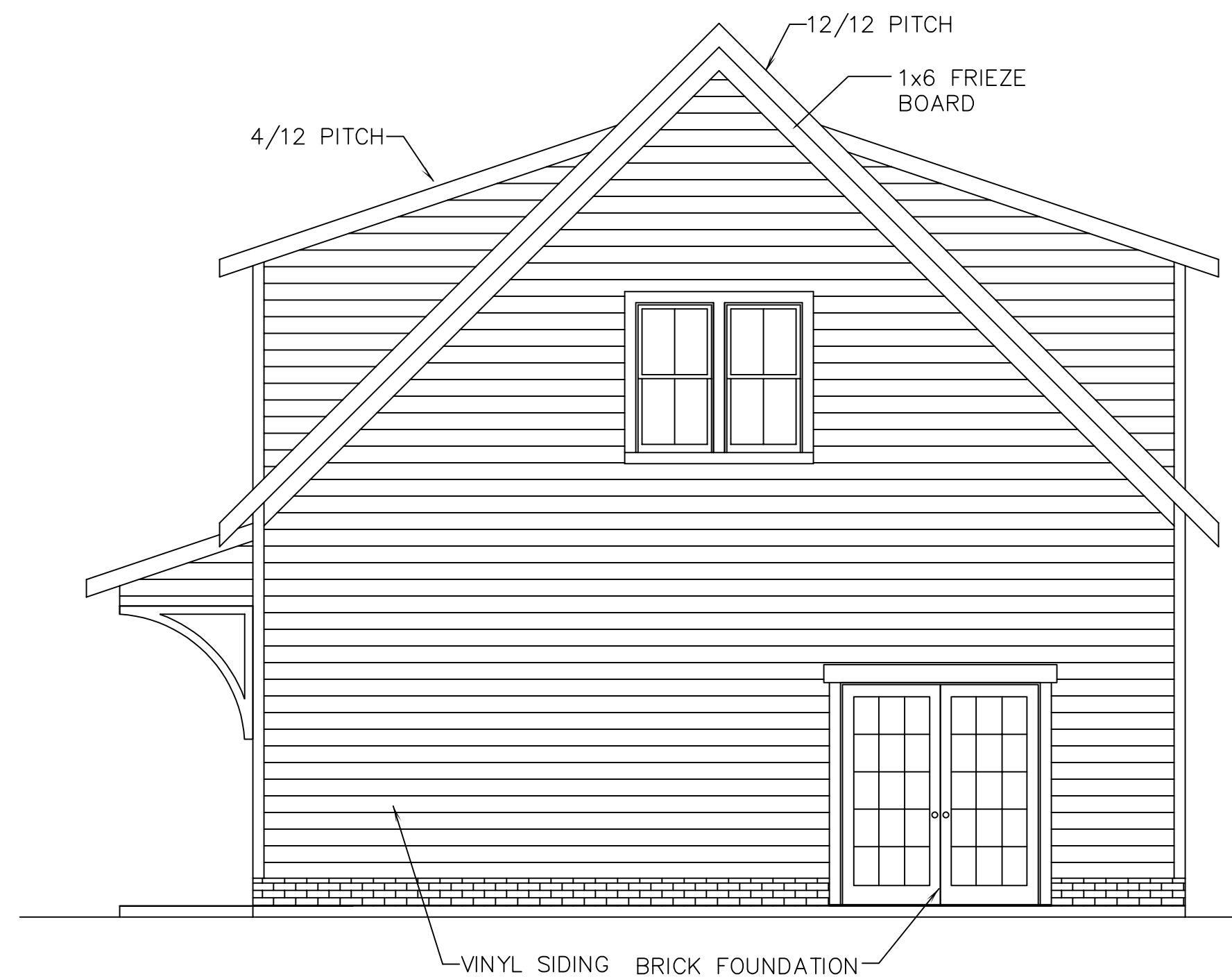
SCALE: 1/4"=1'-0"



BRICK FOUNDATION VINYL SIDING

**FRONT ELEVATION**

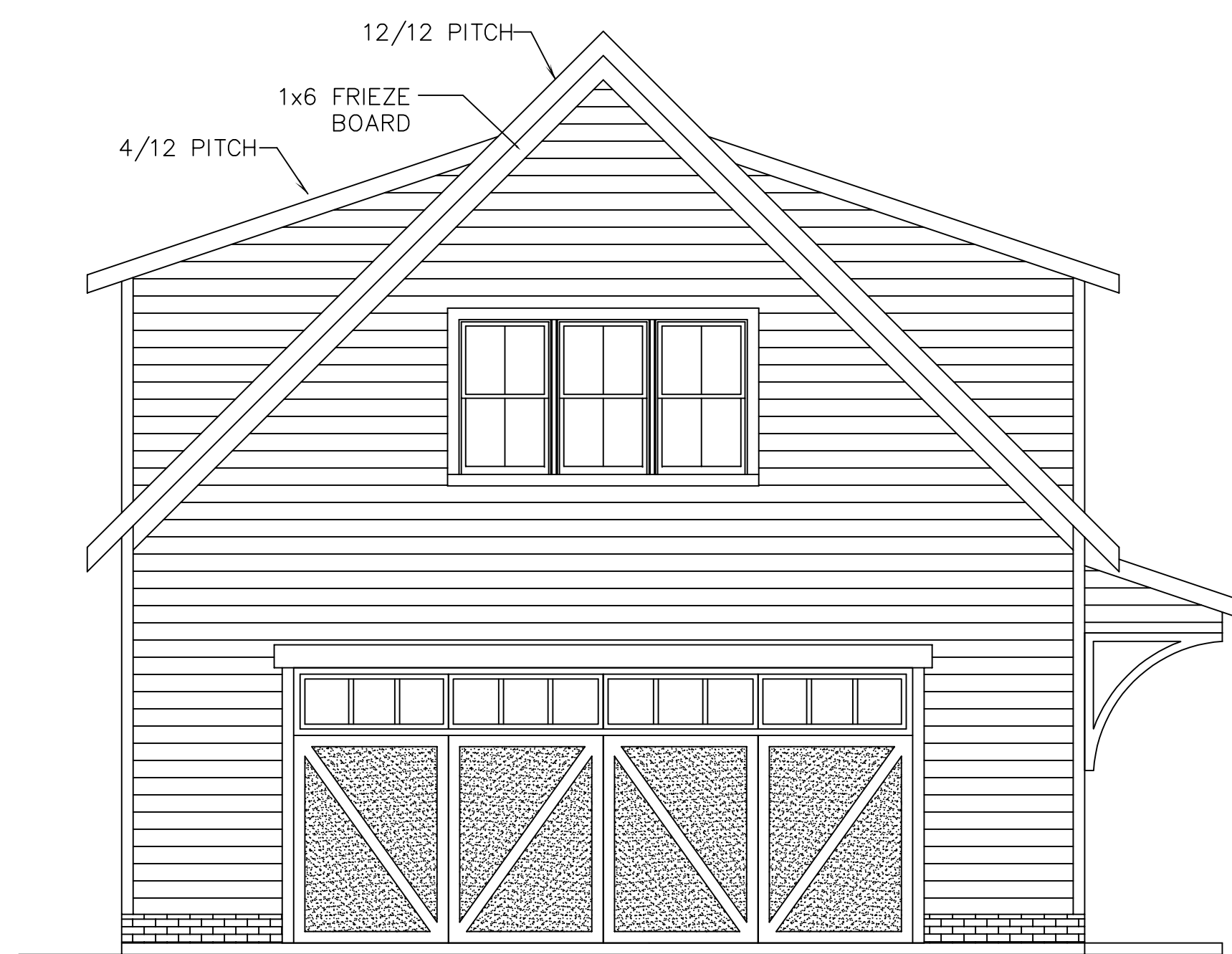
SCALE: 1/4"=1'-0"



VINYL SIDING BRICK FOUNDATION

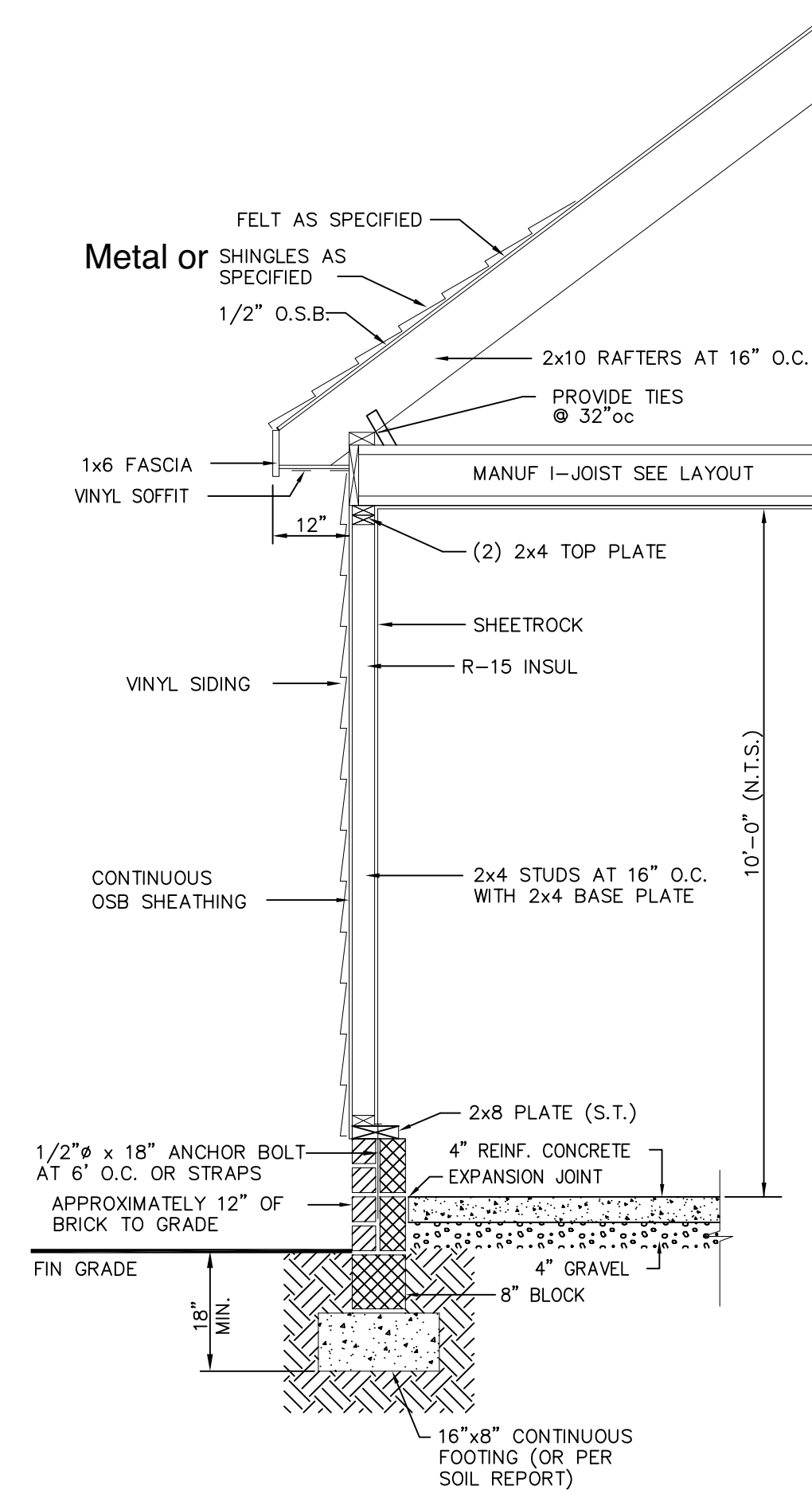
**RIGHT ELEVATION**

SCALE: 1/4"=1'-0"



**LEFT ELEVATION**

SCALE: 1/4"=1'-0"



FELT AS SPECIFIED  
 Metal or SHINGLES AS SPECIFIED  
 1/2" O.S.B.  
 2x10 RAFTERS AT 16" O.C.  
 PROVIDE TIES @ 32" OC  
 1x6 FASCIA  
 VINYL SOFFIT  
 12"  
 MANUF I-JOIST SEE LAYOUT  
 (2) 2x4 TOP PLATE  
 SHEETROCK  
 R-15 INSUL  
 VINYL SIDING  
 CONTINUOUS OSB SHEATHING  
 2x4 STUDS AT 16" O.C. WITH 2x4 BASE PLATE  
 10'-0" (N.I.S.)  
 2x8 PLATE (S.T.)  
 4" REINF. CONCRETE EXPANSION JOINT  
 1/2" x 18" ANCHOR BOLT AT 6" O.C. OR STRAPS APPROXIMATELY 12" OF BRICK TO GRADE  
 FIN GRADE  
 18" MIN.  
 4" GRAVEL  
 8" BLOCK  
 16"x8" CONTINUOUS FOOTING (OR PER SOIL REPORT)

**TYPICAL WALL SECTION**

SCALE: NTS

JEROME JACKSON  
 P.O. BOX 161, SANDY HOOK, VA 23153  
 PH (804) 350-1534

SALINDERS GARAGE  
 JOB-1908

RIDGE HOMES, LLC  
 7405 WILLOW CROSSING TERRACE  
 RICHMOND, VA 23228  
 (804) 641-2369

DRAWN BY: JMJ  
 DATE: 2/11/21  
 SCALE: 1/4"=1'-0"  
 SHEET 3