

SKETCH SHOWING THE
PROPOSED IMPROVEMENTS
ON LOT 13, BLOCK 6,
"PROVIDENCE PARK"
IN THE CITY OF RICHMOND, VA.

Virginia Surveys

P.O. BOX 118
CHESTERFIELD, VA 23832

(804) 748-9481
COPYRIGHT © VIRGINIA SURVEYS
All rights reserved.

REVISED: 7-1-2020

REVISED: 5-5-2020

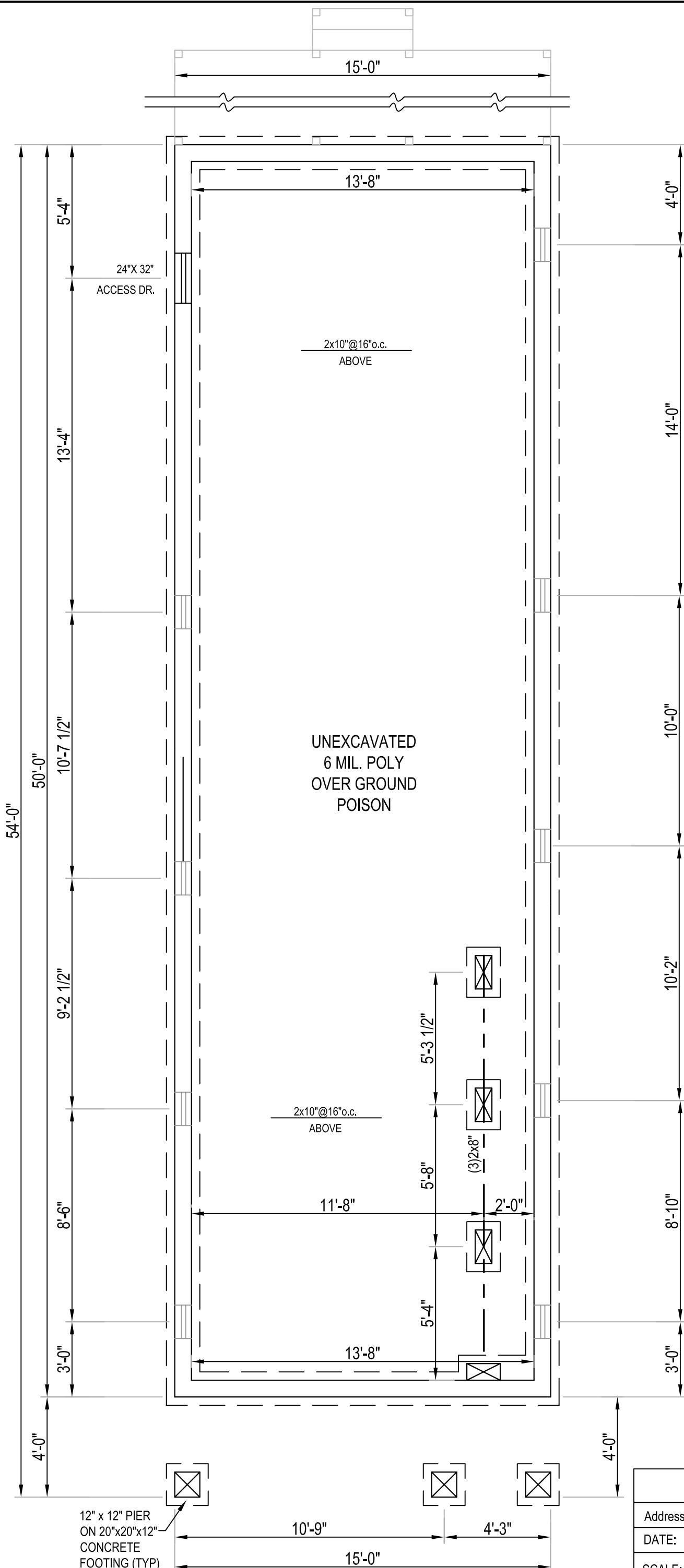
DATE: 4-23-2020

CERTIFIED BY JEFFREY K. FLOYD

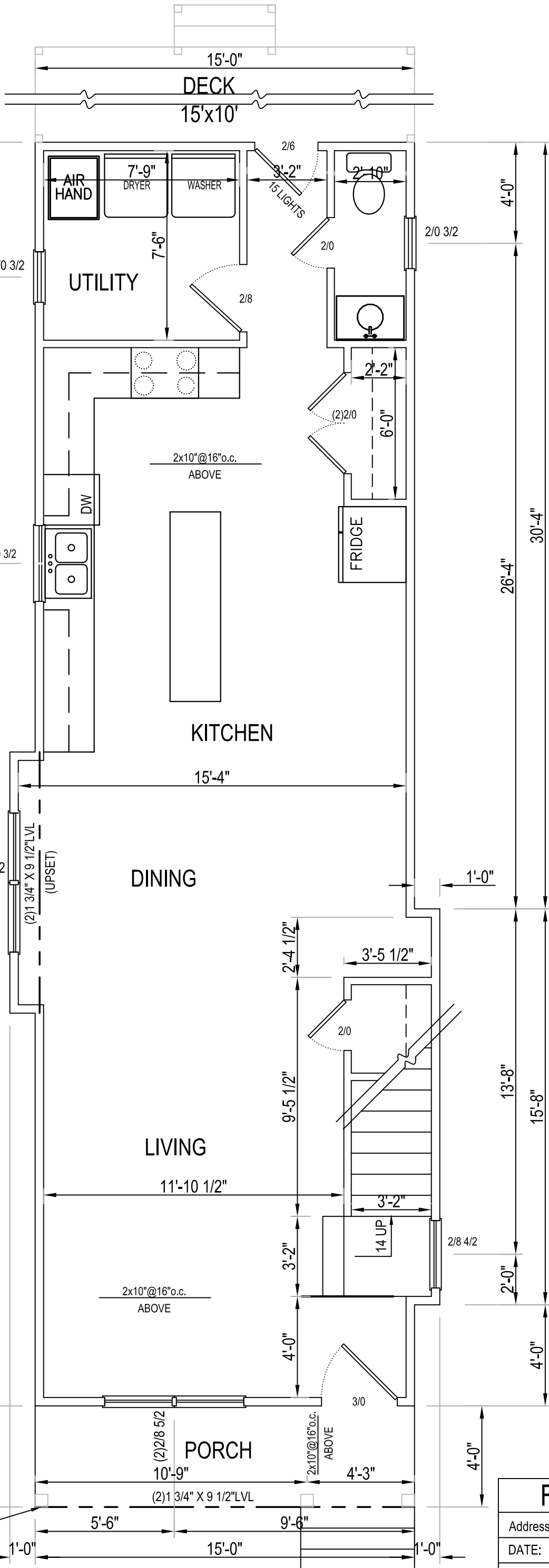
VIRGINIA CERTIFICATE NO. 001905

SCALE: 1"=20'

JOB NO. 200413263



FOUNDATION PLAN			
Address:		REVISIONS:	
DATE:	03/31/19		
SCALE:	1/4"-1'-0"	SHEET 1	OF 8



AREA CALCULATIONS

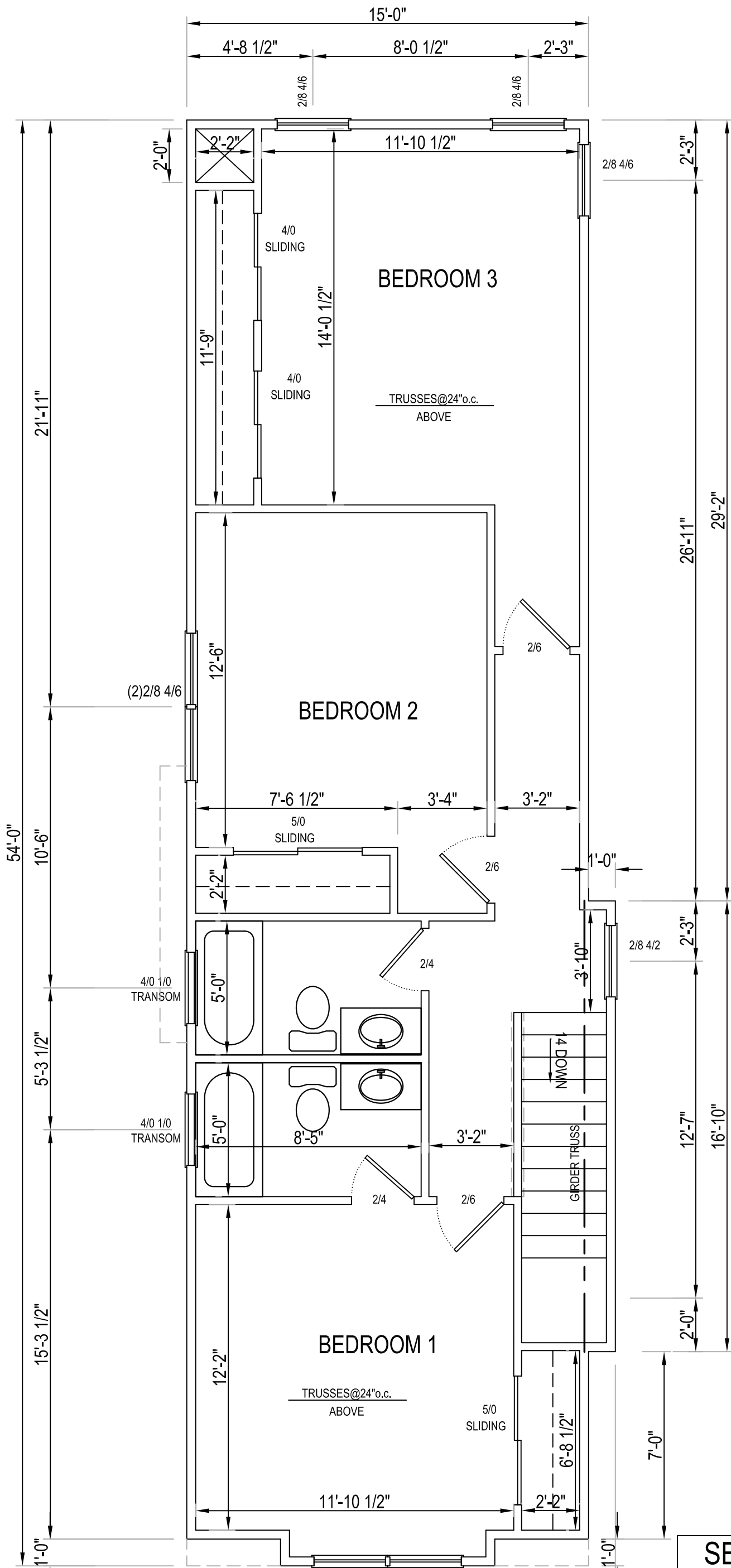
1st. FLOOR SQ.FT.	776
2nd. FLOOR SQ.FT.	819
TOTAL HEATED SQ.FT.	1585

HEADER SCHEDULE

SPAN	SIZE
Less than 3'-0"	(2) 2 X 4
3'-1" to 4'-0"	(2) 2 X 6
4'-1" to 5'-0"	(2) 2 X 8
5'-1" to 8'-0"	(2) 2 X 10
** Unless Noted Otherwise	

FIRST FLOOR LAYOUT

Address:	REVISIONS:
DATE: 03/31/19	
SCALE: 1/4"-1-0'	SHEET 2 OF 8



HEADER SCHEDULE

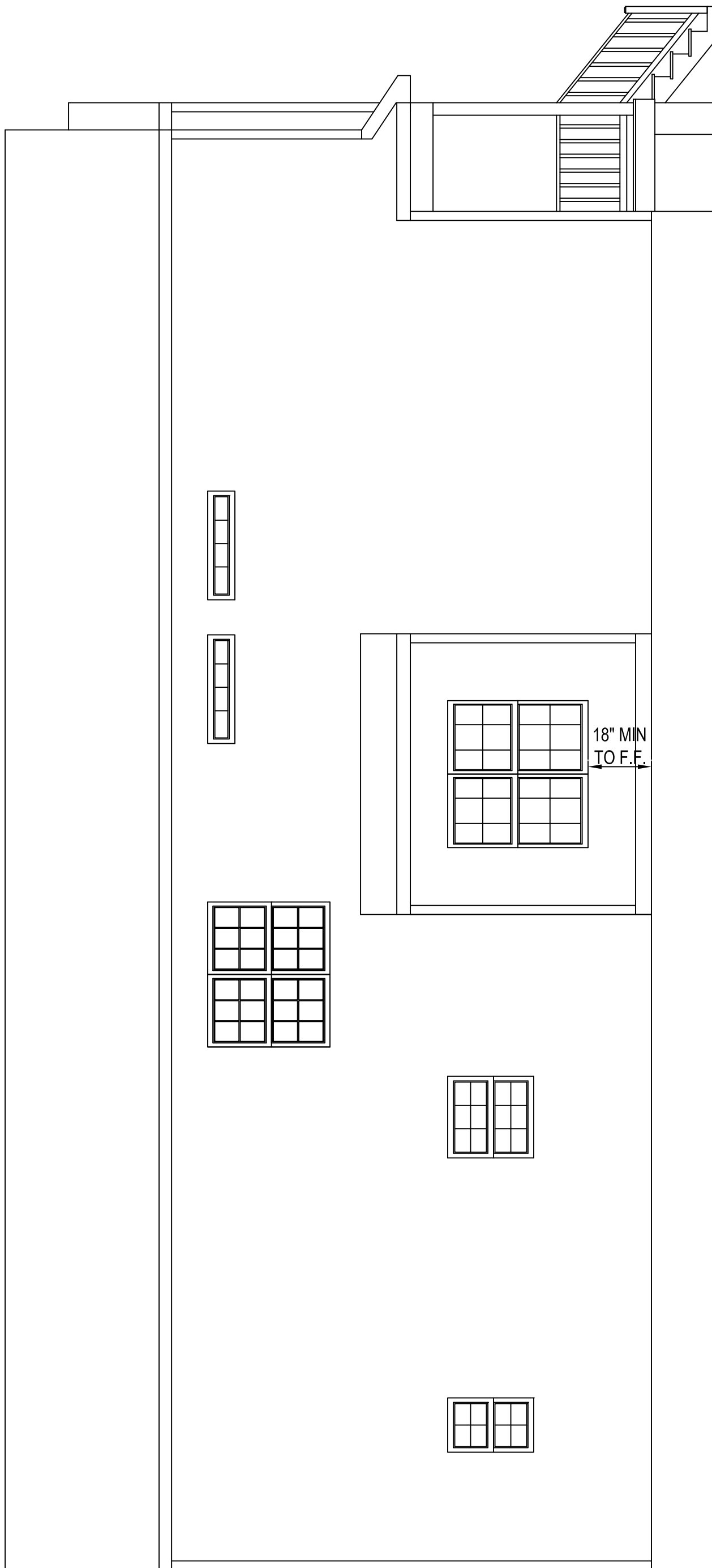
SPAN	SIZE
Less than 3'-0"	(2) 2 X 4
3'-1" to 4'-0"	(2) 2 X 6
4'-1" to 5'-0"	(2) 2 X 8
5'-1" to 8'-0"	(2) 2 X 10

** Unless Noted Otherwise

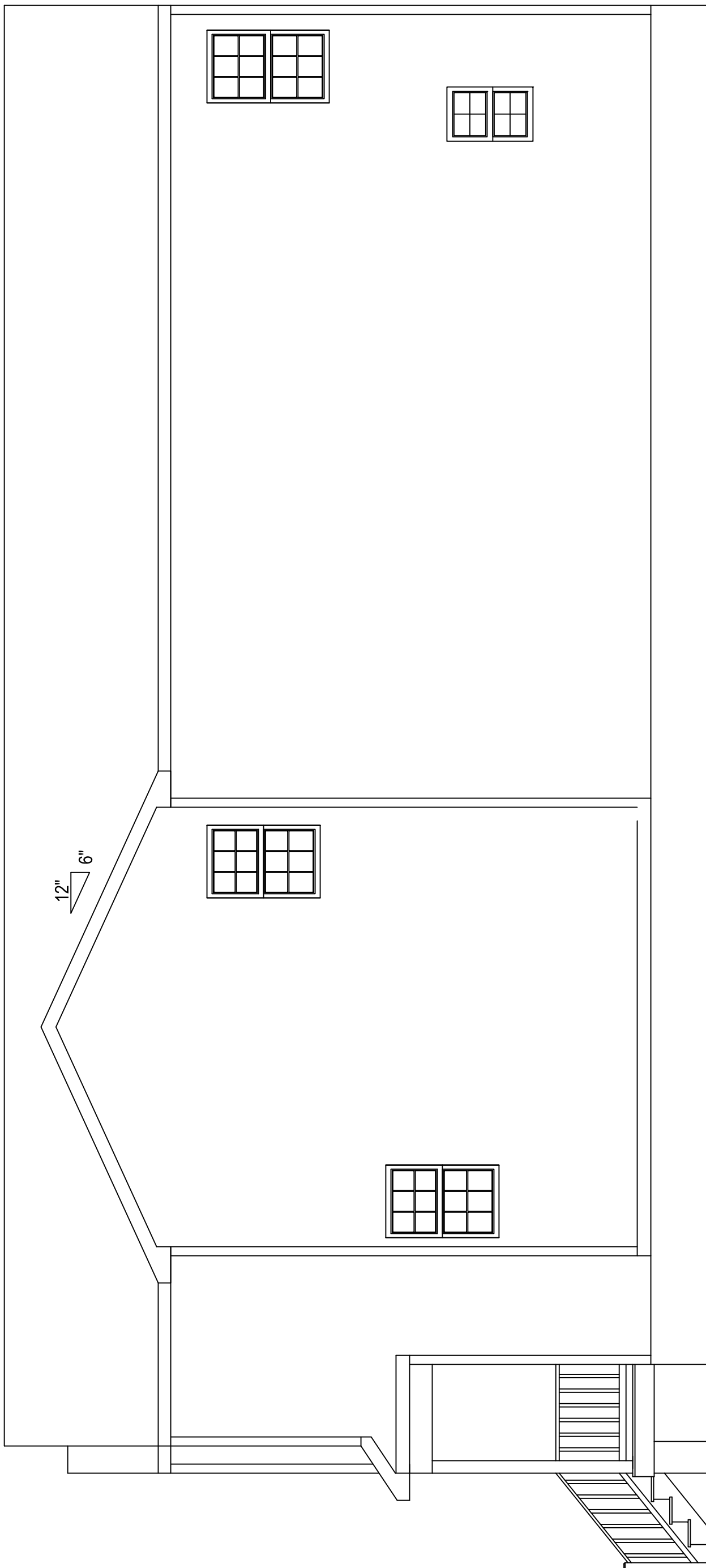
SECOND FLOOR LAYOUT			
Address:		REVISIONS:	
DATE:	03/31/19		
SCALE:	1/4"-1'-0'	SHEET 3	OF 8



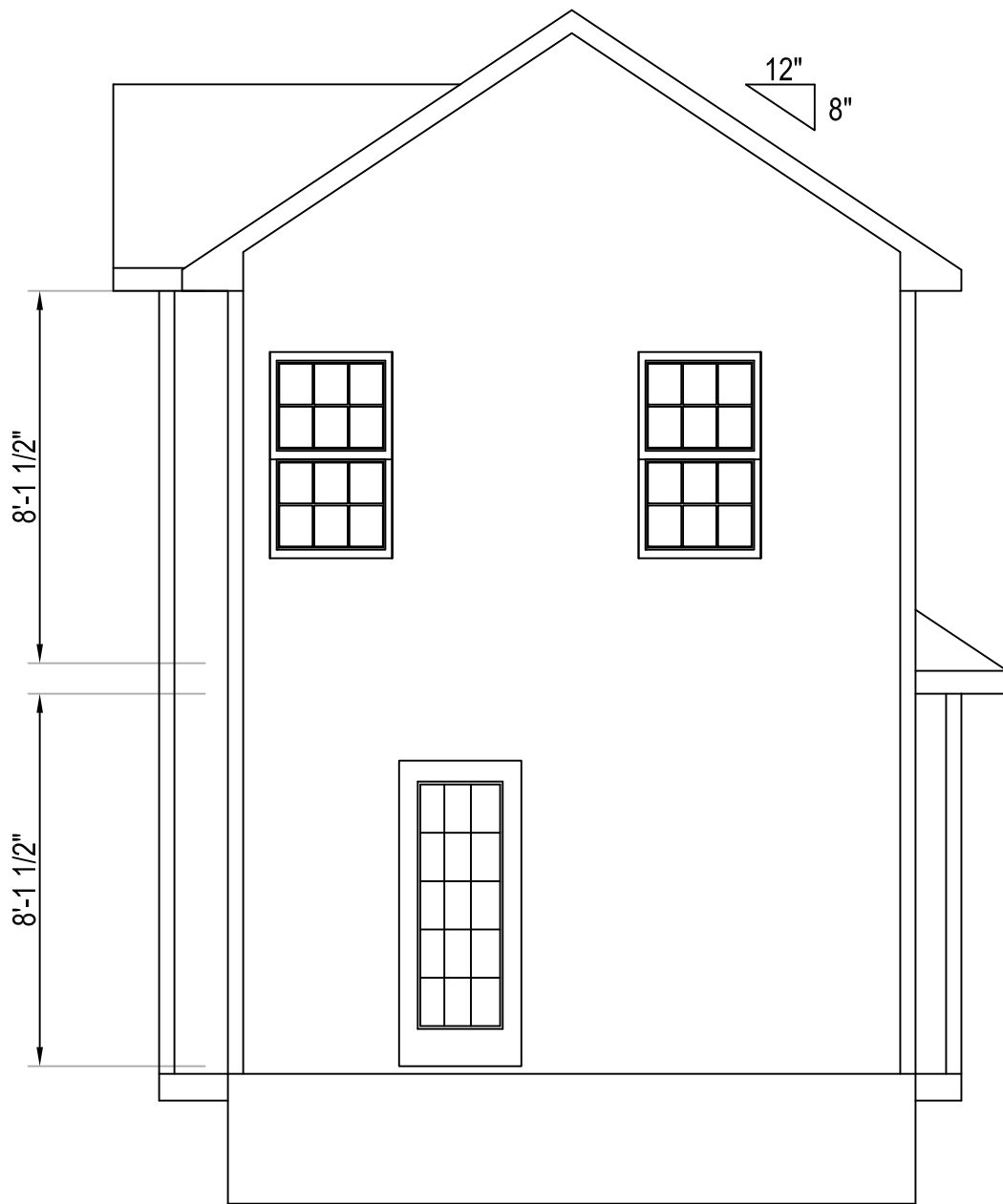
FRONT ELEVATION		
Address:		REVISIONS:
DATE:	03/31/19	
SCALE:	1/4"-1'-0'	SHEET 4 OF 8



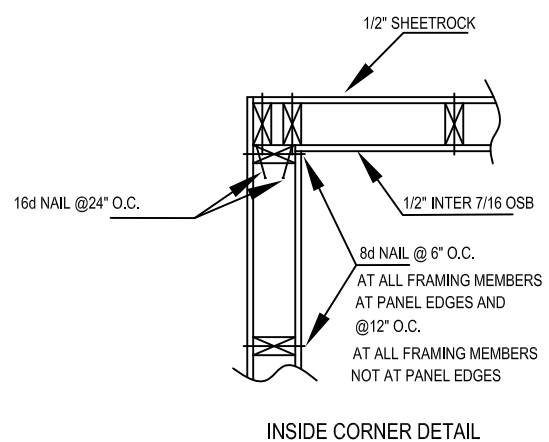
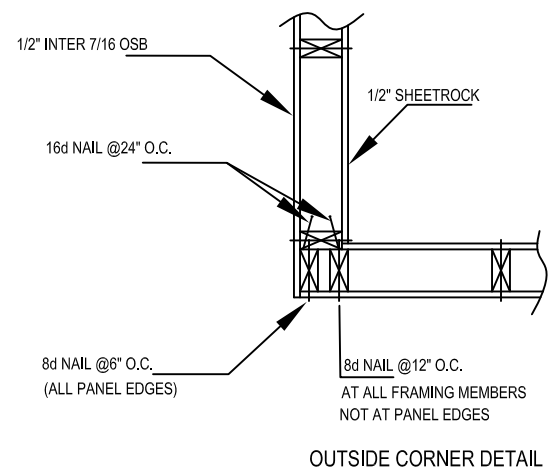
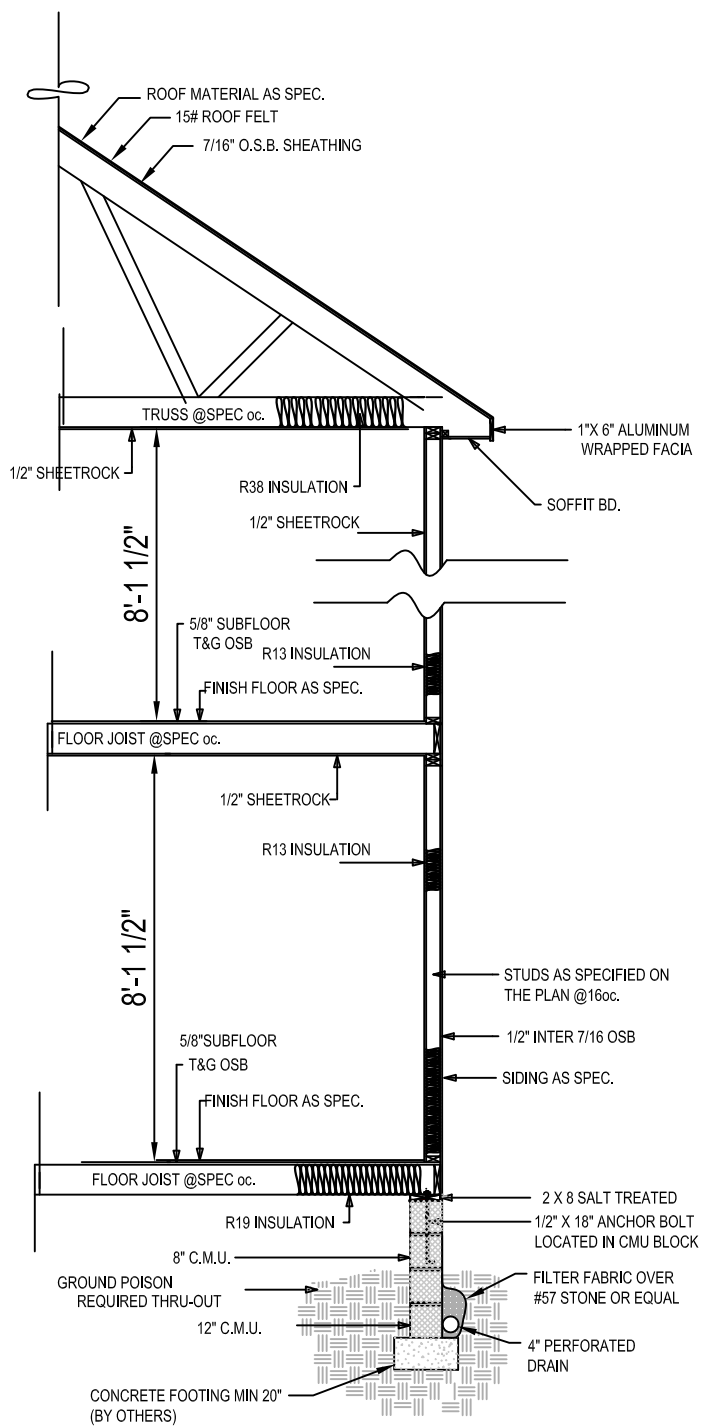
LEFT ELEVATION			
Address:		REVISIONS:	
DATE:	03/31/19		
SCALE:	1/4"-1-0'	SHEET 5	OF 8



RIGHT ELEVATION			
Address:		REVISIONS:	
DATE:	03/31/19		
SCALE:	1/4"-1-0'	SHEET 6	OF 8



REAR ELEVATION			
Address:	5312 Stokes Ln	REVISIONS:	
DATE:	03/31/19		
SCALE:	1/4"-1-0'	SHEET 7	OF 8



EXTERIOR CORNER FRAMING
 N.T.S.

DETAILS		
Address:	03/31/19	REVISIONS:
DATE:		
SCALE:	1/4"-1-0'	SHEET 8 OF 8