



# Commission of Architectural Review SUBMISSION APPLICATION

City of Richmond, Room 510 – City Hall  
900 East Broad Street, Richmond, Virginia 23219  
PHONE: (804) 646-6335 FAX: (804) 646-5789

**12 COPIES OF SUPPORTING DOCUMENTATION ARE REQUIRED FOR PROCESSING YOUR SUBMISSION**

LOCATION OF WORK: 1902-1906 Princess Anne Ave. DATE: 11/23/16

OWNER'S NAME: Hollyport Ventures LLC TEL NO.: 804-306-4791

AND ADDRESS: 306 Hollyport Road EMAIL: richard@hollyportventures.com

CITY, STATE AND ZIPCODE: Henrico, VA 23229

ARCHITECT/CONTRACTOR'S NAME: R. Michael Cross Design Group TEL. NO.: 202-536-3006

AND ADDRESS: 2001 S St NW Suite 230 EMAIL: \_\_\_\_\_

CITY, STATE AND ZIPCODE: Washington, DC 20009

Would you like to receive your staff report via email? Yes  No

## REQUEST FOR CONCEPTUAL REVIEW

I hereby request Conceptual Review under the provisions of Chapter 114, Article IX, Division 4, Section 114-930.6(d) of the Richmond City Code for the proposal outlined below in accordance with materials accompanying this application. I understand that conceptual review is advisory only.

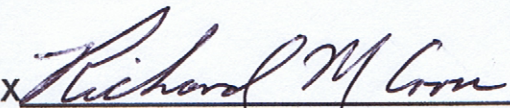
## APPLICATION FOR CERTIFICATE OF APPROPRIATENESS

I hereby make application for the issuance of a certificate under the provisions of Chapter 114, Article IX, Division 4 (Old and Historic Districts) of the Richmond City Code for the proposal outlined below in accordance with plans and specifications accompanying this application.

## DETAILED DESCRIPTION OF PROPOSED WORK (Required):

**STATE HOW THE DESIGN REVIEW GUIDELINES INFORM THE DESIGN OF THE WORK PROPOSED.** (Include additional sheets of description if necessary, and 12 copies of artwork helpful in describing the project. The 12 copies are not required if the project is being reviewed for an administrative approval. See instruction sheet for requirements.)

In our original application we specified Anderson 400 Series, Double Hung, One over One, White aluminum over wood windows. For a number of performance and durability issues we would like to use Custom Vinyl Products, LLC, Double Hung, One over One, White solid vinyl windows. These will have the same appearance as the Anderson windows but meet the LEED requirements and are manufactured here in Virginia. See cut sheet attached.

Signature of Owner or Authorized Agent: X 

Name of Owner or Authorized Agent (please print legibly): Richard M. Cross

**(Space below for staff use only)**

Received by Commission Secretary \_\_\_\_\_

APPLICATION NO. \_\_\_\_\_

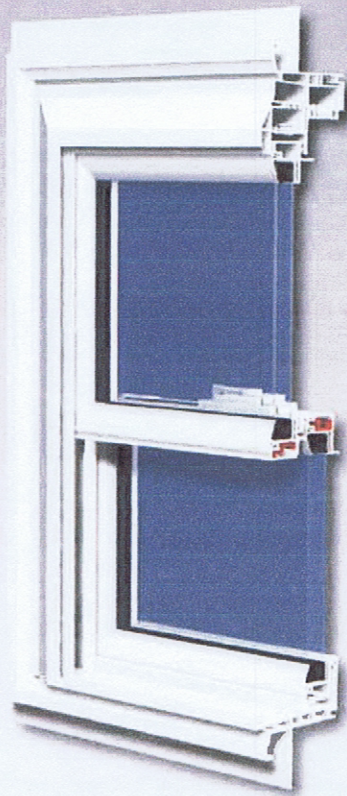
DATE \_\_\_\_\_

SCHEDULED FOR \_\_\_\_\_

**Note: CAR reviews all applications on a case-by-case basis.**

Revised 10-02-2014

**CAD MODEL**



**Custom Vinyl  
 Products, LLC**  
 Window & Door

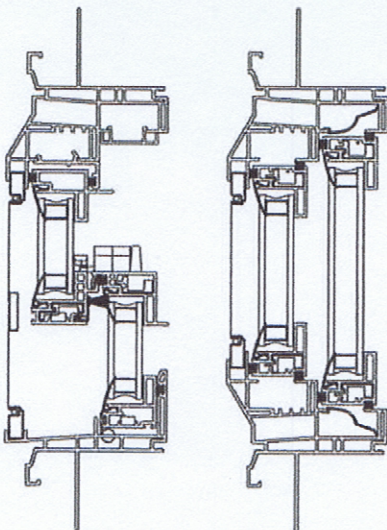
[www.customvinyl.net](http://www.customvinyl.net)

Locally Owned & Operated  
 Products Certified 100% Lead Free

**FEATURES and BENEFITS**

- Impact rated grade 50 performance.
- Continuous head and sill with integral mullion.
- All Welded, Brickmold wood window look.
- Dualweatherstripping.
- Full 1-3/4" integral nail fin.
- Double wall frame for less roll.
- Strong integral mull reinforcement.
- Available in equal and unequal glass.
- Exterior glazed.
- Factory applied WM-180 brickmold available.
- Factory applied 5/4x4 exterior trim.
- Universal pivot shoe pocket with constant force balancesystem.
- Full / half screen options.
- Full family of Single Hung, Single Slider, 3-lite Slider, and Picture Window.

**ASSEMBLY DRAWING**



**MANUFACTURING LIMITATIONS**

**BASELINE PERFORMANCE**

**Thermal Insulation**

GLASS	Uc Value	R Value	SHGC
LoE 270	0.30	3.33	.26
LoE 366	0.30	3.33	.19
LoE 366 w/i89	0.27	3.70	.19

**Structural Performance**

Air Infiltration @ 25 mph	0.19 cfm/ft <sup>2</sup>
Water Penetration	7.50 psf
Uniform Loads	+/-75.00 psf

**AAMA RATING: R-PG50-H**