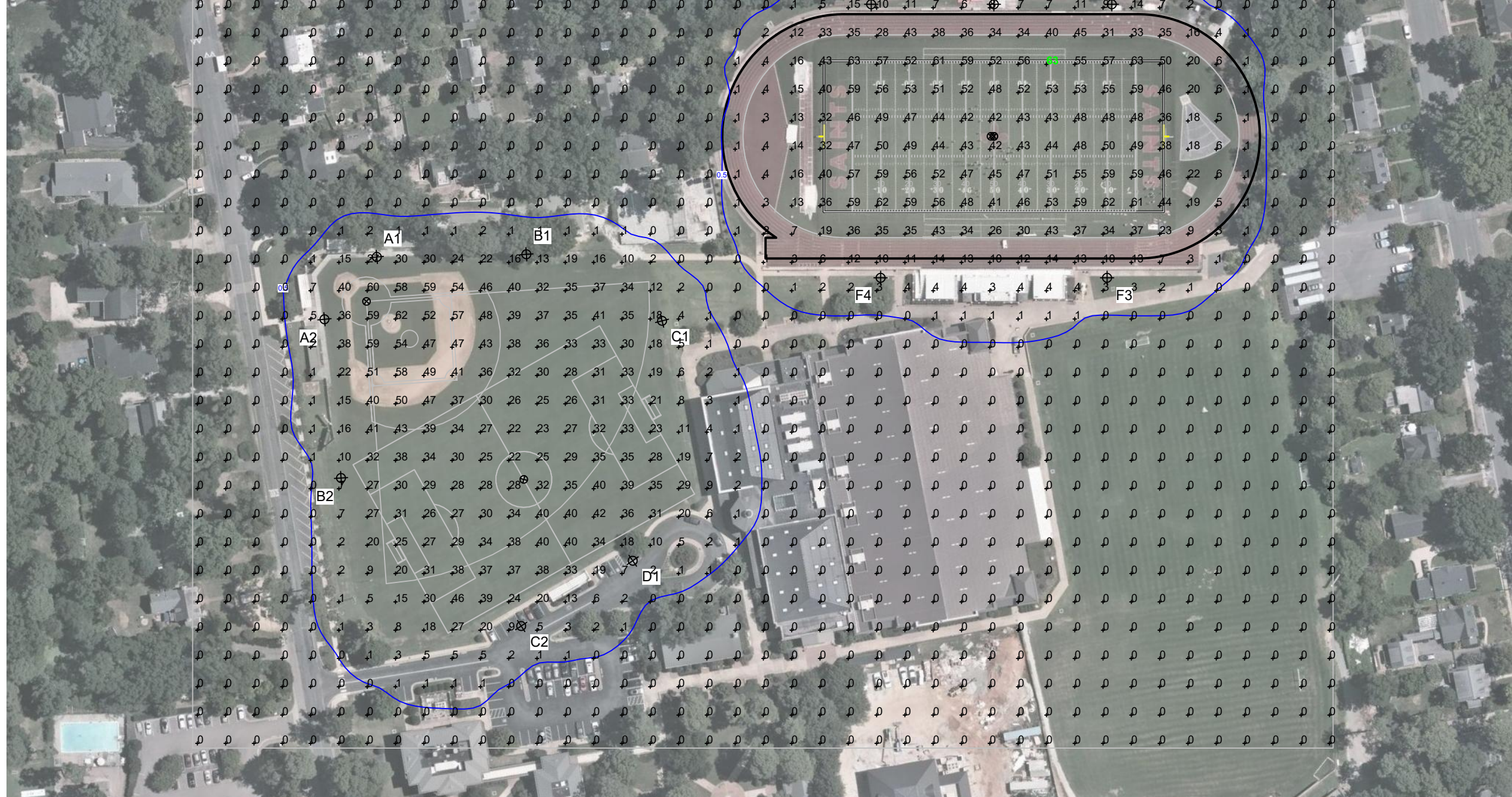


EQUIPMENT LIST FOR AREAS SHOWN									
Pole				Luminaires					
QTY	LOCATION	SIZE	GRADE ELEVATION	MOUNTING HEIGHT	LUMINAIRE TYPE	QTY / POLE	THIS GRID	OTHER GRIDS	
2	A1-A2	60'	-	60'	TLC-LED-900	4	4	0	
				15.5'	TLC-BT-575	1	1	0	
				60'	TLC-LED-600	1	1	0	
2	B1-B2	70'	-	70'	TLC-LED-900	2	2	0	
				15.5'	TLC-BT-575	1	1	0	
				70'	TLC-LED-1200	5	5	0	
1	C1	70'	-	70'	TLC-LED-600	1	1	0	
				15.5'	TLC-BT-575	2	2	0	
				70'	TLC-LED-1200	3	3	0	
2	C2, D1	70'	-	15.5'	TLC-BT-575	1	1	0	
				70'	TLC-LED-1200	6	6	0	
				60'	TLC-LED-1200	4	4	0	
2	F1-F2	60'	-	15.5'	TLC-BT-575	2	2	0	
				60'	TLC-LED-900	3	3	0	
				15.5'	TLC-BT-575	2	2	0	
2	F3-F4	80'	-	15.5'	TLC-BT-575	2	2	0	
				80'	TLC-LED-1500	8	8	0	
				60'	TLC-LED-1200	6	6	0	
1	F5	60'	-	60'	TLC-LED-1200	6	6	0	
12	TOTALS					92	92	0	

GRID SUMMARY	
Name:	Blanket Grid
Spacing:	30.0' x 30.0'
Height:	3.0' above grade

ILLUMINATION SUMMARY	
MAINTAINED HORIZONTAL FOOTCANDLES	
Entire Grid	
Scan Average:	8.60
Maximum:	63.3
Minimum:	0.0
Avg / Min:	-
Max / Min:	-
UG (adjacent pts):	66.36
CU:	0.92
No. of Points:	1230
LUMINAIRE INFORMATION	
Applied Circuits:	A, B, C
No. of Luminaires:	92
Total Load:	95.47 kW

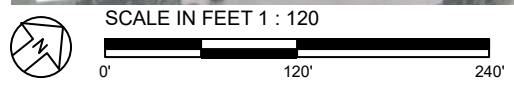


Guaranteed Performance: The ILLUMINATION described above is guaranteed per your Musco Warranty document and includes a 0.95 dirt depreciation factor.

Field Measurements: Individual field measurements may vary from computer-calculated predictions and should be taken in accordance with IESNA RP-6-15.

Electrical System Requirements: Refer to Amperage Draw Chart and/or the "Musco Control System Summary" for electrical sizing.

Installation Requirements: Results assume ± 3% nominal voltage at line side of the driver and structures located within 3 feet (1m) of design locations.



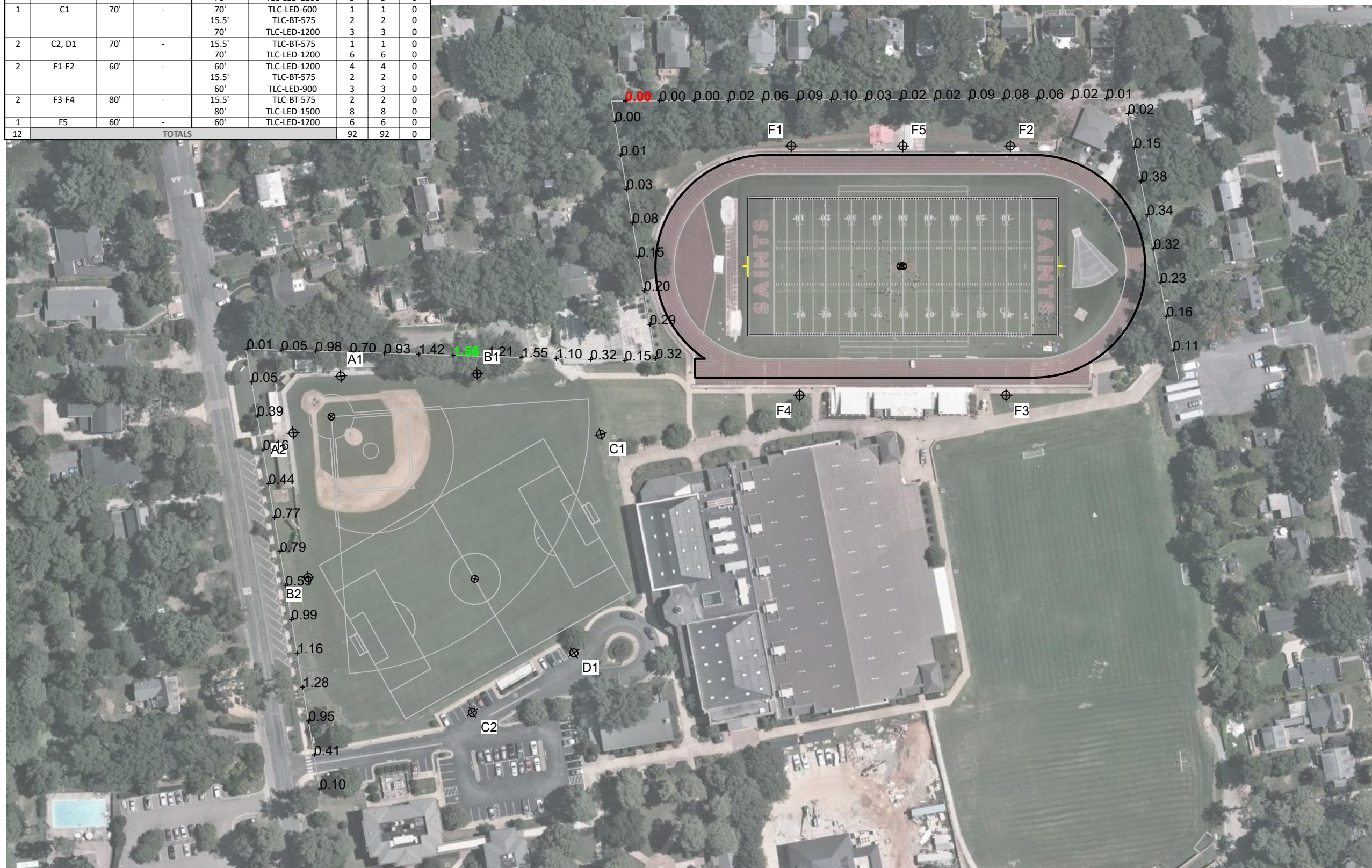
Pole location(s) ⊕ dimensions are relative to 0,0 reference point(s) ⊗



EQUIPMENT LIST FOR AREAS SHOWN									
Pole			Luminaires						
QTY	LOCATION	SIZE	GRADE ELEVATION	MOUNTING HEIGHT	LUMINAIRE TYPE	QTY / POLE	THIS GRID	OTHER GRIDS	
2	A1-A2	60'	-	60'	TLC-LED-900	4	4	0	
				15.5'	TLC-BT-575	1	1	0	
				60'	TLC-LED-600	1	1	0	
2	B1-B2	70'	-	70'	TLC-LED-900	2	2	0	
				15.5'	TLC-BT-575	1	1	0	
				70'	TLC-LED-1200	5	5	0	
1	C1	70'	-	70'	TLC-LED-600	1	1	0	
				15.5'	TLC-BT-575	2	2	0	
				70'	TLC-LED-1200	3	3	0	
2	C2, D1	70'	-	15.5'	TLC-BT-575	1	1	0	
				70'	TLC-LED-1200	6	6	0	
				60'	TLC-LED-1200	4	4	0	
2	F1-F2	60'	-	60'	TLC-LED-1200	4	4	0	
				15.5'	TLC-BT-575	2	2	0	
				60'	TLC-LED-900	3	3	0	
2	F3-F4	80'	-	15.5'	TLC-BT-575	2	2	0	
				80'	TLC-LED-1500	8	8	0	
				60'	TLC-LED-1200	6	6	0	
1	F5	60'	-	60'	TLC-LED-1200	6	6	0	
12	TOTALS					92	92	0	

GRID SUMMARY	
Name:	Property Line
Spacing:	40.0'
Height:	3.0' above grade

ILLUMINATION SUMMARY	
HORIZONTAL FOOTCANDLES	
Scan Average:	Entire Grid 0.3830
Maximum:	1.564
Minimum:	0.000
No. of Points:	56
LUMINAIRE INFORMATION	
Applied Circuits:	A, B, C
No. of Luminaires:	92
Total Load:	95.47 kW

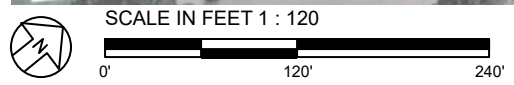


Guaranteed Performance: The ILLUMINATION described above is guaranteed per your Musco Warranty document.

Field Measurements: Individual field measurements may vary from computer-calculated predictions and should be taken in accordance with IESNA RP-6-15.

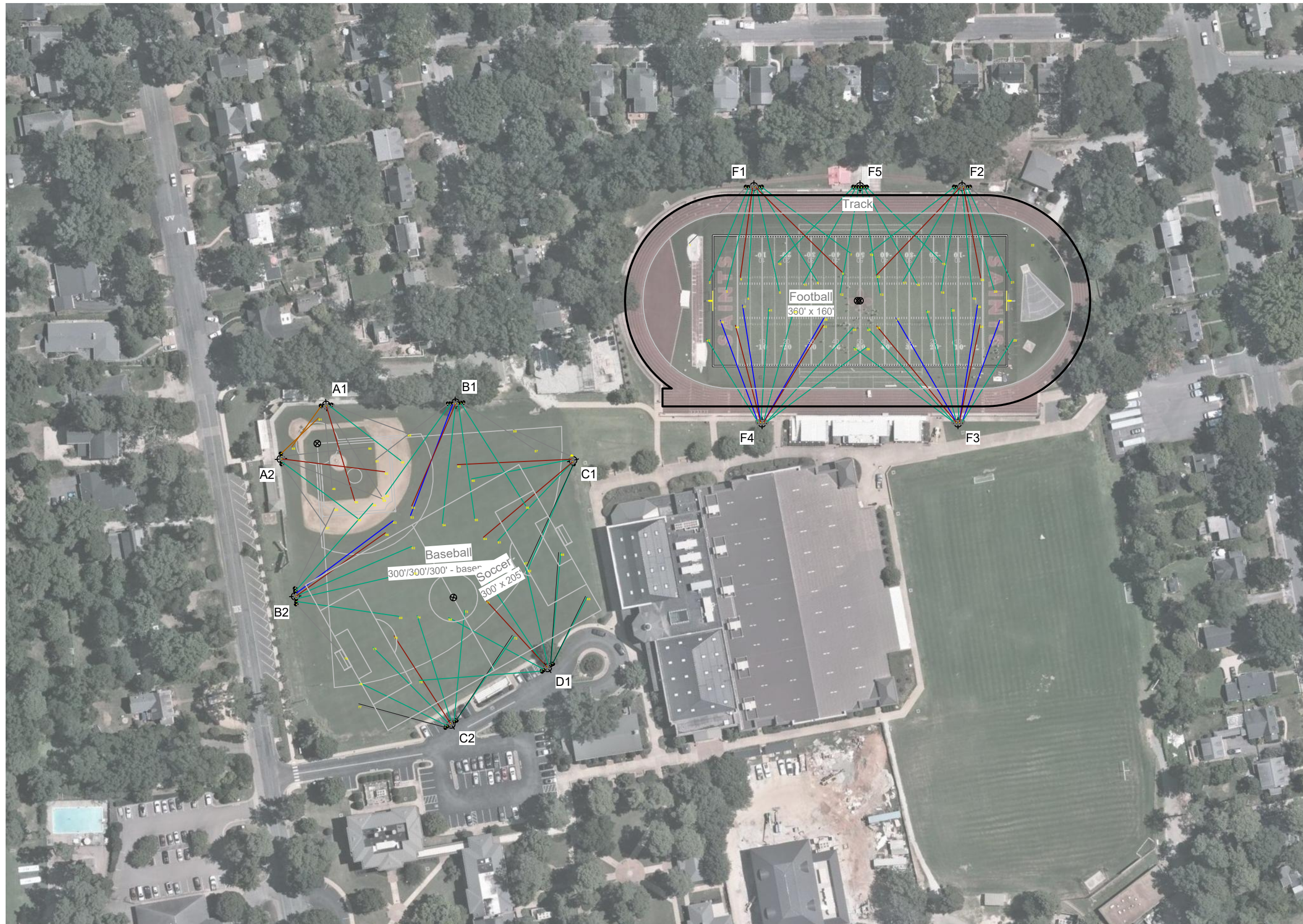
Electrical System Requirements: Refer to Amperage Draw Chart and/or the "Musco Control System Summary" for electrical sizing.

Installation Requirements: Results assume ± 3% nominal voltage at line side of the driver and structures located within 3 feet (1m) of design locations.



Pole location(s) ⊕ dimensions are relative to 0,0 reference point(s) ⊗





EQUIPMENT LAYOUT

INCLUDES:

- Baseball
- Football
- Soccer
- Track

Electrical System Requirements: Refer to Amperage Draw Chart and/or the "Musco Control System Summary" for electrical sizing.

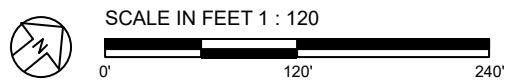
Installation Requirements: Results assume ± 3% nominal voltage at line side of the driver and structures located within 3 feet (1m) of design locations.

EQUIPMENT LIST FOR AREAS SHOWN

QTY	LOCATION	Pole		Luminaires		
		CLASS	GRADE ELEVATION	MOUNTING HEIGHT	LUMINAIRE TYPE	QTY / POLE
2	A1-A2	LSS60A	-	60'	TLC-LED-900	4
				15.5'	TLC-BT-575	1
				60'	TLC-LED-600	1
2	B1-B2	LSS70B	-	70'	TLC-LED-900	2
				15.5'	TLC-BT-575	1
				70'	TLC-LED-1200	5
1	C1	LSS70A	-	70'	TLC-LED-600	1
				15.5'	TLC-BT-575	2
				70'	TLC-LED-1200	3
2	C2, D1	LSS70B	-	15.5'	TLC-BT-575	1
				70'	TLC-LED-1200	6
2	F1-F2	LSS60B	-	60'	TLC-LED-1200	4
				15.5'	TLC-BT-575	2
				60'	TLC-LED-900	3
2	F3-F4	LSS80B	-	15.5'	TLC-BT-575	2
				80'	TLC-LED-1500	8
				60'	TLC-LED-1200	6
1	F5	LSS60B	-	60'	TLC-LED-1200	6
12	TOTALS					92

SINGLE LUMINAIRE AMPERAGE DRAW CHART

Ballast Specifications (.90 min power factor)	Line Amperage Per Luminaire (max draw)					
	208 (60)	220 (60)	240 (60)	277 (60)	347 (60)	480 (60)
TLC-LED-1200	7.0	6.6	6.1	5.2	4.2	4.0
TLC-LED-600	3.4	3.2	3.0	2.6	2.0	1.9
TLC-LED-900	5.3	5.0	4.6	4.0	3.2	2.9
TLC-LED-1500	8.5	8.1	7.4	6.4	5.1	4.7
TLC-BT-575	3.4	3.2	2.9	2.5	2.0	1.8

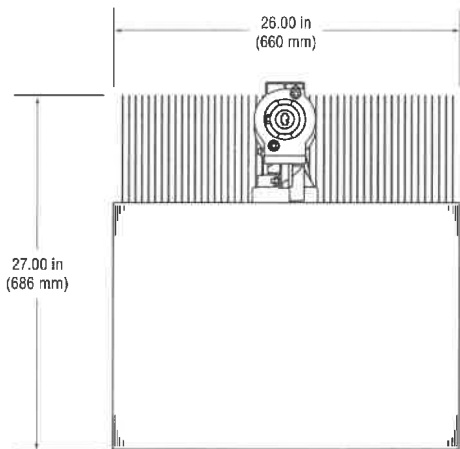
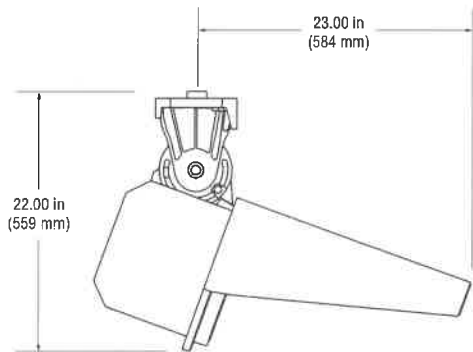
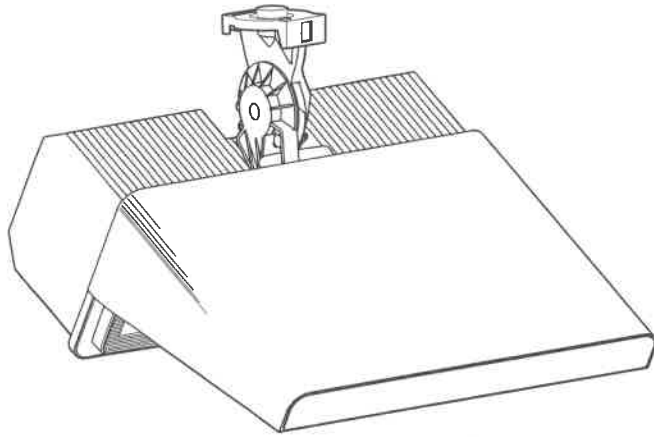


Pole location(s) ⊕ dimensions are relative to 0,0 reference point(s) ⊗



We Make It Happen.

Not to be reproduced in whole or part without the written consent of Musco Sports Lighting, LLC. ©1981, 2021 Musco Sports Lighting, LLC.



Luminaire Data

Weight (luminaire)	67 lb (30 kg)
UL listing number	E338094
UL listed for USA / Canada	UL1598 CSA-C22.2 No.250.0
CE Declaration	LVD, EMC, RoHS
Ingress protection, luminaire	IP65
Impact rating	IK07
Material and finish	Aluminum, powder-coat painted
Wind speed rating (aiming only)	150 mi/h (67 m/s)
UL, IEC ambient temperature rating, luminaire	50°C (122°F)

Photometric Characteristics

Projected lumen maintenance per IES TM-21-11

L90 (20k)	>120,000 h
L80 (20k)	>120,000 h
L70 (20k)	>120,000 h
Lumens ¹	160,000
CIE correlated color temperature	5700 K
Color rendering index (CRI)	75 typ, 70 min
LED binning tolerance	7-step MacAdam Ellipse

Footnotes:

1) Incorporates appropriate dirt depreciation factor for life of luminaire.

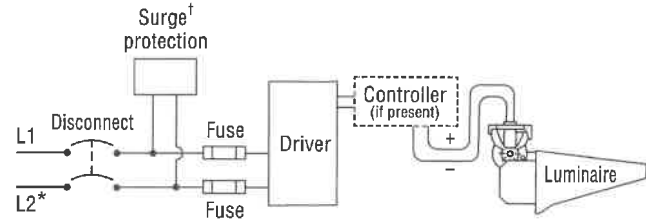
Datasheet: TLC-LED-1500 Luminaire and Driver

Driver Data

Electrical Data

Rated wattage ¹	
Per driver	1430 W
Per luminaire	1430 W
Number of luminaires per driver	1
Starting (inrush) current	<40 A, 256 μs
Fuse rating	15 A
UL, IEC ambient temperature rating, electrical components enclosure	50°C (122°F)
Ingress protection, electrical components enclosure	IP54
Efficiency	95%
Dimming mode	optional
Range, energy consumption	12 – 100%
Range, light output	17 – 100%
Flicker	<2%
Total harmonic distortion (THD) at full output	<20%

Typical Wiring



* If L2 (com) is neutral then not switched or fused.
 † Not present if indoor installation.

	200 Vac 50/60 Hz	208 Vac 60 Hz	220 Vac 50/60 Hz	230 Vac 50 Hz	240 Vac 50/60 Hz	277 Vac 60 Hz	347 Vac 60 Hz	380 Vac 50/60 Hz	400 Vac 50 Hz	415 Vac 50 Hz	480 Vac 60 Hz
Max operating current per luminaire²	8.86 A	8.52 A	8.06 A	7.71 A	7.39 A	6.40 A	5.11 A	4.67 A	4.43 A	4.27 A	3.70 A

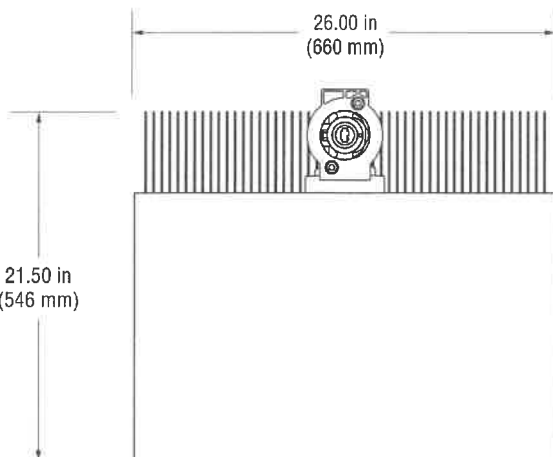
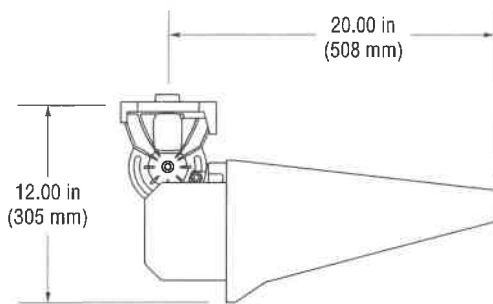
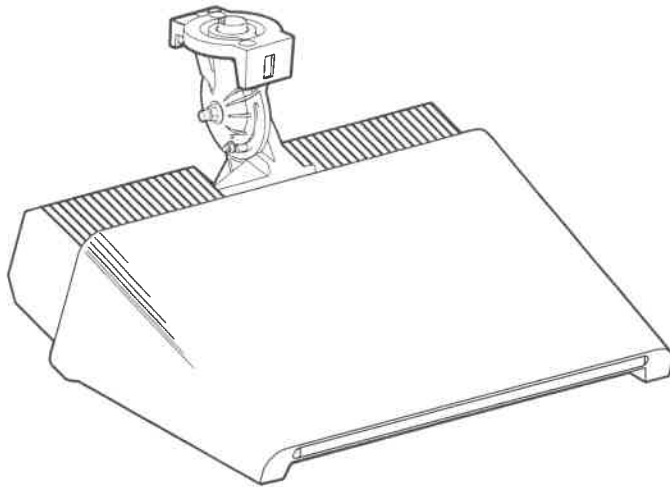
Footnotes:

- 1) Rated wattage is the power consumption, including driver efficiency losses, at stabilized operation in 25°C ambient temperature environment.
- 2) Operating current includes allowance for 0.90 minimum power factor, operating temperature, and LED light source manufacturing tolerances.

Notes

1. Use thermal magnetic HID-rated or D-curve circuit breakers.
2. See *Musco Control System Summary* for circuit information.





Luminaire Data

Weight (luminaire)	40 lb (18 kg)
UL listing number	E338094
UL listed for USA / Canada	UL1598 CSA-C22.2 No.250.0
CE Declaration	LVD, EMC, RoHS
Ingress protection, luminaire	IP65
Impact rating	IK07
Material and finish	Aluminum, powder-coat painted
Wind speed rating (aiming only)	150 mi/h (67 m/s)
UL, IEC ambient temperature rating, luminaire	50°C (122°F)

Photometric Characteristics

Projected lumen maintenance per IES TM-21-11

L90 (20k)	>120,000 h
L80 (20k)	>120,000 h
L70 (20k)	>120,000 h
Lumens ¹	65,600
CIE correlated color temperature	5700 K
Color rendering index (CRI)	75 typ, 70 min
LED binning tolerance	7-step MacAdam Ellipse

Footnotes:

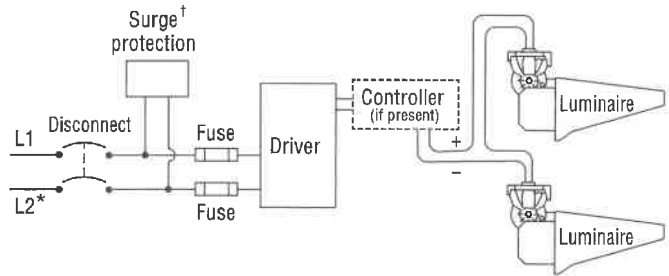
1) Incorporates appropriate dirt depreciation factor for life of luminaire.

Driver Data

Electrical Data

Rated wattage ¹	
Per driver	1160 W
Per luminaire	580 W
Number of luminaires per driver	2
Starting (inrush) current	<40 A, 256 μ s
Fuse rating	15 A
UL, IEC ambient temperature rating, electrical components enclosure	50°C (122°F)
Ingress protection, electrical components enclosure	IP54
Efficiency	95%
Dimming mode	optional
Range, energy consumption	20 – 100%
Range, light output	25 – 100%
Flicker	<2%
Total harmonic distortion (THD) at full output	<20%

Typical Wiring



* If L2 (com) is neutral then not switched or fused.
 † Not present if indoor installation.

	200 Vac 50/60 Hz	208 Vac 60 Hz	220 Vac 50/60 Hz	230 Vac 50 Hz	240 Vac 50/60 Hz	277 Vac 60 Hz	347 Vac 60 Hz	380 Vac 50/60 Hz	400 Vac 50 Hz	415 Vac 50 Hz	480 Vac 60 Hz
Max operating current per luminaire²	3.54 A	3.40 A	3.22 A	3.08 A	2.95 A	2.56 A	2.04 A	1.86 A	1.77 A	1.71 A	1.48 A

Footnotes:

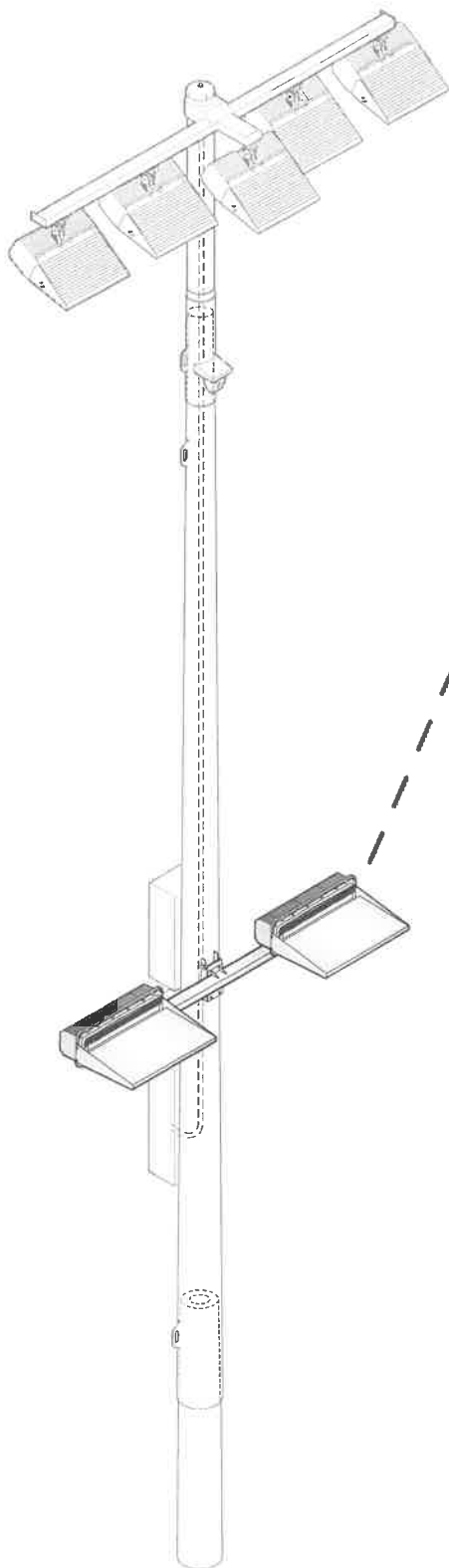
- 1) Rated wattage is the power consumption, including driver efficiency losses, at stabilized operation in 25°C ambient temperature environment.
- 2) Operating current includes allowance for 0.90 minimum power factor, operating temperature, and LED light source manufacturing tolerances.

Notes

1. Use thermal magnetic HID-rated or D-curve circuit breakers.
2. See *Musco Control System Summary* for circuit information.



Luminaire and Driver Components – TLC-BT-575



Luminaire Data

Weight (luminaire)	34 lb (15 kg)
UL listing number	E338094
UL Listed for USA / Canada	UL1598 CSA-C22.2 No.250.0
Ingress protection, luminaire	IP65
Material and finish	Aluminum, powder-coat painted
Wind speed rating (aiming only)	150 mi/h (67 m/s)
UL, IEC ambient temperature rating, luminaire	50°C (122°F)

Photometric Characteristics

Projected lumen maintenance per IES TM-21-11	
L90 (13.5k)	>81,000 h
L80 (13.5k)	>81,000 h
L70 (13.5k)	>81,000 h
CIE correlated color temperature	5700 K
Color rendering index (CRI)	75 typ, 70 min
Lumens ¹	52,000

Footnotes:

1) Incorporates appropriate dirt depreciation factor for life of luminaire.

All components from foundation to poletop are designed to work together in Light-Structure System™ to ensure reliable, trouble-free operation.

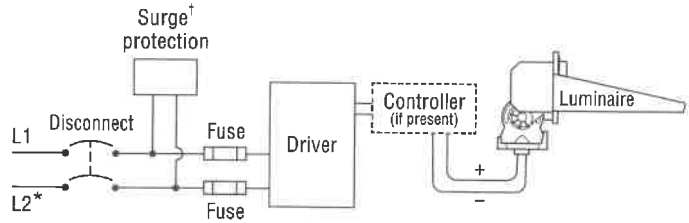
Luminaire and Driver Components – TLC-BT-575

Driver Data

Electrical Data

Rated wattage ¹	
Per driver	575 W
Per luminaire	575 W
Number of luminaires per driver	1
Starting (inrush) current	<40 A, 256 μs
Fuse rating	15 A
UL, IEC ambient temperature rating, electrical components enclosure	50°C (122°F)
Ingress protection, electrical components enclosure	IP54
Efficiency	95%

Typical Wiring



* If L2 (com) is neutral then not switched or fused.

† Not present if indoor installation.

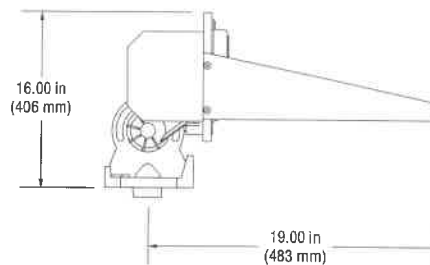
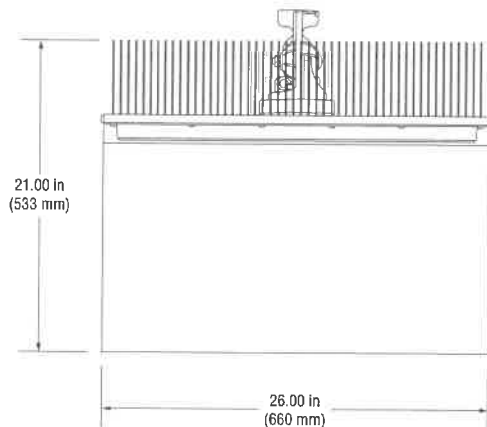
	200 Vac 50/60 Hz	208 Vac 60 Hz	220 Vac 50/60 Hz	230 Vac 50 Hz	240 Vac 50/60 Hz	277 Vac 60 Hz	347 Vac 60 Hz	380 Vac 50/60 Hz	400 Vac 50 Hz	415 Vac 50 Hz	480 Vac 60 Hz
Max operating current² per luminaire	3.48 A	3.35 A	3.16 A	3.03 A	2.90 A	2.51 A	2.01 A	1.83 A	1.74 A	1.68 A	1.45 A

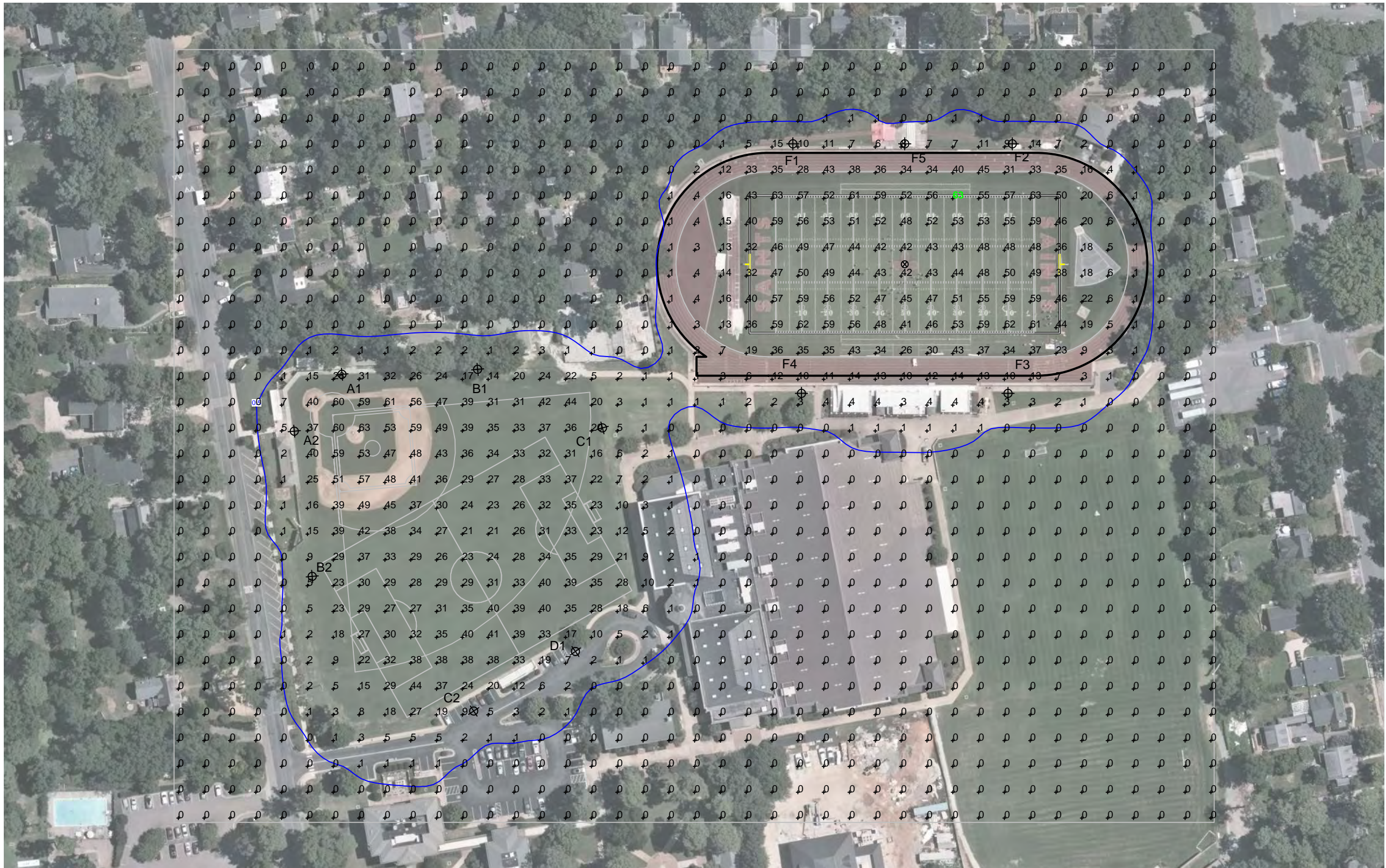
Footnotes:

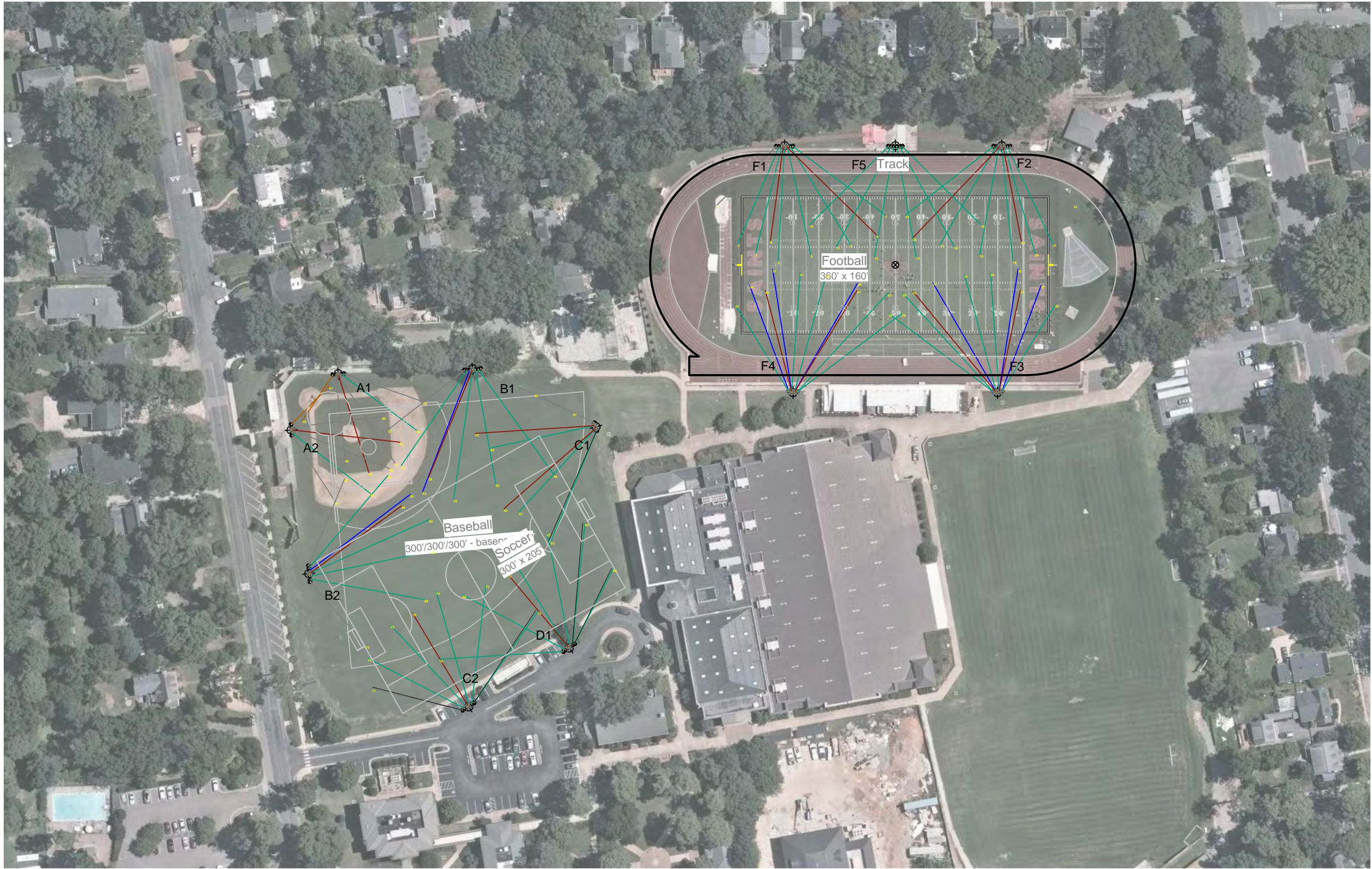
- 1) Rated wattage is the power consumption, including driver efficiency losses, at stabilized operation in 25°C ambient temperature environment.
- 2) Operating current includes allowance for 0.90 minimum power factor, operating temperature, and LED light source manufacturing tolerances.

Notes

1. Use thermal magnetic HID-rated or D-curve circuit breakers.
2. See Musco *Control System Summary* for circuit information.







Pole / Fixture Summary			
Pole ID	Pole Height	Mtg Height	Fixture Qty
A1-A2	60'	60'	1
		60'	4
		16'	1
B1-B2	70'	70'	5
		70'	2
		16'	1
C1	70'	70'	3
		70'	1
		16'	2
C2	70'	70'	6
		16'	1
D1	70'	70'	6
		16'	1
F1-F2	60'	60'	4
		60'	3
		16'	2
F3-F4	80'	80'	8
		16'	2
F5	60'	60'	6
12			92