



Commission of Architectural Review SUBMISSION APPLICATION

City of Richmond, Room 510 – City Hall
900 East Broad Street, Richmond, Virginia 23219
PHONE: (804) 646-6335 FAX: (804) 646-5789

12 COPIES OF SUPPORTING DOCUMENTATION ARE REQUIRED FOR PROCESSING YOUR SUBMISSION

LOCATION OF WORK: 807 N. 23rd St DATE: 8/1/14

OWNER'S NAME: Evolve Acquisitions, LLC TEL NO.: 804-991-4111

AND ADDRESS: 3420 Pump Rd Suite 169 EMAIL: DVK5FO@YAHOO.COM

CITY, STATE AND ZIPCODE Richmond, VA 23233

ARCHITECT/CONTRACTOR'S NAME: _____ TEL. NO. _____

AND ADDRESS: _____ EMAIL: _____

CITY, STATE AND ZIPCODE _____

Would you like to receive your staff report via email? Yes No

REQUEST FOR CONCEPTUAL REVIEW

I hereby request Conceptual Review under the provisions of Chapter 114, Article IX, Division 4, Section 114-930.6(d) of the Richmond City Code for the proposal outlined below in accordance with materials accompanying this application. I understand that conceptual review is advisory only.

APPLICATION FOR CERTIFICATE OF APPROPRIATENESS

I hereby make application for the issuance of a certificate under the provisions of Chapter 114, Article IX, Division 4 (Old and Historic Districts) of the Richmond City Code for the proposal outlined below in accordance with plans and specifications accompanying this application.

DETAILED DESCRIPTION OF PROPOSED WORK (Required):
STATE HOW THE DESIGN REVIEW GUIDELINES INFORM THE DESIGN OF THE WORK PROPOSED. (Include additional sheets of description if necessary, and 12 copies of artwork helpful in describing the project. The 12 copies are not required if the project is being reviewed for an administrative approval. See instruction sheet for requirements.)

Please see attached docs

Signature of Owner or Authorized Agent: Daniel V. Weyner
Name of Owner or Authorized Agent (please print legibly): DANIEL V. WEYNER

(Space below for staff use only) **RECEIVED**

Received by Commission Secretary Aug 05 2014 4:00 APPLICATION NO. _____
DATE _____ SCHEDULED FOR _____

Note: CAR reviews all applications on a case-by-case basis.

Daniil Kleyman
Evolve Development, Inc
3420 Pump Rd Suite 169
Richmond, VA 23233

August 1, 2014

To whom it may concern,

Attached you will find proposed architectural plans for a new duplex located at 807 N. 23rd st. The structure will be in full compliance with the Old and Historic District Design Review Guidelines. Furthermore, the new construction project will be in full compliance with the R-63 zoning requirements in Union Hill.

*Please note that this design is identical to the design for 805-805 ½ N. 23rd st which was approved by CAR in spring of 2014 and will break ground at the same time as this project. The 2 buildings will match in height, setback and design.

Setback drawing can be found on page C-1 of the attached drawings

Architectural Key Notes can be found on page A-3 of the attached drawings.

Context Drawing can be found on page C-1 of the attached drawings.

Siding and Exterior Trim will be fiber-cement (hardipanel). Siding will have a smooth, non-textured finish, with a 7" reveal.

Siding Color will be:

Woodland Cream - See attached

Exterior Doors will be painted 4-panel fiberglass doors, with a 4-light transom above. Color will be white.

Exterior Windows will be 2x2 SDL MW Jefferson Series 300 Double Hung window. Please see attached spec sheet.

Fascia boards will be fibercement, with wood corbels, all painted white.

Porch roof will be EPDM, with a black finish.

Main structure roof will be membrane roofing over 5/8" osb.

Front Columns will be plain round with Tuscan base and cap. Please see attached sheet.

For any additional questions prior to the CAR meeting in September, please feel free to contact me at 804-991-4111 or dvk5f@yahoo.com

Daniil V. Kleyman



[ENLARGE IMAGE](#)

BKT-8X17 BRACKET, Fypon Designer 16-5/8" H x 6-3/16" W x 8-3/16"

Crown-Molding.com is your online dealer for the Fypon BKT8X17 BRACKET in stock and ready to ship through out the USA and Canada.

[Visit Store](#)

PRICE: **\$51.99**

at [Decorative Crown Moldings](#)



MW JEFFERSON®
300 DOUBLE HUNG



STANDARD FEATURES

- ◆ Low-maintenance cellular PVC exterior components ready to accept acrylic latex paints
- ◆ 4-9/16" jamb eliminate need for drywall work; custom jamb extensions to 8-9/16"
- ◆ Classic double hung design with traditional brick muntin complements an array of architectural styles
- ◆ Paint-free all-sigl sash fully welded at the corners
- ◆ Energy-efficient Warm Edge Insulated Glass
- ◆ Low-maintenance cellular PVC exterior brick muntin
- ◆ Both sashes tilt in and remove for safe and easy cleaning of exterior glass
- ◆ Balances counter-balanced with quiet, adjustable springs for smooth up and down action
- ◆ Built weather-stripping at top, bottom and check rails for efficient performance and smooth, easy openings and closings

OPTIONS

Glass Options: Low-E, Low-E/Argon, Tinted, Low-E Tinted, Tempered and Obscure

Exterior Casings: 180 Brick Muntin (standard), 3-1/4" Williamsburg, 3-1/2" Flat, 5-1/2" Flat or 4-1/2" Wide Back Band, Bull Sill Nose

Balance Options: Compression standard, Easy-Tilt optional

Grille Options: Grille-between-the-glass (OBO) in flat 5/8", 7/8" styles, sculptured 5/8" and 1" contour styles, classic muntin bar appearance with 1-1/4" simulated-divided-lite (SDL)

Product Configuration: Twin, Side Lites, Stationary, Combinations, Bags & Boxes, Circle Heads, Quarter Circles, Ellipticals, Transoms, True Radius, Arches and a wide variety of architectural shapes

TESTING & PERFORMANCE DATA

Tested in accordance with ASTM standards, rated in accordance with International Residential Code, and witnessed by an independent AAMA accredited lab.

NFRC Thermal Performance:

	U Value ²	R Value	SHGC ^{3*}	VLT ^{4**}
3/4" Clear	0.47	2.13	0.60	0.62
3/4" Low-E	0.34	2.94	0.35	0.53
3/4" Low-E/Argon	0.30	3.33	0.35	0.53

* Solar Heat Gain Coefficient ** Visible Light Transmission



© January 2007 MW Windows & Doors, Inc. All Rights Reserved

Clear-View™ is a registered trademark of MW Windows & Doors, Inc.



WINDOWS & DOORS®

MW Windows & Doors | P.O. Box 559, Rocky Mount, VA 24151 | (800) 999-8400 or (540) 483-0211 | www.mwwindows.com



* US Markets: Midwest, Northeast and Mid Atlantic

* Canada Markets: Ontario, Quebec

The following James Hardie® Siding products are available in these ColorPlus® Colors: HardiePlank® Lap Siding, HardiePanel® Vertical Siding, HardieShingle® Siding, HardieTrim® Batten Boards and Artisan® Lap Siding.

					
Arctic White JH10-20	Navajo Beige JH30-10	Cobble Stone JH40-10	Soft Green JH60-10	Light Mist JH70-10	
					
Tuscan Gold JH80-20	Sail Cloth JH20-10	Sandstone Beige JH30-20	Monterey Taupe JH40-20	Heathered Moss JH50-20	Boothbay Blue JH70-20
					
Chestnut Brown JH80-30	Woodland Cream JH10-30	Autumn Tan JH20-20	Woodstock Brown JH30-30	Mountain Sage JH50-30	Evening Blue JH70-30
					
Countrylane Red JH90-20	Harris Cream JH80-10	Khaki Brown JH20-30	Timber Bark JH40-30	Parkside Pine JH60-30	Iron Gray JH90-30

The following James Hardie® Products are available in these ColorPlus® Colors: HardieTrim® Boards, HardieSoffit® Panels and Artisan® Accent Trim.

				
Arctic White JH10-20	Sail Cloth JH20-10	Navajo Beige JH30-10	Autumn Tan JH20-20	Sandstone Beige JH30-20
				
Cobble Stone JH40-10	Monterey Taupe JH40-20	Khaki Brown JH20-30	Woodstock Brown JH30-30	Timber Bark JH40-30

Note: Colors shown are as accurate as printing methods will permit. Please see actual product sample for true color. Product and color availability vary by region and are subject to change.



TWO-FAMILY RESIDENCE at 807 NORTH 23TH STREET RICHMOND, VA 23223

DRAWING INDEX:

T-1	TITLE SHEET, SITE SURVEY, BUILDING INFORMATION, GENERAL NOTES
C-1	CONTEXT SET BACK PLANS & ELEVATIONS
A-1	FOUNDATION PLAN, ROOF PLAN, & FOUNDATION DETAIL
A-2	1ST FLOOR PLAN, 2ND FLOOR PLAN, SCHEDULES & WALL TYPES
A-3	EXTERIOR ELEVATIONS

BUILDING INFORMATION:

CONSTRUCTION CODE: VCC 2009, IRC 2009
 CONSTRUCTION TYPE: V-B
 BUILDING AREA (INCLUDING EXTERIOR WALL):
 1ST FLOOR: 1,276 SF
 2ND FLOOR: 1,276 SF
 TOTAL: 2,552 SF
 STORIES ABOVE GRADE: 2
 HEIGHT ABOVE GRADE: 27'+/-
 USE GROUP: TWO-FAMILY
 NUMBER OF UNITS: 2
 SPRINKLER SYSTEM: NO
 FIRE DETECTION: YES, HARD-WIRED SMOKE DETECTION SYSTEM THROUGHOUT FIRE AREA.

GENERAL STRUCTURAL NOTE: STRUCTURAL ITEMS ARE SHOWN FOR REFERENCE. ALL STRUCTURAL ELEMENTS ARE TO BE SPECIFIED/APPROVED BY A STRUCTURAL ENGINEER PRIOR TO CONSTRUCTION.

General Conditions:

Contractor to carefully review the contract documents and existing conditions of the job site to achieve full comprehension of the project renovation requirements. Contractor to include cost for all work described and required to satisfy the intent of the contract documents and required by existing conditions. Architect to be notified of conflicts between existing conditions and new work conflicts or omissions in the drawings and any limitations related to the execution of the work. In the case of conflicts within the contract documents, the strictest condition or requirement is to be included in the cost and scope of work. Contractor shall not proceed with the work, involved in such errors, omissions, or discrepancies until written instructions are given by the Architect. The Contractor shall be responsible to correct all work erroneously installed prior to receiving said instructions.

All work shall be in accordance with the Virginia Statewide Uniform Building Code and International Residential Code, latest editions, to the satisfaction of authorities having jurisdiction. All manufactured products shall be used per manufacturer's written specifications. Contractor to apply for, pay for and obtain all permits, fees and inspections by authorities having jurisdiction over the work. Copies of all transactions shall be made available to the owner. Notify the architect of any variance with current codes. Contractor shall be responsible for compliance with public authorities regarding the performance of work.

Contractor to make available to the owner a construction schedule along with a schedule of values prior to commencement of work.

Contractor shall supply all labor, materials, equipment, tools, handling, transportation, debris removal, and all related costs and services necessary for the execution of the work.

Work is to be executed by the general contractor unless provisions are made otherwise. References to "contractor" are to include general contractor and subcontractors. The contractor shall be solely responsible for and have control over all construction means and methods required by the contract documents including coordination of work. The contractor is to be responsible for acts and omissions of the contractor's employees, subcontractors and their employees, and any other persons performing any of the work under contract with the contractor. The architect will not be responsible for errors, omissions or delays caused by the contractor.

Field Verifications: Verify all dimensions in the field before performing the work. The Contractor will be responsible to correct any work that is done in error because of failure to verify or clarify dimensions.

Substantial changes to the drawings or actual work are to be issued by the architect with the owner's approval.

Construction Coordination:

Contractor is to coordinate and protect all new and existing work in place when exposed to potential damage by work of multiple trades. The Contractor shall coordinate construction of all required mechanical, electrical and plumbing.

All work and improvements shall be in strict accordance with the current codes adopted by the local jurisdictions and approved by the local building inspection office. All work is to comply with applicable provisions of the the occupational safety and health act- OSHA.

The contractor is to keep the premises free from excessive accumulation of waste materials or rubbish caused by construction and will remove it from the site in a timely fashion or as directed by the owner. Upon completion of the project, the contractor shall remove all remaining materials, waste or otherwise, as well as all construction equipment. The work and support areas shall be left broom clean.

Product information and samples:

Shop-drawings and all other submittals are to be examined by the general contractor and checked for compliance with contract requirements.

Quality Control:

Complete all construction and install materials per manufacturer's specifications and instructions and in a manner consistent with industry standards of workmanship and the products selected.

Material Acquisition:

Protect products during all stages of handling to prevent damage. Comply with all requirements of specified product and manufacturer's instructions to ensure optimum condition of final installed product.

Work Conditions:

Create appropriate environmental conditions for installing or applying finishes to the products specified.

Prior to product installation, evaluate all existing surfaces to receive product per product manufacturer's recommendation. Installation shall imply acceptance of substrate and shall not be grounds for claims against improper performance of installed materials.

Keep exits, exit lighting, fire protection and life safety devices operational during construction. Keep means of egress clear of all tools, materials and debris.

Guarantee:

Warrant all materials, finishes and equipment supplied under this contract shall be new, unless otherwise specified, and that all work shall be of good quality, free from defects and in compliance with the contract documents. For one year beginning at the date of substantial completion, contractor will promptly remedy work found not to be in compliance with the contract documents. Contractor shall assume all costs for corrections.

Transfer all manufacturer warranties, product literature, maintenance requirements and schedules to the owner at completion of the project.

Products:

Contractor to provide products specified in the following specifications or in the other contract documents. If no product is specified, contractor shall provide a match in quality and appearance to typical materials used in other similar buildings.

Construction execution:

Dimensions to be verified in the field. If dimensions can not be verified or the verification would cause a delay in the progress of work, contractor shall guarantee dimensions to the subcontractor for coordination. Drawings may be scaled for reference only.

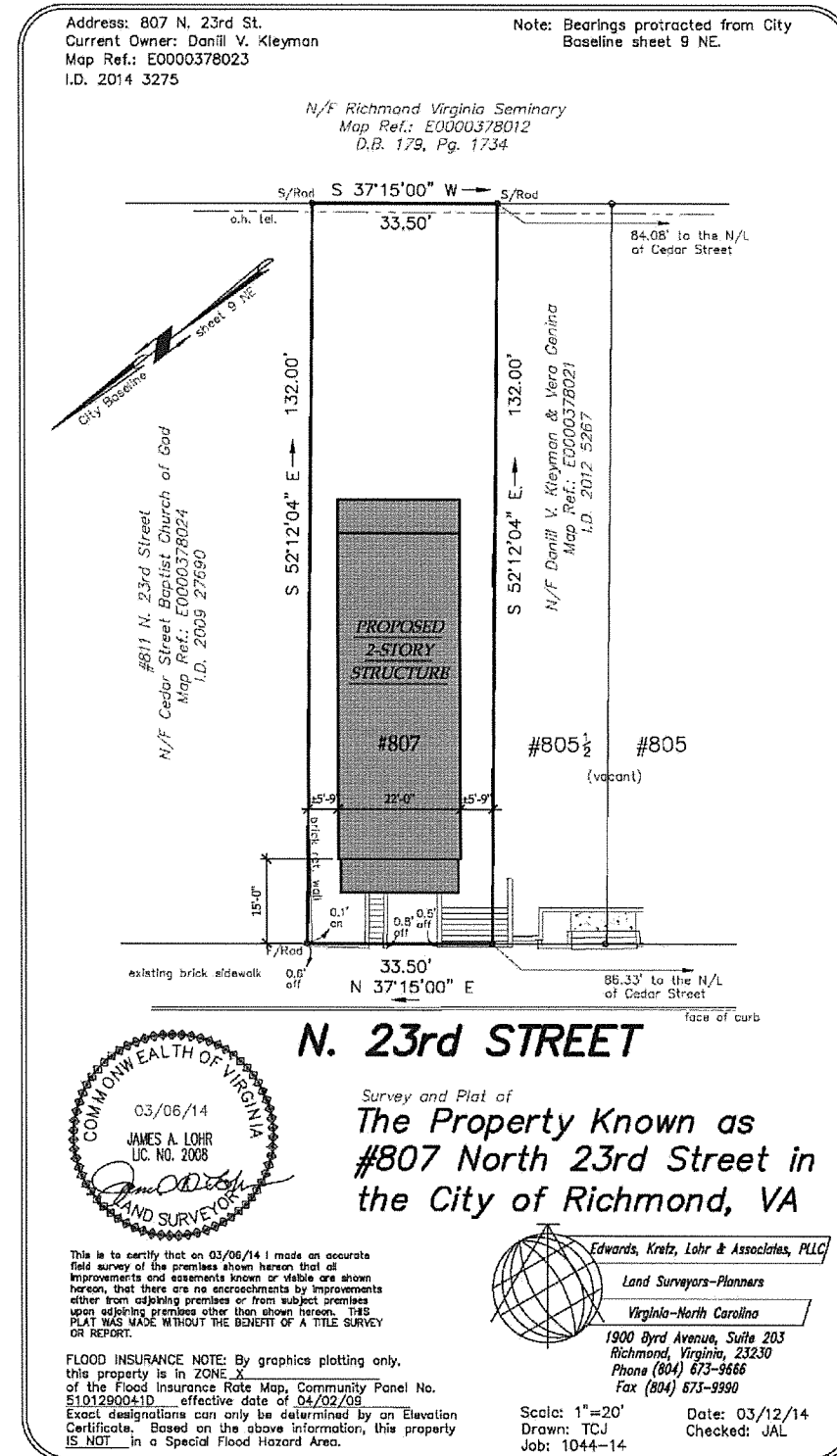
Wall partitions, unless noted otherwise, shall be located as dimensioned and shown on the construction plans and details. Dimensions are to faces of finished partitions. Actual partition thicknesses are used. Contractor shall verify dimensions. All vertical dimensions are given from top of finished flooring unless otherwise noted.

Contractor shall prepare concrete floors, if applicable, to be a smooth uniform surface. All floor anchors and penetrations shall be coordinated by contractor as part of the floor preparation.

Clean all surfaces and equipment 24 hours prior to occupancy. Vacuum or mop, as required, all floors and clean windows and glazing.

The date when the project is available for owner occupancy will be known as substantial completion. Additional touch-up or minor installation work may be incomplete.

Construct all items in strict adherence to the approved shop drawings and the referenced product standards. Connections of all parts being accurately and neatly fitted and securely fastened together.



EVOLVE DEVELOPMENT, INC.
 3420 PUMP RD SUITE 169 RICHMOND, VA 23233
 dvk5f@yahoo.com 804-991-4111

807 N 23TH ST
 RICHMOND, VA 23223
 TITLE SHEET / INDEX & SITE PLAN

DATE: 07-31-14

T1



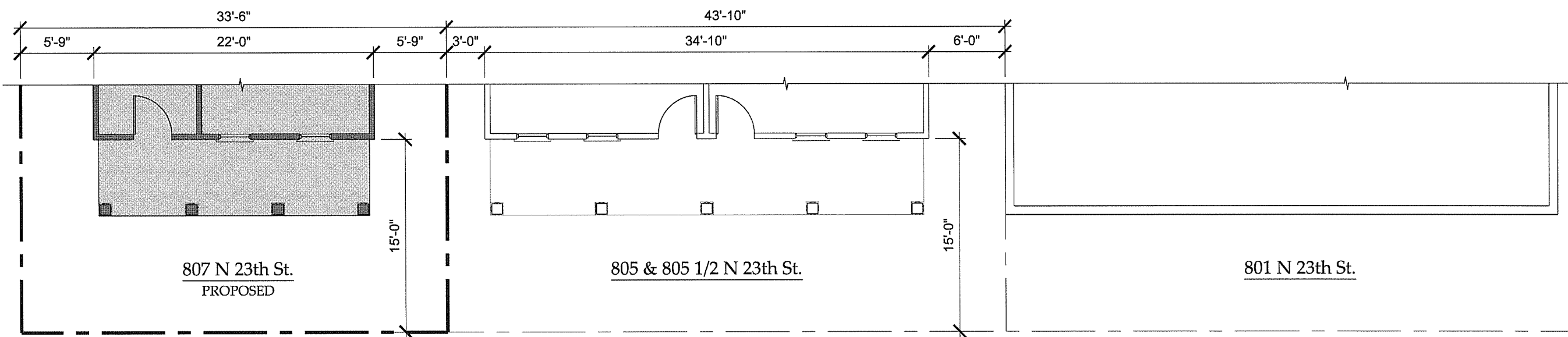
807 N 23th St.
PROPOSED

805 & 805 1/2 N 23th St.

801 N 23th St.

CONTEXT ELEVATIONS

SCALE: 1/4"=1'-0"



807 N 23th St.
PROPOSED

805 & 805 1/2 N 23th St.

801 N 23th St.

CONTEXT SETBACK PLANS

SCALE: 1/4"=1'-0"

EVOLVE DEVELOPMENT, INC.
 3420 PUMP RD SUITE 169 RICHMOND, VA 23233
 dvk5f@yahoo.com 804-991-4111

807 N 23TH ST
 RICHMOND, VA 23223

CONTEXT SET BACK PLANS & ELEVATIONS

DATE: 07-31-14

C-1

ARCHITECTURAL KEY NOTES:

1. FOUNDATION: CMU FINISHED WITH PARING SEE WALL DETAIL A-2 FOR ADDITIONAL INFORMATION.
2. PORCH GROUND SURFACE: 4" REINFORCED SLAB, -4" BELOW INTERIOR SLAB.
3. RAILING: STAINED WOOD, NO RAILING AT GROUND FLOOR.
4. FRONT COLUMNS: FIBERGLASS DORIC COLUMNS PAINTED, 4X4 INTERIOR POST.
5. PORCH ROOFING: MEMBRANE, BLACK FINISH.
6. WINDOWS: WHITE VINYL- DOUBLE PANE- SEE WINDOW SCHEDULE.
7. DOORS: PAINTED FIBERGLASS-SEE DOOR SCHEDULE.
8. SIDING AND TRIM: FIBER-CEMENT ('HARDIPANEL' MATERIAL OR EQUAL).
9. FASCIA BOARDS: FIBER-CEMENT ('HARDIPANEL' MATERIAL OR EQUAL).
10. CORBELS: PAINTED WOOD.
11. ROOF FLASHING: METAL, COLOR TO MATCH FASCIA BOARD.
12. UPPER ROOF: MEMBRANE ROOFING OVER 1/2" OSB SHEATHING ON TRUSSES PER MANUFACTURER.
13. REAR PORCH STRUCTURE: PRESSURE TREATED STAINED, VERTICAL 6X6 POSTS.
14. TURNED DOWN PORCH FOUNDATION: PARGED TO MATCH FOUNDATION. 12" CONTINUOUS CONCRETE FOOTING, 18" BELOW GRADE MIN. (2) # 4 REBAR HORIZONTAL.



EVOLVE DEVELOPMENT, INC.
 3420 PUMP RD SUITE 169 RICHMOND, VA 23233
 dvk5f@yahoo.com 804-991-4111

807 N 23TH ST
 RICHMOND, VA 23223
 EXTERIOR ELEVATIONS

DATE: 07-31-14

A-3