



# Dominion Energy

## Signage Recommendations 8th & Main - Richmond

707 East Main Street  
Richmond, VA

Date:	Description of Revision
02/23/17	Initial Design
02/23/17	R1 Options
04/03/17	R1 To Be 12'-6" Illuminated Rooftop Sign with 3'-7" Letters

SSG.

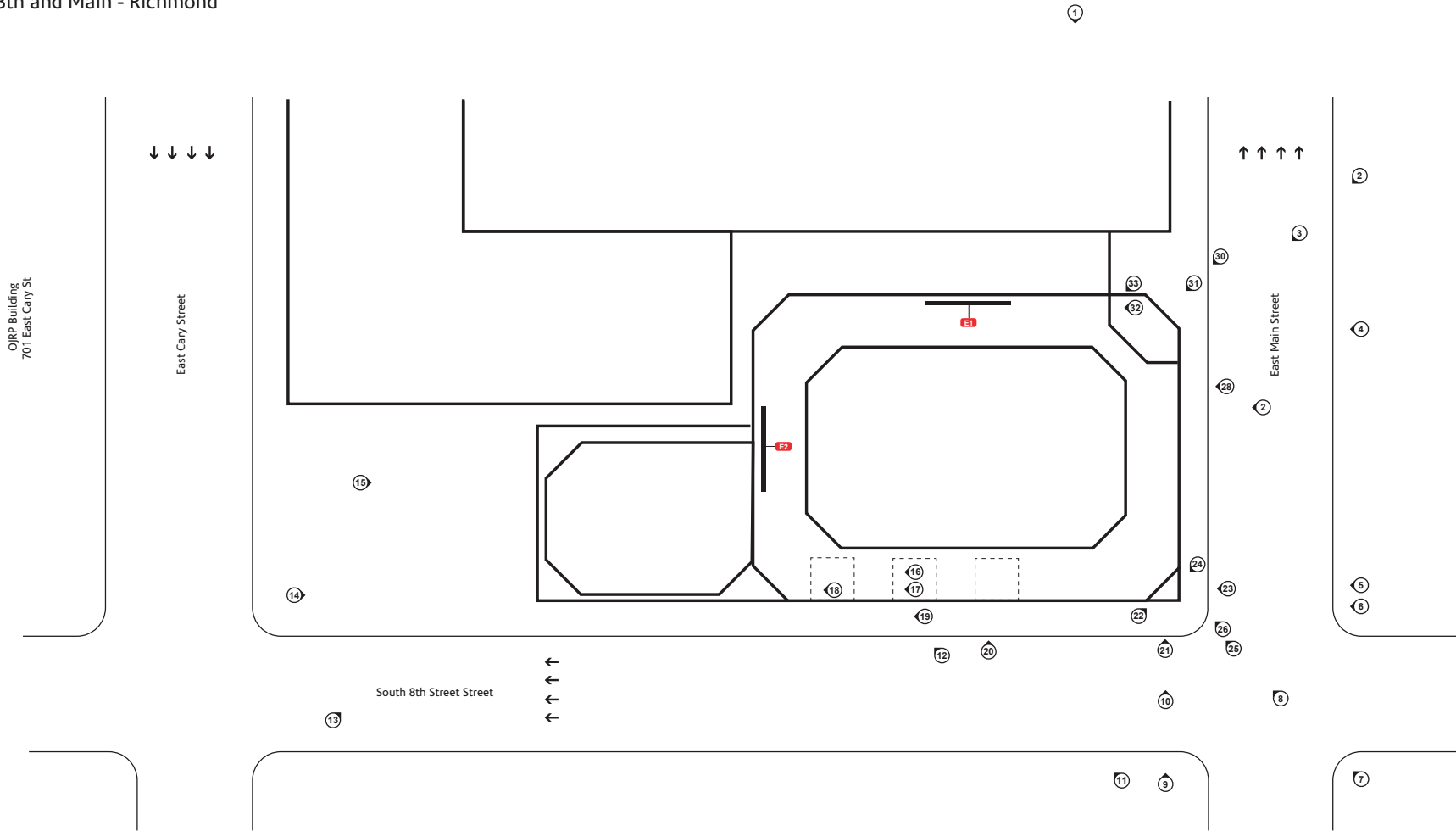
# Overview

8th and Main - Richmond



# Site Plan

8th and Main - Richmond



# List of Signs

8th and Main - Richmond

## Existing Sign

- E1** 12'-6" Logo with 4'-0" Illuminated Rooftop Letters
- E2** 12'-6" Logo with 4'-0" Illuminated Rooftop Letters

## Recommendation

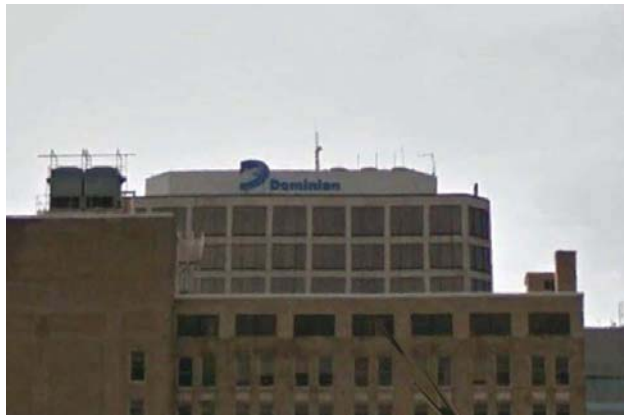
- R1** 12'-6" Illuminated Rooftop Sign with 3'-7" Letters
- R2** Remove, Do Not Replace

# Recommended Signs

8th and Main - Richmond

## Existing Sign

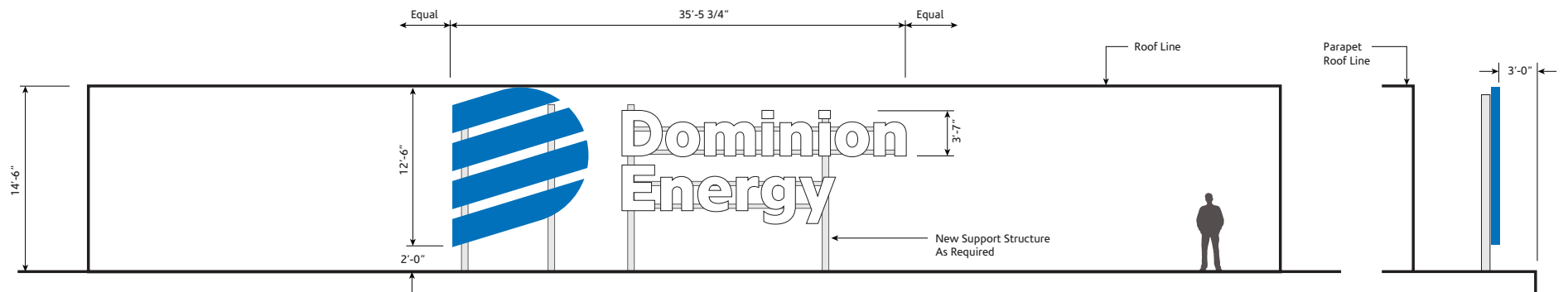
**E1** 12'-6" Logo with 4'-0" Illuminated Rooftop Letters



## Recommendation

**R1** 12'-6" Illuminated Rooftop Sign with 3'-7" Letters

Note: Sign to be centered on west elevation and not to exceed roof line



**R1** 12'-6" Skyline Building Sign with 3'-7" Letters (West Elevation)

Scale: 1/8"=1'-0"

## Recommended Signs

8th and Main - Richmond

### Existing Sign

**E2** 12'-6" Logo with 4'-0" Illuminated Rooftop Letters

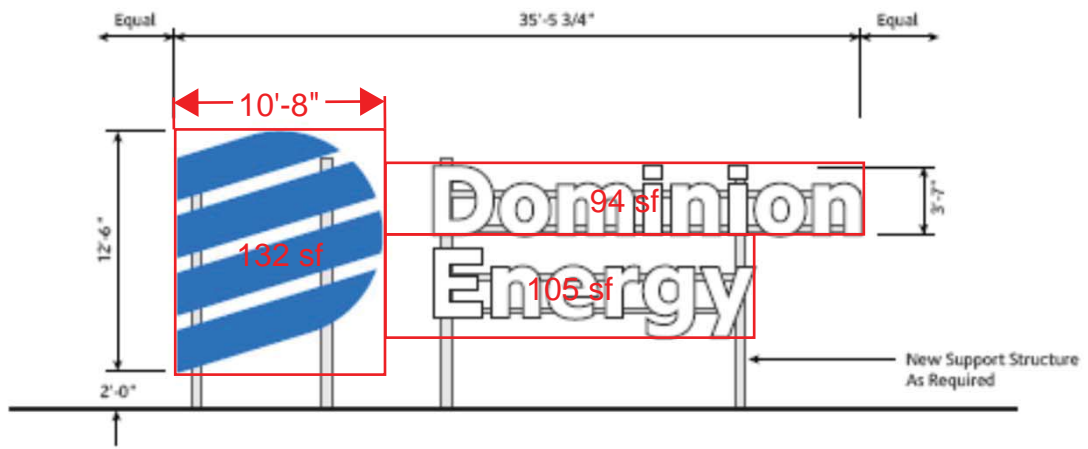


### Recommendation

**R2** Remove, Do Not Replace  
Support Structure To Be Removed to 1'-0" Above Roof

709 E Main St

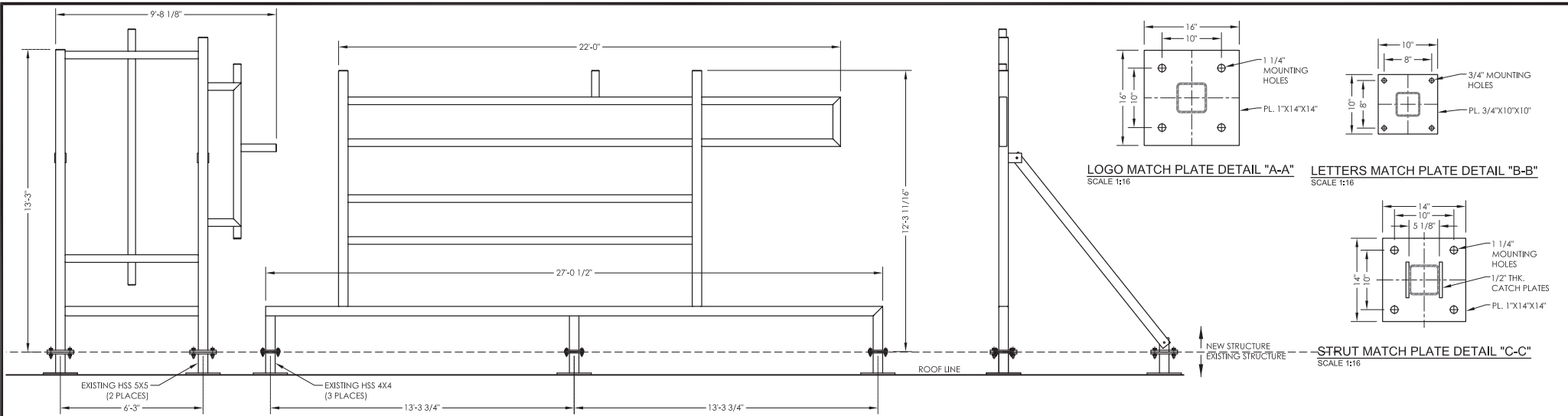




Custom Illuminated Logo

Qty: 1

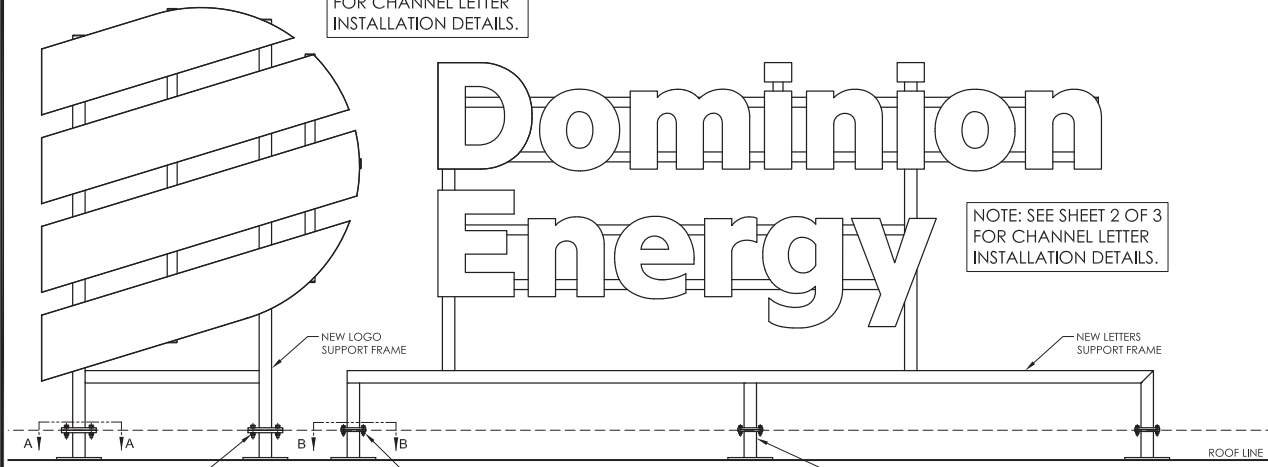




NOTE: SEE SHEET 3 OF 3 FOR CHANNEL LETTER INSTALLATION DETAILS.

FRONT VIEW (SUPPORT FRAME)  
SCALE 1:50

SIDE VIEW (FRAMEWORK)  
SCALE 1:16



NOTE: SEE SHEET 2 OF 3 FOR CHANNEL LETTER INSTALLATION DETAILS.

(4) 1" DIA. MOUNTING BOLTS (HI-STRENGTH A325)  
(8 TOTAL @ LOGO SIGN SUPPORT)

(4) 5/8" DIA. MOUNTING BOLTS (HI-STRENGTH A325)  
(12 TOTAL @ CHANNEL LETTER SUPPORT)

FRONT VIEW (SUPPORT FRAME w/SIGNS)  
SCALE 1:50

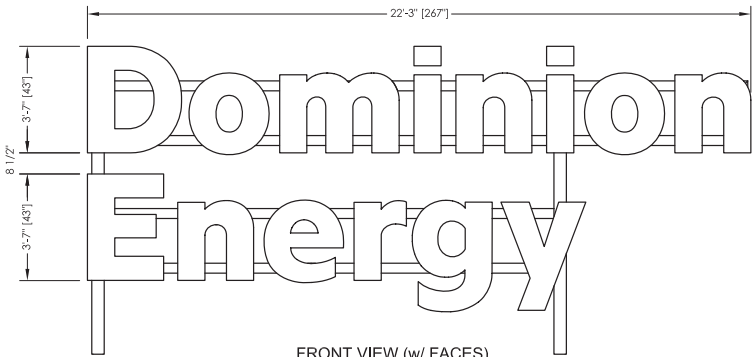
SIDE VIEW (SUPPORT FRAME w/SIGNS)  
SCALE 1:50



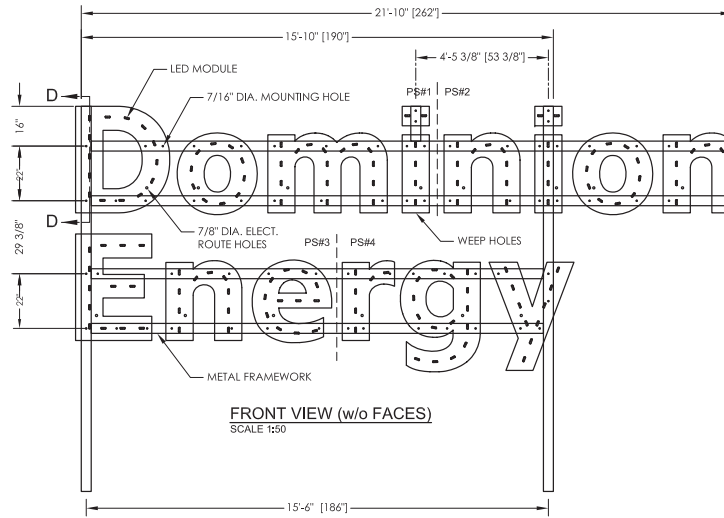
INSTALLATION DRAWING		REVISIONS				DRAWN BY		SITE		TITLE	
THESE DRAWINGS ARE THE EXCLUSIVE PROPERTY OF EVERBRITE, LLC. USE OF, OR DUPLICATION IN ANY MANNER WITHOUT EXPRESS WRITTEN PERMISSION OF EVERBRITE, LLC IS STRICTLY PROHIBITED.		REV	DATE	BY	CHK	SAJ	SAJ	DE709	DOMINION ENERGY STRUCTURAL SUPPORT FRAME FOR FLEX FACE I.D. SIGN & CHANNEL LETTERS		
		A	5-25-17	SAJ	CHK		CJB	709 EAST MAIN ST. RICHMOND, VA 23219	PROJECT NO.	DRAWING NO.	REV
								AS SHOWN	SHEET	1 OF 3	
									363029	IN363029A1	A

DRAWN BY	SAJ	SITE	DE709 709 EAST MAIN ST. RICHMOND, VA 23219	
DATE	5-25-17	CHECKED BY	CJB	
DATE	5-25-17	SCALE	AS SHOWN	SHEET 1 OF 3

PROJECT NO.	DRAWING NO.	REV
363029	IN363029A1	A

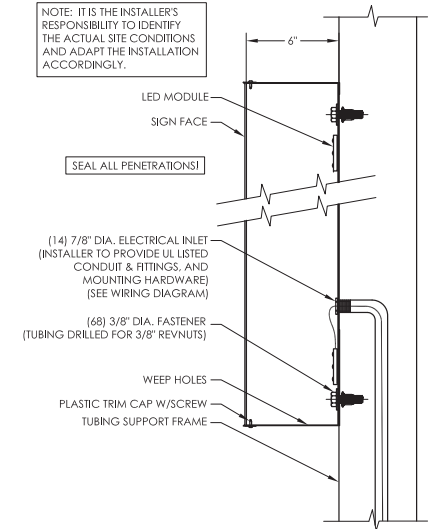


FRONT VIEW (w/ FACES)  
SCALE 1:50

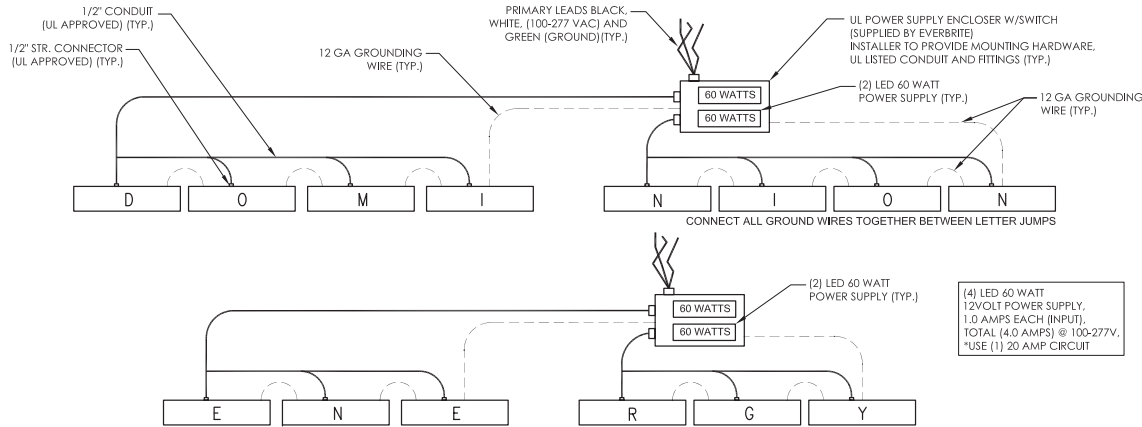


FRONT VIEW (w/o FACES)  
SCALE 1:50

NOTE: IT IS THE INSTALLER'S RESPONSIBILITY TO IDENTIFY THE ACTUAL SITE CONDITIONS AND ADAPT THE INSTALLATION ACCORDINGLY.



WALL SECTION "D-D"  
SCALE 1:8



WIRING DIAGRAM  
SCALE 1:50

**GENERAL NOTES**  
INSTALLER TO PROVIDE COMPLETION PHOTOS OF MOUNTING/CONNECTION POINTS, WIRE ROUTING AND OVERALL ELEVATION.

THIS SIGN IS INTENDED TO BE INSTALLED IN ACCORDANCE WITH THE REQUIREMENTS OF ARTICLE 600 OF THE NATIONAL ELECTRIC CODE AND/OR OTHER APPLICABLE LOCAL CODES. THIS INCLUDES PROPER GROUNDING AND BONDING OF THE SIGN.

INSTALLER TO VERIFY SIGN IS PROPERLY INSTALLED, CONNECTED AND GROUNDDED.

THIS DRAWING IS FOR INSTALLATION PURPOSES ONLY AND NOT TO BE USED FOR MANUFACTURING.

**INSTALLATION INSTRUCTIONS**

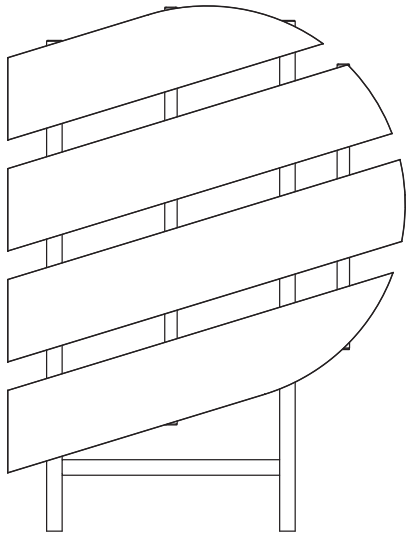
1. OPEN PACKAGING CAREFULLY AND INSPECT FOR DAMAGE. IF DAMAGE IS FOUND, CLAIM MUST BE FILED WITHIN 5-DAYS WITH SHIPPING AGENT.
2. FILL ALL HOLES WITH SILICONE PRIOR TO MOUNTING THE SIGN.
3. ALIGN LETTERS TO MATCHING HOLES WHILE INSERTING FASTENERS THROUGH LETTERS INTO REVNUTS.
4. MAKE FINAL ELECTRICAL HOOK UP TO PRIMARY WIRING OF POWER SUPPLIES THROUGH DRILLED ELECTRICAL HOLES.
5. TEST LIGHT FOR PROPER FUNCTION AND ILLUMINATION.
6. PERFORM TOUCH-UP AS REQUIRED.
7. CLEAN INSTALLATION WORK SITE OF ALL EXCESS MATERIALS AND DEBRIS. DO NOT DISCARD ANY MATERIAL OR DEBRIS INTO ON SITE DUMPSTERS.



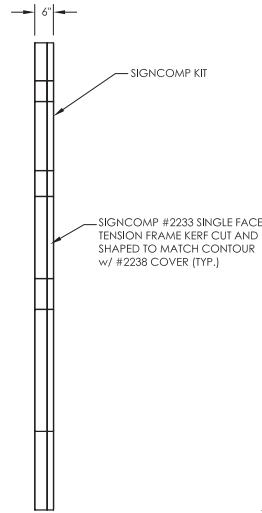
INSTALLATION DRAWING		REV	DATE	BY	CHK	DESCRIPTION
A	5-25-17	SAJ	CJB			RELEASED FOR INSTALLATION

DRAWN BY	SAJ	SITE	DE709 709 EAST MAIN ST. RICHMOND, VA 23219
DATE	5-25-17	CHECKED BY	CJB
DATE	5-25-17	SCALE	AS SHOWN
		SHEET	2 OF 3

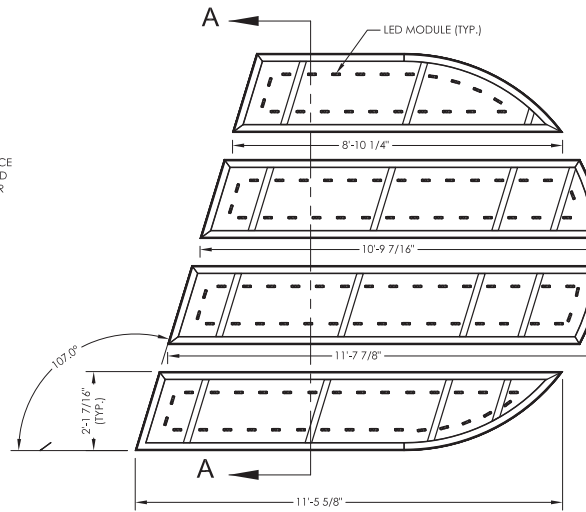
TITLE	DOMINION ENERGY 43" X 267" LED CHANNEL LETTER INSTALLATION TO SUPPORT FRAME		
PROJECT NO.	363029	DRAWING NO.	IN363029A2
REV			A



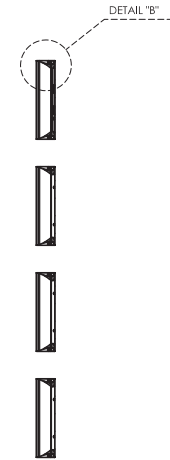
FRONT VIEW (w/ FACES)  
SCALE 1:40



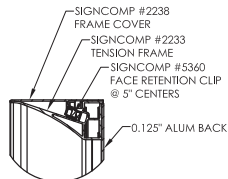
SIDE VIEW  
SCALE 1:40



FRONT VIEW (w/o FACES)  
SCALE 1:40



SECTION "A-A"  
SCALE 1:40



DETAIL "B"  
SCALE 1:8

- FLEX SIGN SPECIFICATIONS**
1. AREA OF SIGN - SQUARED: 133.3 SQ. FT.  
AREA OF SIGN - ACTUAL: 81.0 SQ. FT.
  2. LAMPS: SLOAN PRISM 6500K LED (1115)
  3. POWER SUPPLY: [4] SLOAN MOD-60 60W
  4. 4.0 AMPS @ 120VAC
  5. (1) 20 AMP CIRCUIT, 60 HZ UL 48 & NEC COMPLIANT
  6. SIGN IS TO BE WIRED WITH 12 GAGE MTW WIRE. SIGN MUST BE GROUNDED WITH 12 GAGE GREEN WIRE.

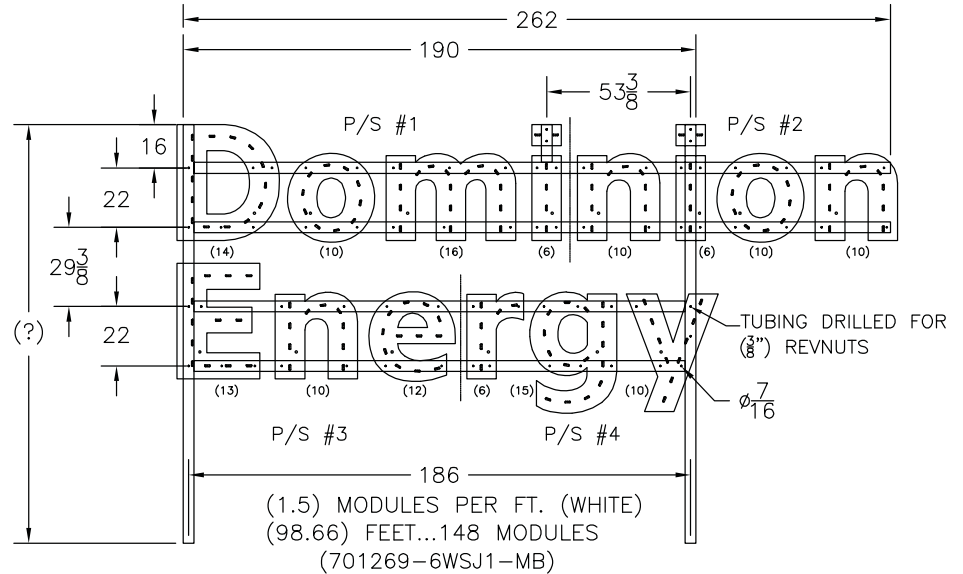
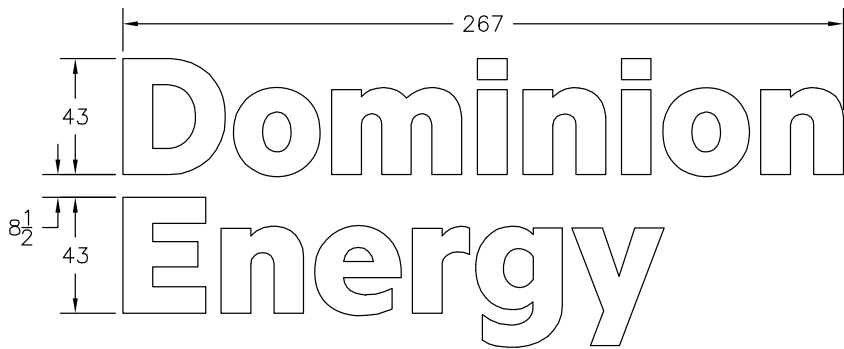
- GENERAL NOTES**
- INSTALLER TO PROVIDE COMPLETION PHOTOS OF MOUNTING/CONNECTION POINTS, WIRE ROUTING AND OVERALL ELEVATION.
- THIS SIGN IS INTENDED TO BE INSTALLED IN ACCORDANCE WITH THE REQUIREMENTS OF ARTICLE 600 OF THE NATIONAL ELECTRIC CODE AND/OR OTHER APPLICABLE LOCAL CODES. THIS INCLUDES PROPER GROUNDING AND BONDING OF THE SIGN.
- INSTALLER TO VERIFY SIGN IS PROPERLY INSTALLED, CONNECTED AND GROUNDED.
- THIS DRAWING IS FOR INSTALLATION PURPOSES ONLY AND NOT TO BE USED FOR MANUFACTURING.
- INSTALLATION INSTRUCTIONS**
1. OPEN PACKAGING CAREFULLY AND INSPECT FOR DAMAGE. IF DAMAGE IS FOUND, CLAIM MUST BE FILED WITHIN 5-DAYS WITH SHIPPING AGENT.
  2. FILL ALL HOLES WITH SILICONE PRIOR TO MOUNTING THE SIGN.
  3. ALIGN SIGN FRAME TO MATCHING HOLES WHILE INSERTING FASTENERS THROUGH FRAME INTO REYNOLTS.
  4. ATTACH FLEX FACES PER FLEX INSTRUCTIONS.
  5. MAKE FINAL ELECTRICAL HOOK UP TO PRIMARY WIRING OF POWER SUPPLIES THROUGH DRILLED ELECTRICAL HOLES.
  6. TEST LIGHT FOR PROPER FUNCTION AND ILLUMINATION.
  7. PERFORM TOUCH-UP AS REQUIRED
  8. CLEAN INSTALLATION WORK SITE OF ALL EXCESS MATERIALS AND DEBRIS. DO NOT DISCARD ANY MATERIAL OR DEBRIS INTO ON SITE DUMPSTERS.



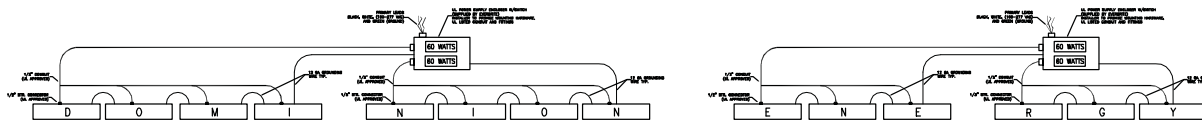
INSTALLATION DRAWING		DATE	BY	CHK	DESCRIPTION
REV	A	5-25-17	SAJ	CJB	RELEASED FOR INSTALLATION

DRAWN BY	SAJ	SITE	DE709 709 EAST MAIN ST. RICHMOND, VA 23219
DATE	5-25-17	SCALE	AS SHOWN
CHECKED BY	CJB	SHEET	3 OF 3
DATE	5-25-17		

TITLE	DOMINION ENERGY 151" X 128" FLEX FACE I.D. SIGN INSTALLATION TO SUPPORT FRAME		
PROJECT NO.	363029	DRAWING NO.	IN363029A3
REV	A		



\*MODULAR 60, WET LOCATION, POWER SUPPLIES



(4) LED 60 WATT POWER SUPPLIES  
 1.0 AMPS EACH (INPUT)  
 TOTAL (4.0 AMPS) @100-277V  
 \*USE (1) 20 AMP CIRCUIT

AS INSTALLATIONS WILL VARY GREATLY FROM LOCATION TO LOCATION, IT IS IMPOSSIBLE TO PROVIDE SPECIFIC INSTALLATION INFORMATION. TYPICAL INSTALLATION WILL INCLUDE A TOTAL OF (68) 7/16" AND (14) 7/8" POWER HOLE LOCATIONS, UTILIZING 3/8" (SIZE) NUTS, BOLTS, LAGS, SHIELDS, ETC. (NOT PROVIDED).

NOTE: FRANCHISEE IS RESPONSIBLE FOR PROVIDING A POWER SOURCE TO THE SIGN

	THICK	COLOR
FACE	.177 POLY	#7328 WHITE
BACK	.080 ALUM	WHITE
TRIMCAP	1"	WHITE
LED	N/A	SLOAN PRISM WHITE, 6500K
RETURN	.040 ALUM	WHITE
REMOTE, ENCLOSED POWER SUPPLIES (4)		

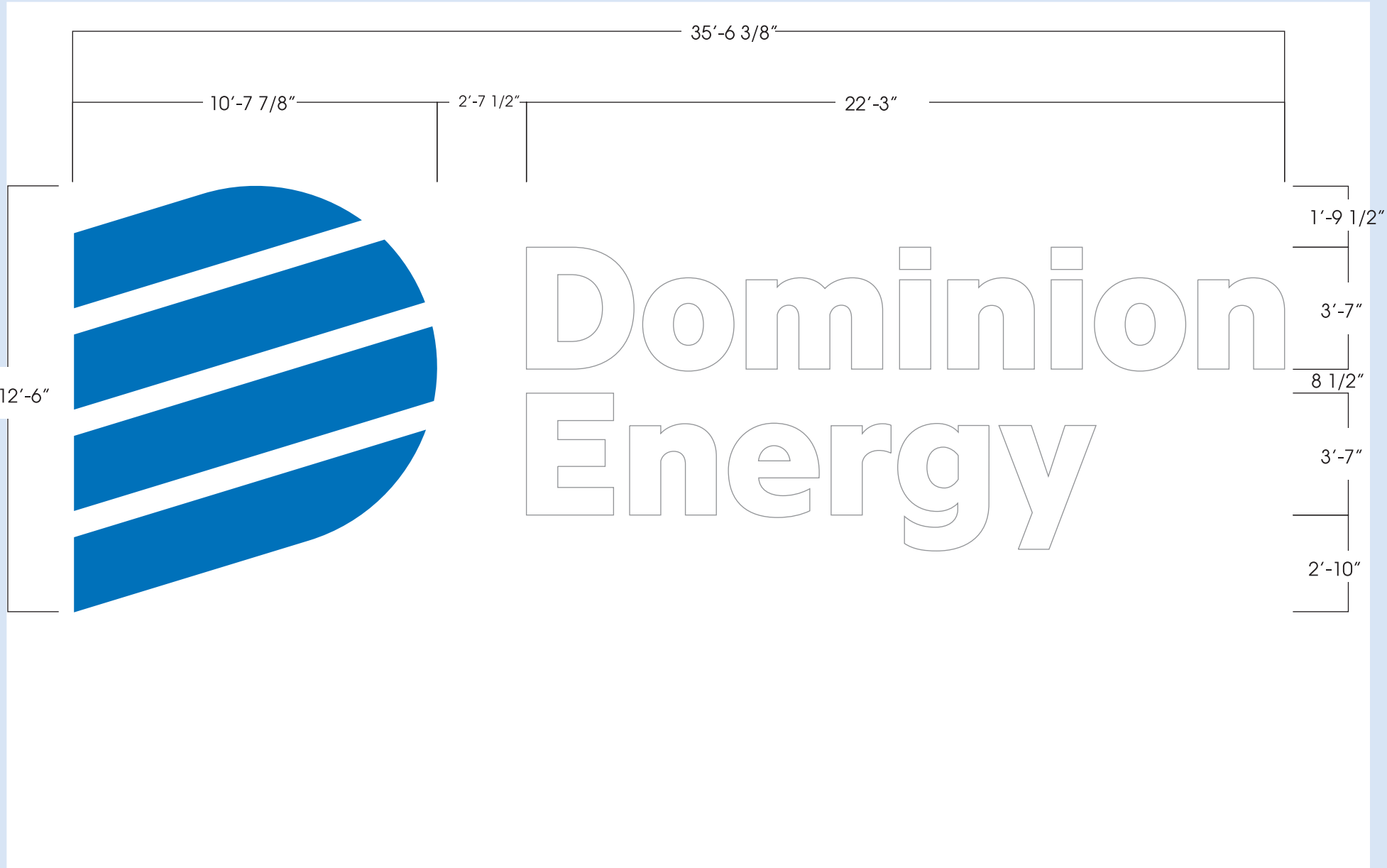
NOTE: 204.66 FT. OF FILLER

THIS SIGN IS INTENDED TO BE INSTALLED IN ACCORDANCE WITH THE REQUIREMENTS OF ARTICLE 600 OF THE NATIONAL ELECTRICAL CODE AND/OR OTHER APPLICABLE LOCAL CODES. THIS INCLUDES PROPER GROUNDING AND BONDING OF THE SIGN

FAK TO: KAITLIN JACH FROM: BRIAN G. HALL DATE 05/16/17

APPROVED BY \_\_\_\_\_ DATE \_\_\_\_\_  
 NOTE: ORDER CANNOT BE PROCESSED FROM ENGINEERING TO MANUFACTURING WITHOUT CUSTOMER APPROVAL DELAYS IN OBTAINING NECESSARY APPROVAL WILL ALTER PROJECTED SHIP DATE

ITEM	REL	SHEET 1 OF -
<b>Everbrite</b> 4949 So. 110th St. P.O. Box 20020 Greenfield, WI 53220 414-529-3500		These drawings are the exclusive property of Everbrite, Inc. Use of, or duplication in any manner without express written permission of Everbrite, Inc. is prohibited.
TITLE LTR, DOM 43" LED		
DRN BGH	DT 05/16/17	SCALE NTS
CKD	DT	DRWG NR #363029
		REV A



**DISCLAIMER:** Renderings are for graphic purposes only and not intended for actual construction dimensions. For windload requirements, actual dimensions and mounting detail, please refer to engineering specifications and install drawings.

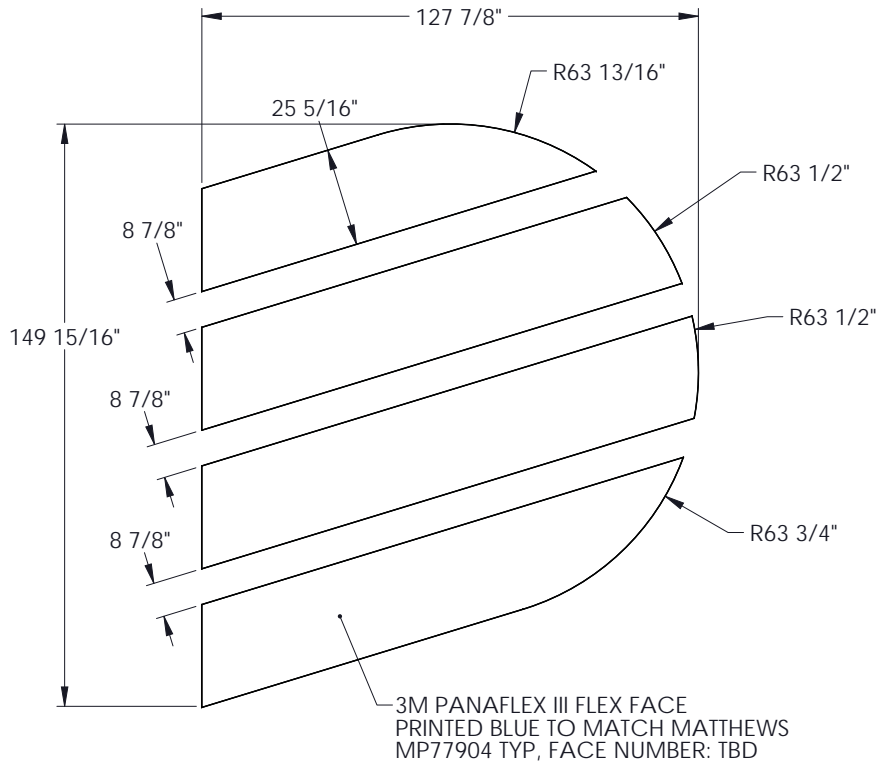
These drawings and designs are the exclusive property of Everbrite LLC Use of, or duplication in any manner without express written permission of Everbrite LLC is prohibited.

Customer: Dominion Energy		Description: 43" Channel Letter Set	Customer Approval: Graphics and colors on file will be used unless otherwise specified by customer. Please review drawing carefully. By signing below, you agree to graphics as shown above, and to location of sign as shown. Please return signed copy back to Everbrite.	
Project No: 363029-1	Scale: 1/4"=1'-0"			
Date: 4/27/17	Drawn By: RB	Revised:	CUSTOMER SIGNATURE _____	DATE _____
Location & Site No: 709 E. Main St. Richmond, VA Site: DE709		Revised:	LANDLORD SIGNATURE _____	DATE _____

8 7 6 5 4 3 2 1

D

D



SIGNCOMP #2233  
SINGLE FACE TENSION  
FRAME KERF CUT AND  
SHAPED TO MATCH  
CONTOUR W/ #2238  
COVER TYP

**SIGN, DE 12'6"X10'8" LOGO FLEX**  
REFERENCE PROJECT REQ.

- 1.) AREA OF SIGN - SQUARED: 133.3 SQ. FT.  
AREA OF SIGN - ACTUAL: 81.0 SQ. FT.
- 2.) LUMENS TOTAL:  
LUMENS PER SQ. FOOT:
- 3.) LAMPS: SLOAN PRISM 6500K LED (115)
- 4.) POWER SUPPLY: SLOAN MOD-60 60W (4)
- 5.) 4.0 AMPS @120VAC
- 6.) (1) 20 AMP CIRCUIT, 60 Hz UL 48 & NEC COMPLIANT
- 7.) SIGN IS TO BE WIRED WITH 12 GAGE MTW WIRE. SIGN MUST BE GROUNDED WITH 12 GAGE GREEN WIRE.
- 8.) MATERIAL SPECIFICATIONS:  
ALUMINUM SHAPES: 6063-T5  
ALUMINUM SHEETS: 3003-H14  
STEEL SHAPES: ASTM A36  
STEEL SHEET: ASTM A591  
STEEL TUBE: ASTM A500B
- 9.) PAINT SPECIFICATIONS: (SIGN)  
INTERIOR: WHITE  
EXTERIOR: MATTHEWS MP77904 BLUE SATIN FINISH  
GRAPHIC AND COLOR SPECIFICATIONS: (FACE)  
COLOR: PMS ARLON
- 10.) PREFERRED DECORATION METHOD: PRINTED FLEX FACE
- 11.) MAXIMUM DESIGN WIND LOAD:  
--- MPH WIND SPEED 3-SECOND GUST- EXPOSURE C.
- 12.) EST. WEIGHT OF CRATED SIGN:  
EST. WEIGHT OF UNCRATED SIGN:
- 13.) CRATED VOLUME OF SIGN:
- 14.) SIGN WILL BE SERVICABLE BY ACCESS PANELS

B

B

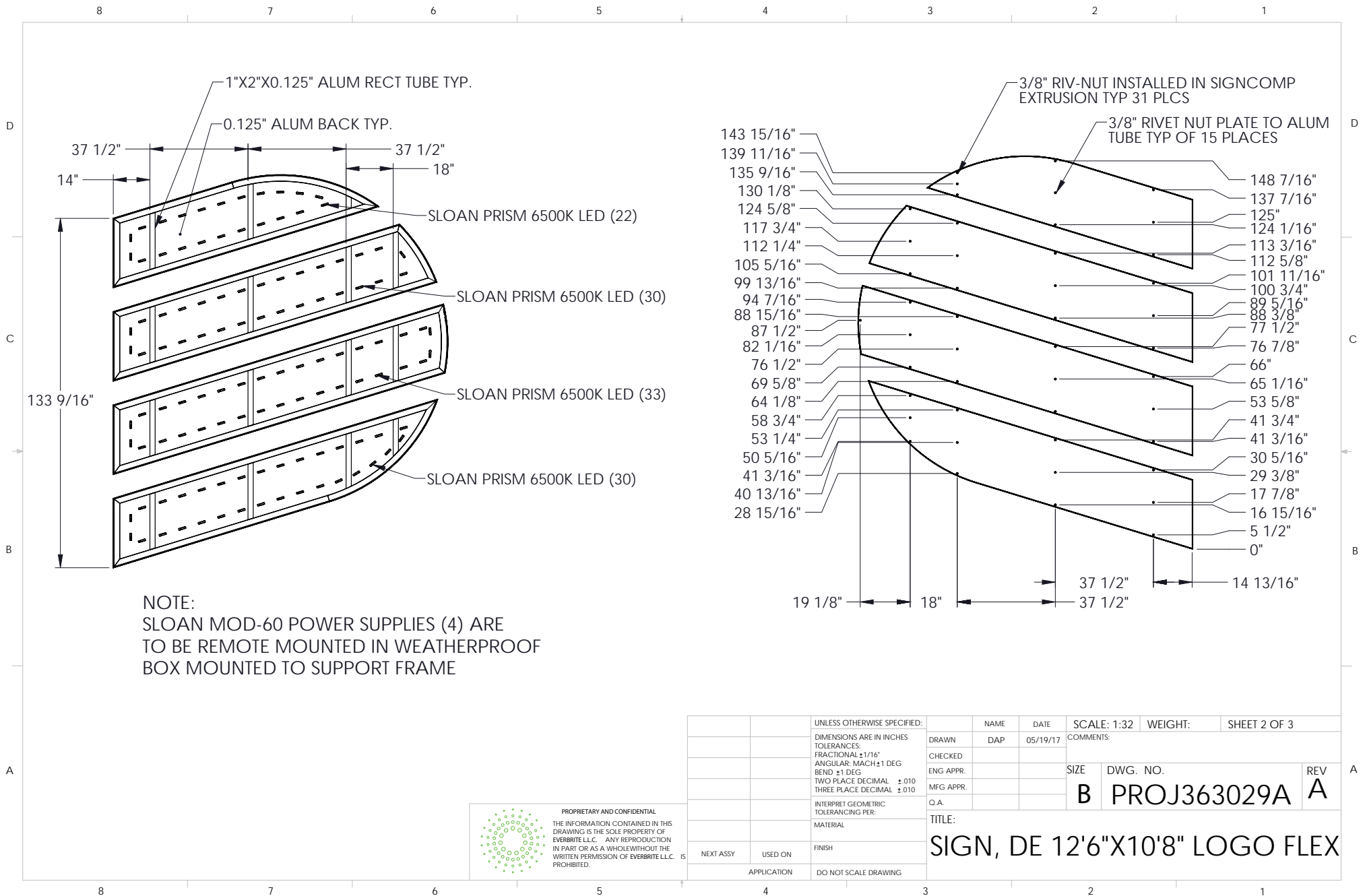
A

A

PROPRIETARY AND CONFIDENTIAL  
THE INFORMATION CONTAINED IN THIS DRAWING IS THE SOLE PROPERTY OF EVERBRITE LLC. ANY REPRODUCTION IN PART OR AS A WHOLE WITHOUT THE WRITTEN PERMISSION OF EVERBRITE LLC IS PROHIBITED.

UNLESS OTHERWISE SPECIFIED:		NAME	DATE	SCALE: 1:32	WEIGHT:	SHEET 1 OF 3
DIMENSIONS ARE IN INCHES		DRAWN	DAP	05/19/17	COMMENTS:	
TOLERANCES:		CHECKED			SIZE	DWG. NO.
FRACTIONAL ±1/16"		ENG APPR.			<b>B</b>	<b>PROJ363029A</b>
ANGULAR: MACH ±1 DEG		MFG APPR.				<b>A</b>
BEND ±1 DEG		O.A.				
TWO PLACE DECIMAL ±.010		TITLE:				
THREE PLACE DECIMAL ±.010		<b>SIGN, DE 12'6"X10'8" LOGO FLEX</b>				
INTERPRET GEOMETRIC TOLERANCING PER:						
MATERIAL						
NEXT ASSY	USED ON					
APPLICATION	DO NOT SCALE DRAWING					

8 7 6 5 4 3 2 1



PROPRIETARY AND CONFIDENTIAL  
THE INFORMATION CONTAINED IN THIS DRAWING IS THE SOLE PROPERTY OF EVERBRITE LLC. ANY REPRODUCTION IN PART OR AS A WHOLE WITHOUT THE WRITTEN PERMISSION OF EVERBRITE LLC. IS PROHIBITED.

UNLESS OTHERWISE SPECIFIED:		NAME	DATE	SCALE: 1:32	WEIGHT:	SHEET 2 OF 3	
DIMENSIONS ARE IN INCHES		DRAWN	DAP	05/19/17	COMMENTS:		
TOLERANCES:		CHECKED			SIZE	DWG. NO.	REV
FRACTIONAL: ±1/16"		ENG APPR.			B	PROJ363029A	A
ANGULAR: MACH ±1 DEG		MFG APPR.			TITLE:		
BEND ±1 DEG		O.A.			SIGN, DE 12'6"X10'8" LOGO FLEX		
TWO PLACE DECIMAL ±.010							
THREE PLACE DECIMAL ±.010							
INTERPRET GEOMETRIC TOLERANCING PER:							
MATERIAL							
NEXT ASSY	USED ON						
APPLICATION	DO NOT SCALE DRAWING						

8 7 6 5 4 3 2 1

D

C

B

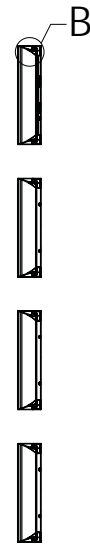
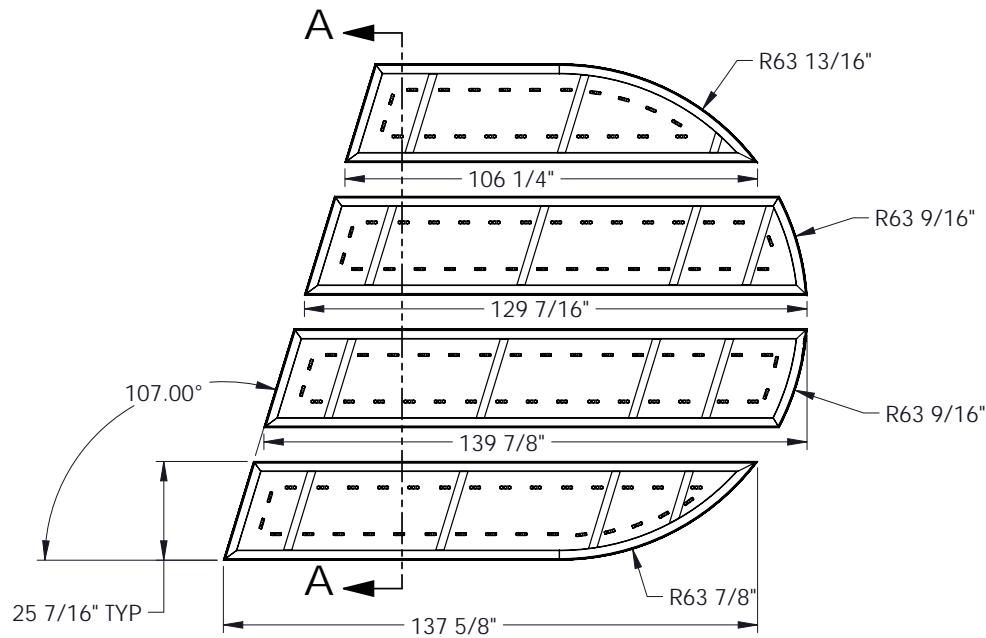
A

D

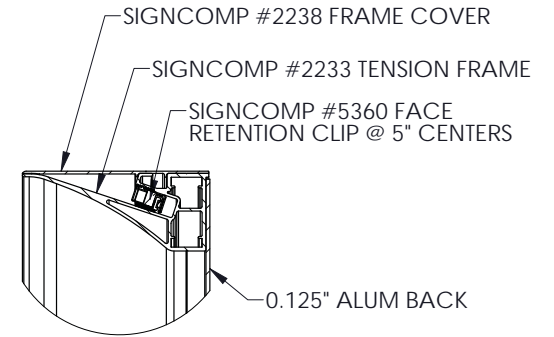
C

B

A



SECTION A-A



DETAIL B  
SCALE 1 : 4

PROPRIETARY AND CONFIDENTIAL  
 THE INFORMATION CONTAINED IN THIS DRAWING IS THE SOLE PROPERTY OF EVERBRITE LLC. ANY REPRODUCTION IN PART OR AS A WHOLE WITHOUT THE WRITTEN PERMISSION OF EVERBRITE LLC IS PROHIBITED.

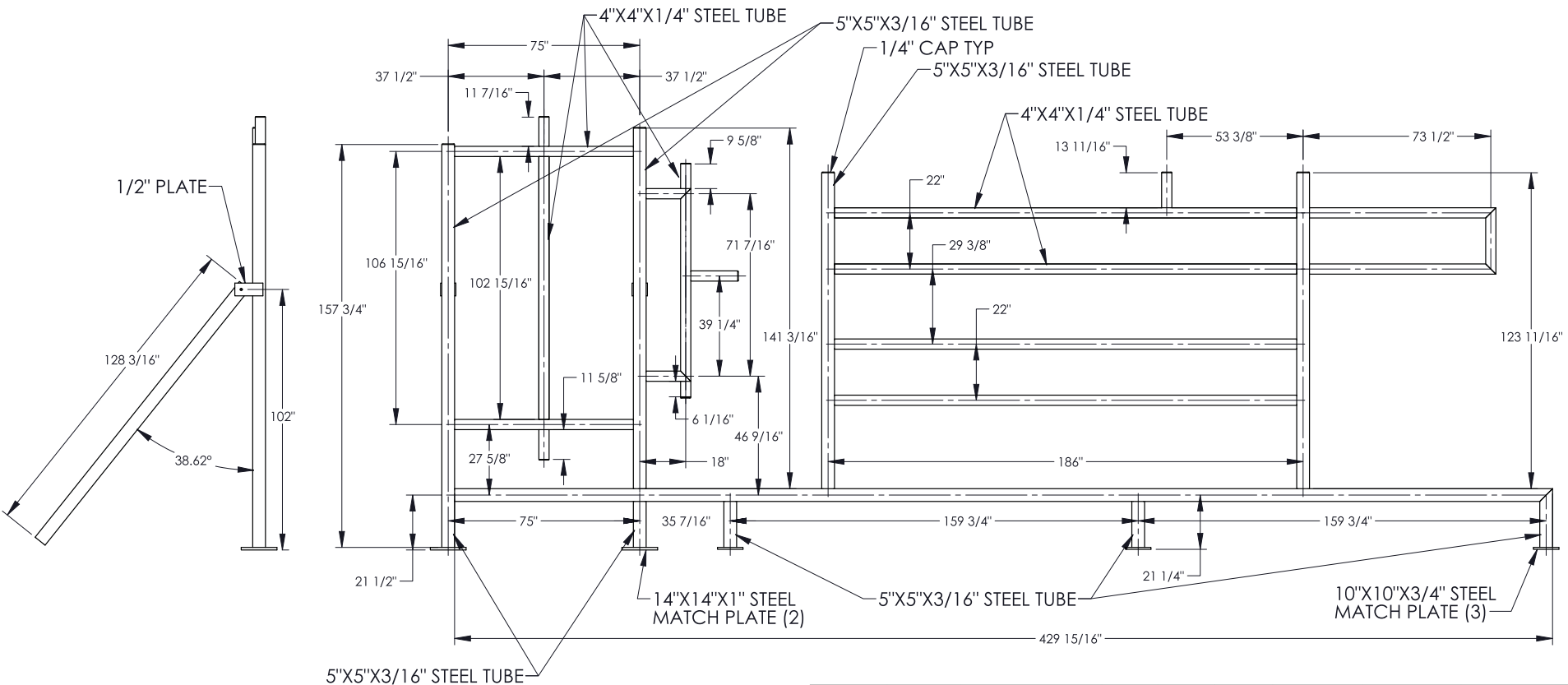
		UNLESS OTHERWISE SPECIFIED:		NAME	DATE	SCALE: 1:32	WEIGHT:	SHEET 3 OF 3	
		DIMENSIONS ARE IN INCHES TOLERANCES: FRACTIONAL ±1/16" ANGULAR: MACH ±1 DEG BEND ±1 DEG TWO PLACE DECIMAL ±.010 THREE PLACE DECIMAL ±.010		DRAWN	DAP	05/19/17	COMMENTS:		
		INTERPRET GEOMETRIC TOLERANCING PER:		CHECKED			SIZE	DWG. NO.	REV
		MATERIAL		ENG APPR.			B	PROJ363029A	A
		FINISH		MFG APPR.			TITLE:		
NEXT ASSY	USED ON	SIGN, DE 12'6"X10'8" LOGO FLEX							
APPLICATION		DO NOT SCALE DRAWING							

8 7 6 5 4 3 2 1



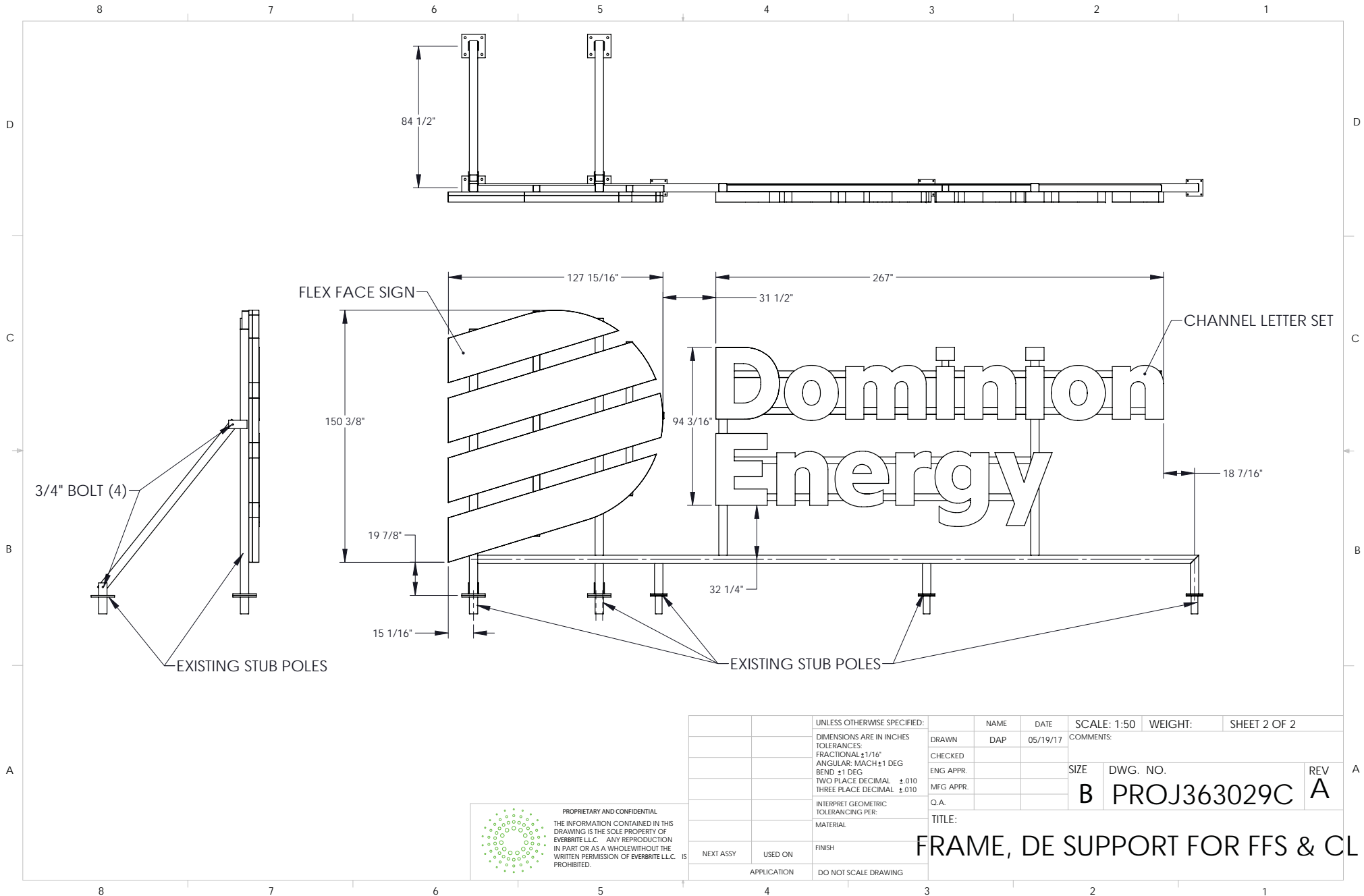
**NOTES:**

- 1.) SHIELDED METAL-ARC WELDED BY CERTIFIED WELDER IN ACCORDANCE WITH AWS D1.1-83 CODE WITH E70XX ELECTRODES
- 2.) ALL PLATES TO BE ASTM A36 UNLESS NOTED
- 3.) ALL TUBE STEEL TO BE A500 UNLESS NOTED



PROPRIETARY AND CONFIDENTIAL  
 THE INFORMATION CONTAINED IN THIS DRAWING IS THE SOLE PROPERTY OF EVERBRITE LLC. ANY REPRODUCTION IN PART OR AS A WHOLE WITHOUT THE WRITTEN PERMISSION OF EVERBRITE LLC IS PROHIBITED.

		UNLESS OTHERWISE SPECIFIED:		NAME	DATE	SCALE: 1:40	WEIGHT:	SHEET 1 OF 2	
		DIMENSIONS ARE IN INCHES		DRAWN	DAP	05/19/17	COMMENTS:		
		TOLERANCES:		CHECKED			SIZE	DWG. NO.	REV
		FRACTIONAL ±1/16"		ENG APPR.			B PROJ363029C		A
		ANGULAR: MACH ±1 DEG		MFG APPR.					
		BEND ±1 DEG		Q.A.					
		TWO PLACE DECIMAL ±.010		TITLE:					
		THREE PLACE DECIMAL ±.010		FRAME, DE SUPPORT FOR FFS & CL					
		INTERPRET GEOMETRIC TOLERANCING PER:							
		MATERIAL							
NEXT ASSY	USED ON	FINISH							
APPLICATION		DO NOT SCALE DRAWING							



3/4" BOLT (4)

EXISTING STUB POLES

EXISTING STUB POLES

CHANNEL LETTER SET

PROPRIETARY AND CONFIDENTIAL  
 THE INFORMATION CONTAINED IN THIS DRAWING IS THE SOLE PROPERTY OF EVERBRITE LLC. ANY REPRODUCTION IN PART OR AS A WHOLE WITHOUT THE WRITTEN PERMISSION OF EVERBRITE LLC. IS PROHIBITED.

UNLESS OTHERWISE SPECIFIED:		NAME	DATE	SCALE: 1:50	WEIGHT:	SHEET 2 OF 2	
DIMENSIONS ARE IN INCHES		DRAWN	DAP	05/19/17	COMMENTS:		
TOLERANCES:		CHECKED			SIZE	DWG. NO.	REV
FRACTIONAL: ±1/16"		ENG APPR.			B	PROJ363029C	A
ANGULAR: MACH ±1 DEG		MFG APPR.			TITLE:		
BEND ±1 DEG		O.A.			FRAME, DE SUPPORT FOR FFS & CL		
TWO PLACE DECIMAL ±.010							
THREE PLACE DECIMAL ±.010							
INTERPRET GEOMETRIC TOLERANCING PER:							
MATERIAL:							
NEXT ASSY	USED ON	FINISH					
APPLICATION	DO NOT SCALE DRAWING						