



Application for **SPECIAL USE PERMIT**

Department of Planning and Development Review  
 Land Use Administration Division  
 900 E. Broad Street, Room 511  
 Richmond, Virginia 23219  
 (804) 646-6304  
<http://www.richmondgov.com/>

Application is hereby submitted for: (check one)

- special use permit, new**
- special use permit, plan amendment**
- special use permit, text only amendment**

**Project Name/Location**

Property Address: 2501 Porter St Richmond, VA 23225 Date: 11/17/2023  
 Tax Map #: S0000696012 Fee: 300  
 Total area of affected site in acres: 0.082

(See **page 6** for fee schedule, please make check payable to the “**City of Richmond**”)

**Zoning**

Current Zoning: R-6

Existing Use: Empty lot

**Proposed Use**

(Please include a detailed description of the proposed use in the required applicant's report)

Two-family dwelling  
 Existing Use: Vacant

Is this property subject to any previous land use cases?

Yes  No  If Yes, please list the Ordinance Number: \_\_\_\_\_

**Applicant/Contact Person:** Vladimir Slobodnik

Company: Viaco LLC  
 Mailing Address: 10629 Toston Ln.  
 City: Glen Allen State: VA Zip Code: 23060  
 Telephone: ( 804 ) 8404650 Fax: ( )  
 Email: vslobodnik@gmail.com

**Property Owner:** Viaco LLC

If Business Entity, name and title of authorized signee: Vladimir Slobodnik, General Manager

(The person or persons executing or attesting the execution of this Application on behalf of the Company certifies that he or she has or have been duly authorized and empowered to so execute or attest.)

Mailing Address: 10629 Toston Ln.  
 City: Glen Allen State: VA Zip Code: 23060  
 Telephone: ( 504 ) 8404650 Fax: ( )  
 Email: vslobodnik@gmail.com

**Property Owner Signature:**

Vladimir Slobodnik  
dotloop verified  
 11/17/23 11:45 AM EST  
 FWU6-N7TB-GGAO-HKP3

The names, addresses, telephone numbers and signatures of all owners of the property are required. Please attach additional sheets as needed. If a legal representative signs for a property owner, please attach an executed power of attorney. **Faxed or photocopied signatures will not be accepted.**

**NOTE:** Please attach the required plans, checklist, and a check for the application fee (see Filing Procedures for special use permits)



## Review & Approval process for **SPECIAL USE PERMIT**

In instances where it has been determined that underlying zoning regulations cannot be met, a special use permit may be granted by City Council to provide relief from zoning regulations.

Special use permit applications are reviewed for compliance with the City's Master Plan to ensure the proposal is compatible with the surrounding area and that it is an appropriate use for the site. Specifically, applications are reviewed to ensure that the City Charter conditions for granting special use permits have been met. The City Charter requires that prior to City Council approval; it must be shown that the proposed special use will **not**:

1. be detrimental to the safety, health, morals and general welfare of the community involved;
2. create congestion in streets, roads, alleys and other public ways and places in the area involved;
3. create hazards from fire, panic or other dangers;
4. tend to cause overcrowding of land and an undue concentration of population;
5. adversely affect or interfere with public or private schools, parks, playgrounds, water supplies, sewage disposal, transportation or other public requirements, conveniences and improvements; or
6. interfere with adequate light and air.

Applicants **are encouraged** to schedule a pre-application conference with the Division of Land Use Administration staff to review related Master Plan, land use and other issues that may be involved prior to making application. Please call (804) 646-6304 to schedule an appointment with the staff. Staff will review submitted applications to ensure all required materials and information are provided. If the application is not acceptable, the required information must be provided prior to formal staff review.

Applicants should also discuss the proposed special use permit with area civic associations, property owners, residents, and the area Council Representative prior to submitting an application. Letters from the associations and property owners stating their position in regards to the request should be submitted with the application.

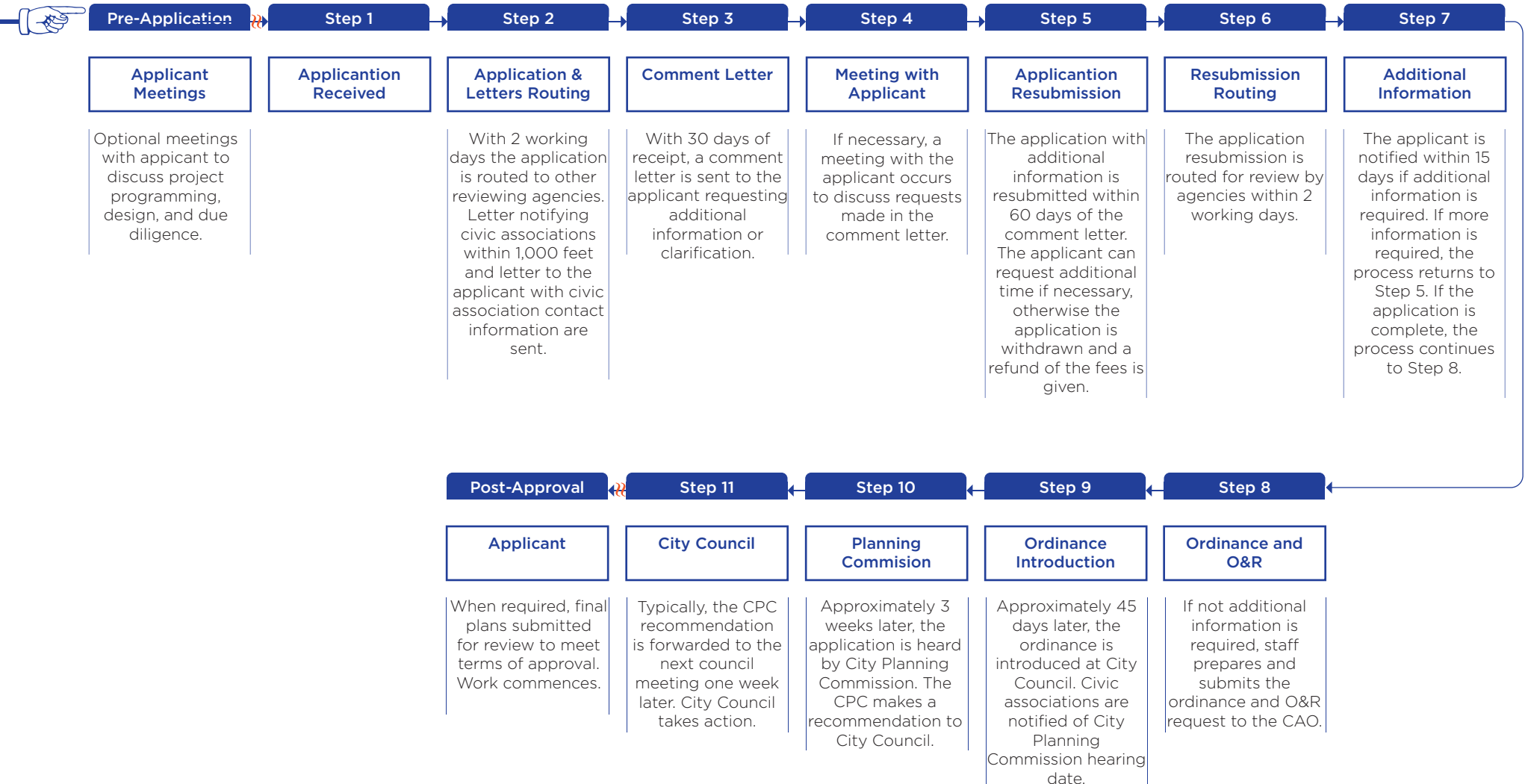
The Division of Land Use Administration circulates the special use permit application materials to appropriate City agencies as determined necessary. City agencies reviewing the proposal may include: Public Works, Building Permits & Inspections, Public Utilities, Water Resources, Zoning Administration, and Fire and Emergency Services. The Division of Land Use Administration will coordinate responses by City agencies. Written comments will be provided generally within 30 days of the application submittal date.

After review by these agencies and by the Division of Land Use Administration, the staff will confer with the applicant regarding suggested conditions to be included in the ordinance and any suggested changes to the plans. If the property is located in a City Old and Historic District and the request involves exterior alterations, additions or new construction, the plans should also be reviewed by the Commission of Architectural Review prior to an ordinance being introduced in City Council. Once the plans are in final form, an ordinance is drafted and the plans are attached to and are made a part of the ordinance. The staff will forward a copy of the ordinance to the applicant for review and approval.

The ordinance is then reviewed by the City Attorney's office and the City Administration. Once their review is complete, the ordinance is introduced to City Council and a public hearing is scheduled, usually thirty days after introduction. During this thirty-day period, public notice of the hearing is posted on the site and in a daily newspaper. Notices are also mailed to the owners of all properties within 150 feet of the subject property. One week prior to the City Council public hearing, the Planning Commission, after receiving a report from the Department of Planning and Development Review, considers the proposed special use permit and forwards a recommendation to City Council. The Planning Commission welcomes information submitted prior to the meeting and may ask questions of proponents and opponents during the course of its deliberation on the ordinance. Six affirmative votes of City Council are required to adopt a special use ordinance. Please note that there is a fee of \$250 for each continuance caused by the applicant.

If the special use ordinance is adopted by City Council, the applicant has a specified time period in which to apply for a building permit to implement the special use permit. Building permit plans must be substantially in accordance with the adopted special use permit plans, otherwise a building permit will not be issued. In general, the approval process for special use permits takes between 120 to 180 days. However, depending on the complexity of the proposed special use permit, more or less time may be required. The City Planning Commission considers approval of special use permits at its regular meetings on the first and third Monday of each month. **Incomplete submissions or major modifications to the plan during the review process may cause delays in the schedule.**

# Legislative Land Use Application Process





## Filing Procedures for **SPECIAL USE PERMIT**

### **FILING**

Special use permit applications are filed with the:

Department of Planning and Development Review  
Land Use Administration Division, Room 511  
City Hall, 900 East Broad Street, Richmond, Virginia 23219  
Telephone (804) 646-6304

### **APPLICATION REQUIREMENTS**

The application for a special use permit must include the following, each part of which is explained below. ***Application must be submitted in an electronic format (PDF).***

- 1. Application form, including a completed checklist;**
- 2. Application fee;**
- 3. Applicant's report;**
- 4. Electronic PDF plans; and**
- 5. Survey plat.**

- 1. Application Form:** All the owners of the property must sign the application form. If a legal representative signs for a property owner, a copy of an executed power of attorney is required.
- 2. Application Fee:** The appropriate fee must accompany the application. Checks should be made payable to the "City of Richmond". The fees are determined from the attached fee schedule.
- 3. Applicant's Report: *A written report must be submitted describing the proposed use.*** For non-residential development, the description should include the anticipated number of employees, hours of operation, and an estimate of the amount of vehicular traffic that will be generated by the use. The report should point out the specific features of the special use that will ensure that it will be compatible with the surrounding area, and that it is an appropriate use for the site. In addition, the City Charter specifies certain conditions that must be met before City Council can approve a special use permit. It must be shown that the proposed special use will ***not:***
  - a.** be detrimental to the safety, health, morals and general welfare of the community involved;
  - b.** tend to create congestion in streets, roads, alleys and other public ways and places in the area involved;
  - c.** create hazards from fire, panic or other dangers;
  - d.** tend to cause overcrowding of land and an undue concentration of population;
  - e.** adversely affect or interfere with public or private schools, parks, playgrounds, water supplies, sewage disposal, transportation or other public requirements, conveniences and improvements; or
  - f.** interfere with adequate light and air.

The report must indicate the reasons why the applicant feels these conditions will be met (e.g., features of the plan, characteristics of the proposed use or surrounding area). ***Please note*** that the ***above materials will be forwarded to the City Planning Commission and City Council along with the special use permit ordinance.***



## FILING

- 4. Plans:** Plans are required to provide sufficient detail to permit the staff to make a determination of the compatibility of the proposed project with surrounding development. Plans must be properly scaled and include a scale bar. Depending on the request, plans may include the following:

- a.** Site Plan
- b.** Elevation Plans
- c.** Floor Plans
- d.** Landscape Plans
- e.** Signage Plan & Details
- f.** Lighting Plan & Details

In some cases not all plans would be relevant to the request and may not be required. If there is a question about the level of detail required, please contact Land Use Administration Staff. Electronic Plans (PDF) are required with the initial application and any subsequent resubmissions. Electronic plans may be submitted on a disk or via email at: [DCDLanduseadmin@richmondgov.com](mailto:DCDLanduseadmin@richmondgov.com).

- 5. Survey Plat:** A PDF of a survey plat showing the property and including metes and bounds is required. The plat should show existing physical features of the property, including:
- a.** North arrow, scale, property address, the distance to nearest public street, preparer of plat, date, revision dates, area of site;
  - b.** Existing structures, buildings, paved areas, fences, streets, alleys, easements, and limits of the 100 year flood plain, Chesapeake Bay Preservation Area limits, wetlands, and streams.



(As of 9\_7\_2018) **(FEE SCHEDULE)**  
 Department of Planning and Development Review  
 Land Use Administration Division  
 900 E. Broad Street, Room 511  
 Richmond, Virginia 23219  
 (804) 646-6304  
<http://www.richmondgov.com/>

**COMMUNITY UNIT PLAN**

Preliminary	\$3,000 + \$100/acre <sup>1</sup>
Extension of Preliminary Approval	\$1,500
Final	\$1,500 + \$100/acre <sup>1</sup>
Amendment	\$1,500 + \$100/acre <sup>1</sup>

**CONDITIONAL USE PERMIT**

Initial	\$1,500 + \$100/acre <sup>2</sup>
Amendment	\$1,000 + \$100/acre <sup>2</sup>

**PLAN OF DEVELOPMENT**

Floor area & Land disturbed ≤5,000 square feet	\$500 + \$100/acre <sup>2</sup>
Floor area & Land disturbed ≥5,001 & ≤50,000 square feet	\$1,000 + \$100/acre <sup>2</sup>
Floor area & Land disturbed ≥50,001 square feet	\$1,500 + \$100/acre <sup>2</sup>

**REZONING/CONDITIONAL REZONING**

Each continuance caused by the applicant	\$1,500 + \$100/acre <sup>2</sup>
	\$250

**SPECIAL USE PERMIT**

<i>Use</i>	<i>Initial</i>	<i>Amendment</i>
Day Nursery	\$300	\$200
Single- or two-family detached or attached dwelling	\$300	\$200
Outdoor dining	\$300	\$200
Mobile food business	\$300	\$200
Sign	\$300	\$200
Multi-family dwelling (3 to ten units)	\$1,800	\$1,200
Commercial or industrial equal to or less than 5,000 sq ft	\$1,800	\$1,200
Multi-family dwelling (more than 10 units)	\$2,400	\$1,800
Commercial or industrial more than 5,000 sq ft	\$2,400	\$1,800
Each continuance caused by the applicant	\$250	

**SUBDIVISION**

Preliminary Plat	\$500 + \$15/lot
Extension of Preliminary Plat Approval	\$150
Final Plat	\$500 + \$15/lot
Subdivision Confirmation Letter	\$100
Continuance*	\$50
Plat of Correction	\$100

**A full refund of the application fee is permitted if the application is withdrawn prior to the second submittal of plans. Once a second submittal of plans is made, fees are not refundable.**

<sup>1</sup>For Community Unit Plans (CUP), the first 10 acres are included in the base price.

<sup>2</sup>For Conditional Use Permits, Plans of Development, and Rezoning, the first acre is included in the base price.

For all applications with an additional price per acre, fractions of an acre are rounded up to the nearest whole number. Do not prorate the fee per fraction of acre.

- Example: A Conditional Use Permit (CUP) for a 0.76 acre property would owe \$1,500 (base fee only). A CUP for a 2.3 acre property would owe \$1,700 (\$1,500 base fee + 2\*100 (for the 1.3 acres over the first acre))

\* No charge for the 1st continuance requested by the applicant or for any continuance requested by the Planning Commission. The second or subsequent continuance request by the applicant costs \$50.

Fees went into effect upon adoption of Ordinance No. 2018-209 by City Council on September 10, 2018.

[2501 Porter St Richmond, VA 23225](#)

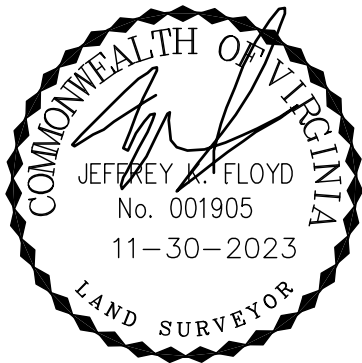
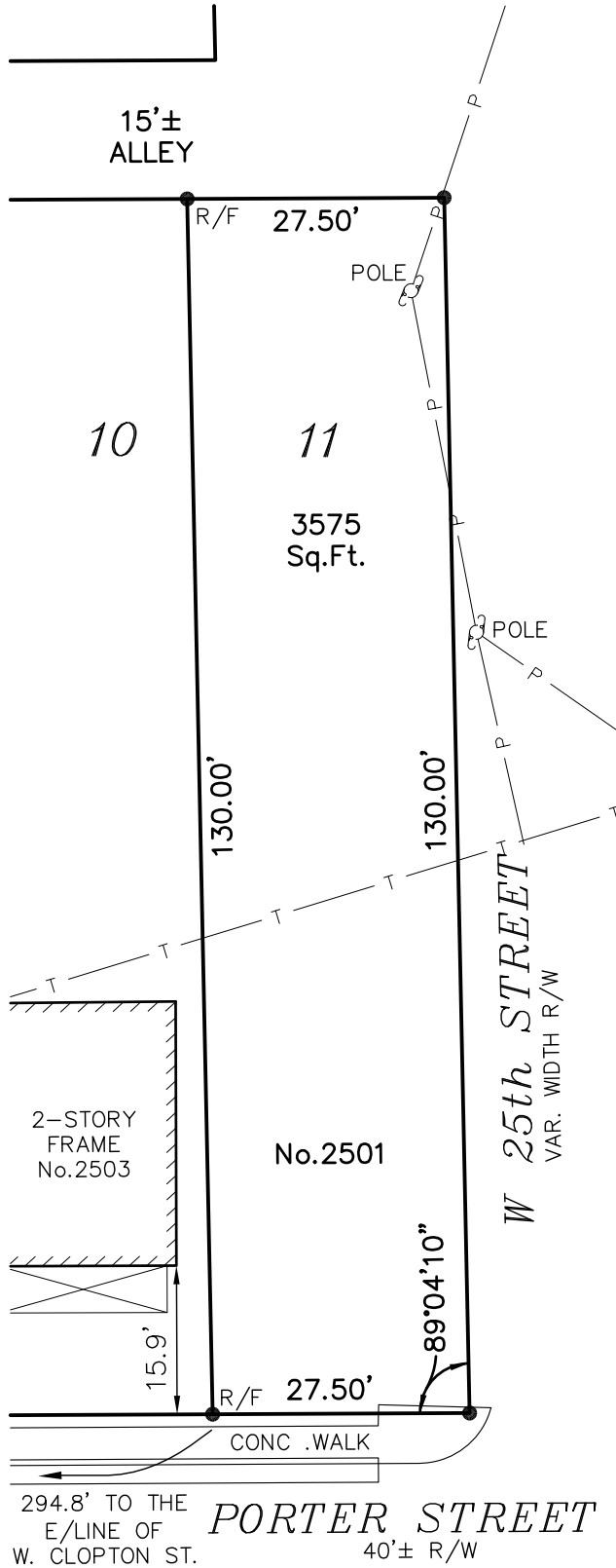
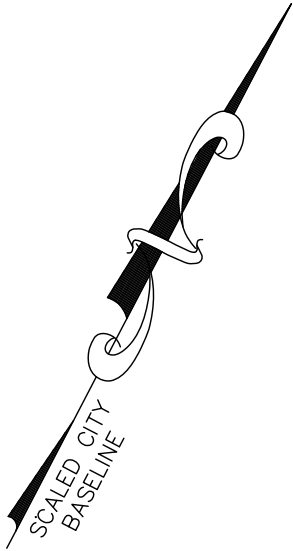
Applicant's report

The proposed use for this lot is to erect a two-family 2-story structure, in accordance with attached plans. It will be in line with similar structures already built in the vicinity of the lot, and by association, compatible with the surroundings and appropriate for this location.

The building is not going to cause any extra traffic congestion, pose fire or any other threats, interfere with adequate light and air, etc. because the whole area is used for residential building, and all the necessary infrastructure for such use is already in place.

Sincerely,  
Viaco LLC

This is to certify to the PURCHASER/OWNER shown hereon, and his TITLE INSURER and Lender, that on 3-30-2023 I made an Accurate survey of the premises shown hereon and that there are no easements or encroachments visible on the ground other than those shown hereon. This survey has been made without the benefit of a title search and is subject to any uses recorded and unrecorded and other pertinent facts in which a title search may disclose. Copies of this plat without the certifying surveyor's seal with an original signature are INVALID.

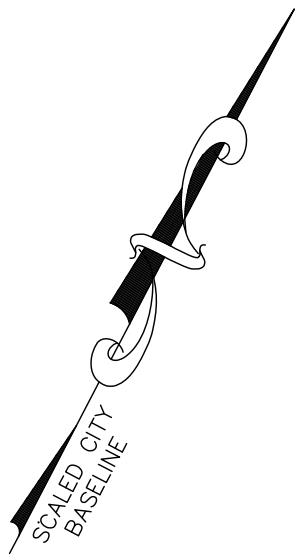


**Virginia Surveys**  
 P.O. BOX 118  
 CHESTERFIELD, VA 23832  
 (804) 748-9481  
 COPYRIGHT © VIRGINIA SURVEYS  
 All rights reserved.

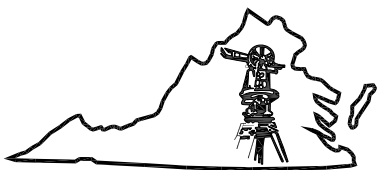
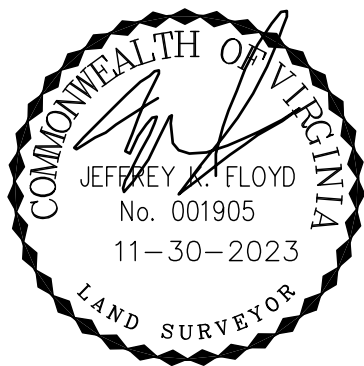
*MAP SHOWING THE IMPROVEMENTS  
 ON LOT 11, BLOCK 3,  
 "HOLLANDS ADDITION"  
 IN THE CITY OF RICHMOND, VA.*

DATE: 11-30-2023  
 CERTIFIED BY JEFFREY K. FLOYD SCALE: 1"=20'  
 VIRGINIA CERTIFICATE NO. 001905 JOB NO. 231116064

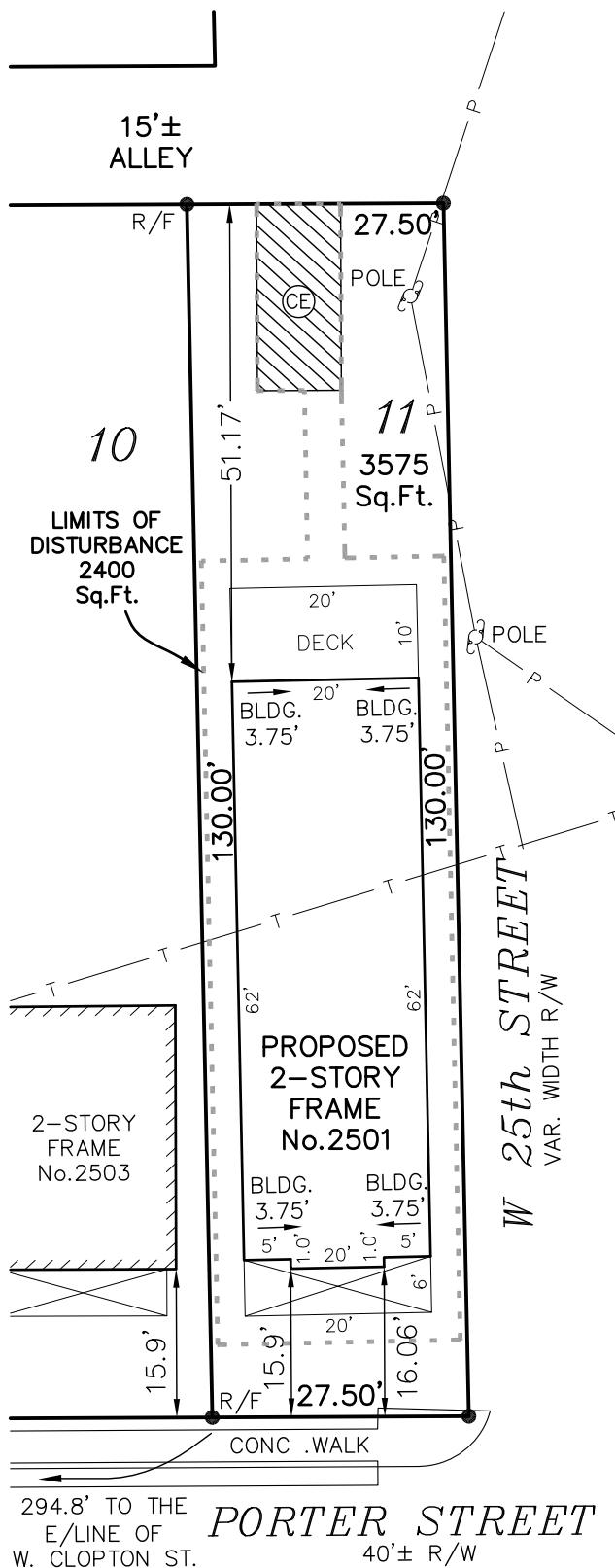




Ⓢ  
 GRAVEL  
 CONSTRUCTION  
 ENTRANCE/  
 OFF-STREET PARKING



**Virginia Surveys**  
 P.O. BOX 118  
 CHESTERFIELD, VA 23832  
 (804) 748-9481  
 COPYRIGHT © VIRGINIA SURVEYS  
 All rights reserved.



SKETCH SHOWING THE  
 PROPOSED IMPROVEMENTS  
 ON LOT 11, BLOCK 3,  
 "HOLLANDS ADDITION"  
 IN THE CITY OF RICHMOND, VA.

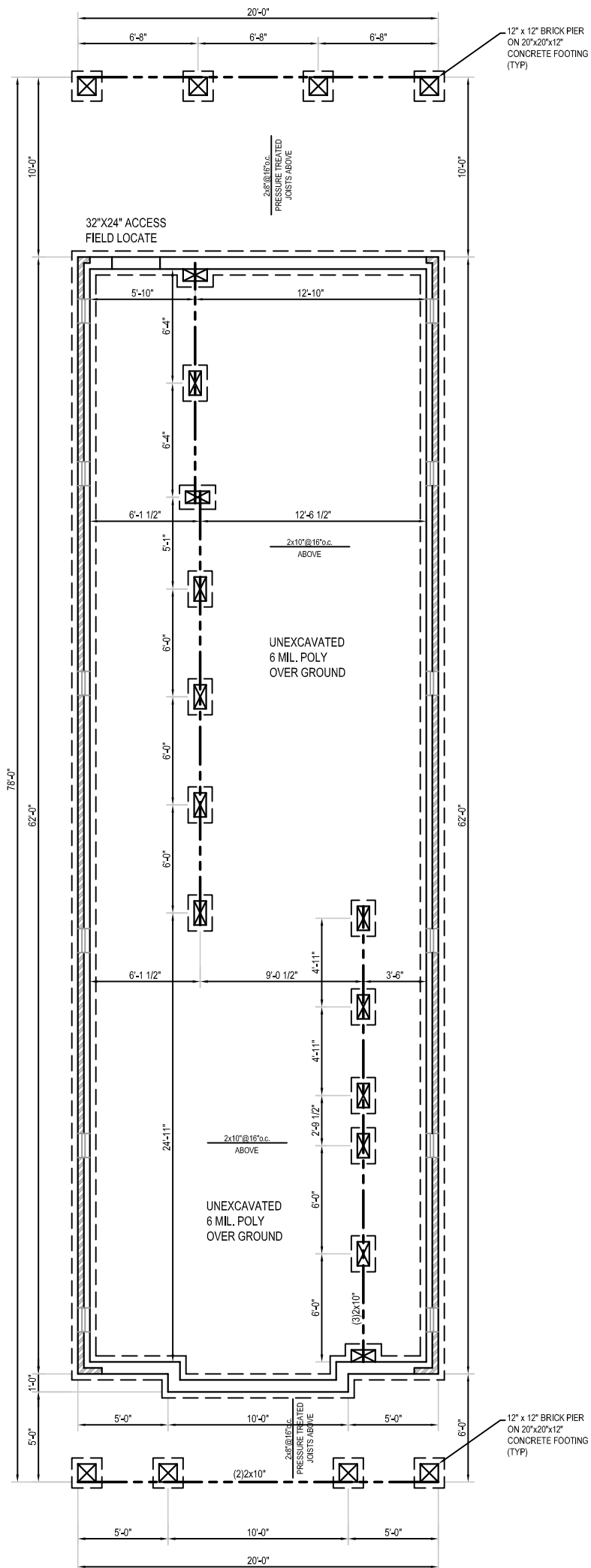
DATE: 11-30-2023

CERTIFIED BY JEFFREY K. FLOYD

VIRGINIA CERTIFICATE NO. 001905

SCALE: 1"=20'

JOB NO. 231116064



FOUNDATION PLAN		
Address:	REVISIONS:	09/20/23
DATE:	07/20/23	
SCALE:	1/8"=1'-0"	SHEET 1 OF 7

AREA CALCULATIONS

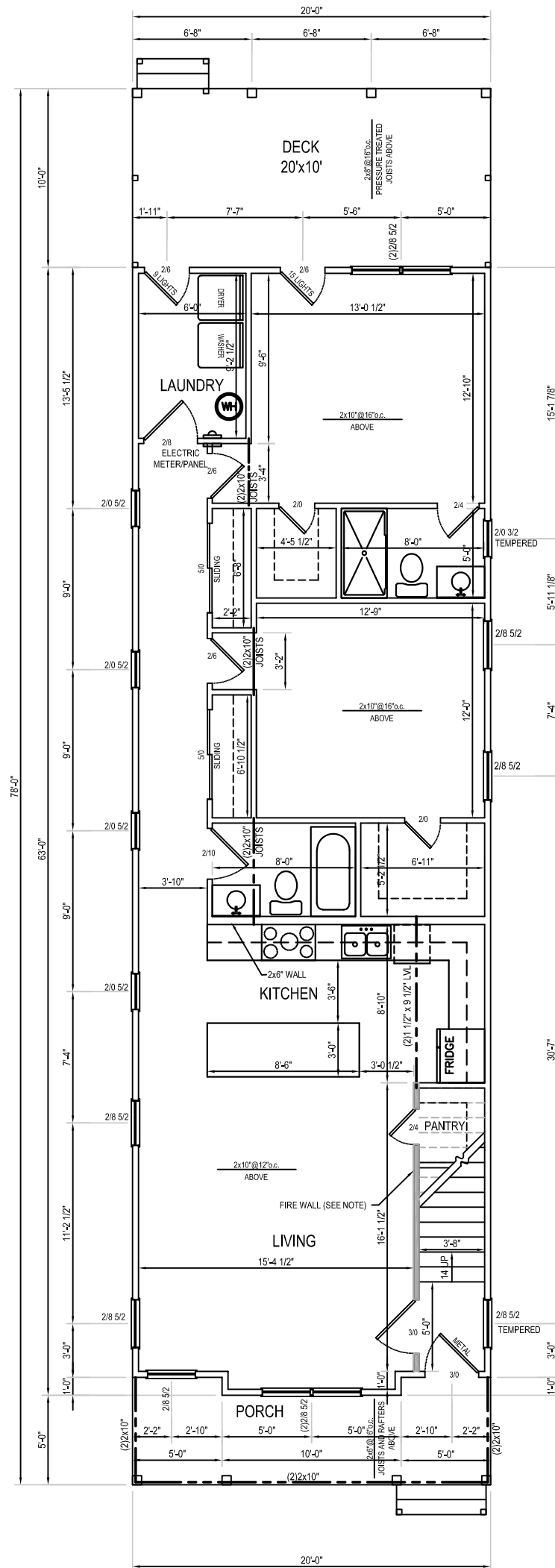
1st. FLOOR SQ.FT.	1212
2nd. FLOOR SQ.FT.	1270

HEADER SCHEDULE

SPAN	SIZE
Less than 3'-0"	(2) 2 X 4
3'-1" to 4'-0"	(2) 2 X 6
4'-1" to 5'-0"	(2) 2 X 8
5'-1" to 8'-0"	(2) 2 X 10
** Unless Noted Otherwise	

1hr. Fire-Resistive  
Wall Assembly (1  
layers 5/8 Type X  
Gypsum)

SEE PLAN FOR WINDOWS DIMENSIONS. ALL  
WINDOWS ARE VINYL, DOUBLE HANG AND  
LOW-E.

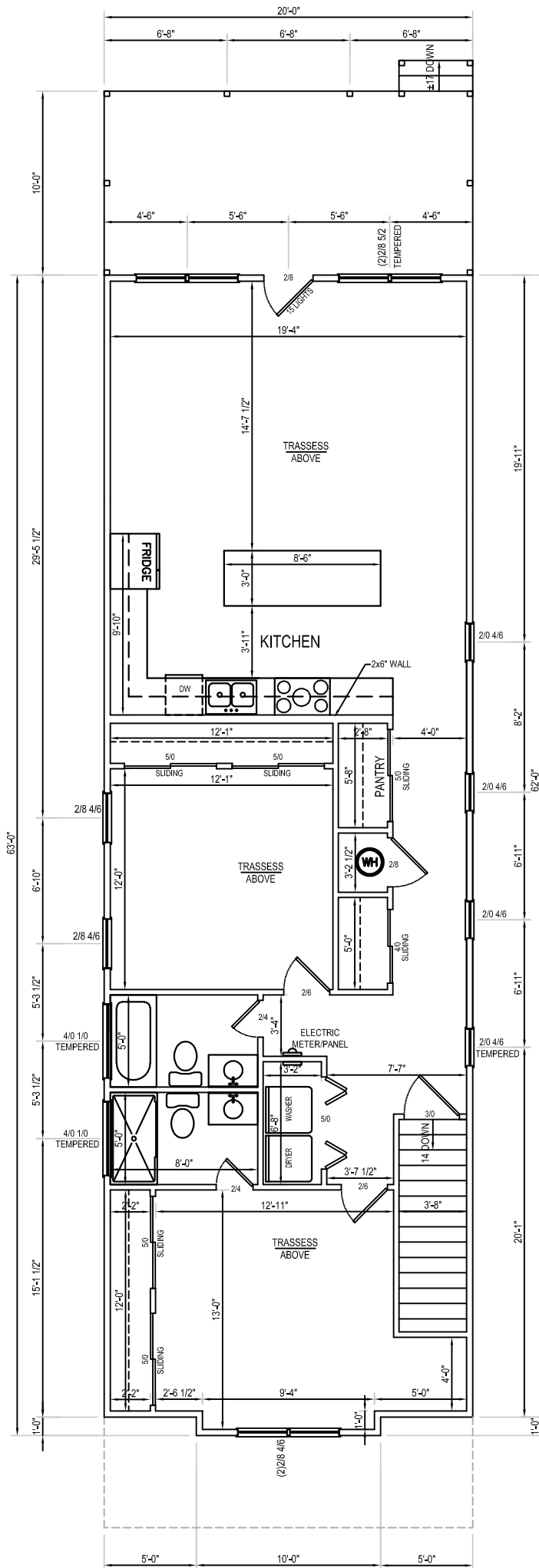


FIRST FLOOR LAYOUT		
Address:	REVISIONS:	09/20/23
DATE:		12/23/23
SCALE:	SHEET 2	OF 7

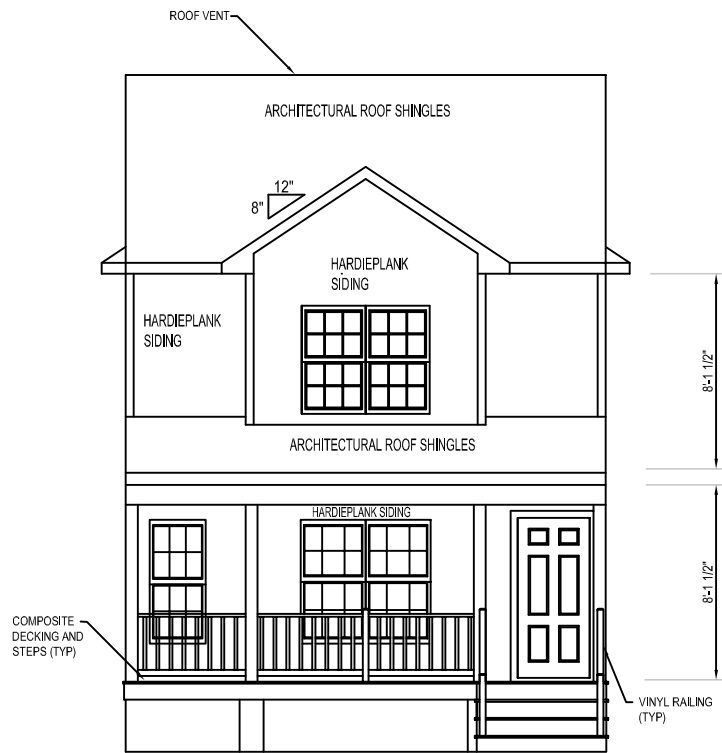
HEADER SCHEDULE

SPAN	SIZE
Less than 3'-0"	(2) 2 X 4
3'-1" to 4'-0"	(2) 2 X 6
4'-1" to 5'-0"	(2) 2 X 8
5'-1" to 8'-0"	(2) 2 X 10

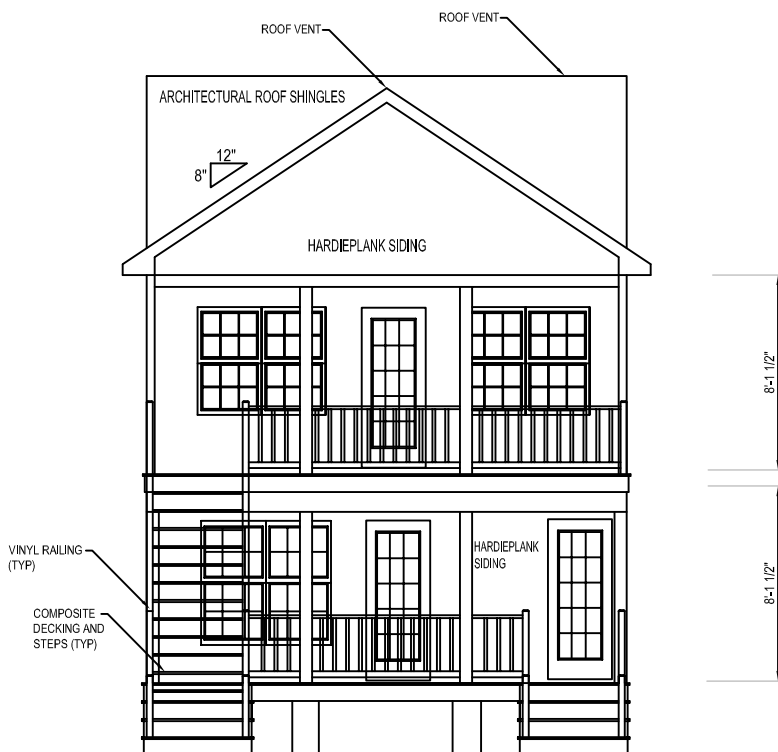
\*\* Unless Noted Otherwise



SECOND FLOOR LAYOUT		
Address:	REVISIONS:	09/20/23
DATE:		12/23/23
SCALE:	SHEET 3	OF 7



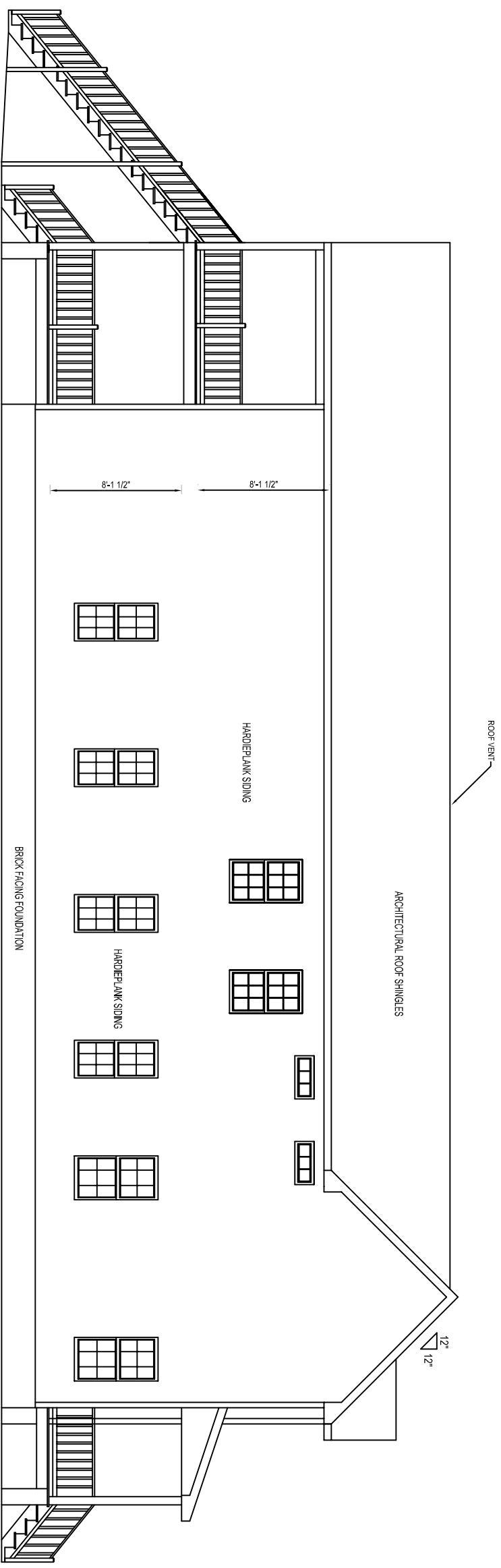
FRONT ELEVATION



REAR ELEVATION

### ELEVATIONS

Address:	REVISIONS:	09/20/23
DATE: 07/20/23		12/23/23
SCALE: 1/8"-1-0'	SHEET 5	OF 7

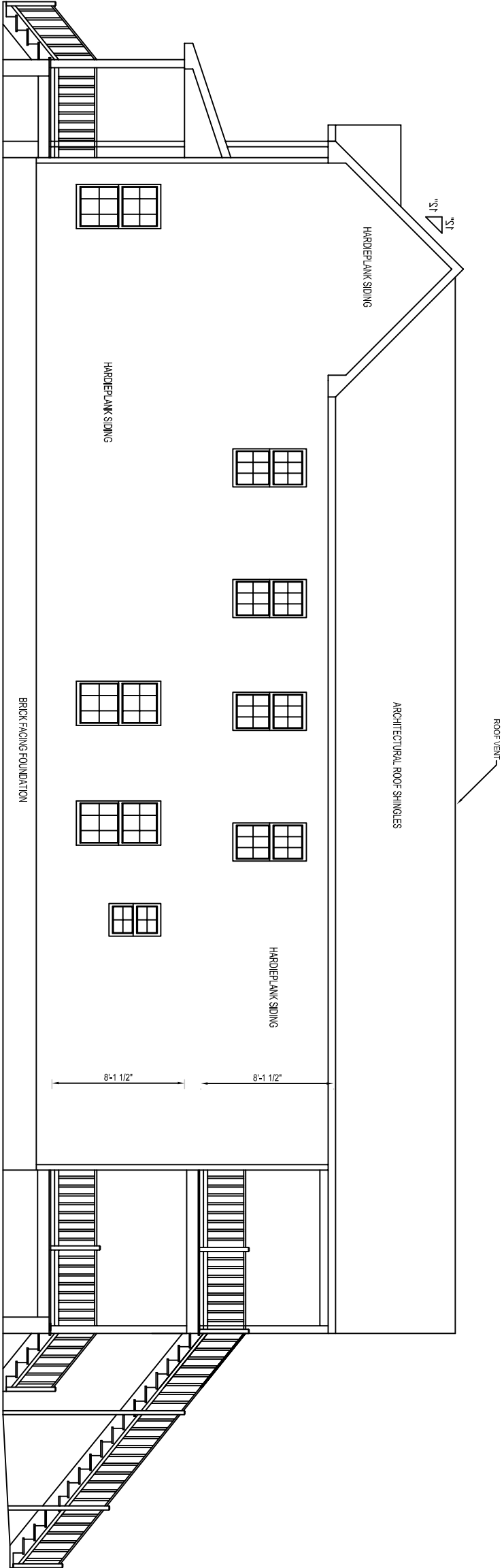


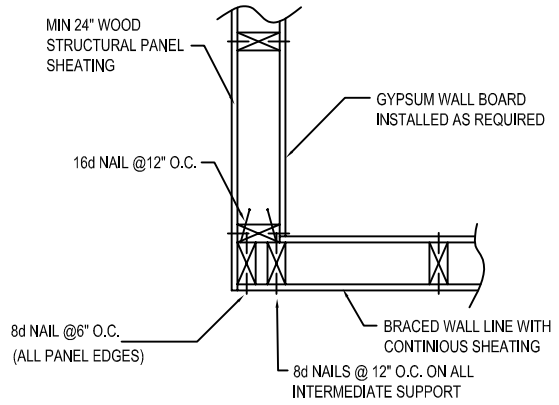
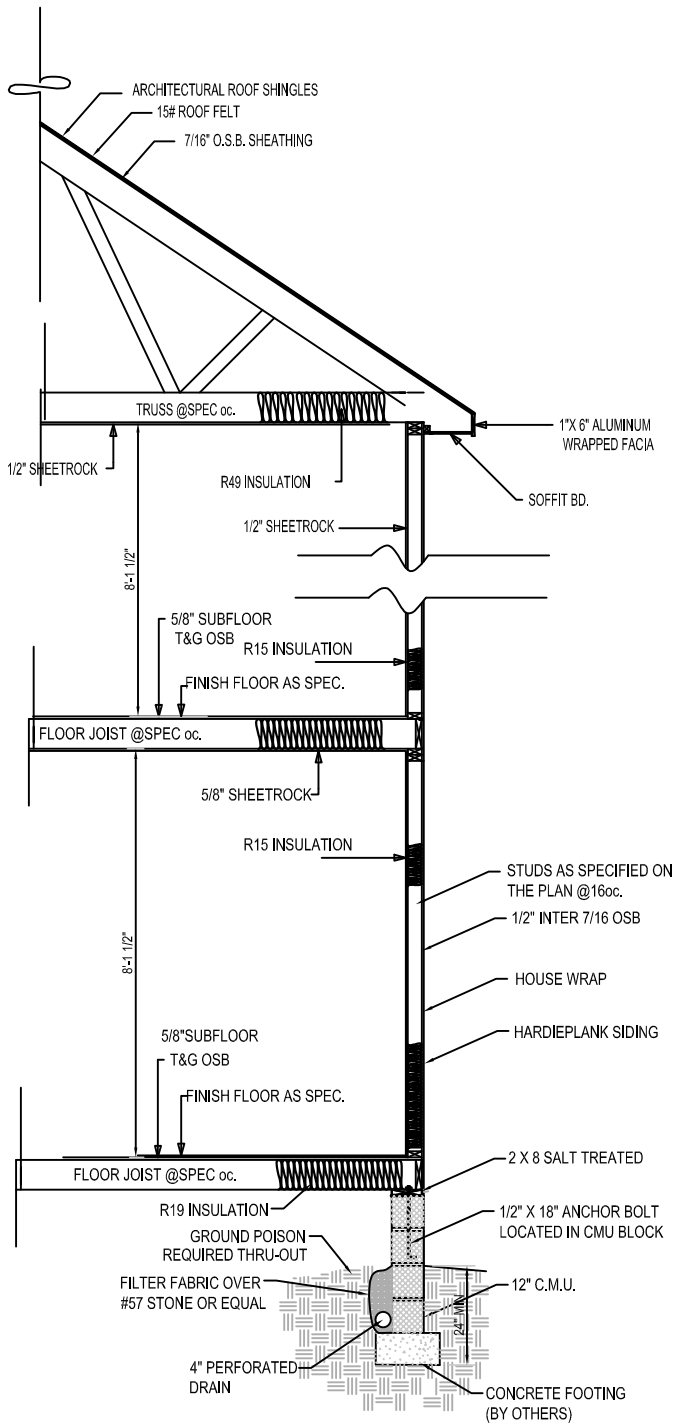
LEFT ELEVATION

Address:	REVISIONS:	09/20/23
DATE:	07/20/23	
SCALE:	1/8"=1'-0"	

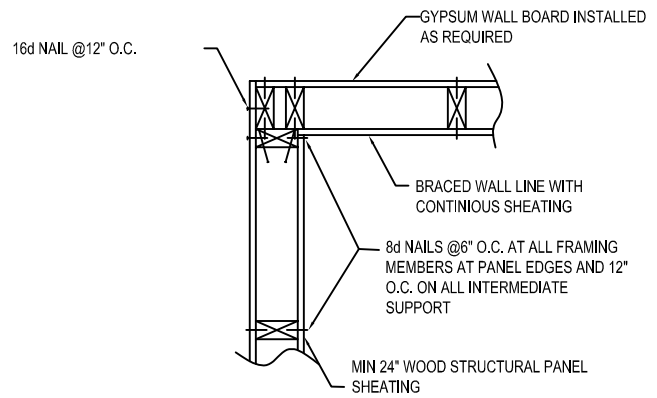
Address:		07/20/23	1/8"-1-0'
DATE:		12/23/23	SCALE:
REVISIONS:		09/20/23	SHEET 6 OF 7

RIGHT ELEVATION

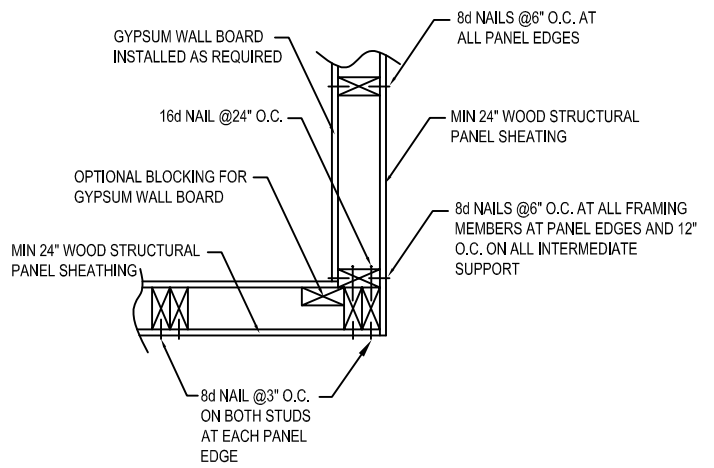




OUTSIDE CORNER DETAIL



INSIDE CORNER DETAIL



TYP EXTERIOR CORNER FRAMING FOR CONTINUOUS SHEATHING

EXTERIOR CORNER FRAMING

N.T.S.

DETAILS		
Address:	REVISIONS:	09/20/23
DATE:	07/20/23	
SCALE:	1/4"-1-0'	SHEET 7 OF 7





**City of Richmond  
Department of Planning  
& Development Review**

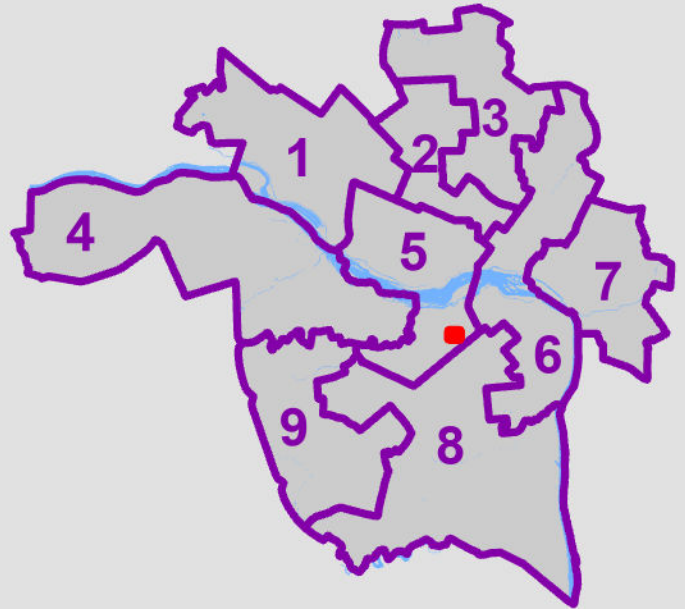
**Special Use Permit**

**LOCATION:** 2501 Porter Street

**APPLICANT:** Viaco LLC

**COUNCIL DISTRICT:** 5

**PROPOSAL:** To authorize the special use of the property known as 2501 Porter Street for the purpose of a two-family detached dwelling, upon certain terms and conditions



*For questions, please contact David Watson  
at 804-646-1036 or David.Watson@RVA.gov*

