



COMMISSION OF ARCHITECTURAL REVIEW

APPLICATION FOR CERTIFICATE OF APPROPRIATENESS

PROPERTY (location of work)

Address 123 W. BROAD ST

Historic district BROAD STREET

Date/time rec'd: 4-24-18 9:08
Rec'd by: KC
Application #: COA-034549-2018
Hearing date: 5/22/2018

APPLICANT INFORMATION

Name SAM STEIN

Phone 804-402-7880

Company CONTINENTAL HOME IMPROVEMENT

Email CHI1993@VERIZON.NET

Mailing Address 12456 GAYTON STATION BLVD
HENRICO VIRGINIA 23233

Applicant Type: Owner Agent
 Lessee Architect Contractor
Other (please specify): _____

OWNER INFORMATION (if different from above)

Name PLUMB KNOWLEDGE

Company SEND TO elrub4546@COMCAST.NET

Mailing Address _____

Phone _____

Email _____

PROJECT INFORMATION

Review Type: Conceptual Review Final Review

Project Type: Alteration Demolition New Construction (Conceptual Review Required)

Project Description: (attach additional sheets if needed)
REPLACING EXISTING WOOD WINDOWS WITH NEW 2 LITE WOOD WINDOWS - MATCHES EXISTING WINDOVI - WOOD INTERIOR, CLAD EXTERIOR TO MATCH COLOR OF WINDOW BRUNNLE COLOR

ACKNOWLEDGEMENT OF RESPONSIBILITY

Compliance: If granted, you agree to comply with all conditions of the COA. Revisions to approved work require staff review and may require a new application and CAR approval. Failure to comply with the COA may result in project delays or legal action. The COA is valid for one (1) year and may be extended for an additional year, upon written request.

Requirements: A complete application includes all applicable information requested on checklists to provide a complete and accurate description of existing and proposed conditions. Preliminary review meeting or site visit with staff may be necessary to process the application. Owner contact information and signature is required. Late or incomplete applications will not be considered.

Zoning Requirements: Prior to CAR review, it is the responsibility of the applicant to determine if zoning approval is required and application materials should be prepared in compliance with zoning.

Signature of Owner [Signature] Date 4/22/18



700 N

FUND CO.

FALLEN



33

41

57

32

31

44

43

52

55

30

29

42

41

54

53

28

40

39

52

51

25

24

23

38

37

36

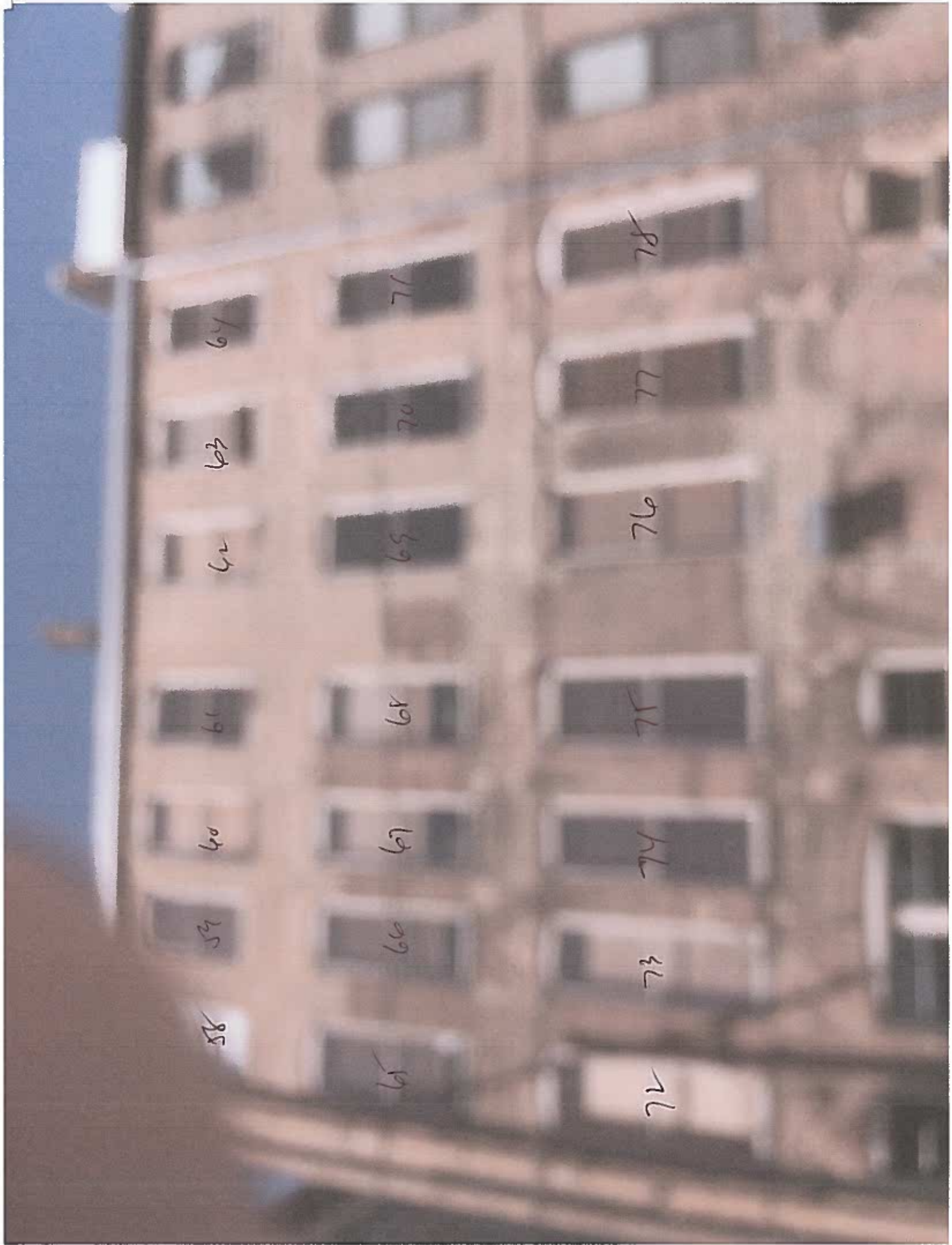
35

50

49

22

48
47
46



85

59

40

61

62

63

64

65

66

67

68

69

70

71

72

73

74

75

76

77

78

79

80

7





46

04-5



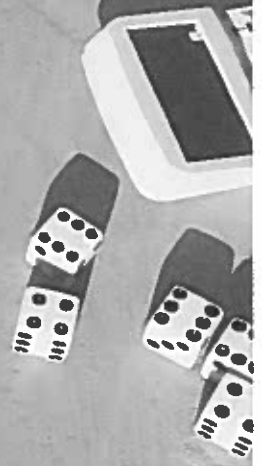
43







67







60



88





59

72





TrimLine®

WINDOWS INCORPORATED

PRODUCT SERIES: LEGENDS CLAD

PRODUCT: DR-200 (POCKET INSERT INSTALLATION DOUBLE HUNG WINDOW)

PRODUCT SPECIFICATIONS

<p>FRAME</p>	<ul style="list-style-type: none"> All exterior parts are of .050 maintenance-free extruded aluminum and mitered corners are tightly joined with concealed single corner key. Jamb and head wood parts are filled to the extruded aluminum and are of kiln dried Western pine treated with a water repellent preservative and jamb/head joints are gasketed, tenoned and nailed. Frame thickness: 1 1/16" at jamb and head. Standard Jamb Depth: 3 1/4" stepped jamb for sash pocket installation. A thermally broken tri-plex sill system of wood, extruded aluminum and vinyl is mechanically fastened. Available with optional foam wrap for air tight installation.
<p>SASH</p>	<ul style="list-style-type: none"> All exterior surfaces are covered with .019 thick roll formed aluminum cladding. Silicone glazed from the interior for a positive water tight seal; sash joints are glued, tenoned and nailed from the interior. Standard sash are of the finest quality kiln dried solid select 6/4 Western Pine treated with a water repellent preservative. Optional species available are White Oak, Cherry and Mahogany. Operating sash with locking pivot shoe tilt-in and can be removed for safe easy cleaning. Overall finish sash thickness: 1 9/16"; sash profile dimensions are stiles (1 7/8"), top rail (2 5/8") bottom rail (3 1/4") and meeting rails (1 1/4"). Unequal sash heights can be specified.
<p>EXTERIOR FINISH</p>	<ul style="list-style-type: none"> For standard colors, the extruded aluminum frame is a one-coat spray applied system PPG Polytron III finish meeting the physical test requirements of AAMA 2603. The roll formed sash cladding is a reverse roll-coat system using 70% Kynar resin, meeting the physical test requirements of AAMA 2605. Standard color options are: white, bronze, earthtone, beige, black and hunter green. Custom colors available. All custom colors meet the physical test requirements of AAMA 2605.
<p>INTERIOR FINISH</p>	<ul style="list-style-type: none"> Standard in unfinished natural wood in specified species ready for paint or stain. Available (pine only) white primed or prefinished white. Contact TrimLine dealer for custom color details.
<p>HARDWARE</p>	<ul style="list-style-type: none"> Sash lock and keeper are surface mounted cam action style. Dual lock/lifts standard on units over 28" wide. Sash lifts standard at bottom rail. Recessed E-Z tilt sash release latches for top and bottom sash tilting. All hardware components are of zinc alloy in matching finish available in almond, white or bronze powder coat finish, antique brass, oil rubbed bronze or polished chrome and bright brass plated finish also available.
<p>BALANCE SYSTEM</p>	<ul style="list-style-type: none"> Concealed block and tackle system for smooth and effortless operation with locking cam action pivot shoes and never needs adjusting. AAMA 902-07 tested for over 28,000 cycles without failure. Vinyl jambliner available in almond or white.
<p>WEATHERSTRIPPING</p>	<ul style="list-style-type: none"> Head, bottom rail and meeting rail are weather sealed with almond color compression seal foam Q-Lon®; dual Fin-Seal® and Q-Lon® at vertical stile/jambliner and Fin-Seal® at the sill dam and Fin-Seal® dust plugs at meeting rails for low air-infiltration.
<p>GLASS</p>	<ul style="list-style-type: none"> Standard clear 1 1/16" thick insulating glass, consisting of "double strength" 3mm annealed glass, 7/16" airspace using warm edge dual seal silicone foam Super Spacer, hermetically sealed with hot melt butyl. All insulating glass units meets IGMA requirements as per ASTM E2190. Other glazing options include Comfort Plus Low E with argon gas, obscure, tempered, laminated, bronze or grey tint.
<p>INSECT SCREENS</p>	<ul style="list-style-type: none"> Standard full screen of .019 thick roll formed aluminum, spring loaded plunger hardware system used to mount screen to exterior of window; crossbrace used on windows over 40" in height. Optional sliding half screen of .050 thick extruded aluminum. Standard colors available: white, bronze, earthtone, beige, black and hunter green. Custom colors also available. Charcoal fiberglass screen cloth (18 x 16 mesh) standard, optional screen mesh available in charcoal or aluminum color wire cloth or Better View™ high transparency screen in charcoal cloth only.



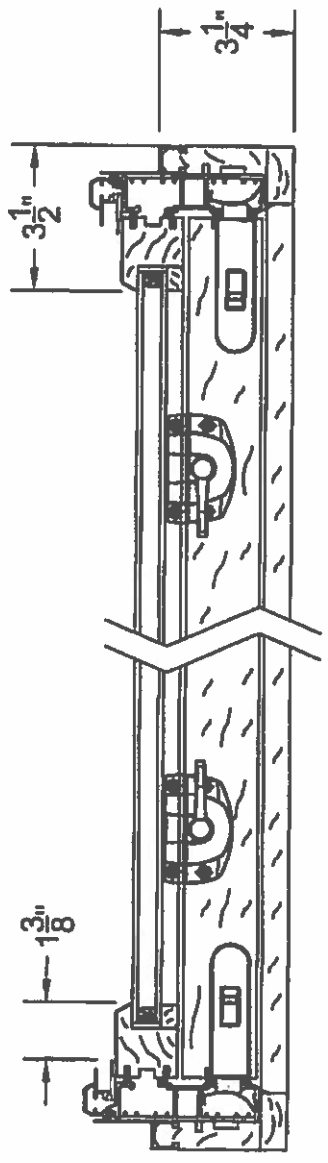
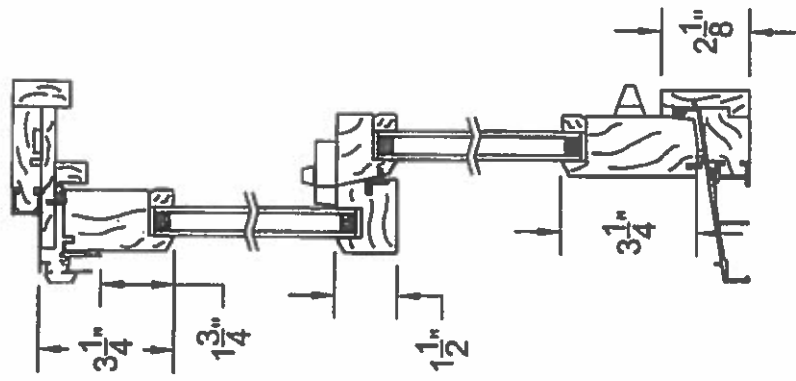
TrimLine
WINDOWS INCORPORATED

PRODUCT SERIES: LEGENDS CLAD

PRODUCT: DR-200 (POCKET INSERT INSTALLATION DOUBLE HUNG WINDOW)

PRODUCT SPECIFICATIONS

<p>GRILLES</p>	<ul style="list-style-type: none"> • Simulated Divided Lite (SDL) of .050 thick extruded aluminum in a classic putty glazed 5/8", 7/8", 1", 1 1/4" or 1 1/2" muntin profile permanently applied to exterior of the insulated glass. Double faced tape is used to apply muntin to the glass which first is prepared with a saline type glass bonding and coupling agent before muntin is applied to help ensure lasting adhesion. An optional between the glass dark bronze shadow bar is available for an authentic true divided lite look. Interior wood in pine (standard), oak, cherry or mahogany matching the interior wood species in either permanent or removable style 5/8" or 7/8" wide divided lite patterns only. Removable style not available in 1", 1 1/4", 1 1/2" widths. • Removable wood grilles: available in 5/8" or 7/8" wide classic double slatted profile matching window interior wood species in pine (standard), oak, cherry or mahogany in a wide array of standard or custom divided lite patterns only. • In-glass aluminum "GBG" (grilles between the glass) muntins are available in 5/8" flat profile or 3/4" sculptured profile in all standard exterior cladding color finishes for dust free easy cleaning. Available in either divided lite or diamond patterns. • Combo wood-aluminum 5/8" flat or 3/4" sculptured in-glass aluminum muntin with either permanently applied (see SDL) or removable wooden interior wood grille in pine (standard), oak, cherry or mahogany. 																																										
<p>ACCESSORIES</p>	<ul style="list-style-type: none"> • A standard zero clearance mull is used for factory mulling of windows without increasing the combined unit dimension of the windows mull. • Optional 2", 4" and 6" exterior spread mullion covers are also available with internal support blocking. Interior wooden mull covers in pine (standard), oak, cherry and mahogany as specified are provided loose. • 1 1/16" interior wooden jamb extension in pine (standard), oak, cherry and mahogany are factory applied to the perimeter of the window and are available in custom sizes to provide overall jamb depth up to 9" 																																										
<p>WARRANTY</p>	<ul style="list-style-type: none"> • Limited 10 year. • 20 years non-prorated on insulating glass • Non-square, decorative/leaded glass 5 years 																																										
<p>PERFORMANCE</p>	<table border="1" style="width: 100%; border-collapse: collapse;"> <thead> <tr> <th colspan="6" style="text-align: center;">Thermal Ratings</th> </tr> <tr> <th style="text-align: center;">Glazing</th> <th style="text-align: center;">U-Value</th> <th style="text-align: center;">R-Value</th> <th style="text-align: center;">SHGC</th> <th style="text-align: center;">V.I.</th> <th style="text-align: center;">CRE</th> </tr> </thead> <tbody> <tr> <td style="text-align: center;">Clear</td> <td style="text-align: center;">47</td> <td style="text-align: center;">2.13</td> <td style="text-align: center;">56</td> <td style="text-align: center;">58</td> <td style="text-align: center;">43</td> </tr> <tr> <td style="text-align: center;">Low E/Argon</td> <td style="text-align: center;">30</td> <td style="text-align: center;">3.33</td> <td style="text-align: center;">28</td> <td style="text-align: center;">50</td> <td style="text-align: center;">57</td> </tr> <tr> <td style="text-align: center;">Low E(2nd & 4th surface)/Argon</td> <td style="text-align: center;">27</td> <td style="text-align: center;">3.7</td> <td style="text-align: center;">27</td> <td style="text-align: center;">47</td> <td style="text-align: center;">46</td> </tr> </tbody> </table> <table border="1" style="width: 100%; border-collapse: collapse;"> <thead> <tr> <th colspan="3" style="text-align: center;">Structural Ratings</th> </tr> <tr> <th style="text-align: center;">Test Specimen</th> <th style="text-align: center;">Air Infiltration</th> <th style="text-align: center;">DP Rating</th> </tr> </thead> <tbody> <tr> <td style="text-align: center;">38 x 60 (965 x 1524)</td> <td style="text-align: center;">.08 cfm/ft²</td> <td style="text-align: center;">R50</td> </tr> <tr> <td style="text-align: center;">44 x 75 (1120 x 1905)</td> <td style="text-align: center;">.08 cfm/ft²</td> <td style="text-align: center;">LC45</td> </tr> </tbody> </table>	Thermal Ratings						Glazing	U-Value	R-Value	SHGC	V.I.	CRE	Clear	47	2.13	56	58	43	Low E/Argon	30	3.33	28	50	57	Low E(2nd & 4th surface)/Argon	27	3.7	27	47	46	Structural Ratings			Test Specimen	Air Infiltration	DP Rating	38 x 60 (965 x 1524)	.08 cfm/ft ²	R50	44 x 75 (1120 x 1905)	.08 cfm/ft ²	LC45
Thermal Ratings																																											
Glazing	U-Value	R-Value	SHGC	V.I.	CRE																																						
Clear	47	2.13	56	58	43																																						
Low E/Argon	30	3.33	28	50	57																																						
Low E(2nd & 4th surface)/Argon	27	3.7	27	47	46																																						
Structural Ratings																																											
Test Specimen	Air Infiltration	DP Rating																																									
38 x 60 (965 x 1524)	.08 cfm/ft ²	R50																																									
44 x 75 (1120 x 1905)	.08 cfm/ft ²	LC45																																									
<p>TEST STANDARD</p>	<ul style="list-style-type: none"> • NFRC Certified: meets or exceeds rating and labeling requirements as per NFRC 100, 200 and 500 test procedures • AMMA/WDMA/CSA 101/1 S.2/A440-05 																																										



MY SIGNATURE BELOW INDICATES MY APPROVAL OF DESIGN AND DIMENSIONS AS SHOWN. I AUTHORIZE PRODUCTION OF SAME.

CUSTOMER: _____
 BY: _____
 DATE: _____

THE INFORMATION CONTAINED IN THIS DRAWING IS THE SOLE PROPERTY OF TRIMLINE WINDOWS INC. ANY REPRODUCTION IN PART OR AS A WHOLE WITHOUT THE WRITTEN PERMISSION OF TRIMLINE WINDOWS INC. IS PROHIBITED.

TRIMLINE
WOOD WINDOWS
 50 Louisa Drive
 Ivyland, Pennsylvania, 18914

DESCRIPTION:	DR 200		
CUSTOMER:			
SIZE:	A	SCALE:	N.T.S.
SHEET:	DRAWN BY:		J.R.S.
1 OF 1	DATE:		2/27/17
DWG #:			

Legends
CLAD SERIES

DR200
Replacement Double Hung Window

Product Details

Wood Interior / Aluminum Clad Exterior

3 1/4" Replacement Jamb for Sash Pocket Installation

3/4" Insulated glass with EnerEDGE® warm-edge spacer

Width: 14" - 48"

Height: 24" - 84"

Performance Data

ENERGY STAR® certified

U-Value (w/ Low E Glass): .30

SHGC (w/ Low E Glass): .28

Performance Class: LC-45

Documents