

OPTION  
**B**

**(1) FACE LIT CHANNEL LETTERS ON A RACEWAY**

**73.5 SQFT**

**END VIEW**

**FACES:**  
.177 WHITE ACRYLIC  
WITH FIRST SURFACE APPLIED VINYL COPY

**BACKS:**  
.040 WHITE ALUM

**TRIMCAP:**  
1" BLACK & GREEN

**RETURNS:**  
.040 ALUM. 5" BLACK & GREEN

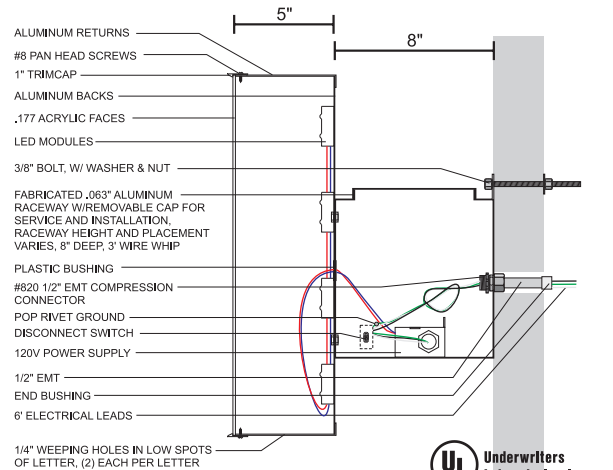
**RACEWAY:**  
8" x 8" FABRICATED ALUMINUM

**ILLUMINATION:**  
WHITE L.E.D. 120V 60W POWER SUPPLY

**COLOR KEY**

**VINYL**  
AVERY PMS 355 GREEN

**PAINT**  
BLACK  
PMS 355  
TO MATCH BRICK



**NOTES:**  
-ALL CHANNEL LETTERS MUST BE BONDED AND GROUND  
-SEAL ALL PENETRATIONS WITH CLEAR SILICONE CAULK

**UL** Underwriters  
Laboratories Inc.  
INSTALL IN ACCORDANCE WITH THE  
NEC AND LOCAL ELECTRICAL CODES.

PFCL ON RACEWAY SECTION

SCALE: N.T.S.



PROPOSED SIGNAGE. PHOTO NOT TO SCALE

**TALLEY**  
**SIGN COMPANY**  
ARCHITECTURAL & COMMERCIAL  
1908 Chamberlayne Ave. P.O. Box 27386 Richmond, Va. 23261  
Phone 804-649-0325 Fax 804-643-1721

**CLIENT:** Girls Scouts of The Commonwealth of Virginia

**DATE:** 1/22/13 **SCALE:** 1/2"= 1'-0" **JOB#:** girlsscout\_cl

**REP:** Michael Dudley **BY:** SGC

**LOC:** 4900 Augusta Ave, Richmond VA

**REVISION:**

1	2/17/14
2	
3	
4	
5	

**Notes:**

This drawing is the property of Talley Sign Company. The undersigned agrees it shall not be reproduced, copied, or disposed of directly or indirectly, nor used for any other purpose without express permission of Talley Sign Company.

**Name** \_\_\_\_\_ **Date** \_\_\_\_\_