



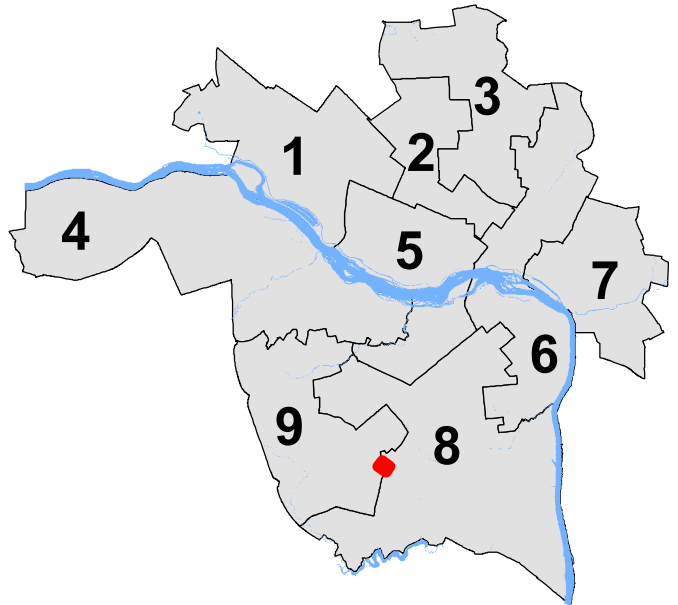
# City of Richmond Department of Planning & Development Review

## Location, Character, and Extent

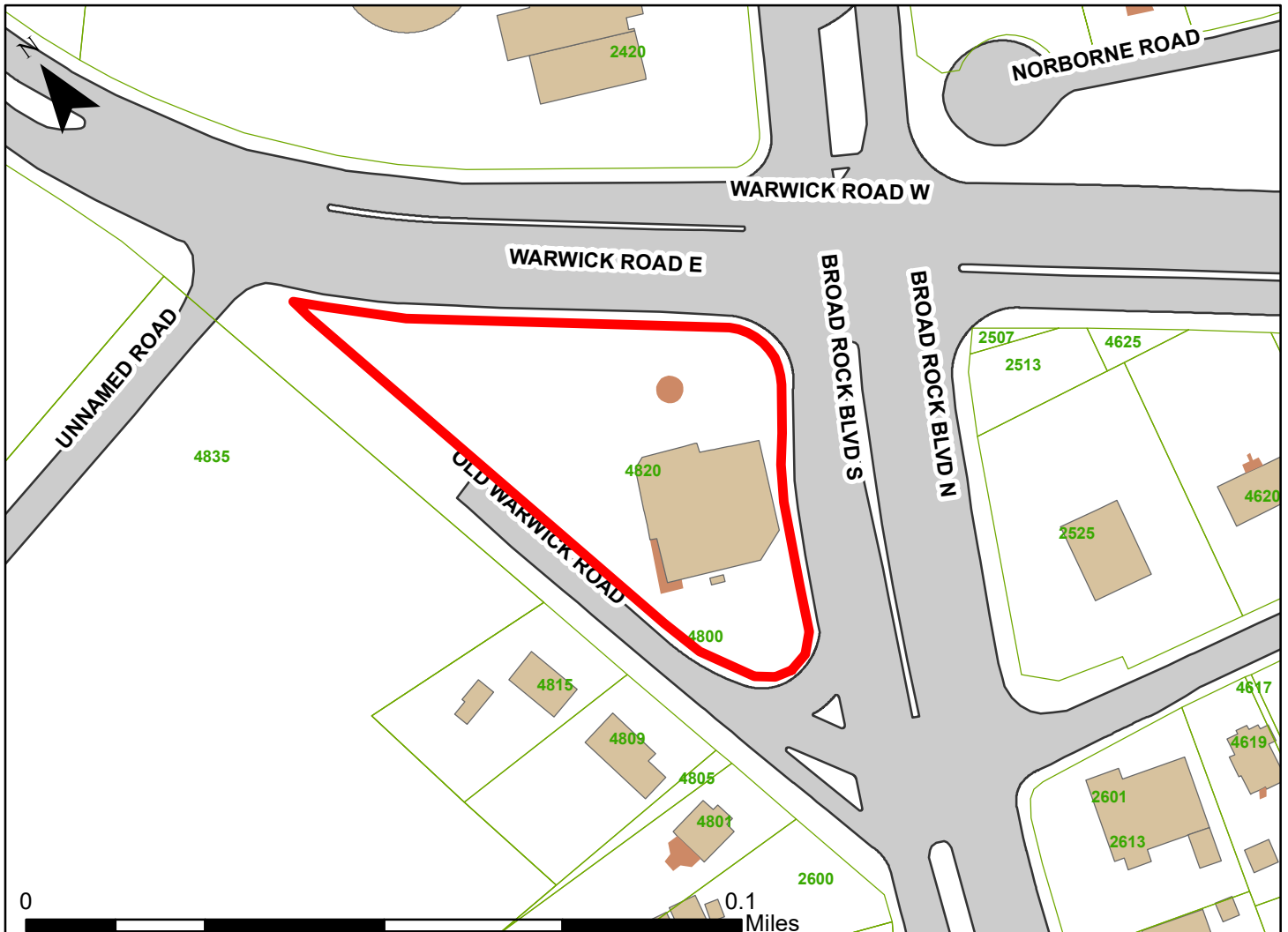
**LOCATION:** 4820 Old Warwick Road

**COUNCIL DISTRICT:** 8

**PROPOSAL:** Final review of Richmond Public Library - Broad Rock Branch Site Improvements.



*For questions, please contact Alex Dandridge  
at 646-6569 or alex.dandridge@richmondgov.com*





## Application for Urban Design Committee Review

Department of Planning and Development Review  
Planning & Preservation Division  
900 E. Broad Street, Room 510  
Richmond, Virginia 23219 | (804) 646-6335  
[www.richmondgov.com/CommitteeUrbanDesign](http://www.richmondgov.com/CommitteeUrbanDesign)



### Application Type (select one)

Location, Character, & Extent  
Section 17.05  
Other:

Encroachment  
Design Overlay District

### Review Type (select one)

Conceptual  
Final

### Project Information

Submission Date: \_\_\_\_\_

Project Name: \_\_\_\_\_

Project Address: \_\_\_\_\_

Brief Project Description (this is not a replacement for the required detailed narrative):

### Applicant Information (a City representative must be the applicant, with an exception for encroachments)

Name: \_\_\_\_\_ Email: \_\_\_\_\_

City Agency: \_\_\_\_\_ Phone: \_\_\_\_\_

Main Contact (if different from Applicant): \_\_\_\_\_

Company: \_\_\_\_\_ Phone: \_\_\_\_\_

Email: \_\_\_\_\_

### Submittal Deadlines

All applications and support materials must be filed no later than 21 days prior to the scheduled meeting of the Urban Design Committee (UDC). Please see the schedule on page 3 as actual deadlines are adjusted due to City holidays. **Late or incomplete submissions will be deferred to the next meeting.**

### Filing

Applications can be mailed or delivered to the attention of "Urban Design Committee" at the address listed at the top of this page. **It is important that the applicant discuss the proposal with appropriate City agencies, Zoning Administration staff, and area civic associations and residents prior to filing the application with the UDC.**

### Submittal Deadlines

The UDC is a ten member committee created by City Council in 1968 whose purpose is to advise the City Planning Commission (CPC) on the design of projects on City property or right-of-way. The UDC provides advice of an aesthetic nature in connection with the performance of the duties of the Commission under Sections 17.05, 17.06, and 17.07 of the City Charter. The UDC also advises the Department of Public Works in regards to private encroachments in the public right-of-way.

# Greening Richmond Public Libraries

IMPROVING THE HEALTH OF THE JAMES RIVER BY REDUCING STORMWATER POLLUTION

road Roc ranc

## Project Description

The site is located in South Richmond at the hub of a busy intersection. The property borders Broad Rock Park on the south (Broad Rock Sports Complex), which contains a remnant forest patch and riparian woodland/wetlands. This library branch is unique in that it has some established tree canopy. It also provides many services for the community beyond loaning books including technology and printing access, meeting spaces, and more. In the past community events have been held here and library staff have been successful with gardening programs for patrons. Soil infiltration values are good and well suited to managing runoff on site, and the design attempts to capture stormwater runoff before it enters the adjacent park and wetlands. This location offers wonderful opportunity to enhance the value to the community as a neighborhood and district hub and improve the connection to the park with a contiguous native tree canopy.

The purpose of the project is to develop a series of bioretention basins designed to Virginia Department of Environmental Quality standards to infiltrate storm water discharge from the roof, sidewalks, and parking lot; as well as develop an ecologically responsible landscape that can be used as an educational tool and gathering space. Impervious area and some non-native species will be removed with native plants added for shade, wildlife habitat, and other ecosystems services. The project strives to become a model of sustainable site development with educational components accomplished through the use of interpretive signage, special library programs, and community involvement and support. An arrival court and nearby seating area for multi-functional community use and outdoor gatherings will be composed of pervious pavers and seat walls. The design was informed by public charettes and the collaborative project management effort of Richmond Public Library staff, RVAH2O, The James River Association, and Four Winds Design.

This project is funded by a 319H grant from the Virginia Department of Environmental Quality (\$34,356.00), the City of Richmond Department of Public Utilities – Stormwater Utility (\$50,000.00) and supported by staff hours from The James River Association and RVAH2O with service donations from Four Winds Design. The arrival court, seat walls, seating areas, and granite benches are funded by a private donor (\$40,000.00).

Construction is tentatively scheduled to begin in March and April of 2021. Demolition and site infrastructure, large tree plantings, proposed parking lot curbs, arrival court and associated features, and bioretention basins will all be accomplished with an independent contractor. Volunteers will be used for shrub and perennial planting, mulching, and clean-up.

## Maintenance Analysis

All maintenance of RPL properties is performed by an independent contractor managed by RPL staff. The site improvements at Westover Hills Branch Library, which were completed in phases from 2014-2019, has served as maintenance testing grounds and pilot project. The current project team has met with the landscape maintenance contractor to outline the methodologies that will best suit the contractor's team and the need for more careful landscape maintenance practices than typically offered in a commercial setting. Collectively we have arrived at creating a site-specific manual for each property containing the sections outlined below. Manuals will be available in Spanish.

In addition to meeting with the contractor and his team to walk the site these manuals will be provided to the contractor and kept on site. Each site contains a “Bee Zone” that will require the extra care needed to grow herbaceous perennials. These areas are marked on site with edging of a color consistent throughout all branches and delineated in plan form in the manual. On this site the Bee Zone is defined with raised concrete boundary markers (see plans) periodically around the perimeter of the zone.

As part of the construction process the maintenance contractor will be awarded some of the plant installation work. We hope that this inclusion gives him and his employees a sense of ownership in the sites.

### **Manual Section One**

Briefly describe the intent of the project, extent of site improvements, and role of the contractor in ecosystem management. Provide a very basic site plan highlighting Bee Zones for hand weeding, no herbicide use, different mulching applications, and general careful treatment. The plan may also show areas suitable for on-site composting if applicable. DPU will provide interpretive signage for these locations at a later date. All composting areas will be surface composting only for leaves only to be used as a mulch substitute. A few key terms such as “selective pruning” and “herbaceous perennial” will be defined. The correct use of herbicides will be outlined as this is a major issue on all sites.

Note that all gutters, conveyance channels, and spillways are visually open systems that can be easily removed of debris with a blower. The maintenance of underdrain systems, all masonry surfaces, interpretive signs, and other landscape elements outside of typical landscaping is the responsibility of Richmond Public Libraries.

### **Manual Section Two**

Common plant species: provide images of groups of native plants used on site (this will be the same for all sites but not all contractor employees may work on each site) and common mistakes/ issues to be aware of:

- Ornamental grasses: These only need to be cut back once a year and need no other care
- Deciduous shrubs: Require only selective pruning once a year if at all, plant type specific
- Evergreen shrubs: Rarely require pruning except to control size
- Trees: No mulch should touch the trunk, needs only 3-4” of mulch at base
- Perennials: Know where they are and what they look like as they emerge in the spring

The above guidelines are examples only and these will be expanded upon. “If in doubt of how to treat a plant, ask first or leave it alone.”

### **Manual Section Three**

Seasonal charts capturing all landscape maintenance needs outside of lawn mowing and treatments, blowing off surfaces, and leaf removal:

- Late winter or fall pruning – when and why
- Spring/ fall plant replacements (approved by library staff)
- Activation and winterization of irrigation systems, head adjustments
- Mulching: to occur only once a year or twice a year in lighter applications at the discretion of the contractor (but we don’t need 6-8” of mulch applied per year). Planting bed edging techniques.
- Corrective tree pruning: to be performed by city arborists and Richmond Tree Stewards.
- Fertilizations: by special request of branch managers only.

A maintenance visit sequence of work will be outlined to encourage leaves to be mown into the lawn areas and any accumulated debris and leaves to be blown into designated composting areas if applicable.

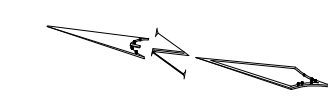
Common mistakes will be noted such as shearing shrubs with electric pruners twice a year and burying plants in mulch. Some of this will be redundant for emphasis. A clear methodology of reporting issues to branch managers such as irrigation damage will be outlined. Likewise, a methodology of branch managers reporting issues to the contractor will be defined. Responsible parties designated for all items including confirming dead/damaged beyond regrowth plants to be removed and suitable replacements. Cost for replacement manuals will be defined.

# Greening Richmond Public Libraries

IMPROVING THE HEALTH OF THE JAMES RIVER BY REDUCING STORMWATER POLLUTION

## Broad Rock Branch Library

4820 Old Warwick Road, Richmond, 23224



### Legend:

- Downspout locations
- Water Meter
- Gas Meter
- Electric Meter
- Site Pole Lights
- Telephone Pedestal
- Clean Out
- Fire Hydrant
- Water Valve
- Irrigation Valve
- Sewer Manhole
- Storm Manhole
- Storm Inlet
- Sign
- Utility Pole
- Proposed Bioretention Basins
- Proposed Granite Slab
- Benches, see image

- Existing Trees & Shrubs To Be Preserved:
- Existing Shrubs and Trees To Be Removed:

### NOTES

THE FOLLOWING ELEMENTS SHALL BE CONSISTENT BETWEEN LIBRARY BRANCHES IMPROVED UNDER THIS ENDEAVOR: ALL INTRODUCED METAL COMPONENTS INCLUDING SIGN FRAMES (TEXTURED BROWN POWDER COAT), CONVEYANCE CHANNELS (CHALET STONE IN MORTAR BED), BEE ZONE PERIMETER MARKING (BROOM FINISH CONCRETE WITH COLOR ADMIXTURE):



SEE UDC SUBMISSION APPLICATION FOR WESTOVER HILLS BRANCH FOR EXAMPLE OF INTERPRETIVE SIGN GRAPHICS AND FRAME DETAILS.

THE GRANITE BENCHES SHALL HAVE A PIECE OF EPOXY COATED REBAR SET INTO THE UNDERSIDE TO KEY INTO CONCRETE FOOTERS/ LEGS OF SIMILAR DETAIL TO THE BEE ZONE MARKERS (WITHOUT COLORING). FINAL BENCH ABOVE GRADE IS 20".

ON THIS SITE THERE ARE NO GUTTERS ASSOCIATED WITH THE PARKING LOT CURBING. THE PROPOSED CURBING AROUND THE BIORETENTION BASINS IN THE PARKING LOT WILL MATCH THIS USING CITY STANDARD CONSTRUCTION DETAILS FOR THE CURBS. CURB CUTS WILL BE LOCATED AS SHOWN TO RECEIVE RUNOFF:



Conveyance channels: ornamental gravel in 4" mortared bed, finish surface with acid wash to clean stone. Use 40% 3-5" stone and 60% 1-3" stone.

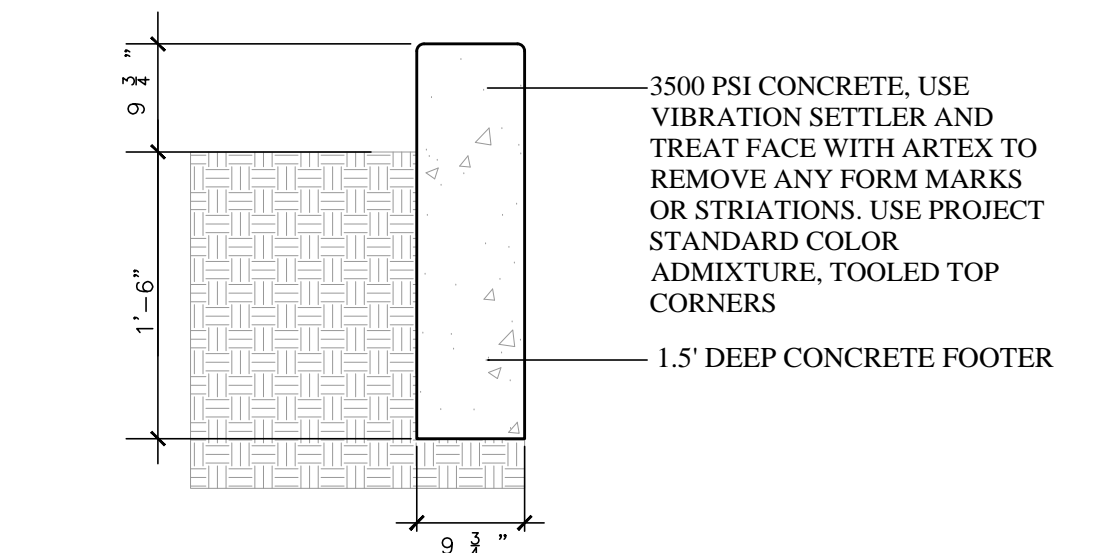
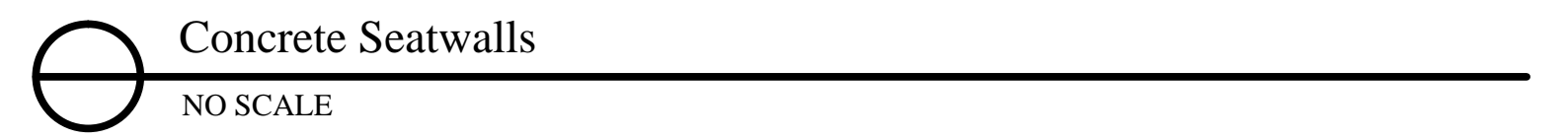
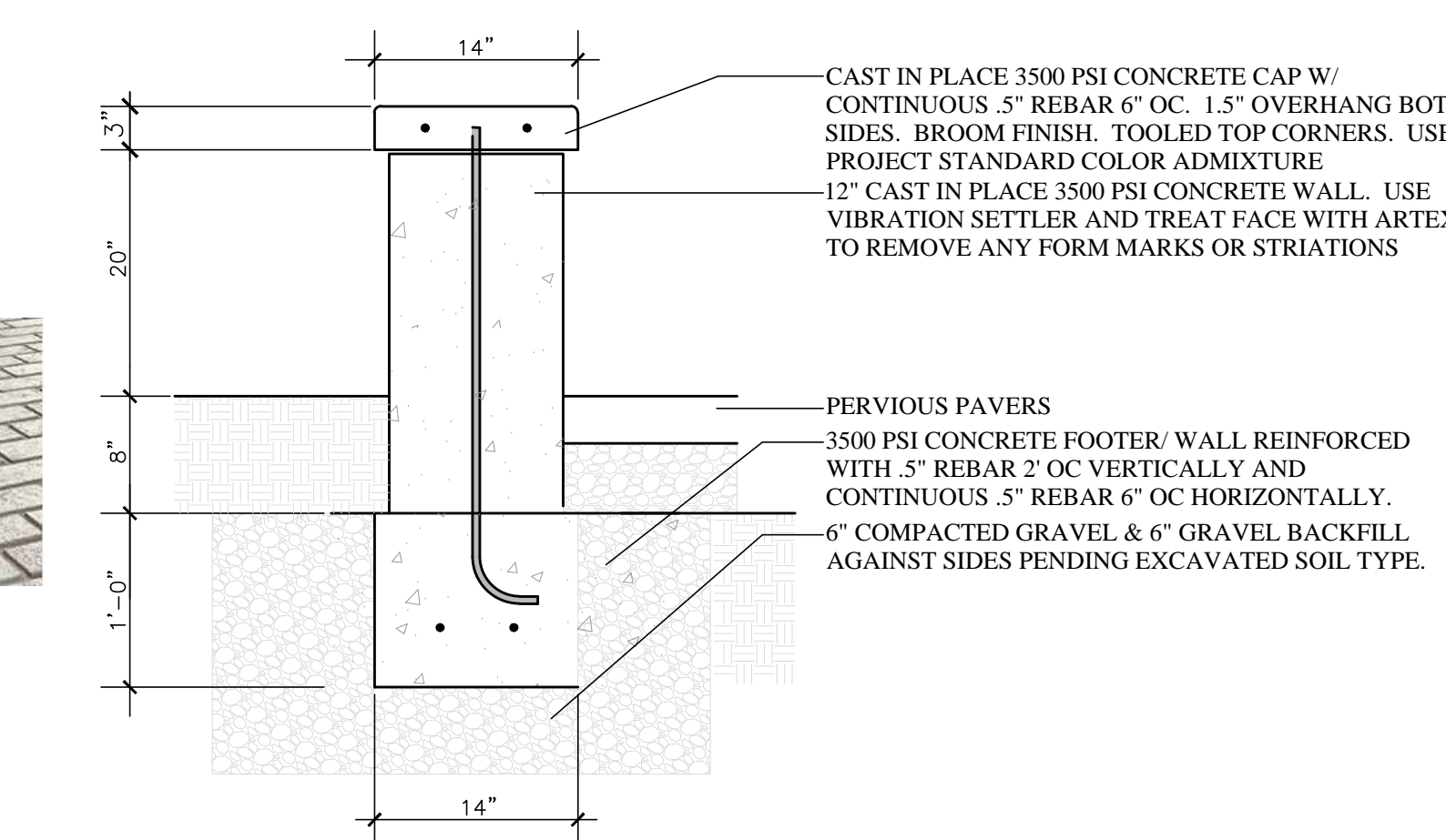


Existing Parking Lot Area to Receive Bioretention Basins



Existing Granite Slabs to be used as Benches, cinder area to be removed

Pervious Pavers: Travertina Raw by Techo Bloc in 4 1/2" x 1 1/2", stacked bond.



# Greening Richmond Public Libraries

IMPROVING THE HEALTH OF THE JAMES RIVER BY REDUCING STORMWATER POLLUTION

## Broad Rock Branch Library

4820 Old Warwick Road, Richmond, 23224



### Legend:

- Downspout locations
- Water Meter
- Gas Meter
- Electric Meter
- Site Pole Lights
- Telephone Pedestal
- Clean Out
- Fire Hydrant
- Water Valve
- Irrigation Valve
- Sewer Manhole
- Storm Manhole
- Storm Inlet
- Sign
- Utility Pole
- Proposed Bioretention Basins
- Proposed Granite Slab Benches, see image

Existing Trees & Shrubs To Be Preserved:

### PLANTING NOTES

AN IRRIGATION SYSTEM IS TO BE INSTALLED THROUGHOUT THE BEE ZONE AND ARRIVAL COURT/ SEATING AREAS AND WITHIN THE BED WEST OF THE BIKE RACK. MISTER HEADS ARE TO BE USED IN ALL AREAS WITH NO THROWS REACHING MASONRY SURFACES. LOCATE CONTROL BOX IN THE BUILDING. CONTRACTOR TO SUBMIT AN IRRIGATION SCHEMATIC TO FOUR WINDS AND HOMEOWNER FOR APPROVAL UPON BID AWARD. UPON COMPLETION CONTRACTOR SHALL FILL OUT THE ZONE LABELS IN THE CONTROL BOX AND PROVIDE A MARKED UP AND LAMINATED IRRIGATION SCHEMATIC SHOWING ZONE LOCATIONS AT 8.5" x 11".

ALL TREES AND SHRUBS SHALL CONFORM TO THE MOST RECENT EDITION OF THE AMERICAN STANDARDS FOR NURSERY STOCK, PUBLISHED BY THE AMERICAN ASSOCIATION OF NURSERYMEN. LOCALLY GROWN NURSERY STOCK SHALL BE USED FOR THE B&B VARIETIES.

THE QUALITY OF THE PLANT MATERIAL MUST BE OF A HIGH STANDARD. NO PLANTS ARE TO BE STORED ON SITE FOR LONGER THAN 48 HRS, AND ALL STORED PLANTS MUST BE KEPT IN FULL SHADE AND WATERED DAILY. CONTRACTOR SHALL PROVIDE A GUARANTEE AGAINST PLANT MORTALITY FOR A PERIOD OF ONE YEAR.

ALL PLANTING BEDS SHALL BE TREATED WITH THREE TO FOUR INCHES OF HARDWOOD DOUBLE SHREDDED MULCH DYED BROWN. COMPOST OR A BEDDING MIX SHALL BE TILLED INTO THE SOIL A DEPTH OF 4" IN ALL PLANTING AREAS EXCEPT WHERE SOIL IS TO BE REMOVED (SEE BELOW). FINISHED GRADE OF ALL TOPSOIL SHALL BE 3" BELOW HARDSCAPE ELEVATIONS.

ALL DEBRIS SHALL BE REMOVED FROM THE SOIL IN ALL PLANTING AREAS.

PLANT SUBSTITUTIONS MUST BE APPROVED BY FOUR WINDS. ONLY EASTERN NORTH AMERICAN NATIVE PLANTS MAY BE USED.

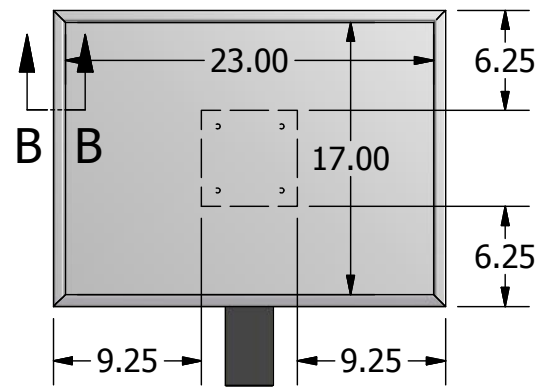
PLEASE SEE UDC APPLICATION ATTACHMENTS FOR LANDSCAPE MAINTENANCE ANALYSIS.

Plant Schedule				
Code	Botanical Name	Common Name	Quantity	Size
AA	Amelanchier arborea	Serviceberry	2	6-8'
AR	Acer rubrum 'Red Sunset'	Red Maple	3	2.5' Cal
AN	Aster novi-belgii 'Wood's Purple'	Aster	19	1 Gal
BN	Betula nigra 'Dura Heat'	Riverbirch	4	8-10'
CF	Carex flaccosperma	Sedge	42	3 Qrt
CA	Carpinus caroliniana (standard form)	American Hornbeam	4	8-10'
CC	Cercis canadensis 'Hearts of Gold'	Golden Redbud	3	2.5' Cal
CV	Chionanthus virginicus (limb up to 36")	White Fringetree	4	6-8'
CA	Coreopsis auriculata 'Nana'	Tickseed	16	1 Gal
DI	Dryopteris intermedia	Fancy Fern	28	1 Gal
HA	Hydrangea arborescens 'Incrediball'	Smooth Hydrangea	11	5 Gal
IV	Ilex vomitoria 'Bordeaux'	Dwarf Yaupon Holly	6	5 Gal
IC	Iris cristata	Iris	42	1 Gal
MV	Magnolia virginiana (standard form)	Sweetbay Magnolia	8	15 Gal
NS	Nyssa sylvatica	Tupelo	3	2' Cal
PH	Panicum virgatum 'Heavy Metal'	Switch Grass	8	3 Gal
PV	Panicum virgatum 'Shenandoah'	Switch Grass	9	3 Gal
PS	Penstemon sp 'Red Rocks'	Beard Tongue	38	1 Gal
PO	Platanus occidentalis	Sycamore	3	2.5' Cal
PQ	Phlox subulata 'Emerald Blue'	Creeping Phlox	15	1 Gal
QC	Quercus coccinea	Scarlet Oak	5	2.5' Cal
SS	Schizachyrium scoparium 'Prairie Blues'	Little Bluestem	14	1 Gal
TS	Tradescantia sp 'Good Luck'	Spiderwort	42	1 Gal
VD	Viburnum dentatum 'Blue Muffin'	Arrowwood Viburnum	4	10 Gal

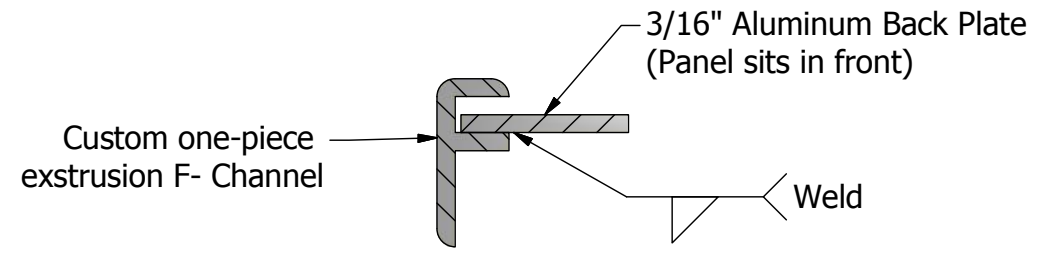
### Bee Zone Perennial Key

- A 38 Penstemon mexicali
- B 15 Phlox subulata
- C 19 Aster novi-belgii
- D 36 Tradescantia sp
- E 36 Carex flaccosperma
- F 36 Iris cristata
- G 18 Coreopsis auriculata
- H 6 Tradescantia sp
- I 6 Carex flaccosperma
- J 6 Iris cristata
- K 28 Dryopteris intermedia

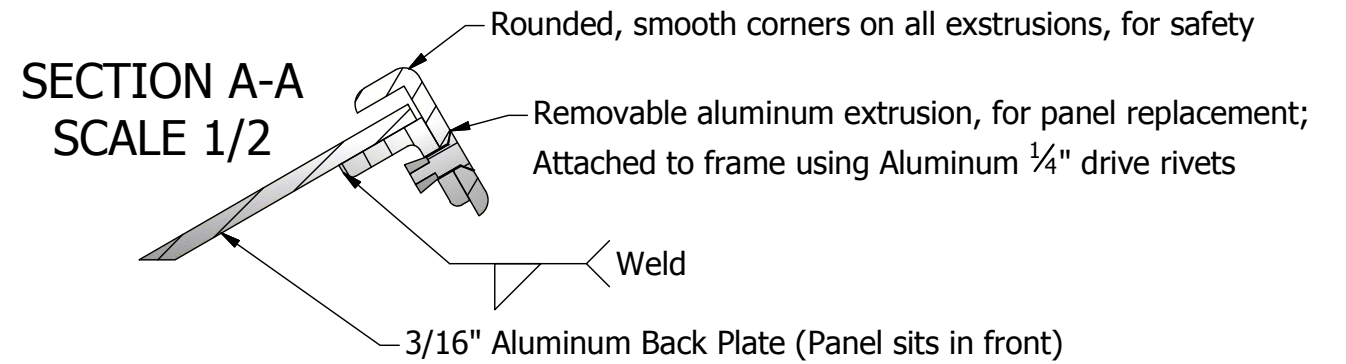




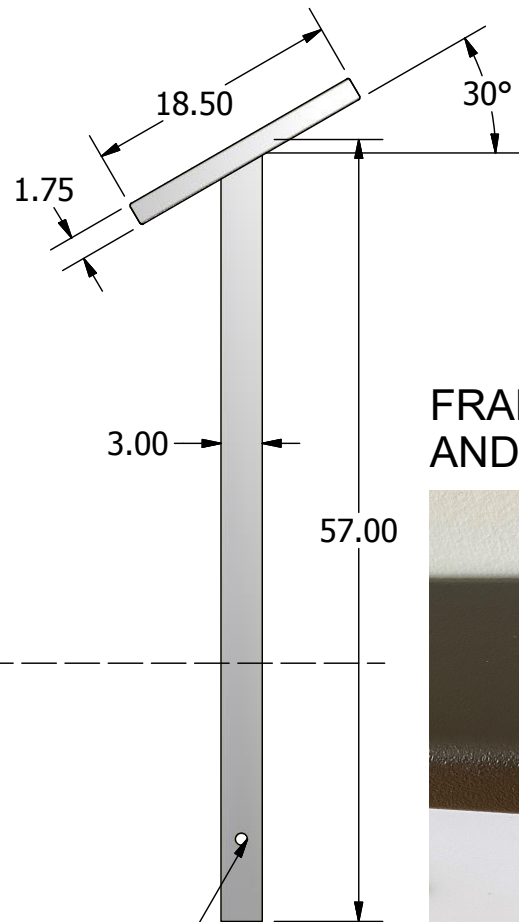
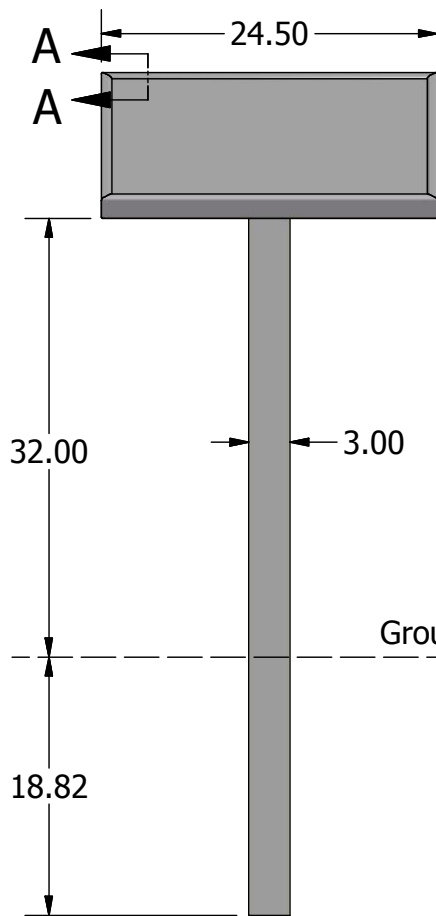
Frame has weep holes drilled along bottom for water drainage



SECTION B-B  
SCALE 1/2



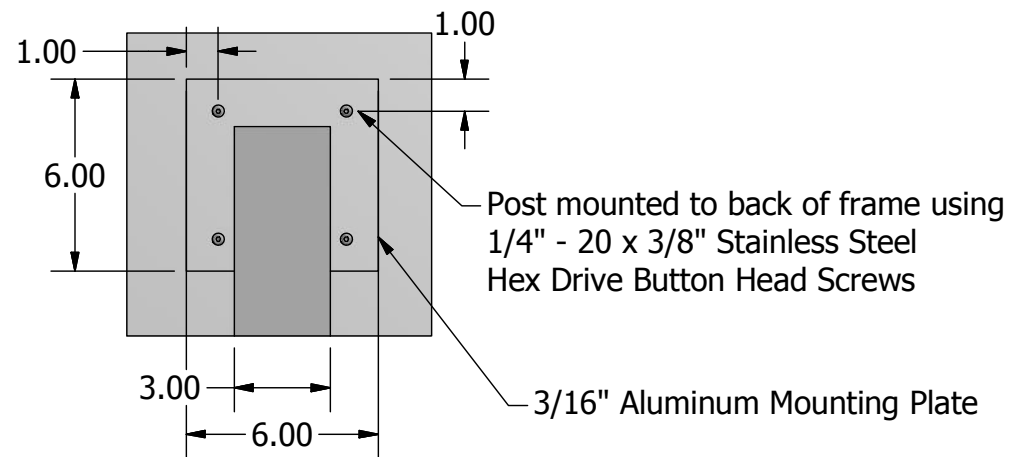
SECTION A-A  
SCALE 1/2



FRAME COLOR AND TEXTURE

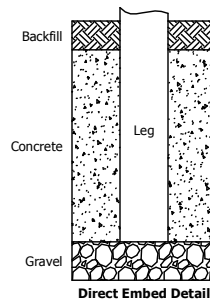


MOUNTING PLATE  
(leg to plate)



Holes for optional concrete reinforcement using steel rebar inserts

HARDWARE INCLUDED		
Type	QTY	Image
1/4"-20 x 3/8" Stainless Steel Hex Drive Button Head Screws	4 each	
5/32" Hex Key	1 each	
1/4" Aluminum Drive Rivets	2 each	

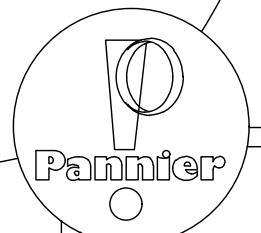


**Single Pedestal Exhibit Base**  
**James River Association**

**Frame Size:** 24.5"w x 18.5"h  
**Trim Size:** 23.875"w x 17.875"h  
**Visual Area:** 23"w x 17"h  
**Frame Color:**   
**Finish:** der Coated Textured

- Approved As Is
- Make Changes and Proceed
- Make Changes and Resubmit

CUSTOMER SIGNATURE



**Job #**  
**91336**

**Qty:**  
**1**

**Date:**  
06/15/2020

**Rev. #:**  
0

**Drawn By:**  
MLE

345 Oak Road  
Gibsonia, PA 15044  
Phone: 724.265.4900  
Fax: 724.265.4300  
www.PannierGraphics.com

\* Post holes should be dug below the frost line depth. Pannier recommends height from ground to bottom of frame to be 32".