

RSW Series

RSW™ LED Street Luminaire – Small, Medium, Large & Extra Large

Rev. Date: V8 09/02/2022

Product Description

The RSW Series, utilizing WaveMax® Technology, will transform the way utilities and municipalities light their residential streets, interchanges, and expressways. With the first viable LED streetlight at warm CCT, the RSW Series delivers up to 144 LPW, enhanced visual comfort with reduced glare and high color contrast leading to improved overall illumination using less energy. The RSW Series provides warm, inviting dark sky friendly lighting that makes good economic sense.

Applications: Residential roads, collector roads, multi-lane freeways, express ways, major roads, parking lots, and general area spaces

Performance Summary

WaveMax® Technology

Assembled in the USA by Cree Lighting from US and imported parts

Initial Delivered Lumens: 3,000 - 32,000

Efficacy: Up to 144 LPW

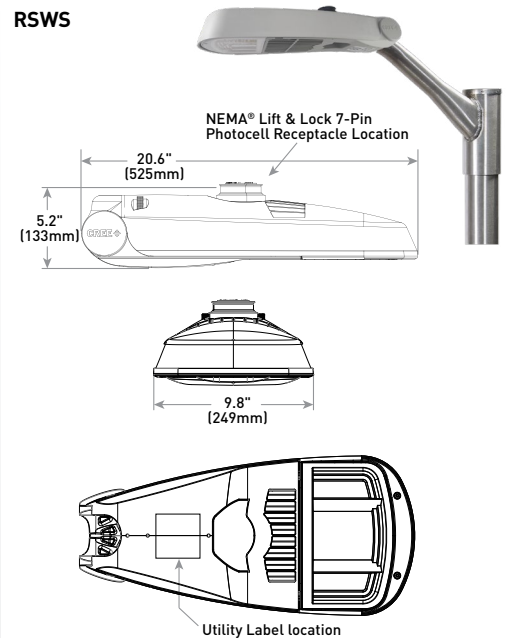
CRI: Minimum 70 CRI (3000K, 4000K & 5000K); 80 CRI (2700K, 3000K & 4000K; 3L/5L/9L lumen packages only)

CCT: 2700K, 3000K, 4000K, 5000K

Limited Warranty*: 10 years on luminaire; up to 5 years for Synapse® accessories; 1 year on luminaire accessories

*See <http://creelighting.com/warranty> for warranty terms. For Synapse accessories, consult Synapse spec sheets for details on warranty terms.

RSWS



Luminaire	Weight*
RSWS	9.4 lbs. (4.3kg)

* RSW-BLSS, RSW-CLSS, or RSW-FLSS Accessories: add 0.4 lbs. (0.2kg)

RSWM/RSWL/RSWX Luminaire - See page 14 for photos & dimensions

Ordering Information

Example: RSW-B-HT-2ME-3L-27K8-UL-GY-N

Luminaire										
RSW	B	HT						N		
Family	Size	Series	Mounting*	Optic	Lumen Package***	CCT/CRI	Voltage	Color Options	Utility Label/Receptacle	Options
RSW	S Small M Medium L Large X Extra Large	B	HT Horizontal Tenon	2LG** Type II Long 2ME** Type II Medium 3ME** Type III Medium	Small 3L 3,000 Lumens 5L 5,000 Lumens 7L 7,000 Lumens 9L 9,000 Lumens 14L 14,000 Lumens 24L 24,000 Lumens 32L 32,000 Lumens	27K8 2700K, 80 CRI - Available only with 3L, 5L, or 9L lumen packages 30K7 3000K, 70 CRI 30K8 3000K, 80 CRI - Available only with 3L, 5L, or 9L lumen packages 40K7 4000K, 70CRI 40K8 4000K, 80 CRI - Available only with 3L, 5L, or 9L lumen packages 50K7 5000K, 70CRI	UL Universal 120-277V UH Universal 347-480V - Available only with medium, large or extra large lumen packages	BK Black BZ Bronze GY Grey	N Utility Label and NEMA® Lift & Lock 7-Pin Photocell Receptacle - External utility label per ANSI C136.15-2020 - 7-pin receptacle per ANSI C136.41 - Factory connected 0-10V dim leads - Requires photocell or shorting cap by others	4BLT Four Bolt Mounting - Mounts to 1.25" (32mm) IP, 1.66" (42mm) O.D. or 2" (51mm) IP, 2.375" (60mm) O.D. horizontal tenon - Available only with large or extra large lumen packages 20KV 20kV/10kA Surge Suppression - Replaces standard 10kV/5kA surge protection PP Pallet Packaging - Available only with small and medium luminaires - Multiple luminaires (up to 26 maximum per pallet for small; up to 22 maximum per pallet for medium) Q9/Q8/Q7/Q6/Q5/Q4/Q3/Q2/Q1 Field Adjustable Lumen Output - Must select Q4, Q3, Q2, or Q1 for small lumen package - Must select Q8, Q7, Q6, Q5, Q4, Q3, Q2, or Q1 for medium lumen package - Must select Q9, Q8, Q7, Q6, Q5, Q4, Q3, Q2, or Q1 for large or extra large lumen packages - Offers full range lumen adjustability - Includes wattage label for setting selected - Refer to pages 7-13 for power and lumen values - Luminaire may also be dimmed through 7-Pin receptacle with use of dimming control by others SS Stainless Steel Bolts X8/X7/X6/X5/X4/X3/X2/X1 Locked Lumen Output - Must select X3, X2, or X1 for small lumen packages - Must select X7, X6, X5, X4, X3, X2, or X1 for medium lumen package - Must select X8, X7, X6, X5, X4, X3, X2, or X1 for large or extra large lumen packages - Lumen output is permanently locked to the setting selected - Includes wattage label for setting selected - Refer to pages 7-13 for power and lumen values - Dimming is only available through 7-Pin receptacle with use of dimming control by others

* Reference EPA and pole configuration suitability data on page 6

** Available with Backlight Shield when ordered with field-installed accessory (see table on page 2)

*** Lumen Package codes identify approximate light output only. Actual lumen output levels vary depending on CCT and optic selection. Refer to Initial Delivered Lumen tables for specific lumen values



US: creelighting.com (800) 236-6800

Canada: creelighting-canada.com (800) 473-1234

CREE ⇄ **LIGHTING**

Product Specifications

WAVEMAX® TECHNOLOGY

Featuring up to 90% optical efficiency and precise control, WaveMax® Technology provides unmatched comfort and decreased LED source luminance by smoothly spreading brightness over a broader area. When integrated with luminous surfaces made of a polymer medium engineered with DiamondFacet™ optical elements, extremely high efficacy luminaires are the result – ultimately creating more visually comfortable and appealing environments while exceeding illumination performance.

CONSTRUCTION & MATERIALS

- Housing constructed of high strength, lightweight bulk molding compound with long weathering and durability
- UV stabilized polymeric door with handle pocket for tool-less entry
- Straight in wiring to terminal block for power input (#6-#14 AWG)
- Optic box and driver enclosure inside optic box meet IP66 requirements
- Mounts on 1.25" [32mm] IP, 1.66" [42mm] O.D. or 2" [51mm] IP, 2.375" [60mm] O.D. horizontal tenon (minimum 8" [203mm] in length) and is adjustable +/- 5" in 2.5" increments to allow for fixture leveling (two axis T-level included)
- Luminaire secures with two grade 5 steel mounting bolts w/clear zinc clad finish standard; optional 316 stainless steel mounting bolts available with SS option. Optional four bolt mounting is also available with large and extra large luminaires
- Comes standard with Utility Label per ANSI C136.15-2020 and 7-pin NEMA® Lift & Lock Photocell Receptacle per ANSI C136.41

Luminaire	Weight	Adder for Shielding		
		BLS	CLS	FLS
RSWS	9.4 lbs. [4.3kg]	0.4 lbs. [0.2kg]	0.4 lbs. [0.2kg]	0.4 lbs. [0.2kg]
RSWM	15.6 lbs. [7.1kg]	0.4 lbs. [0.2kg]	0.6 lbs. [0.3kg]	0.6 lbs. [0.3kg]
RSWL	20.2 lbs. [9.2kg]	0.6 lbs. [0.3kg]	1.0 lb. [0.5kg]	N/A
RSWX	28.8 lbs. [13.1kg]	0.8 lbs. [0.4kg]	N/A	N/A

* RSW-BLS, RSW-CLS, or RSW-FLS Accessories: add 0.4 lbs. [0.2kg]; RSW-BLSM Accessory: add 0.4 lbs. [0.2kg]; RSW-CLSM or RSW-FLSM Accessories: add 0.6 lbs. [0.3kg]; RSW-BLSL Accessory: add 0.6 lbs. [0.3kg]; RSW-CLSL Accessory: add 1.0 lb. [0.5kg]

ELECTRICAL SYSTEM

- **Input Voltage:** 120-277V or 347-480V (available only with medium, large or extra large lumen packages), 50/60Hz
- **Power Factor:** > 0.9 at full load
- **Total Harmonic Distortion:** < 20% at full load
- Integral 10kV/5kA surge suppression protection standard; 20kV/10kA surge suppression protection optional
- When code dictates fusing, a slow blow fuse or type C/D breaker should be used to address inrush current
- **10V Source Current:** 0.15mA
- **Operating Temperature Range:** -40°C - +50°C (-40°F - + 122°F) for RSWS, RSWM, RSWL-14L with Q/X1-Q/X5, and RSWX-24L with Q/X1-Q/X3; -40°C - +40°C (-40°F - + 104°F) for other RSWL and RSWX settings

REGULATORY & VOLUNTARY QUALIFICATIONS

- cULus Listed
- Suitable for wet locations
- Certified to ANSI C136.31-2001, 3G bridge and overpass vibration standards
- Meets CALTrans 611 Vibration testing
- ANSI C136.2 10kV/5kA (standard) and 20kV/10kA (optional) surge suppression protection tested in accordance with IEEE/ANSI C62.41.2
- Meets FCC Part 15, Subpart B, Class A limits for conducted and radiated emissions
- Assembled in the USA by Cree Lighting from US and imported parts
- Meets Buy American requirements within ARRA
- RoHS compliant. Consult factory for additional details
- Dark Sky Friendly, IDA Approved when ordered with 27K or 30K CCTs. Please refer to <https://www.darksky.org/our-work/lighting/lighting-for-industry/fsa/fsa-products/> for most current information
- DLC and DLC Premium qualified versions available. Please refer to <https://qpl.designlights.org/solid-state-lighting> for most current information
- **CA RESIDENTS WARNING:** Cancer and Reproductive Harm – www.p65warnings.ca.gov

Accessories

Field-Installed	
Backlight Control Shields	Cul-De-Sac Shields
RSW-BLSS (for use with small lumen packages only)	RSW-CLSS (for use with small lumen packages only)
RSW-BLSM (for use with medium lumen packages only)	RSW-CLSM (for use with medium lumen packages only)
RSW-BLSL (for use with large lumen packages only)	RSW-CLSL (for use with large lumen packages only)
RSW-BLSX (for use with extra large lumen packages only)	- Provides backlight and sidelight control
- Provides 1 mounting height cutoff	- 0.5" [13mm] 301 stainless steel construction
- 0.5" [13mm] 301 stainless steel construction	- Lumen multiplier from standard optic: 0.77 (S/M); 0.75 (L)
- Refer to initial delivered lumen tables for lumen output	Front Light Shields
Bird Guards	RSW-FLSS (for use with small lumen packages only)
RSW-BRDGRDS (for use with small lumen packages only)	RSW-FLSM (for use with medium lumen packages only)
RSW-BRDGRDM (for use with medium lumen packages only)	- Provides front light control
- 5052-H32 aluminum construction	- 0.5" [13mm] 301 stainless steel construction
Shorting Cap	- Lumen multiplier from standard optic: 0.87
XA-XSLSHRT	

Product Specifications

SYNAPSE® SIMPLYSNAP INTELLIGENT CONTROL FOR NON-STREET LIGHTING APPLICATIONS ONLY

The RSW Series is compatible with the Synapse® SimplySNAP platform. A highly intuitive connected lighting solution for Site and Area applications only. The system features a reliable and robust selfhealing mesh network with a browser-based interface that runs on smartphones, tablets, and PCs.

Using a Twist-Lock Lighting Controller and Site Controller, SimplySnap provides: energy productivity, code compliance and a better light experience for non-street lighting installations. SimplySNAP is optimized to create and manage networks for campus wide Area and Site applications which differs from networking requirements for street lighting applications. Controller (TL7-B2) and Site Controller (SS450-002) take the RSW Series to a new performance plateau, providing extreme energy productivity, code compliance and a better light experience.

Synapse Wireless Control Accessories	
Twist-Lock Lighting Controller TL7-B2 - Suitable for 120-277V (UL) voltage only - Requires NEMA/ANSI C136.41 7-Pin Dimming Receptacle - Provides On/Off switching, dimming, power metering, digital sensor input, and status monitoring of luminaire - Refer to TL7-B2 spec sheet for details	Synapse Wireless Sensor WSN-DPM - Motion and light sensor - Control multiple zones - Refer to WSN-DPM spec sheet for details
Twist-Lock Lighting Controller TL7-HVG - Suitable for 120-480V (UL and UH) voltage - Requires NEMA/ANSI C136.41 7-Pin Dimming Receptacle - Provides On/Off switching, dimming, power metering, digital sensor input, and status monitoring of luminaire - Refer to TL7-HVG spec sheet for details	SimplySNAP On-Site Controller SS450-002 - Verizon® LTE-enabled - Designed for indoor applications - Refer to SS450-002 spec sheet for details
SimplySNAP Central Base Station CBS5W-450-002 - Includes On-Site Controller (SS450-002) and 5-button switch - Indoor and Outdoor rated - Refer to CBS5W-450-002 spec sheet for details	Building Management System (BMS) Gateway BMS-GW-002 - Required for BACnet integration - Refer to BMS-GW-002 spec sheet for details
	Outdoor Antennas (Optional, for increased range, 8dB gain) KIT-ANT4205M - Kit includes antenna, 20' cable and bracket KIT-ANT360 - Kit includes antenna, 30' cable and bracket KIT-ANT400 - Kit includes antenna, 50' cable and bracket - Refer to Outdoor antenna spec sheet for details

Electrical Data*									
Lumen Package	CCT/CRI	System Watts 120-480V**	Utility Wattage Label†	Total Current (A)					
				120V	208V	240V	277V	347V	480V
3L	27K8	29	30	0.25	0.14	0.13	0.11	N/A	N/A
	30K7	27	30	0.23	0.13	0.12	0.10	N/A	N/A
	30K8	29	30	0.25	0.14	0.13	0.11	N/A	N/A
	40K7	25	30	0.21	0.12	0.11	0.09	N/A	N/A
	40K8	27	30	0.23	0.13	0.12	0.10	N/A	N/A
5L	50K7	25	30	0.21	0.12	0.11	0.09	N/A	N/A
	27K8	45	50	0.38	0.22	0.19	0.16	N/A	N/A
	30K7	42	40	0.36	0.20	0.18	0.15	N/A	N/A
	30K8	45	50	0.38	0.22	0.19	0.16	N/A	N/A
	40K7	40	40	0.34	0.20	0.17	0.15	N/A	N/A
7L	40K8	45	50	0.38	0.22	0.19	0.16	N/A	N/A
	50K7	40	40	0.34	0.20	0.17	0.15	N/A	N/A
	30K7	51	50	0.43	0.25	0.21	0.19	N/A	N/A
9L	40K7	50	50	0.42	0.24	0.21	0.18	N/A	N/A
	27K8	76	80	0.64	0.37	0.32	0.28	0.22	0.16
	30K7	73	70	0.62	0.36	0.31	0.27	0.21	0.16
	30K8	76	80	0.64	0.37	0.32	0.28	0.22	0.16
	40K7	64	60	0.54	0.31	0.27	0.24	0.19	0.14
14L	40K8	76	80	0.64	0.37	0.32	0.28	0.22	0.16
	50K7	64	60	0.54	0.31	0.27	0.24	0.19	0.14
	30K7	108	110	0.91	0.52	0.46	0.40	0.31	0.23
	40K7	111	110	0.94	0.54	0.47	0.41	0.32	0.23
	50K7	111	110	0.94	0.54	0.47	0.41	0.32	0.23
24L	30K7	194	190	1.66	0.94	0.81	0.71	0.57	0.41
	40K7	167	170	1.42	0.81	0.70	0.61	0.49	0.35
	50K7	167	170	1.42	0.81	0.70	0.61	0.49	0.35
32L	30K7	248	250	2.10	1.21	1.05	0.92	0.72	0.52
	40K7	248	250	2.10	1.21	1.05	0.92	0.72	0.52
	50K7	248	250	2.10	1.21	1.05	0.92	0.72	0.52

* Electrical data at 25°C [77°F]. Actual wattage may differ by +/- 10% when operating between 120-277V or 347-480V +/- 10%. ** 3L, 5L and 7L are available with UL voltage only. † Refer to Field Adjustable Output tables beginning on page 7 for utility label lumen values.

RSW-B Series Ambient Adjusted Lumen Maintenance¹					
Ambient	Initial LMF	25K hr Reported² LMF	50K hr Reported² LMF	75K hr Reported² LMF	100K hr Reported² LMF
5°C [41°F]	1.03	1.02	1.01	1.00	0.99
10°C [50°F]	1.02	1.01	1.00	0.99	0.98
15°C [59°F]	1.02	1.01	1.00	0.99	0.98
20°C [68°F]	1.01	1.00	0.99	0.98	0.97
25°C [77°F]	1.00	0.99	0.98	0.97	0.96

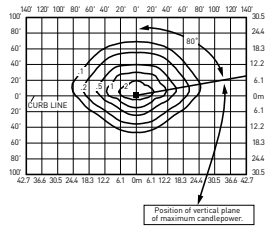
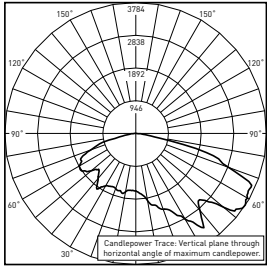
¹ Lumen maintenance values at 25°C [77°F] are calculated per IES TM-21 based on IES LM-80 report data for the LED package and in-situ luminaire testing. Luminaire ambient temperature factors [LATF] have been applied to all lumen maintenance factors. Please refer to the [Temperature Zone Reference Document](#) for outdoor average nighttime ambient conditions. ² In accordance with IES TM-21, Reported values represent interpolated values based on time durations that are up to 6x the tested duration in the IES LM-80 report for the LED.

Photometry

All published luminaire photometric testing performed to IES LM-79 standards. To obtain an IES file specific to your project consult:

<https://www.creelighting.com/products/outdoor/street-and-roadway/rsw-series>

2LG



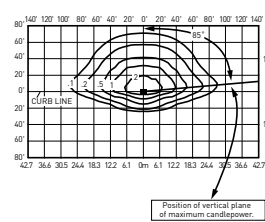
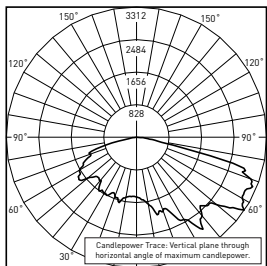
RESTL Test Report #: PL15985-001A
RSWM-B--2LG-9L-40K7-UL-**-N**
Initial Delivered Lumens: 8,575

RSWM-B--2LG-9L-40K7-UL-**-N**
Mounting Height: 25' (7.6m) A.F.G.
Initial Delivered Lumens: 9,000
Initial FC at grade

Type II Long Distribution													
Lumen Package	27K (80 CRI)		3000K (70 CRI)		3000K (80 CRI)		4000K (70 CRI)		4000K (80 CRI)		5000K (70 CRI)		
	Initial Delivered Lumens*	BUG Ratings** per TM-15-11	Initial Delivered Lumens*	BUG Ratings** per TM-15-11	Initial Delivered Lumens*	BUG Ratings** per TM-15-11	Initial Delivered Lumens*	BUG Ratings** per TM-15-11	Initial Delivered Lumens*	BUG Ratings** per TM-15-11	Initial Delivered Lumens*	BUG Ratings** per TM-15-11	
3L	3,300	B1 U0 G1	3,300	B1 U0 G1	3,300	B1 U0 G1	3,300	B1 U0 G1	3,300	B1 U0 G1	3,300	B1 U0 G1	
5L	5,000	B1 U0 G1	5,000	B1 U0 G1	5,000	B1 U0 G1	5,000	B1 U0 G1	5,000	B1 U0 G1	5,000	B1 U0 G1	
7L	N/A	N/A	6,700	B2 U0 G2	N/A	N/A	7,000	B2 U0 G2	N/A	N/A	7,000	B2 U0 G2	
9L	8,200	B2 U0 G2	9,000	B2 U0 G2	8,700	B2 U0 G2	9,000	B2 U0 G2	9,000	B2 U0 G2	9,000	B2 U0 G2	
14L	N/A	N/A	14,500	B3 U0 G3	N/A	N/A	14,500	B3 U0 G3	N/A	N/A	14,500	B3 U0 G3	
24L	N/A	N/A	24,000	B3 U0 G3	N/A	N/A	24,000	B3 U0 G3	N/A	N/A	24,000	B3 U0 G3	
32L	N/A	N/A	29,000	B3 U0 G3	N/A	N/A	32,000	B4 U0 G4	N/A	N/A	32,000	B4 U0 G4	

* Initial delivered lumens at 25°C [77°F]. Actual production yield may vary between -10 and +10% of initial delivered lumens

** For more information on the IES BUG (Backlight-Uplight-Glare) Rating visit: <https://www.ies.org/wp-content/uploads/2017/03/TM-15-11BUGRatingsAddendum.pdf>. Valid with no tilt



RESTL Test Report #: PL16167-001A
RSWS-B--2LG-9L-40K7-UL-**-N w/RSW-BLSM**
Initial Delivered Lumens: 6,379

RSWM-B--2LG-9L-40K7-UL-**-N w/RSW-BLSM**
Mounting Height: 25' (7.6m) A.F.G.
Initial Delivered Lumens: 8,250
Initial FC at grade

Type II Long Distribution w/BLS													
Lumen Package	27K (80 CRI)		3000K (70 CRI)		3000K (80 CRI)		4000K (70 CRI)		4000K (80 CRI)		5000K (70 CRI)		
	Initial Delivered Lumens*	BUG Ratings** per TM-15-11	Initial Delivered Lumens*	BUG Ratings** per TM-15-11	Initial Delivered Lumens*	BUG Ratings** per TM-15-11	Initial Delivered Lumens*	BUG Ratings** per TM-15-11	Initial Delivered Lumens*	BUG Ratings** per TM-15-11	Initial Delivered Lumens*	BUG Ratings** per TM-15-11	
3L	3,040	B1 U0 G1	3,040	B1 U0 G1	3,040	B1 U0 G1	3,040	B1 U0 G1	3,040	B1 U0 G1	3,040	B1 U0 G1	
5L	4,610	B1 U0 G1	4,610	B1 U0 G1	4,610	B1 U0 G1	4,610	B1 U0 G1	4,610	B1 U0 G1	4,610	B1 U0 G1	
7L	N/A	N/A	6,175	B1 U0 G2	N/A	N/A	6,450	B1 U0 G2	N/A	N/A	6,450	B1 U0 G2	
9L	7,525	B1 U0 G2	8,250	B1 U0 G2	7,975	B1 U0 G2	8,250	B1 U0 G2	8,250	B1 U0 G2	8,250	B1 U0 G2	
14L	N/A	N/A	12,800	B2 U0 G3	N/A	N/A	12,800	B2 U0 G3	N/A	N/A	12,800	B2 U0 G3	
24L	N/A	N/A	22,100	B3 U0 G5	N/A	N/A	22,100	B3 U0 G5	N/A	N/A	22,100	B3 U0 G5	
32L	N/A	N/A	26,700	B3 U0 G5	N/A	N/A	29,400	B3 U0 G5	N/A	N/A	29,400	B3 U0 G5	

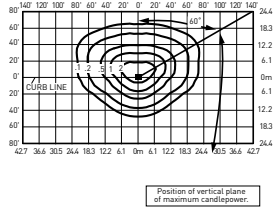
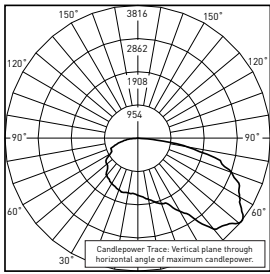
* Initial delivered lumens at 25°C [77°F]. Actual production yield may vary between -10 and +10% of initial delivered lumens

** For more information on the IES BUG (Backlight-Uplight-Glare) Rating visit: <https://www.ies.org/wp-content/uploads/2017/03/TM-15-11BUGRatingsAddendum.pdf>. Valid with no tilt

Photometry

All published luminaire photometric testing performed to IES LM-79 standards. To obtain an IES file specific to your project consult: <https://www.creelighting.com/products/outdoor/street-and-roadway/rsw-series>

2ME

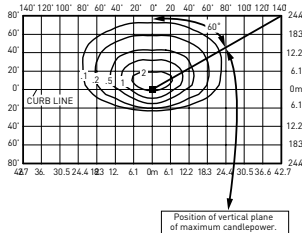
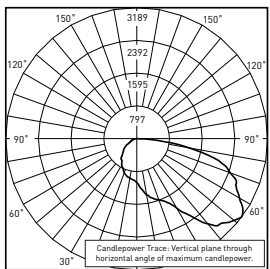


RESTL Test Report #: PL16070-001A
RSWM-B--2ME-9L-40K7-UL-**-N**
Initial Delivered Lumens: 9,166

RSWM-B--2ME-9L-40K7-UL-**-N**
Mounting Height: 25' (7.6m) A.F.G.
Initial Delivered Lumens: 9,000
 Initial FC at grade

Type II Medium Distribution													
Lumen Package	27K (80 CRI)		3000K (70 CRI)		3000K (80 CRI)		4000K (70 CRI)		4000K (80 CRI)		5000K (70 CRI)		
	Initial Delivered Lumens*	BUG Ratings** per TM-15-11	Initial Delivered Lumens*	BUG Ratings** per TM-15-11	Initial Delivered Lumens*	BUG Ratings** per TM-15-11	Initial Delivered Lumens*	BUG Ratings** per TM-15-11	Initial Delivered Lumens*	BUG Ratings** per TM-15-11	Initial Delivered Lumens*	BUG Ratings** per TM-15-11	
3L	3,300	B1 U0 G1	3,300	B1 U0 G1	3,300	B1 U0 G1	3,300	B1 U0 G1	3,300	B1 U0 G1	3,300	B1 U0 G1	
5L	5,000	B1 U0 G2	5,000	B1 U0 G2	5,000	B1 U0 G2	5,000	B1 U0 G2	5,000	B1 U0 G2	5,000	B1 U0 G2	
7L	N/A	N/A	6,700	B2 U0 G2	N/A	N/A	7,000	B2 U0 G2	N/A	N/A	7,000	B2 U0 G2	
9L	8,200	B2 U0 G2	9,000	B2 U0 G2	8,700	B2 U0 G2	9,000	B2 U0 G2	9,000	B2 U0 G2	9,000	B2 U0 G2	
14L	N/A	N/A	14,500	B3 U0 G3	N/A	N/A	14,500	B3 U0 G3	N/A	N/A	14,500	B3 U0 G3	
24L	N/A	N/A	24,000	B3 U0 G4	N/A	N/A	24,000	B3 U0 G4	N/A	N/A	24,000	B3 U0 G4	
32L	N/A	N/A	29,000	B3 U0 G4	N/A	N/A	32,000	B4 U0 G4	N/A	N/A	32,000	B4 U0 G4	

* Initial delivered lumens at 25°C (77°F). Actual production yield may vary between -10 and +10% of initial delivered lumens
 ** For more information on the IES BUG (Backlight-Uplight-Glare) Rating visit: <https://www.ies.org/wp-content/uploads/2017/03/TM-15-11BUGRatingsAddendum.pdf>. Valid with no tilt



RESTL Test Report #: PL16447-001A
RSW-B--2ME-7L-40K7-UL-**-N/W**
RSW-BLSS
Initial Delivered Lumens: 6,648

RSW-B--2ME-7L-40K7-UL-**-N/W**
RSW-BLSM
Mounting Height: 25' (7.6m) A.F.G.
Initial Delivered Lumens: 8,250
 Initial FC at grade

Type II Medium Distribution w/BLS													
Lumen Package	27K (80 CRI)		3000K (70 CRI)		3000K (80 CRI)		4000K (70 CRI)		4000K (80 CRI)		5000K (70 CRI)		
	Initial Delivered Lumens*	BUG Ratings** per TM-15-11	Initial Delivered Lumens*	BUG Ratings** per TM-15-11	Initial Delivered Lumens*	BUG Ratings** per TM-15-11	Initial Delivered Lumens*	BUG Ratings** per TM-15-11	Initial Delivered Lumens*	BUG Ratings** per TM-15-11	Initial Delivered Lumens*	BUG Ratings** per TM-15-11	
3L	3,040	B1 U0 G2	3,040	B1 U0 G2	3,040	B1 U0 G2	3,040	B1 U0 G2	3,040	B1 U0 G2	3,040	B1 U0 G2	
5L	4,610	B1 U0 G2	4,610	B1 U0 G2	4,610	B1 U0 G2	4,610	B1 U0 G2	4,610	B1 U0 G2	4,610	B1 U0 G2	
7L	N/A	N/A	6,175	B1 U0 G3	N/A	N/A	6,450	B1 U0 G3	N/A	N/A	6,450	B1 U0 G3	
9L	7,525	B1 U0 G3	8,250	B1 U0 G3	7,975	B1 U0 G3	8,250	B1 U0 G3	8,250	B1 U0 G3	8,250	B1 U0 G3	
14L	N/A	N/A	12,800	B2 U0 G3	N/A	N/A	12,800	B2 U0 G3	N/A	N/A	12,800	B2 U0 G3	
24L	N/A	N/A	22,100	B3 U0 G5	N/A	N/A	22,100	B3 U0 G5	N/A	N/A	22,100	B3 U0 G5	
32L	N/A	N/A	26,700	B3 U0 G5	N/A	N/A	29,400	B3 U0 G5	N/A	N/A	29,400	B3 U0 G5	

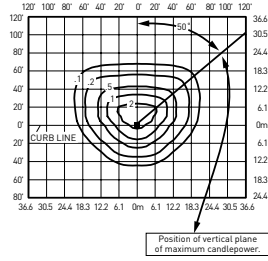
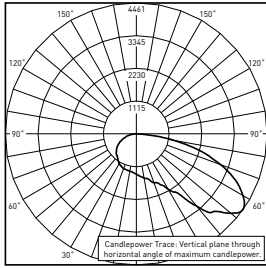
* Initial delivered lumens at 25°C (77°F). Actual production yield may vary between -10 and +10% of initial delivered lumens
 ** For more information on the IES BUG (Backlight-Uplight-Glare) Rating visit: <https://www.ies.org/wp-content/uploads/2017/03/TM-15-11BUGRatingsAddendum.pdf>. Valid with no tilt

Photometry

All published luminaire photometric testing performed to IES LM-79 standards. To obtain an IES file specific to your project consult:

<https://www.creelighting.com/products/outdoor/street-and-roadway/rsw-series>

3ME



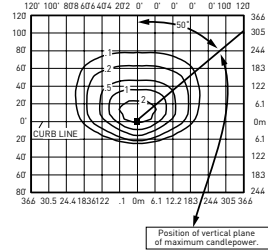
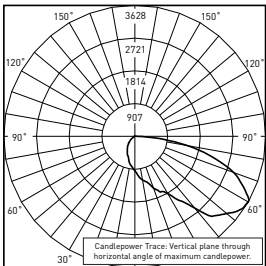
RESTL Test Report #: PL15958-001A
RSWM-B--3ME-9L-40K7-UL-**-N**
Initial Delivered Lumens: 8,705

RSWM-B--3ME-9L-40K7-UL-**-N**
Mounting Height: 25' (7.6m) A.F.G.
Initial Delivered Lumens: 9,000
Initial FC at grade

Type III Medium Distribution												
Lumen Package	27K (80 CRI)		3000K (70 CRI)		3000K (80 CRI)		4000K (70 CRI)		4000K (80 CRI)		5000K (70 CRI)	
	Initial Delivered Lumens*	BUG Ratings** per TM-15-11	Initial Delivered Lumens*	BUG Ratings** per TM-15-11	Initial Delivered Lumens*	BUG Ratings** per TM-15-11	Initial Delivered Lumens*	BUG Ratings** per TM-15-11	Initial Delivered Lumens*	BUG Ratings** per TM-15-11	Initial Delivered Lumens*	BUG Ratings** per TM-15-11
3L	3,300	B1 U0 G1	3,300	B1 U0 G1	3,300	B1 U0 G1	3,300	B1 U0 G1	3,300	B1 U0 G1	3,300	B1 U0 G1
5L	5,000	B1 U0 G1	5,000	B1 U0 G1	5,000	B1 U0 G1	5,000	B1 U0 G1	5,000	B1 U0 G1	5,000	B1 U0 G1
7L	N/A	N/A	6,700	B1 U0 G2	N/A	N/A	7,000	B1 U0 G2	N/A	N/A	7,000	B1 U0 G2
9L	8,200	B2 U0 G2	9,000	B2 U0 G2	8,700	B2 U0 G2	9,000	B2 U0 G2	9,000	B2 U0 G2	9,000	B2 U0 G2
14L	N/A	N/A	14,500	B2 U0 G3	N/A	N/A	14,500	B2 U0 G3	N/A	N/A	14,500	B2 U0 G3
24L	N/A	N/A	24,000	B3 U0 G3	N/A	N/A	24,000	B3 U0 G3	N/A	N/A	24,000	B3 U0 G3
32L	N/A	N/A	29,000	B3 U0 G4	N/A	N/A	32,000	B3 U0 G4	N/A	N/A	32,000	B3 U0 G4

* Initial delivered lumens at 25°C (77°F). Actual production yield may vary between -10 and +10% of initial delivered lumens

** For more information on the IES BUG (Backlight-Uplight-Glare) Rating visit: <https://www.ies.org/wp-content/uploads/2017/03/TM-15-11BUGRatingsAddendum.pdf>. Valid with no tilt



RESTL Test Report # PL16166-001A
RSW-B--3ME-7L-40K7-UL-**-N w/RSW-BLSM**
Initial Delivered Lumens: 6,603

RSW-B--3ME-7L-40K7-UL-**-N w/RSW-BLSM**
Mounting Height: 25' (7.6m) A.F.G.
Initial Delivered Lumens: 8,250
Initial FC at grade

Type III Medium Distribution w/BLS												
Lumen Package	27K (80 CRI)		3000K (70 CRI)		3000K (80 CRI)		4000K (70 CRI)		4000K (80 CRI)		5000K (70 CRI)	
	Initial Delivered Lumens*	BUG Ratings** per TM-15-11	Initial Delivered Lumens*	BUG Ratings** per TM-15-11	Initial Delivered Lumens*	BUG Ratings** per TM-15-11	Initial Delivered Lumens*	BUG Ratings** per TM-15-11	Initial Delivered Lumens*	BUG Ratings** per TM-15-11	Initial Delivered Lumens*	BUG Ratings** per TM-15-11
3L	3,040	B1 U0 G2	3,040	B1 U0 G2	3,040	B1 U0 G2	3,040	B1 U0 G2	3,040	B1 U0 G2	3,040	B1 U0 G2
5L	4,610	B1 U0 G2	4,610	B1 U0 G2	4,610	B1 U0 G2	4,610	B1 U0 G2	4,610	B1 U0 G2	4,610	B1 U0 G2
7L	N/A	N/A	6,175	B1 U0 G3	N/A	N/A	6,450	B1 U0 G3	N/A	N/A	6,450	B1 U0 G3
9L	7,525	B1 U0 G3	8,250	B1 U0 G3	7,975	B1 U0 G3	8,250	B1 U0 G3	8,250	B1 U0 G3	8,250	B1 U0 G3
14L	N/A	N/A	12,800	B2 U0 G3	N/A	N/A	12,800	B2 U0 G3	N/A	N/A	12,800	B2 U0 G3
24L	N/A	N/A	22,100	B3 U0 G4	N/A	N/A	22,100	B3 U0 G4	N/A	N/A	22,100	B3 U0 G4
32L	N/A	N/A	26,700	B3 U0 G5	N/A	N/A	29,400	B3 U0 G5	N/A	N/A	29,400	B3 U0 G5

* Initial delivered lumens at 25°C (77°F). Actual production yield may vary between -10 and +10% of initial delivered lumens

** For more information on the IES BUG (Backlight-Uplight-Glare) Rating visit: <https://www.ies.org/wp-content/uploads/2017/03/TM-15-11BUGRatingsAddendum.pdf>. Valid with no tilt

Luminaire EPA

Horizontal Tenon Mount – RSWS Weight: 9.4 lbs. (4.3kg); RSW-BLSS, RSW-CLSS, or RSW-FLSS Accessories: add 0.4 lbs. (0.2kg); RSWM Weight: 15.6 lbs. (7.1kg); RSW-BLSM Accessory: add 0.4 lbs. (0.2kg); RSW-CLSM or RSW-FLSM Accessories: add 0.6 lbs. (0.3kg); RSWL Weight: 20.2 lbs. (9.2kg); RSW-BLSL Accessory: add 0.6 lbs. (0.3kg); RSW-CLSL Accessory: add 1.0 lb. (0.5kg); RSWX Weight: 28.8 lbs. (13.1kg); RSW-BLSX Accessory: add 0.8 lbs. (0.4kg)

	Single	2 @ 90°	2 @ 180°	3 @ 90°	4 @ 90°
Luminaire	Tenon Configuration [0°-80° Tilt]; If used with Cree Lighting tenons, please add tenon EPA with Luminaire EPA				
	PD-1H4; PT-1H	PD-2H4(90); PT-2H(90)	PD-2H4(180); PT-2H(180)	PD-3H4(90); PT-3H(90)	PD-4H4(90); PT-4H(90)
RSWS	0.61	0.89	1.22	1.50	1.78
RSWM	0.86	1.24	1.71	2.10	2.49
RSWL	1.00	1.55	2.00	2.55	3.10
RSWX	1.17	1.93	2.33	3.09	3.85
RSWS Luminaire w/RSW-BLSS, RSW-CLSS or RSW-FLSS Accessory	0.61	1.25	1.22	1.85	2.49
RSWM Luminaire w/RSW-BLSM, RSW-CLSM or RSW-FLSM Accessory	0.86	1.59	1.71	2.45	3.19
RSWL Luminaire w/RSW-BLSL or RSW-CLSL Accessory	1.01	2.16	2.01	3.17	4.33
RSWX Luminaire w/RSW-BLSX Accessory	1.18	2.85	2.35	4.02	5.70

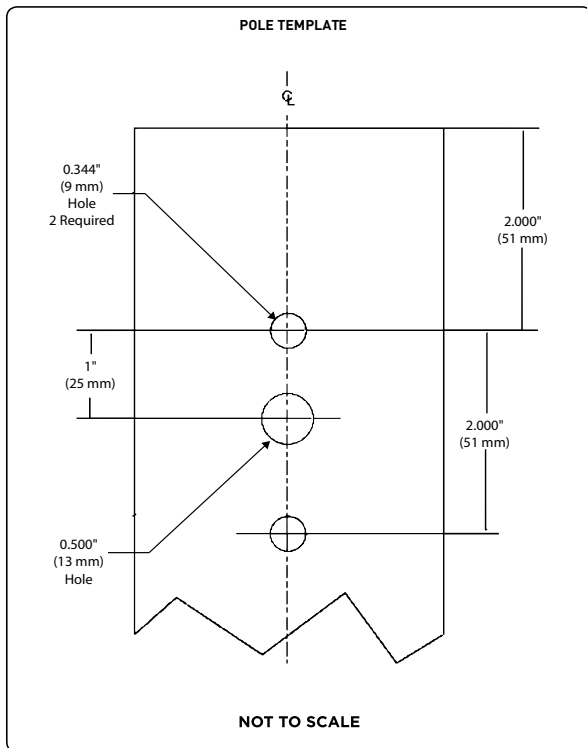
Tenon EPA

Part Number	EPA
PD Series Tenons	0.09
PT Series Tenons	0.10
WM-2L	0.13
XA-TMDA8	0.19

Tenons and Brackets [‡] (must specify color)	
<p>Square Internal Mount Horizontal Tenons (Aluminum)</p> <ul style="list-style-type: none"> - Mounts to 4" (102mm) square aluminum or steel poles PD-1H4 – Single PD-3H4(90) – 90° Triple PD-2H4(90) – 90° Twin PD-4H4(90) – 90° Quad PD-2H4(180) – 180° Twin <p>Wall Mount Brackets</p> <ul style="list-style-type: none"> - Mounts to wall or roof WM-2L – Extended Horizontal 	<p>Round External Mount Horizontal Tenons (Aluminum)</p> <ul style="list-style-type: none"> - Mounts to 2.375"-3" (60-76mm) O.D. round aluminum or steel poles or tenons PT-1H – Single PT-3H(90) – 90° Triple PT-2H(90) – 90° Twin PT-4H(90) – 90° Quad PT-2H(180) – 180° Twin <p>Direct Arm Pole Adaptor Bracket</p> <ul style="list-style-type: none"> - Mounts to 3-6" (76-152mm) round or square aluminum or steel poles XA-TMDA8

[‡] Refer to the [Bracket and Tenons spec sheet](#) for more details

Fixture Mounting Drill Pattern for XA-TMDA8



Field Adjustable Output (Q4/Q3/Q2/Q1) Option Description:

The Field Adjustable Output option enables the street and area luminaire within the RSW Series on this page to be tuned to the exact needs of a particular application through multiple levels of adjustment. When ordered with the Q option, the luminaire will be shipped from the factory at the selected lumen output, will be fully adjustable between the outputs, and will include an ANSI C136.15-2020 utility label that indicates the wattage (rounded to nearest 10W), the lumen output (rounded to nearest 1000 lumens), and the CCT of the luminaire at the selected lumen output. Additional dimming functionality is available when a dimming control (by others) is used in the 7-Pin receptacle.

Locked Lumen Output (X3/X2/X1) Option Description:

The Locked Lumen Output option on this page permanently locks the lumen output on the RSW Series street and area luminaire to the setting selected. When ordered with the X option, the luminaire will be shipped from the factory at the lumen output setting selected, and will include a utility label that indicates the wattage, lumen output, and CCT of the setting selected. When this option is selected, the luminaire output is not able to be adjusted in the field except if a dimming control (by others) is used in the 7-Pin receptacle.

Q & X Option Power & Lumen Data – 3L

Q Setting	X Setting	CCT/CRI	System Watts †	Lumen Values		Utility Label		Optics Qualified on DLC QPL		
			120-277V	2LG, 2ME, 3ME	w/BLS	Wattage	Lumens	DLC Standard	DLC Premium	
Q4 (Full Power)	N/A (Full Power)	27K8	29	3,300	3,040	30	3000 L	2LG, 2ME, 3ME	2LG, 2ME, 3ME	
		30K7	27						30	2LG, 2ME, 3ME
		30K8	29						30	2LG, 2ME, 3ME
		40K7	25						30	2LG, 2ME, 3ME
		40K8	27						30	2LG, 2ME, 3ME
		50K7	25						30	2LG, 2ME, 3ME
Q3	X3	27K8	24	2,730	2,520	20	3000 L	2LG, 2ME, 3ME	2LG, 2ME, 3ME	
		30K7	22						20	2LG, 2ME, 3ME
		30K8	24						20	2LG, 2ME, 3ME
		40K7	21						20	2LG, 2ME, 3ME
		40K8	22						20	2LG, 2ME, 3ME
		50K7	21						20	2LG, 2ME, 3ME
Q2	X2	27K8	19	2,230	2,060	20	2000 L	2LG, 2ME, 3ME	2LG, 2ME, 3ME	
		30K7	18						20	2LG, 2ME, 3ME
		30K8	19						20	2LG, 2ME, 3ME
		40K7	17						20	2LG, 2ME, 3ME
		40K8	18						20	2LG, 2ME, 3ME
		50K7	17						20	2LG, 2ME, 3ME
Q1	X1	27K8	15	1,730	1,600	20	2000 L	2LG, 2ME, 3ME	2LG, 2ME, 3ME	
		30K7	14						10	2LG, 2ME, 3ME
		30K8	15						20	2LG, 2ME, 3ME
		40K7	13						10	2LG, 2ME, 3ME
		40K8	14						10	2LG, 2ME, 3ME
		50K7	13						10	2LG, 2ME, 3ME

† Electrical and lumen data at 25°C (77°F). Actual wattage and lumen output may differ by +/-10% when operating between 120-277V +/-10%

Field Adjustable Output (Q4/Q3/Q2/Q1) Option Description:

The Field Adjustable Output option enables the street and area luminaire within the RSW Series on this page to be tuned to the exact needs of a particular application through multiple levels of adjustment. When ordered with the Q option, the luminaire will be shipped from the factory at the selected lumen output, will be fully adjustable between the outputs, and will include an ANSI C136.15-2020 utility label that indicates the wattage (rounded to nearest 10W), the lumen output (rounded to nearest 1000 lumens), and the CCT of the luminaire at the selected lumen output. Additional dimming functionality is available when a dimming control (by others) is used in the 7-Pin receptacle.

Locked Lumen Output (X3/X2/X1) Option Description:

The Locked Lumen Output option on this page permanently locks the lumen output on the RSW Series street and area luminaire to the setting selected. When ordered with the X option, the luminaire will be shipped from the factory at the lumen output setting selected, and will include a utility label that indicates the wattage, lumen output, and CCT of the setting selected. When this option is selected, the luminaire output is not able to be adjusted in the field except if a dimming control (by others) is used in the 7-Pin receptacle.

Q & X Option Power & Lumen Data – 5L

Q Setting	X Setting	CCT/CRI	System Watts †	Lumen Values		Utility Label		Optics Qualified on DLC QPL	
			120-277V	2LG, 2ME, 3ME	w/BLS	Wattage	Lumens	DLC Standard	DLC Premium
Q4 (Full Power)	N/A (Full Power)	27K8	45	5,000	4,610	5000 L	50	2LG, 2ME, 3ME	2LG, 2ME, 3ME
		30K7	42				40		
		30K8	45				50		
		40K7	40				40		
		40K8	45				50		
		50K7	40				40		
Q3	X3	27K8	40	4,610	4,250	5000 L	40	2LG, 2ME, 3ME	2LG, 2ME, 3ME
		30K7	38				40		
		30K8	40				40		
		40K7	36				40		
		40K8	40				40		
		50K7	36				40		
Q2	X2	27K8	36	4,180	3,850	4000 L	40	2LG, 2ME, 3ME	2LG, 2ME, 3ME
		30K7	34				30		
		30K8	36				40		
		40K7	33				30		
		40K8	36				40		
		50K7	33				30		
Q1	X1	27K8	32	3,720	3,430	4000 L	30	2LG, 2ME, 3ME	2LG, 2ME, 3ME
		30K7	30				30		
		30K8	32				30		
		40K7	29				30		
		40K8	32				30		
		50K7	29				30		

† Electrical and lumen data at 25°C (77°F). Actual wattage and lumen output may differ by +/-10% when operating between 120-277V +/-10%

Field Adjustable Output (Q4/Q3/Q2/Q1) Option Description:

The Field Adjustable Output option enables the street and area luminaire within the RSW Series on this page to be tuned to the exact needs of a particular application through multiple levels of adjustment. When ordered with the Q option, the luminaire will be shipped from the factory at the selected lumen output, will be fully adjustable between the outputs, and will include an ANSI C136.15-2020 utility label that indicates the wattage (rounded to nearest 10W), the lumen output (rounded to nearest 1000 lumens), and the CCT of the luminaire at the selected lumen output. Additional dimming functionality is available when a dimming control (by others) is used in the 7-Pin receptacle.

Locked Lumen Output (X3/X2/X1) Option Description:

The Locked Lumen Output option on this page permanently locks the lumen output on the RSW Series street and area luminaire to the setting selected. When ordered with the X option, the luminaire will be shipped from the factory at the lumen output setting selected, and will include a utility label that indicates the wattage, lumen output, and CCT of the setting selected. When this option is selected, the luminaire output is not able to be adjusted in the field except if a dimming control (by others) is used in the 7-Pin receptacle.

Q & X Option Power & Lumen Data – 7L

Q Setting	X Setting	CCT/CRI	System Watts [†]	Lumen Values		Utility Label		Optics Qualified on DLC QPL
			120-277V	2LG, 2ME, 3ME	w/BLS	Wattage	Lumens	DLC Premium
Q4 (Full Power)	N/A (Full Power)	30K7	51	6,700	6,175	50	7000 L	2LG, 2ME, 3ME
		40K7	50	7,000	6,450	50		2LG, 2ME, 3ME
		50K7	50	7,000	6,450	50		2LG, 2ME, 3ME
Q3	X3	30K7	45	6,125	5,650	50	6000 L	2LG, 2ME, 3ME
		40K7	45	6,400	5,900	50		2LG, 2ME, 3ME
		50K7	45	6,400	5,900	50		2LG, 2ME, 3ME
Q2	X2	30K7	40	5,475	5,050	40	5000 L	2LG, 2ME, 3ME
		40K7	39	5,700	5,260	40	6000 L	2LG, 2ME, 3ME
		50K7	39	5,700	5,260	40		2LG, 2ME, 3ME
Q1	X1	30K7	35	4,850	4,470	40	5000 L	2LG, 2ME, 3ME
		40K7	35	5,075	4,680	40		2LG, 2ME, 3ME
		50K7	35	5,075	4,680	40		2LG, 2ME, 3ME

[†] Electrical and lumen data at 25°C (77°F). Actual wattage and lumen output may differ by +/-10% when operating between 120-277V +/-10%

Field Adjustable Output (Q4/Q3/Q2/Q1) Option Description:

The Field Adjustable Output option enables the street and area luminaire within the RSW Series on this page to be tuned to the exact needs of a particular application through multiple levels of adjustment. When ordered with the Q option, the luminaire will be shipped from the factory at the selected lumen output, will be fully adjustable between the outputs, and will include an ANSI C136.15-2020 utility label that indicates the wattage (rounded to nearest 10W), the lumen output (rounded to nearest 1000 lumens), and the CCT of the luminaire at the selected lumen output. Additional dimming functionality is available when a dimming control (by others) is used in the 7-Pin receptacle.

Locked Lumen Output (X3/X2/X1) Option Description:

The Locked Lumen Output option on this page permanently locks the lumen output on the RSW Series street and area luminaire to the setting selected. When ordered with the X option, the luminaire will be shipped from the factory at the lumen output setting selected, and will include a utility label that indicates the wattage, lumen output, and CCT of the setting selected. When this option is selected, the luminaire output is not able to be adjusted in the field except if a dimming control (by others) is used in the 7-Pin receptacle.

Q & X Option Power & Lumen Data – 9L

Q Setting	X Setting	CCT/CRI	System Watts †	Lumen Values		Utility Label		Optics Qualified on DLC QPL	
			120-277V	2LG, 2ME, 3ME	w/BLS	Wattage	Lumens	DLC Standard	DLC Premium
Q8 [Full Power]	N/A [Full Power]	27K8	76	8,200	7,525	80	9000 L	2LG, 2ME, 3ME	2LG, 2ME, 3ME
		30K7	73	9,000	8,250	70			
		30K8	76	8,700	7,975	80			
		40K7	64	9,000	8,250	60			
		40K8	76			80			
		50K7	64			60			
Q7	X7	27K8	73	7,925	7,275	70	8000 L	2LG, 2ME, 3ME	2LG, 2ME, 3ME
		30K7	70	8,700	7,975	70	9000 L		
		30K8	73	8,400	7,700	70	8000 L		
		40K7	61	8,700	7,975	60	9000 L		
		40K8	73			70			
		50K7	61			60			
Q6	X6	27K8	69	7,575	6,950	70	8000 L	2LG, 2ME, 3ME	2LG, 2ME, 3ME
		30K7	66	8,275	7,600	70			
		30K8	69	8,025	7,375	70			
		40K7	58	8,275	7,600	60			
		40K8	69			70			
		50K7	58			60			
Q5	X5	27K8	63	7,050	6,475	60	7000 L	2LG, 2ME, 3ME	2LG, 2ME, 3ME
		30K7	61	7,725	7,100	60	8000 L		
		30K8	63	7,475	6,850	60	7000 L		
		40K7	53	7,725	7,100	50	8000 L		
		40K8	63			60			
		50K7	53			50			
Q4	X4	27K8	61	6,850	6,275	60	7000 L	2LG, 2ME, 3ME	2LG, 2ME, 3ME
		30K7	59	7,500	6,875	60	8000 L		
		30K8	61	7,275	6,675	60	7000 L		
		40K7	52	7,500	6,875	50	8000 L		
		40K8	61			60			
		50K7	52			50			
Q3	X3	27K8	58	6,500	5,975	60	7000 L	2LG, 2ME, 3ME	2LG, 2ME, 3ME
		30K7	56	7,100	6,525	60			
		30K8	58	6,900	6,325	60			
		40K7	49	7,100	6,525	50			
		40K8	58			60			
		50K7	49			50			
Q2	X2	27K8	56	6,300	5,775	60	6000 L	2LG, 2ME, 3ME	2LG, 2ME, 3ME
		30K7	54	6,875	6,300	50	7000 L		
		30K8	56	6,675	6,125	60			
		40K7	47	6,875	6,300	50			
		40K8	56			60			
		50K7	47			50			
Q1	X1	27K8	49	5,625	5,175	50	6000 L	2LG, 2ME, 3ME	2LG, 2ME, 3ME
		30K7	47	6,125	5,625	50			
		30K8	49	5,975	5,475	50			
		40K7	42	6,125	5,625	40			
		40K8	49			50			
		50K7	42			40			

† Electrical and lumen data at 25°C (77°F). Actual wattage and lumen output may differ by +/-10% when operating between 120-277V or 347-480V +/-10%

Field Adjustable Output (Q4/Q3/Q2/Q1) Option Description:

The Field Adjustable Output option enables the street and area luminaire within the RSW Series on this page to be tuned to the exact needs of a particular application through multiple levels of adjustment. When ordered with the Q option, the luminaire will be shipped from the factory at the selected lumen output, will be fully adjustable between the outputs, and will include an ANSI C136.15-2020 utility label that indicates the wattage (rounded to nearest 10W), the lumen output (rounded to nearest 1000 lumens), and the CCT of the luminaire at the selected lumen output. Additional dimming functionality is available when a dimming control (by others) is used in the 7-Pin receptacle.

Locked Lumen Output (X3/X2/X1) Option Description:

The Locked Lumen Output option on this page permanently locks the lumen output on the RSW Series street and area luminaire to the setting selected. When ordered with the X option, the luminaire will be shipped from the factory at the lumen output setting selected, and will include a utility label that indicates the wattage, lumen output, and CCT of the setting selected. When this option is selected, the luminaire output is not able to be adjusted in the field except if a dimming control (by others) is used in the 7-Pin receptacle.

Q & X Option Power & Lumen Data – 14L

Q Setting	X Setting	CCT/CRI	System Watts †	Lumen Values		Utility Label		Optics Qualified on DLC QPL
			120-277V	2LG, 2ME, 3ME	w/BLS	Wattage	Lumens	DLC Premium
Q9 (Full Power)	N/A (Full Power)	30K7	108	14,500	12,800	110	15000 L	2LG, 2ME, 3ME
		40K7	111			110		2LG, 2ME, 3ME
		50K7	111			110		2LG, 2ME, 3ME
Q8	X8	30K7	103	14,025	12,400	100	14000 L	2LG, 2ME, 3ME
		40K7	105			110		2LG, 2ME, 3ME
		50K7	105			110		2LG, 2ME, 3ME
Q7	X7	30K7	97	13,400	11,825	100	13000 L	2LG, 2ME, 3ME
		40K7	99			100		2LG, 2ME, 3ME
		50K7	99			100		2LG, 2ME, 3ME
Q6	X6	30K7	93	12,950	11,450	90	13000 L	2LG, 2ME, 3ME
		40K7	95			100		2LG, 2ME, 3ME
		50K7	95			100		2LG, 2ME, 3ME
Q5	X5	30K7	85	11,950	10,550	90	12000 L	2LG, 2ME, 3ME
		40K7	86			90		2LG, 2ME, 3ME
		50K7	86			90		2LG, 2ME, 3ME
Q4	X4	30K7	79	11,175	9,875	80	11000 L	2LG, 2ME, 3ME
		40K7	80			80		2LG, 2ME, 3ME
		50K7	80			80		2LG, 2ME, 3ME
Q3	X3	30K7	70	10,175	9,000	70	10000 L	2LG, 2ME, 3ME
		40K7	71			70		2LG, 2ME, 3ME
		50K7	71			70		2LG, 2ME, 3ME
Q2	X2	30K7	63	9,225	8,150	60	9000 L	2LG, 2ME, 3ME
		40K7	64			60		2LG, 2ME, 3ME
		50K7	64			60		2LG, 2ME, 3ME
Q1	X1	30K7	57	8,425	7,450	60	8000 L	2LG, 2ME, 3ME
		40K7	57			60		2LG, 2ME, 3ME
		50K7	57			60		2LG, 2ME, 3ME

† Electrical and lumen data at 25°C (77°F). Actual wattage and lumen output may differ by +/-10% when operating between 120-277V or 347-480V +/-10%

Field Adjustable Output (Q4/Q3/Q2/Q1) Option Description:

The Field Adjustable Output option enables the street and area luminaire within the RSW Series on this page to be tuned to the exact needs of a particular application through multiple levels of adjustment. When ordered with the Q option, the luminaire will be shipped from the factory at the selected lumen output, will be fully adjustable between the outputs, and will include an ANSI C136.15-2020 utility label that indicates the wattage (rounded to nearest 10W), the lumen output (rounded to nearest 1000 lumens), and the CCT of the luminaire at the selected lumen output. Additional dimming functionality is available when a dimming control (by others) is used in the 7-Pin receptacle.

Locked Lumen Output (X3/X2/X1) Option Description:

The Locked Lumen Output option on this page permanently locks the lumen output on the RSW Series street and area luminaire to the setting selected. When ordered with the X option, the luminaire will be shipped from the factory at the lumen output setting selected, and will include a utility label that indicates the wattage, lumen output, and CCT of the setting selected. When this option is selected, the luminaire output is not able to be adjusted in the field except if a dimming control (by others) is used in the 7-Pin receptacle.

Q & X Option Power & Lumen Data – 24L

Q Setting	X Setting	CCT/CRI	System Watts †	Lumen Values		Utility Label		Optics Qualified on DLC QPL
			120-277V	2LG, 2ME, 3ME	w/BLS	Wattage	Lumens	DLC Premium
Q9 (Full Power)	N/A (Full Power)	30K7	194	24,000	22,100	190	24000 L	2LG, 2ME, 3ME
		40K7	167			170		2LG, 2ME, 3ME
		50K7	167			170		2LG, 2ME, 3ME
Q8	X8	30K7	185	23,200	21,300	190	23000 L	2LG, 2ME, 3ME
		40K7	160			160		2LG, 2ME, 3ME
		50K7	160			160		2LG, 2ME, 3ME
Q7	X7	30K7	174	22,100	20,300	170	22000 L	2LG, 2ME, 3ME
		40K7	151			150		2LG, 2ME, 3ME
		50K7	151			150		2LG, 2ME, 3ME
Q6	X6	30K7	167	21,300	19,600	170	21000 L	2LG, 2ME, 3ME
		40K7	145			150		2LG, 2ME, 3ME
		50K7	145			150		2LG, 2ME, 3ME
Q5	X5	30K7	152	19,600	18,000	150	20000 L	2LG, 2ME, 3ME
		40K7	132			130		2LG, 2ME, 3ME
		50K7	132			130		2LG, 2ME, 3ME
Q4	X4	30K7	140	18,300	16,800	140	18000 L	2LG, 2ME, 3ME
		40K7	122			120		2LG, 2ME, 3ME
		50K7	122			120		2LG, 2ME, 3ME
Q3	X3	30K7	125	16,600	15,300	130	17000 L	2LG, 2ME, 3ME
		40K7	108			110		2LG, 2ME, 3ME
		50K7	108			110		2LG, 2ME, 3ME
Q2	X2	30K7	111	15,000	13,775	110	15000 L	2LG, 2ME, 3ME
		40K7	97			100		2LG, 2ME, 3ME
		50K7	97			100		2LG, 2ME, 3ME
Q1	X1	30K7	100	13,700	12,600	100	14000 L	2LG, 2ME, 3ME
		40K7	87			90		2LG, 2ME, 3ME
		50K7	87			90		2LG, 2ME, 3ME

† Electrical and lumen data at 25°C (77°F). Actual wattage and lumen output may differ by +/-10% when operating between 120-277V or 347-480V +/-10%

Field Adjustable Output (Q4/Q3/Q2/Q1) Option Description:

The Field Adjustable Output option enables the street and area luminaire within the RSW Series on this page to be tuned to the exact needs of a particular application through multiple levels of adjustment. When ordered with the Q option, the luminaire will be shipped from the factory at the selected lumen output, will be fully adjustable between the outputs, and will include an ANSI C136.15-2020 utility label that indicates the wattage (rounded to nearest 10W), the lumen output ($\leq 24,000$ lumens rounded to nearest 1000 lumens, > 24,001 lumens rounded to the nearest 2000 lumens), and the CCT of the luminaire at the selected lumen output. Additional dimming functionality is available when a dimming control (by others) is used in the 7-Pin receptacle.

Locked Lumen Output (X3/X2/X1) Option Description:

The Locked Lumen Output option on this page permanently locks the lumen output on the RSW Series street and area luminaire to the setting selected. When ordered with the X option, the luminaire will be shipped from the factory at the lumen output setting selected, and will include a utility label that indicates the wattage, lumen output, and CCT of the setting selected. When this option is selected, the luminaire output is not able to be adjusted in the field except if a dimming control (by others) is used in the 7-Pin receptacle.

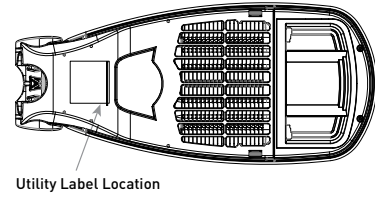
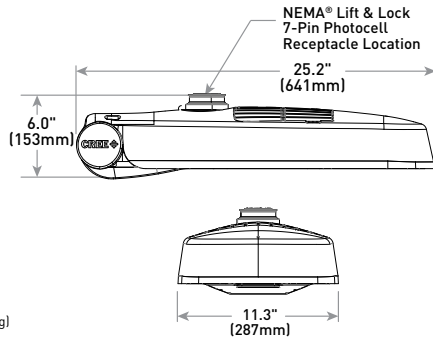
Q & X Option Power & Lumen Data – 32L

Q Setting	X Setting	CCT/CRI	System Watts †	Lumen Values		Utility Label		Optics Qualified on DLC QPL
			120-277V	2LG, 2ME, 3ME	w/BLS	Wattage	Lumens	DLC Premium
Q9 (Full Power)	N/A (Full Power)	30K7	248	29,000	26,700	250	30000 L	2LG, 2ME, 3ME
		40K7	248	32,000	29,400	250	32000 L	2LG, 2ME, 3ME
		50K7	248			250		2LG, 2ME, 3ME
Q8	X8	30K7	237	28,000	25,700	240	28000 L	2LG, 2ME, 3ME
		40K7	237	30,900	28,400	240	30000 L	2LG, 2ME, 3ME
		50K7	237			240		2LG, 2ME, 3ME
Q7	X7	30K7	223	26,800	24,600	220	26000 L	2LG, 2ME, 3ME
		40K7	223	29,600	27,200	220	30000 L	2LG, 2ME, 3ME
		50K7	223			220		2LG, 2ME, 3ME
Q6	X6	30K7	213	25,900	23,800	210	26000 L	2LG, 2ME, 3ME
		40K7	213	28,600	26,300	210	28000 L	2LG, 2ME, 3ME
		50K7	213			210		2LG, 2ME, 3ME
Q5	X5	30K7	193	23,900	22,000	190	24000 L	2LG, 2ME, 3ME
		40K7	193	26,400	24,300	190	26000 L	2LG, 2ME, 3ME
		50K7	193			190		2LG, 2ME, 3ME
Q4	X4	30K7	178	22,400	20,600	180	22000 L	2LG, 2ME, 3ME
		40K7	178	24,700	22,700	180	24000 L	2LG, 2ME, 3ME
		50K7	178			180		2LG, 2ME, 3ME
Q3	X3	30K7	159	20,300	18,700	160	20000 L	2LG, 2ME, 3ME
		40K7	159	22,400	20,600	160	22000 L	2LG, 2ME, 3ME
		50K7	159			160		2LG, 2ME, 3ME
Q2	X2	30K7	142	18,500	17,000	140	19000 L	2LG, 2ME, 3ME
		40K7	142	20,400	18,700	140	20000 L	2LG, 2ME, 3ME
		50K7	142			140		2LG, 2ME, 3ME
Q1	X1	30K7	127	16,900	15,500	130	17000 L	2LG, 2ME, 3ME
		40K7	127	18,700	17,200	130	19000 L	2LG, 2ME, 3ME
		50K7	127			130		2LG, 2ME, 3ME

† Electrical and lumen data at 25°C (77°F). Actual wattage and lumen output may differ by +/-10% when operating between 120-277V or 347-480V +/-10%

RSW™ LED Street Luminaire – Small, Medium, Large & Extra Large

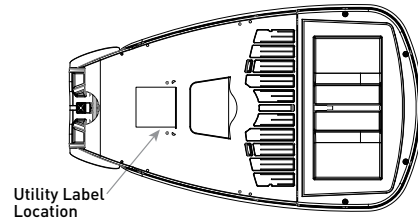
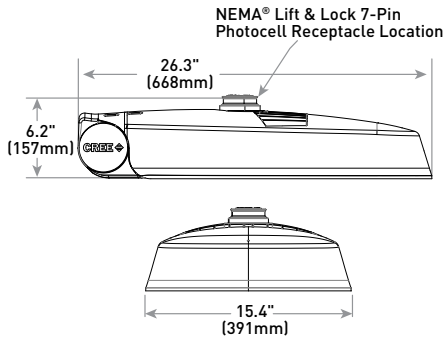
RSWM



Weight*
15.6 lbs. (7.1kg)

* RSW-BLSM Accessory: add 0.4 lbs. (0.2kg);
RSW-CLSM or RSW-FLSM Accessories: add 0.6 lbs. (0.3kg)

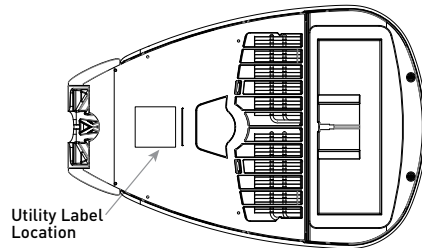
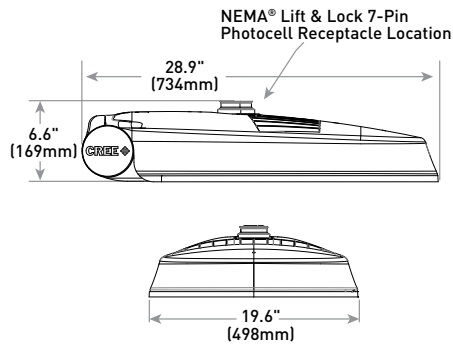
RSWL



Weight*
20.2 lbs. (9.2kg)

*RSW-BLSL Accessory: add 0.6 lbs. (0.3kg);
RSW-CLSL Accessory: add 1.0 lb. (0.5kg)

RSWX



Weight*
28.8 lbs. (13.1kg)

*RSW-BLSX Accessory: add 0.8 lbs. (0.4kg)

© 2022 Cree Lighting, A company of IDEAL INDUSTRIES. All rights reserved. For informational purposes only. Content is subject to change. Patent www.creelighting.com/patents. Cree® and the Cree Lighting logo are registered trademarks of Cree, Inc. WaveMax® is a registered trademark, and RSW™ and DiamondFacet™ are trademarks of Cree Lighting, A company of IDEAL INDUSTRIES. The UL logo is a registered trademark of UL LLC. NEMA® is a registered trademark of the National Electrical Manufacturers Association. Synapse® is a registered trademark of Synapse Wireless, Inc. Verizon® is a registered trademark of Verizon Trademark Services LLC. The DLC QPL, DLC QPL Premium and the DLC LUNA Logos are the registered and unregistered trademarks of Efficiency Forward, Inc.

US: creelighting.com (800) 236-6800
Canada: creelighting-canada.com (800) 473-1234

CREE  **LIGHTING**®

A COMPANY OF IDEAL INDUSTRIES, INC.



LumeC RoadFocus LED cobra head luminaires feature a sleek design that provides seamless replacement of existing HID luminaires. RoadFocus is available in three sizes, offers multiple lumen packages, and a complete array of optical distributions, making it an outstanding solution for all types of roadway applications. Includes Service Tag, innovative way to provide assistance throughout the life of the product.

Project: _____
 Location: _____
 Cat.No: _____
 Type: _____
 Lumens: _____ Qty: _____
 Notes: _____

Ordering guide

example: RFM-108W48LED3K-G2-R2M-UNV-DMG-HS-PH8-RCD7-GY3

Series	LED module	CCT	Generation	Distribution	Voltage	Options		Finish
						Controls ⁴	Options	
RFM			G2					
RFM RoadFocus medium	130W32LED 135W40LED ¹⁴ 55W48LED ¹² 80W48LED 108W48LED 160W48LED 50W60LED ¹⁴ 75W60LED ¹⁴ 100W60LED ¹⁴ 120W60LED ¹⁴ 150W60LED ¹⁴ 170W60LED ¹⁴	4K 4000K 3K 3000K 2.7K ¹¹ 2700K	G2 Generation 2	Type 2 R2S Type II short (ASYM) R2M Type II Medium (ASYM) Type 3 R3S Type III short (ASYM) R3M Type III Medium (ASYM) Type 4 4 Type IV (ASYM) Type 5 5 Type V (SYMM)	UNV 120-277V HVV 347-480V	D41 ¹⁶ Zhaga-D4i certified DALI ¹ Digitally addressable lighting interface DMG ⁵ 0-10V SRD ¹ Sensor ready driver, standard configuration SRD1 ¹ Sensor ready driver, alternate configuration	2C API Two clamp with 4 bolts Factory installed NEMA label, ANSI C136.15-2015 compliant FAWS ⁷ Field adjustable wattage selector CSS ^{2,15} Cul-de-Sac Shield FSS ^{2,15} Front Side Shield HS ^{2,15} House Side Shield LSS ^{2,15} Left Side Shield RSS ^{2,15} Right Side Shield NRC ⁶ No receptacle NYBC 4-position terminal block OMS ¹⁷ Outdoor Multisensor PH8 ^{1,10} Twist-lock photoelectric cell, UNV (120-277VAC) PH8/347 ^{10,13} Twist-lock photoelectric cell (347VAC) PH8/480 ^{10,13} Twist-lock photoelectric cell (480VAC) PHXL ^{1,10} Twist-lock photoelectric cell, extended life, UNV (120-277VAC) PH9 ¹⁰ Shorting cap RCD ^{3,9} Tool less receptacle for twist-lock photocell or shorting cap, 5-pin (optional) RCD7 ^{3,5} Tool less receptacle for twist-lock photocell or shorting cap, 7-pin (standard) SP2 20kV / 10kA Surge protector TLRSR ⁶ SR receptacle BAC ¹⁸ Meets the requirements of the Buy American Act of 1933 (BAA)	BK Black BR Bronze GY3 Gray WH White

¹ Not available with HVU.
² Refer to Accessories section to confirm compatibility of shields with optical distribution
³ Use of photoelectric cell or shorting cap is required to ensure proper illumination.
⁴ Select either DALI or DMG or SRD or SRD1 mandatory option.
⁵ Please note this integrated feature come standard with RoadFocus.
⁶ Only available with SRD or SRD1 Driver Options.
⁷ Only available with DMG Driver Options
⁸ Not available with PH8, PH8/347, PH8/480, PHXL, PH9, DALI, SRD or SRD1 Driver Options.
⁹ Not available with SRD Driver Options.
¹⁰ Either RCD or RCD7 must be selected for this option.
¹¹ Extended lead-time may apply. Consult factory.
¹² FAWS table accuracy +/- 15% on these models.
¹³ Not available with UNV.
¹⁴ Only available with R2M or R3M distributions.
¹⁵ 1 shield provided per LED light engine.
¹⁶ TLRSR must be selected with D41
¹⁷ TLRSR and D41 must be selected with OMS
¹⁸ Failure to properly select the "BAC" suffix could result in you receiving product that is not BAA compliant product with no recourse for an RMA or refund. This BAC designation hereunder does not address (i) the applicability of, or availability of a waiver under, the Trade Agreements Act, or (ii) the "Buy America" domestic content requirements imposed on states, localities, and other non-federal entities as a condition of receiving funds administered by the Department of Transportation or other federal agencies.
¹⁹ Consult Signify to confirm whether specific accessories are BAA-compliant.

Accessories¹⁹ (must be ordered as separate line item - quickly and easily installed in the field)

Interact City connector node (Contact the factory for additional support when connected lighting or additional services are desired.)

Shielding accessories

Description	Luminaire Option Code	Accessory Ordering Code		Shield vs Distribution Compatibility					
		12/16 LED version*	20 LED version*	R2M	R2S	R3M	R3S	4	5
Cul-de-sac shield	CSS	ACC-LG66V16LED-CSS	ACC-LG66V20LED-CSS	Yes	Yes	Yes	Yes	Yes	Yes
Front side shield	FSS	ACC-LG66V16LED-FSS	ACC-LG66V20LED-FSS	Yes	Yes	Yes	Yes	No	Yes
House side shield	HS	ACC-LG66V16LED-HS	ACC-LG66V20LED-HS	Yes	Yes	Yes	Yes	Yes	No
Left side shield	LSS	ACC-LG66V16LED-LSS	ACC-LG66V20LED-LSS	Yes	Yes	Yes	Yes	Yes	Yes
Right side shield	RSS	ACC-LG66V16LED-RSS	ACC-LG66V20LED-RSS	Yes	Yes	Yes	Yes	Yes	Yes

*Refer to Wattage table to confirm light engine configuration. Example, if configuration is 2x16LED, 2 of the desired shields must be ordered per luminaire.



RFM RoadFocus

LED Cobra head (medium)

Predicted Lumen Depreciation Data

Predicted performance derived from LED manufacturer's data and engineering design estimates, based on IESNA LM-80 methodology. Actual experience may vary due to field application conditions. L₇₀ is the predicted time when LED performance depreciates to 70% of initial lumen output. Calculated per IESNA TM21-11 Addendum B. Published L₇₀ hours limited to 6 times actual LED test hours.

Ambient Temperature °C	L70 per TM-21	Lumen Maintenance % at 60,000 hrs
25°C	>60,000 hours	>97.6%

LED Wattage values

Ordering Code	Total LEDs	Light Engine Configuration	Average System Watts ¹⁶	Wattage label ¹⁷
RFM-130W32LED	32	2x16LED	129	130
RFM-135W40LED	40	2x12LED+1x16LED	135	140
RFM-55W48LED	48	3x16LED	55	60
RFM-80W48LED	48	3x16LED	81	80
RFM-108W48LED	48	3x16LED	106	110
RFM-160W48LED ¹⁸	48	3x16LED	161	160
RFM-50W60LED	60	3x20LED	52	50
RFM-75W60LED	60	3x20LED	77	80
RFM-100W60LED	60	3x20LED	99	100
RFM-120W60LED	60	3x20LED	122	120
RFM-150W60LED	60	3x20LED	149	150
RFM-170W60LED ¹⁸	60	3x20LED	170	170

16. Typical values, rounded.

17. As per ANSI C136.15-2015. Consult factory for other labeling needs.

18. Rated for +40°C / +104°F.

4000K LED Lumen values

Ordering Code	Color Temp.	Type R2M			Type R2S			Type R3M			Type R3S			Type 4			Type 5		
		Lumen Output	Efficacy (LPW)	BUG Rating	Lumen Output	Efficacy (LPW)	BUG Rating	Lumen Output	Efficacy (LPW)	BUG Rating	Lumen Output	Efficacy (LPW)	BUG Rating	Lumen Output	Efficacy (LPW)	BUG Rating	Lumen Output	Efficacy (LPW)	BUG Rating
RFM-130W32LED	4000	14,913	116	B3-U0-G2	15,633	121	B3-U0-G2	14,971	116	B3-U0-G2	15,172	118	B2-U0-G2	14,901	116	B2-U0-G3	15,500	120	B4-U0-G2
RFM-135W40LED	4000	15,066	112	B3-U0-G3	15,794	117	B3-U0-G2	15,125	112	B3-U0-G2	15,328	114	B2-U0-G3	15,054	112	B2-U0-G3	15,659	116	B4-U0-G2
RFM-55W48LED	4000	7,747	141	B2-U0-G1	8,123	147	B2-U0-G1	7,778	141	B2-U0-G1	7,883	143	B1-U0-G2	7,742	141	B1-U0-G2	8,053	146	B3-U0-G1
RFM-80W48LED	4000	11,109	138	B2-U0-G2	11,647	145	B2-U0-G2	11,153	138	B2-U0-G2	11,302	140	B2-U0-G2	11,101	138	B2-U0-G2	11,546	143	B4-U0-G2
RFM-108W48LED	4000	14,024	132	B3-U0-G2	14,702	139	B3-U0-G2	14,079	133	B3-U0-G2	14,268	135	B2-U0-G2	14,013	132	B2-U0-G2	14,576	138	B4-U0-G2
RFM-160W48LED	4000	19,412	121	B3-U0-G3	20,351	127	B3-U0-G2	19,489	121	B3-U0-G3	19,750	123	B2-U0-G3	19,397	121	B3-U0-G3	20,176	126	B4-U0-G2
RFM-50W60LED	4000	8,038	154	B2-U0-G2	N/A	N/A	N/A	8,081	155	B2-U0-G2	N/A	N/A	N/A	N/A	N/A	N/A	N/A	N/A	N/A
RFM-75W60LED	4000	10,979	143	B2-U0-G2	N/A	N/A	N/A	11,038	143	B2-U0-G2	N/A	N/A	N/A	N/A	N/A	N/A	N/A	N/A	N/A
RFM-100W60LED	4000	13,615	138	B3-U0-G3	N/A	N/A	N/A	13,688	138	B3-U0-G2	N/A	N/A	N/A	N/A	N/A	N/A	N/A	N/A	N/A
RFM-120W60LED	4000	16,094	132	B3-U0-G3	N/A	N/A	N/A	16,181	133	B3-U0-G3	N/A	N/A	N/A	N/A	N/A	N/A	N/A	N/A	N/A
RFM-150W60LED	4000	19,078	128	B3-U0-G3	N/A	N/A	N/A	19,180	129	B3-U0-G3	N/A	N/A	N/A	N/A	N/A	N/A	N/A	N/A	N/A
RFM-170W60LED	4000	21,037	124	B3-U0-G3	N/A	N/A	N/A	21,150	124	B3-U0-G3	N/A	N/A	N/A	N/A	N/A	N/A	N/A	N/A	N/A

Actual performance may vary due to installation variables including optics, mounting/ceiling height, dirt depreciation, light loss factor, etc.; highly recommended to confirm performance with a layout - contact Applications at signify.com/outdoorluminaires. Consult DLC QPL to confirm your specific fixture selection is DLC approved.

Note: Some data may be scaled based on tests of similar but not identical luminaires.

RFM RoadFocus

LED Cobra head (medium)

3000K LED Lumen values

Ordering Code	Color Temp.	Type R2M			Type R2S			Type R3M			Type R3S			Type 4			Type 5		
		Lumen Output	Efficacy (LPW)	BUG Rating	Lumen Output	Efficacy (LPW)	BUG Rating	Lumen Output	Efficacy (LPW)	BUG Rating	Lumen Output	Efficacy (LPW)	BUG Rating	Lumen Output	Efficacy (LPW)	BUG Rating	Lumen Output	Efficacy (LPW)	BUG Rating
RFM-130W32LED	3000	13,990	109	B3-U0-G2	14,666	114	B3-U0-G2	14,045	109	B3-U0-G2	14,233	111	B2-U0-G2	13,979	109	B2-U0-G3	14,541	113	B4-U0-G2
RFM-135W40LED	3000	14,254	106	B3-U0-G3	14,944	111	B3-U0-G2	14,311	106	B3-U0-G2	14,503	107	B2-U0-G2	14,243	106	B2-U0-G3	14,815	110	B4-U0-G2
RFM-55W48LED	3000	7,268	132	B2-U0-G1	7,620	138	B2-U0-G1	7,297	132	B2-U0-G1	7,395	134	B1-U0-G2	7,263	132	B1-U0-G2	7,555	137	B3-U0-G1
RFM-80W48LED	3000	10,422	129	B2-U0-G2	10,926	136	B2-U0-G2	10,463	130	B2-U0-G2	10,603	132	B2-U0-G2	10,414	129	B2-U0-G2	10,832	134	B4-U0-G2
RFM-108W48LED	3000	13,156	124	B3-U0-G2	13,792	130	B3-U0-G2	13,208	125	B3-U0-G2	13,385	126	B2-U0-G2	13,146	124	B2-U0-G2	13,674	129	B4-U0-G2
RFM-160W48LED	3000	18,211	113	B3-U0-G3	19,092	119	B3-U0-G2	18,283	114	B3-U0-G3	18,528	115	B2-U0-G3	18,197	113	B3-U0-G3	18,928	118	B4-U0-G2
RFM-50W60LED	3000	7,643	146	B2-U0-G2	N/A	N/A	N/A	7,684	147	B2-U0-G2	N/A	N/A	N/A	N/A	N/A	N/A	N/A	N/A	N/A
RFM-75W60LED	3000	10,439	136	B2-U0-G2	N/A	N/A	N/A	10,495	136	B2-U0-G2	N/A	N/A	N/A	N/A	N/A	N/A	N/A	N/A	N/A
RFM-100W60LED	3000	12,945	131	B3-U0-G2	N/A	N/A	N/A	13,015	131	B3-U0-G2	N/A	N/A	N/A	N/A	N/A	N/A	N/A	N/A	N/A
RFM-120W60LED	3000	15,302	125	B3-U0-G3	N/A	N/A	N/A	15,384	126	B3-U0-G3	N/A	N/A	N/A	N/A	N/A	N/A	N/A	N/A	N/A
RFM-150W60LED	3000	18,139	122	B3-U0-G3	N/A	N/A	N/A	18,237	122	B3-U0-G3	N/A	N/A	N/A	N/A	N/A	N/A	N/A	N/A	N/A
RFM-170W60LED	3000	20,002	118	B3-U0-G3	N/A	N/A	N/A	20,110	118	B3-U0-G3	N/A	N/A	N/A	N/A	N/A	N/A	N/A	N/A	N/A

2700K LED Lumen values

Ordering Code	Color Temp.	Type R2M			Type R2S			Type R3M			Type R3S			Type 4			Type 5		
		Lumen Output	Efficacy (LPW)	BUG Rating	Lumen Output	Efficacy (LPW)	BUG Rating	Lumen Output	Efficacy (LPW)	BUG Rating	Lumen Output	Efficacy (LPW)	BUG Rating	Lumen Output	Efficacy (LPW)	BUG Rating	Lumen Output	Efficacy (LPW)	BUG Rating
RFM-130W32LED	2700	12,829	100	B3-U0-G2	13,449	104	B3-U0-G2	14,045	109	B3-U0-G2	13,052	109	B2-U0-G2	12,819	100	B2-U0-G3	13,334	104	B4-U0-G2
RFM-135W40LED	2700	12,800	95	B3-U0-G2	13,419	99	B3-U0-G2	12,851	95	B3-U0-G2	13,023	96	B2-U0-G2	12,790	95	B2-U0-G3	13,304	99	B4-U0-G2
RFM-55W48LED	2700	6,665	121	B2-U0-G1	6,988	127	B2-U0-G1	7,297	132	B2-U0-G1	6,781	132	B1-U0-G2	6,660	121	B1-U0-G2	6,928	126	B3-U0-G1
RFM-80W48LED	2700	9,557	119	B2-U0-G2	10,019	124	B2-U0-G2	10,560	131	B2-U0-G2	9,723	131	B2-U0-G2	9,550	119	B2-U0-G2	9,933	123	B4-U0-G2
RFM-108W48LED	2700	12,064	114	B3-U0-G2	12,648	119	B3-U0-G2	13,208	125	B3-U0-G2	12,274	125	B2-U0-G2	12,055	114	B2-U0-G2	12,539	118	B4-U0-G2
RFM-160W48LED	2700	16,700	104	B3-U0-G3	17,508	109	B3-U0-G2	18,283	114	B3-U0-G3	16,991	114	B2-U0-G3	16,687	104	B3-U0-G3	17,357	108	B4-U0-G2
RFM-50W60LED	2700	6,983	134	B2-U0-G2	N/A	N/A	N/A	7,021	134	B2-U0-G1	N/A	N/A	N/A	N/A	N/A	N/A	N/A	N/A	N/A
RFM-75W60LED	2700	9,538	124	B2-U0-G2	N/A	N/A	N/A	9,589	125	B2-U0-G2	N/A	N/A	N/A	N/A	N/A	N/A	N/A	N/A	N/A
RFM-100W60LED	2700	11,828	119	B2-U0-G2	N/A	N/A	N/A	11,892	120	B2-U0-G2	N/A	N/A	N/A	N/A	N/A	N/A	N/A	N/A	N/A
RFM-120W60LED	2700	13,982	115	B3-U0-G3	N/A	N/A	N/A	14,057	115	B3-U0-G2	N/A	N/A	N/A	N/A	N/A	N/A	N/A	N/A	N/A
RFM-150W60LED	2700	16,574	111	B3-U0-G3	N/A	N/A	N/A	16,663	112	B3-U0-G3	N/A	N/A	N/A	N/A	N/A	N/A	N/A	N/A	N/A
RFM-170W60LED	2700	18,276	108	B3-U0-G3	N/A	N/A	N/A	18,374	108	B3-U0-G3	N/A	N/A	N/A	N/A	N/A	N/A	N/A	N/A	N/A

Actual performance may vary due to installation variables including optics, mounting/ceiling height, dirt depreciation, light loss factor, etc.; highly recommended to confirm performance with a layout - contact Applications at signify.com/outdoorluminaires. Consult DLC QPL to confirm your specific fixture selection is DLC approved.

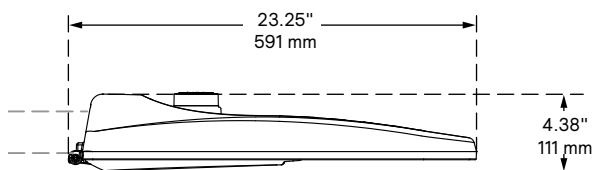
Note: Some data may be scaled based on tests of similar but not identical luminaires.

RFM RoadFocus

LED Cobra head (medium)

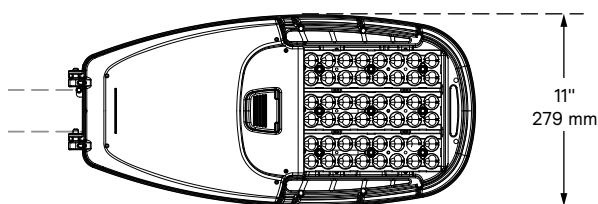
Dimensions

Side View



Weight: 12.2 Lbs
EPA: 0.53 sq. ft.

Bottom View



Field Adjustable Wattage (FAWS) Multiplier Chart

FAWS Position	Typical Delivered Lumens Multiplier	Typical System wattage
1	0.31	0.28
2	0.53	0.50
3	0.62	0.58
4	0.70	0.67
5	0.78	0.75
6	0.83	0.81
7	0.89	0.87
8	0.92	0.91
9	0.96	0.95
10	1.00	1.00

Note: Typical value accuracy +/- 5%

Specifications

Housing

Made of a low copper die cast Aluminum alloy (A360), 0.100" (2.5mm) minimum thickness. Fits on a 1.66" (42mm) O.D. (1.25" NPS), 1.9" (48mm) O.D. (1.5" NPS) or 2 3/8" (60mm) O.D. (2" NPS) by 5 1/2" (140mm) minimum long tenon. Comes with a zinc plated clamp fixed by 2 zinc plated hexagonal bolts 3/8 16 UNC for ease of installation. Provides an easy step adjustment of +/- 5° tilt in 2.5° increments. Includes integral bubble level standard (always included). A quick release, tool less entry, single latch, hinged, removable door opens downward to provide access to electronic components and to a terminal block. Door is secured to prevent accidental dropping or disengagement. A clearance of 13" (330mm) at the rear is required in order to remove the door. Complete with a bird guard protecting against birds and similar intruders and an ANSI label as per C136.15-2015 to identify wattage and source (both included in box). Housing (including electrical compartment) rated IP54 per ANSI C136.37.

Light Engine

Composed of 4 main components: LED Module / Optical System / Heat Sink / Driver.

Electrical components are RoHS compliant, IP66 sealed light engine LEDs tested by ISO 17025-2005 accredited lab in accordance with IESNA LM-80 guidelines in compliance with EPA ENERGY STAR, extrapolations in accordance with IESNA TM-21. Metal core board ensures greater heat transfer and longer lifespan.

LED Module: Composed of high-performance white LEDs. Color temperature as per ANSI/NEMA bin 2700 Kelvin nominal (2725 ±145K), 3000 Kelvin nominal (3045K +/- 175K) or 4000 Kelvin nominal (3985K +/- 275K), CRI 70 Min. 75 Typical. Other CCT/CRI also available, consult factory.

Optical System: Composed of high performance UV stabilized optical grade polymer refractor lenses to achieve desired distribution optimized to get maximum spacing, target lumens and a superior lighting uniformity. System is rated IP66. Performance shall be tested per LM-63, LM-79 and TM-15 (IESNA) certifying its photometric performance. 0% uplight and U0 per IESNA TM-15.

Heat Sink: Built in the housing, designed to ensure high efficacy and superior cooling by natural vertical convection air flow pattern always close to LEDs and driver optimizing their efficiency and life. Product does not use any cooling device with moving parts (only passive cooling). Wide openings enable natural cleaning and removal of dirt and debris. Entire luminaire is rated for operation in ambient temperature of -40°C / -40°F up to +50°C / +122°F unless otherwise specified, refer to LED Wattages Values Table.

Driver: High power factor of 90% min. Electronic driver, operating range 50/60 Hz. Auto adjusting universal voltage input from 120 to 277 or 347 to 480 VAC rated for both application line to line or line to neutral, Class I, THD of 20% max.

DMG: Dimming compatible 0-10 volts. The current supplying the LEDs will be reduced by the driver if the driver experiences internal overheating as a protection to the LEDs and the electrical components. Output is protected from short circuits, voltage overload and current overload. Automatic recovery after correction. Standard built in driver surge protection of 2.5kV (min).

Integrated Features

DMG: Dimmable driver 0-10V.

RC7*: Tool less orientable receptacle with 7 pins enabling dimming and additional functionality (to be determined), can be used with a twist lock Interact City node or photoelectric cell or a shorting cap.

SP1: Surge protection device tested in accordance with ANSI/IEEE C62.45 per ANSI/IEEE C62.41.2 Scenario I Category C High Exposure 10kV/10kA waveforms for Line-Ground, Line-Neutral and Neutral-Ground, and in accordance with DOE MSSLC Model Specification for LED Roadway Luminaires Appendix D Electrical Immunity High test level 10kV/10kA.

Please note that these integrated features always come with RoadFocus luminaire.

* Use of photoelectric cell or shorting cap is required to ensure proper illumination.

Driver and Luminaire Options

D4i: Zhaga-D4i certified fixture

DALI: Pre-set driver compatible with the DALI control system.

SRD: Sensor Ready Driver including SR communication (used for dimming and other functionalities), 24V auxiliary supply and a logical signal input (LSI) connected to the top NEMA twist lock receptacle and bottom TLRSR receptacle, if this option included/chosen. This configuration is compatible with Interact City controllers.

SRD1: Sensor Ready Driver including SR communication (used for dimming and other functionalities) but with 24V auxiliary supply and a logical signal input (LSI) not connected to the top NEMA twist lock. If TLRSR receptacle option included, standard SR communication, 24V auxiliary supply and LSI are connected to the TLRSR receptacle.

OMS: Outdoor Multisensor

FAWS: Field Adjustable Wattage Selector, pre-set to the highest position, can be easily switched in the field to the required position. This reduces total luminaire wattage consumption and reduces the light level - see the FAWS multiplier chart for more details.

Note: It is not recommended to use FAWS with other dimming or controls; if you do, set the switch to position 10 (maximum output) to enable

RFM RoadFocus

LED Cobra head (medium)

Specifications (continued)

the other dimming or controls. Switching FAWS to any position other than 10 will disable the other dimming or controls.

SP2: 20kV / 10kA surge protection device that provides extra protection beyond the SP1 10kV/10kA level.

NRC: No Receptacle. Fixture is shipped with a cap instead of a receptacle.

NYBC: 4-position terminal block

RCD*: Tool Less orientable receptacle with 5 pins enabling dimming, can be used with a twist lock Interact City or photoelectric cell or a shorting cap.

TLRSR: SR Sensor connector, installed in fixture door. Shipped with protective cover.

PH8: Twist-lock photoelectric cell, UNV (120-277VAC).

PH8/347: Twist-lock photoelectric cell, HVU (347VAC).

PH8/480: Twist-lock photoelectric cell, HVU (480VAC).

PHXL: Twist-lock photoelectric cell, extended life, UNV (120-277VAC).

PH9: Shorting cap.

API: Factory Installed NEMA label, ANSI C136.15-2015 compliant. Consult factory for other labeling needs.

* Use of photoelectric cell or shorting cap is required to ensure proper illumination.

Factory Installed Shield Options (One per Light Engine)

CSS: Cul-de-Sac Shield. Shields light output on the left and right side of fixture.

FSS: Front Side Shield. Shields light output on the front side of fixture.

HS: House Side Shield. Shields light output to the back side of fixture.

LSS: Left Side Shield. Shields light output on the left side of fixture.

RSS: Right Side Shield. Shields light output on the right side of fixture.

Luminaire Useful Life

Refer to IES files for energy consumption and delivered lumens for each option. Based on ISTMT in situ thermal testing in accordance with UL1598 and UL8750, System Reliability Tool, Advance data and LED manufacturer LM-80/TM-21 data, expected to reach 100,000 + hours with >L70 lumen maintenance @ 25°C. Luminaire Useful Life accounts for LED lumen maintenance

AND all of these additional factors including: LED life, driver life, PCB substrate, solder joints, on/off cycles, burning hours and corrosion.

Wiring

The connection of the luminaire is done using a terminal block connector 600V, 85A for use with #2 14 AWG. wires from the primary circuit, located inside the housing. Due to the inrush current that occurs with electronic drivers, recommend using a 10Amp time-delay fuse to avoid unwanted fuse blowing (false tripping) that can occur with normal or fast acting fuses.

Hardware

All exposed screws shall be complete with Ceramic primer seal to reduce seizing of the parts, also offers a high resistance to corrosion. All seals and sealing devices are made and/or lined with EPDM and/or silicone and/or rubber.

Finish

Color in accordance with the AAMA 2603 standard. Application of polyester powder coat paint (4 mils/100 microns) with ± 1 mils/24 microns of tolerance. The Thermosetting resins provides a discoloration resistant finish in accordance with the ASTM D2244 standard, as well as luster retention in keeping with the ASTM D523 standard and humidity proof in accordance with the ASTM D2247 standard.

The surface treatment achieves a minimum of 5000 hours for salt spray resistant finish in accordance with testing performed and per ASTM B117 standard.

LED products manufacturing standard

The electronic components sensitive to electrostatic discharge (ESD) such as light emitting diodes (LEDs) are assembled in compliance with IEC61340-5-1 and ANSI/ESD S20.20 standards so as to eliminate ESD events that could decrease the useful life of the product.

Vibration Resistance

The RFM meets the ANSI C136.31-2018, American National Standard for Roadway Luminaire Vibration specifications for Bridge/overpass applications. (Tested for 3G over 100,000 cycles by independent lab)

Certifications and Compliance

cULus Listed for Canada and USA. Luminaire meets DOE and MSSLC Model Specification for LED Roadway Luminaires. Most versions of RoadFocus LED Cobrahead luminaires are DesignLights Consortium qualified, consult DLC QPL to confirm your specific fixture selection is approved. CCTs 3000K and warmer are Dark Sky Approved. Luminaire complies with or exceeds the following ANSI C136 standards: .2, .3, .10, .14, .15, .22, .25, .31, .37, .41.

Service Tag

Each individual luminaire is uniquely identifiable, thanks to the Service tag application. With a simple scan of a QR code, placed on the inside of the mast door, you gain instant access to the luminaire configuration, making installation and maintenance operations faster and easier, no matter what stage of the luminaire's lifetime. Just download the APP and register your product right away.

For more details visit: philips.com/servicetag

Limited Warranty

10-year limited warranty. See signify.com/warranties for details and restrictions.

Brackets/Arms

For brackets / arms available with this luminaire, see Lumec 3D for details.

