



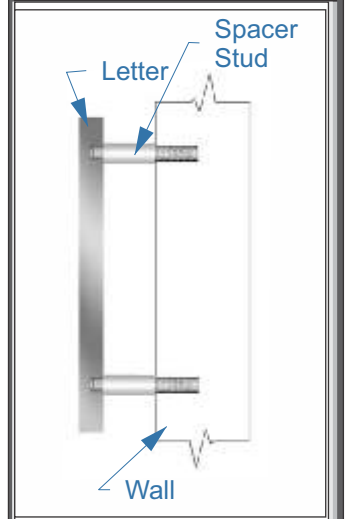
24.7 Sq. Ft.

Brushed aluminum channel letters sign.
 Brushed aluminum letters sign, individually mounted, projected letters. Non illuminated.
 Sizes and colors as depicted on the drawing.



Pierce Rd, Powhatan, Va. 23139
 CELL (804) 598.1127
 FAX (804) 598.6684
 Email - GarrisSigns@gmail.com

A FULL SERVICE SIGN SHOP



Approved by: _____
 Date of Approval: _____

DESIGNER: MAVLUD
 DATE: 08/10/18

This is the original and unpublished property of Garris Signs and may not be copied, duplicated or exhibited in any way without written approval of Garris Signs.



INSTALL IN ACCORDANCE WITH THE NEC AND LOCAL ELECTRICAL CODES.

F 20"x13.2"=1.8 sq ft

A 20"x18.5"=2.5 sq ft

T 20"x15.5"=2.1 sq ft

T 20"x15.5"=2.1 sq ft

Y 20"x19.4"=2.6 sq ft

S 20"x14.5"=2.0 sq ft

M 20"x19.3"=2.6 sq ft

O 20.2"x20.2"=2.8 sq ft

K 20"x16.9"=2.3 sq ft

E 20"x13.7"=1.9 sq ft

S 20.2"x14.5"=2.0 sq ft

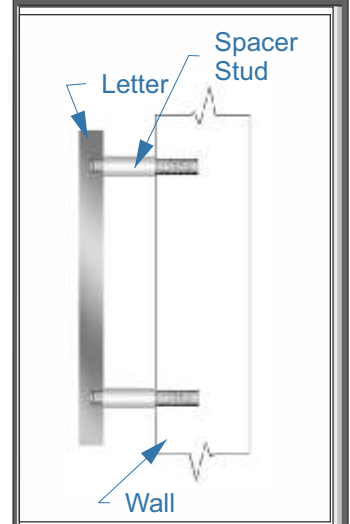
Total: 24.7 Sq Ft

Brushed aluminum channel letters sign.
Brushed aluminum letters sign, individually mounted, projected letters. Non illuminated.
Sizes and colors as depicted on the drawing.



Pierce Rd, Powhatan, Va. 23139
CELL (804) 598.1127
FAX (804) 598.6684
Email - GarrisSigns@gmail.com

A FULL SERVICE SIGN SHOP



Approved by: _____
Date of Approval: _____

DESIGNER: MAVLUD
DATE: 08/10/18

This is the original and unpublished property of Garris Signs and may not be copied, duplicated or exhibited in any way without written approval of Garris Signs.



INSTALL IN ACCORDANCE WITH THE NEC AND LOCAL ELECTRICAL CODES.



Channel letters red neon sign.
 Clear plexiglass faces, red neon lighting, black trim caps, black returns.
 Sizes and colors as depicted on the drawing.

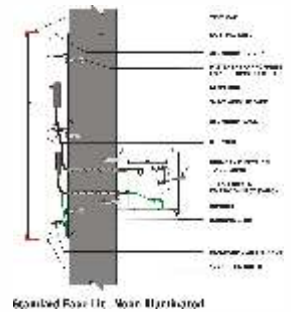


Pierce Rd, Powhatan, Va. 23139
 CELL (804) 598.1127
 FAX (804) 598.6684
 Email - GarrisSigns@gmail.com

A FULL SERVICE SIGN SHOP



Mounting diagrams



Approved by:

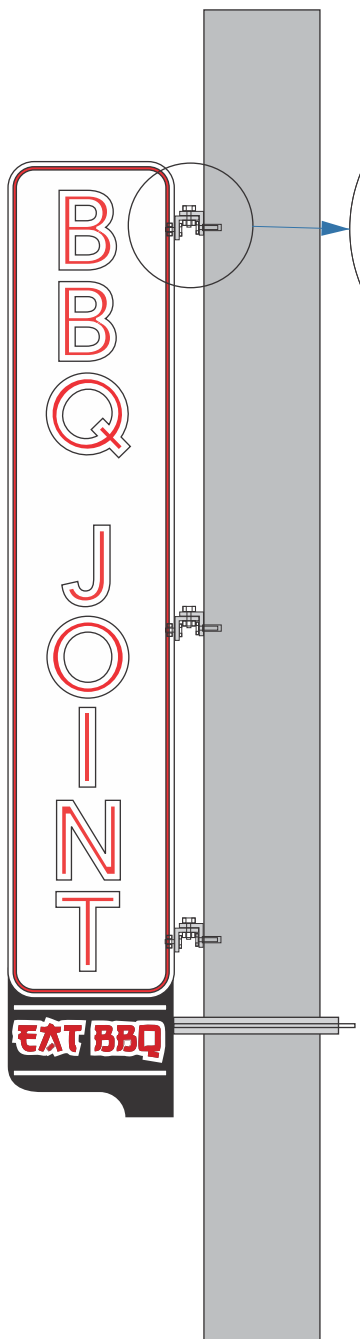
Date of Approval:

DESIGNER: MAVLUD
 DATE: 08/10/18

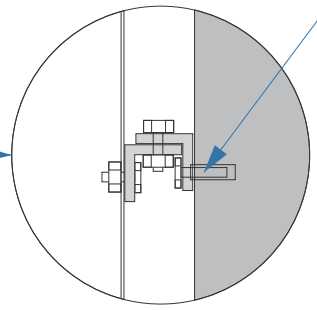
This is the original and unpublished property of Garris Signs and may not be copied, duplicated or exhibited in any way without written approval of Garris Signs.



INSTALL IN ACCORDANCE WITH THE
 NEC AND LOCAL ELECTRICAL CODES.



3/4"x6" lag bolts and sheilds



Mounting diagram

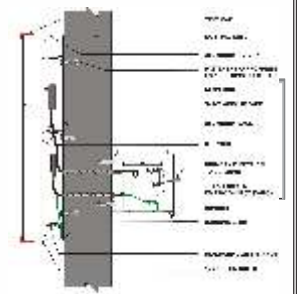


Pierce Rd, Powhatan, Va. 23139
 CELL (804) 598.1127
 FAX (804) 598.6684
 Email - GarrisSigns@gmail.com

A FULL SERVICE SIGN SHOP



Mounting diagrams



Approved by: _____

Date of Approval: _____

DESIGNER: MAVLUD
 DATE: 08/10/18

This is the original and unpublished property of Garris Signs and may not be copied, duplicated or exhibited in any way without written approval of Garris Signs.



INSTALL IN ACCORDANCE WITH THE NEC AND LOCAL ELECTRICAL CODES.