



Commission of Architectural Review SUBMISSION APPLICATION

City of Richmond, Room 510 – City Hall
900 East Broad Street, Richmond, Virginia 23219
PHONE: (804) 646-6335 FAX: (804) 646-5789

12 COPIES OF SUPPORTING DOCUMENTATION ARE REQUIRED FOR PROCESSING YOUR SUBMISSION

LOCATION OF WORK: 701 North 25th Street DATE: December 16, 2016

OWNER'S NAME: City of Richmond - Dept. of Public Works TEL NO.: 804-646-7000

AND ADDRESS: 900 East Broad Street; Suite 704 EMAIL: askpublicworks@richmondgov.com

CITY, STATE AND ZIP CODE: Richmond, VA 23219

ARCHITECT/CONTRACTOR'S NAME: Michael Stein/Commonwealth Architects101 TEL. NO.: 804-648-5040

AND ADDRESS: 101 Shockoe Slip EMAIL: mstein@comarchs.com

CITY, STATE AND ZIP CODE: Richmond, VA 23219

Would you like to receive your staff report via email? Yes No

REQUEST FOR CONCEPTUAL REVIEW

I hereby request Conceptual Review under the provisions of Chapter 114, Article IX, Division 4, Section 114-930.6(d) of the Richmond City Code for the proposal outlined below in accordance with materials accompanying this application. I understand that conceptual review is advisory only.

APPLICATION FOR CERTIFICATE OF APPROPRIATENESS

I hereby make application for the issuance of a certificate under the provisions of Chapter 114, Article IX, Division 4 (Old and Historic Districts) of the Richmond City Code for the proposal outlined below in accordance with plans and specifications accompanying this application.

DETAILED DESCRIPTION OF PROPOSED WORK (Required):

STATE HOW THE DESIGN REVIEW GUIDELINES INFORM THE DESIGN OF THE WORK PROPOSED. (Include additional sheets of description if necessary, and **12 copies** of artwork helpful in describing the project. The 12 copies are not required if the project is being reviewed for an administrative approval. See *instruction sheet for requirements*.)

The subject building serves as the "East End Social Services Center" for the City of Richmond. It is a masonry building (8" x 8" red brick veneer), constructed in 1977 located at the edge of the Church Hill North historic district. The Department of Public Works wants to replace the existing, steel framed, single glazed windows with energy efficient double glazed windows since they have reached the end of their serviceable life, and their operable, awning sashes are not ADA compliant. The new windows will have aluminum frames, but will be the same color as the existing with a profile that comes as close as possible to match the existing. The 24" high fixed ribbon windows will be replaced with new fixed sashes of identical size, while the operable 48" x 48" awning windows at the second floor will be replaced with a

Signature of Owner or Authorized Agent: 

Name of Owner or Authorized Agent (please print legibly): Michael Stein

(Space below for staff use only)

ECE VED

Received by Commission Secretary

DEC 15 2016

APPLICATION NO. _____

DATE

6 2:40

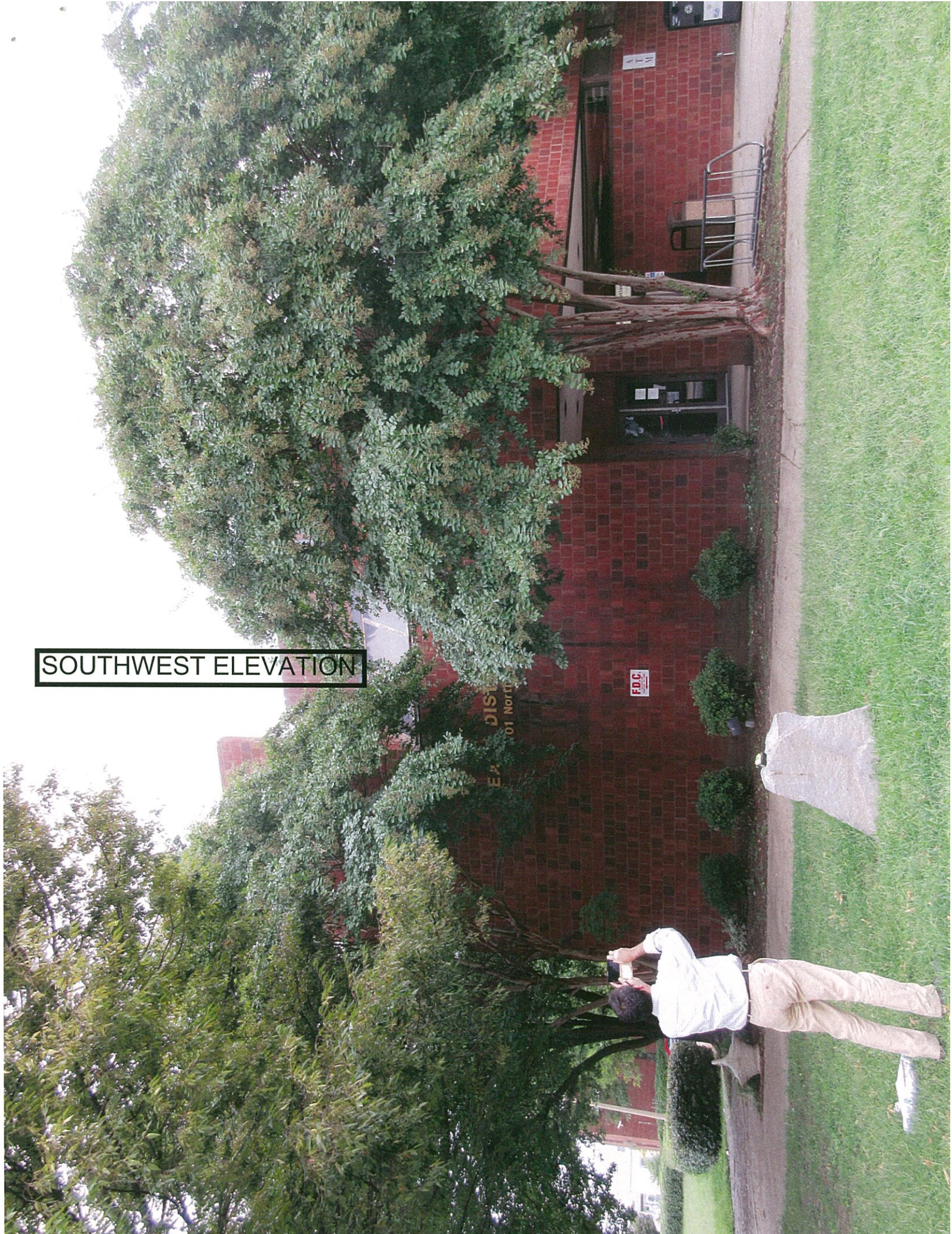
SCHEDULED FOR _____

Note: CAR reviews all applications on a case-by-case basis.

**EDI BUILDING - WINDOW REPLACEMENT
701 NORTH 25TH STREET
RICHMOND, VIRGINIA**

ADDITIONAL PHOTOS AND CUTSHEETS

SOUTHWEST ELEVATION



SOUTH ELEVATION - WEST END



SOUTH ELEVATION - EAST END



NORTHEAST ELEVATION



NORTH ELEVATION



NORTHWEST ELEVATION





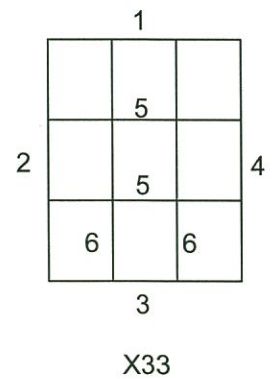
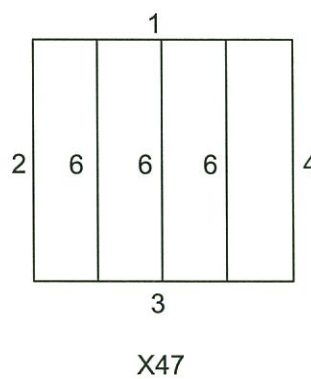
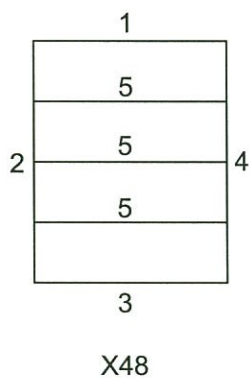
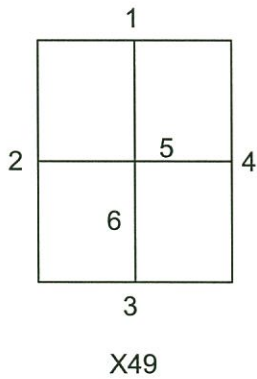
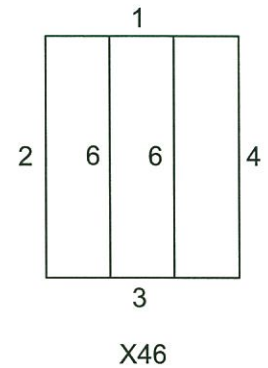
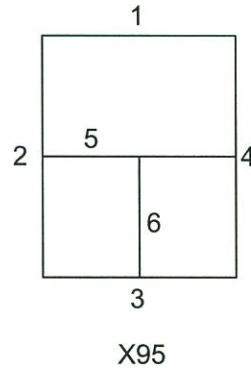
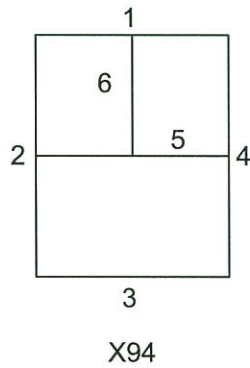
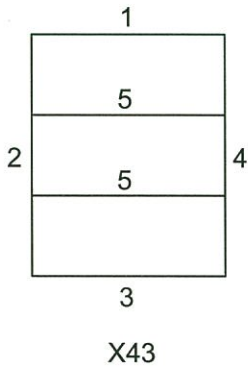
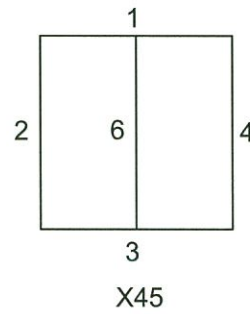
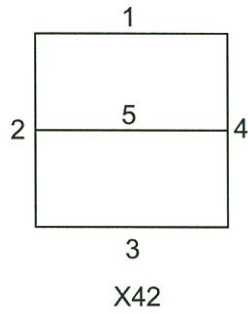
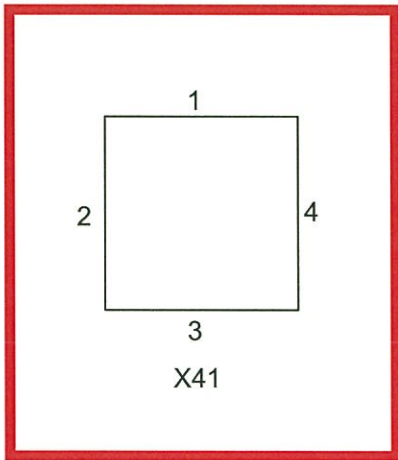
AWNING WINDOW



FIXED RIBBON WINDOW



FIXED RIBBON WINDOW CUTSHEET

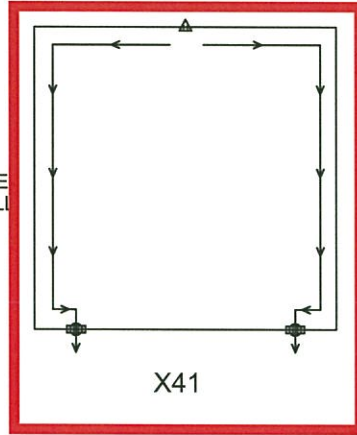


△ = 1/8" DIA EQUAL PRESSURE HOLE
 (CENTER LINE OF TOP HORIZONTAL)

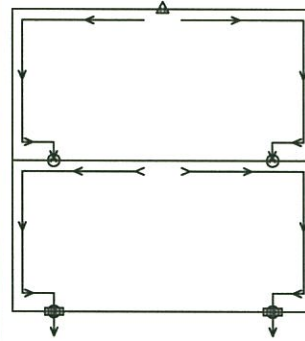
○ = 1/4" DIA WEEP HOLE
 (APPROX 3" FROM EDGE)

□ = FACE MOUNTED WEEP
 (APPROX 3" FROM EDGE)

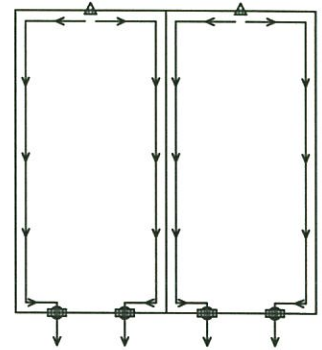
⊗ = WEEP OPTIONS; HOLE TO
 WEEP INTO SUBSILL, OR FACE
 MOUNTED WEEP IF NO SUBSILL
 (APPROX 3" FROM EDGE)



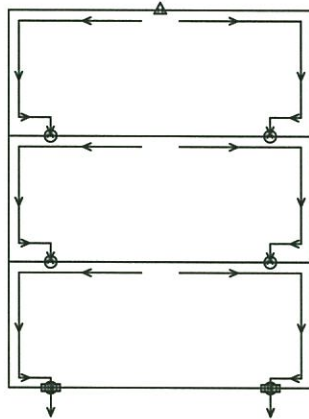
X41



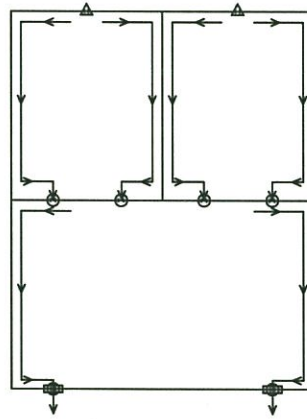
X42



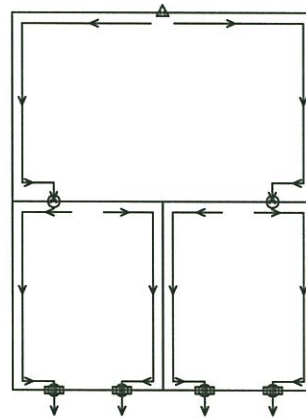
X45



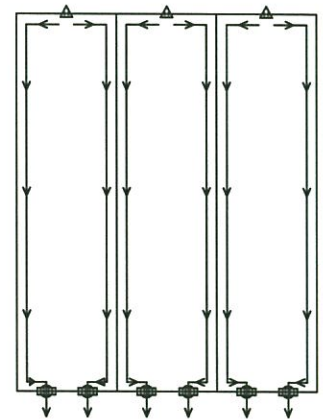
X43



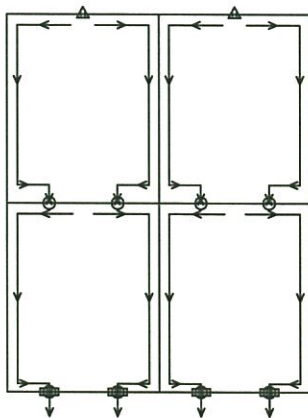
X94



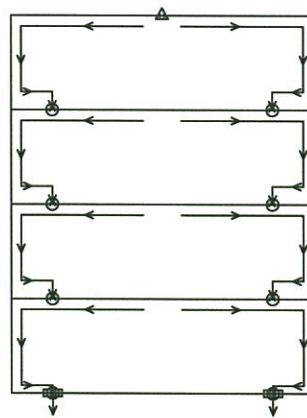
X95



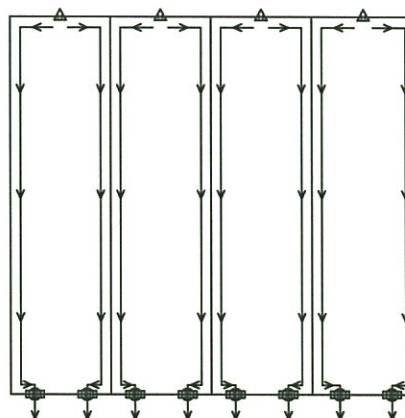
X46



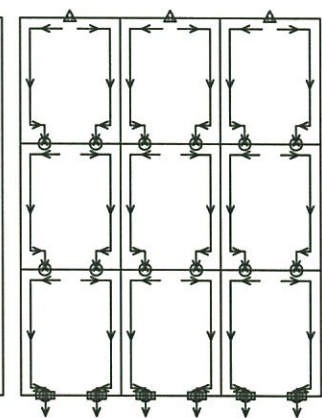
X49



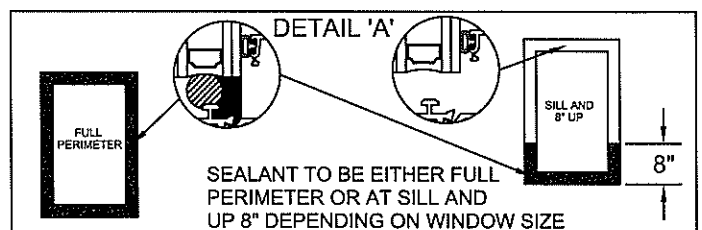
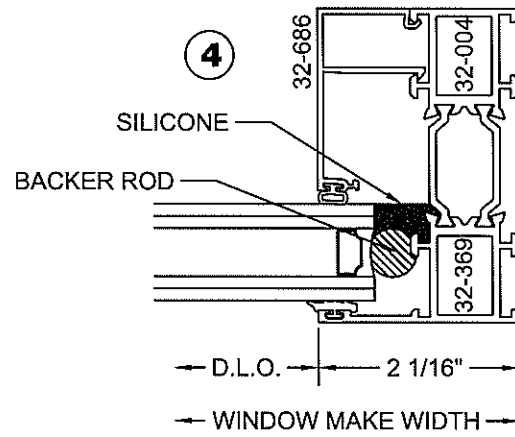
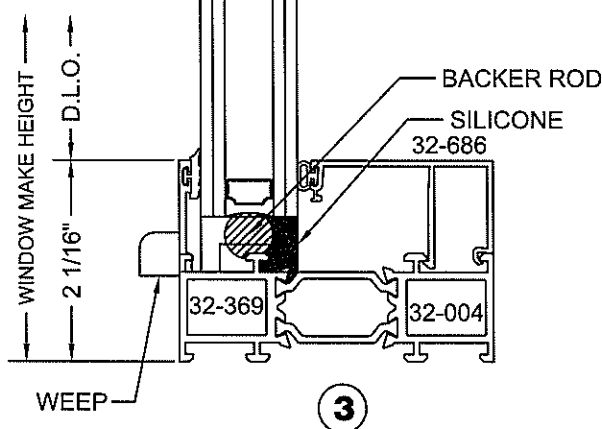
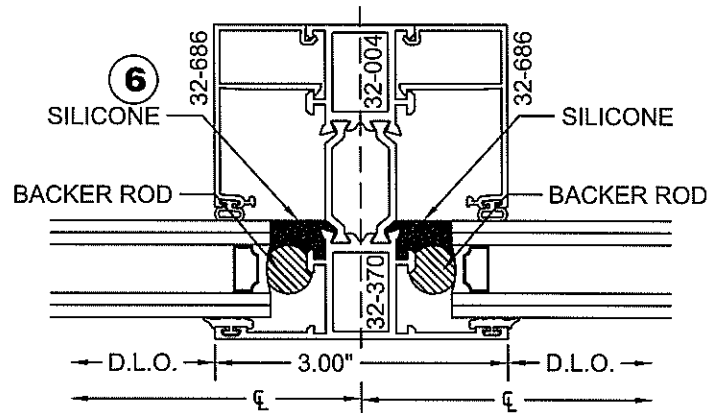
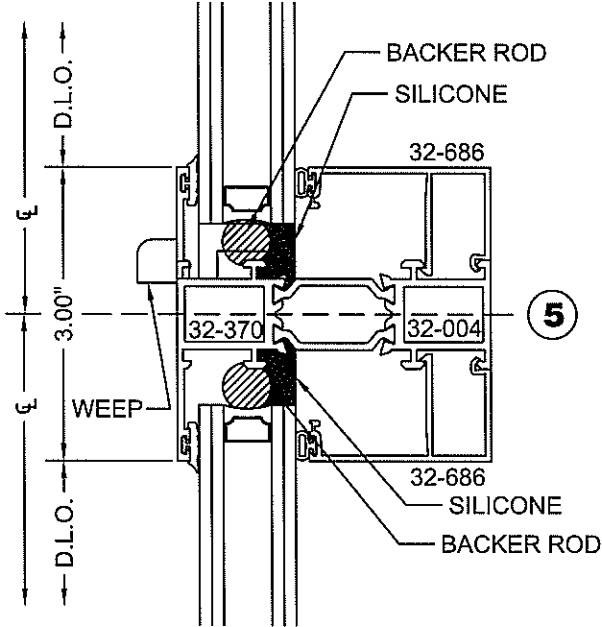
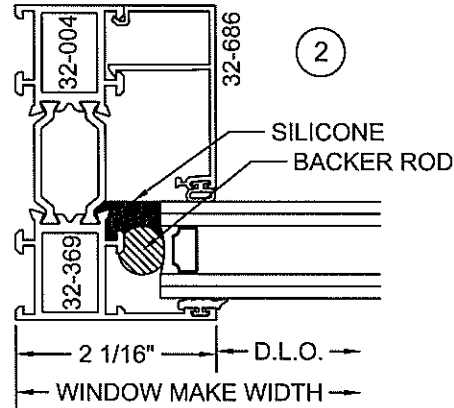
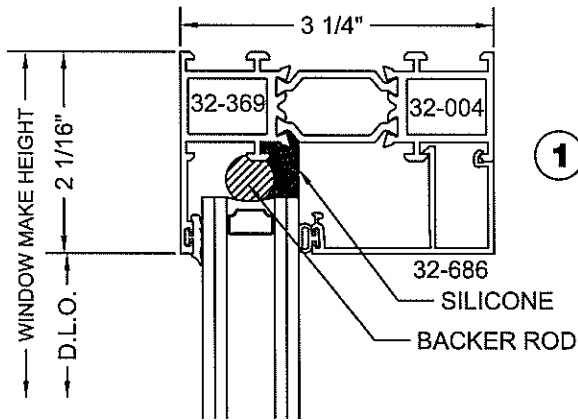
X48



X47



X33



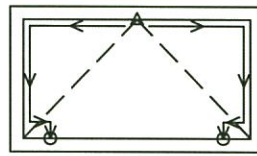
FIXED WINDOW OVER AWNING WINDOW

△ = 1/8" DIA EQUAL PRESSURE HOLE
(CENTER LINE OF TOP HORIZONTAL)

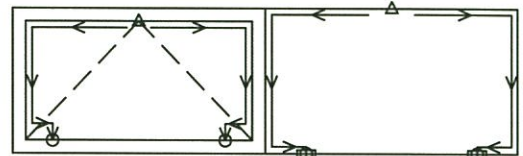
○ = 1/4" DIA WEEP HOLE
(APPROX 3" FROM EDGE)

□ = FACE MOUNTED WEEP
(APPROX 3" FROM EDGE)

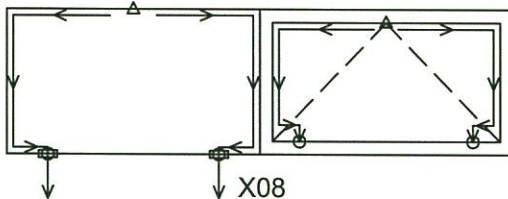
⊖ = WEEP OPTIONS: HOLE TO
WEEP INTO SUBSILL, OR FACE
MOUNTED WEEP IF NO SUBSILL
(APPROX 3" FROM EDGE)



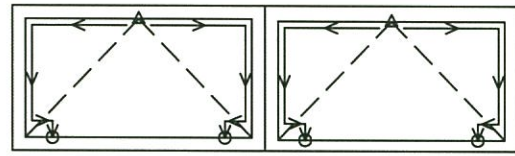
X01



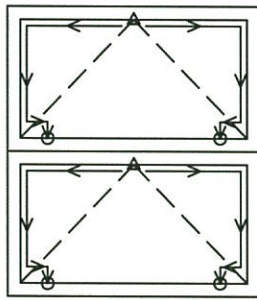
X09



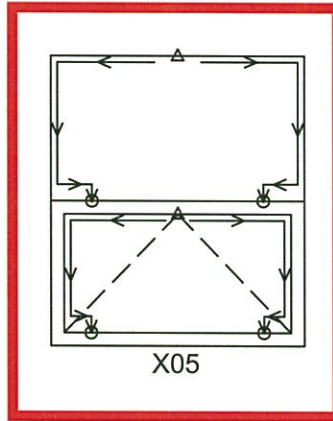
X08



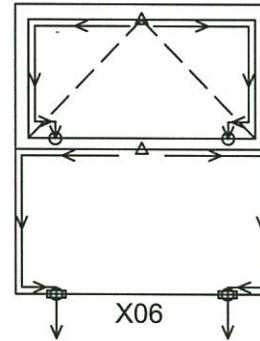
X04



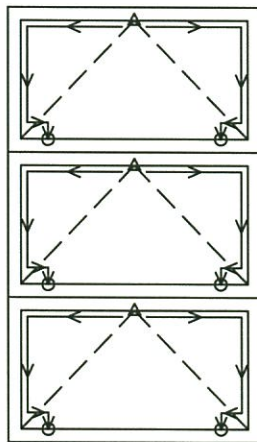
X02



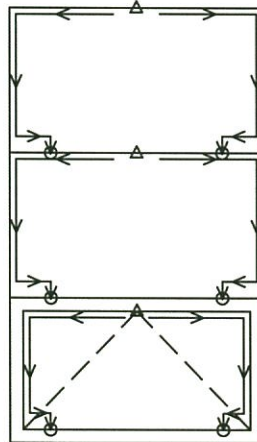
X05



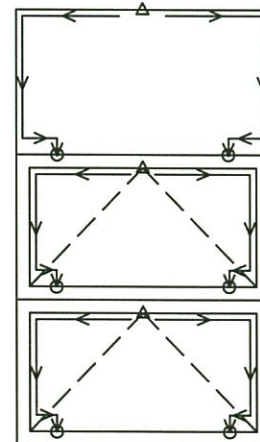
X06



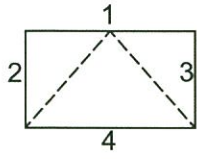
X03



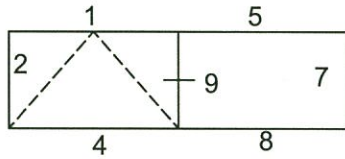
X07



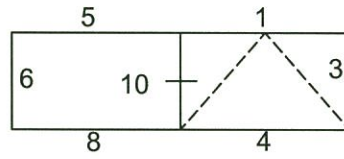
X76



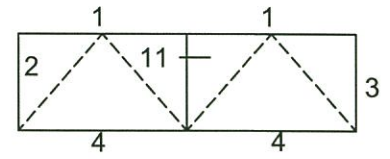
X01



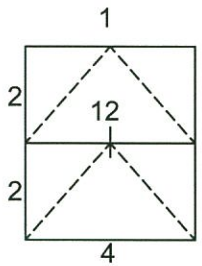
X09



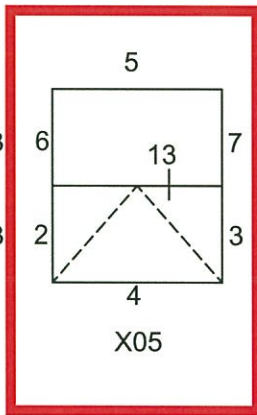
X08



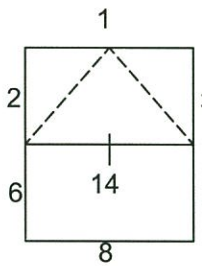
X04



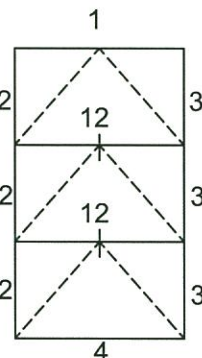
X02



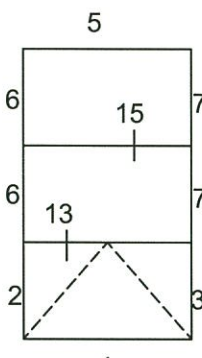
X05



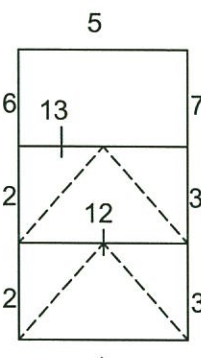
X06



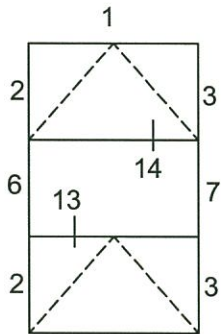
X03



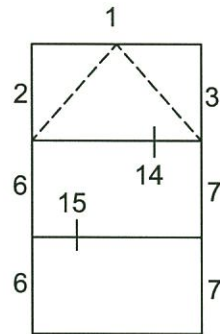
X07



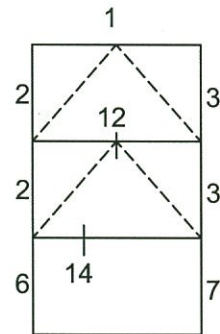
X76



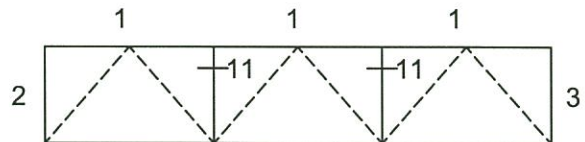
X78



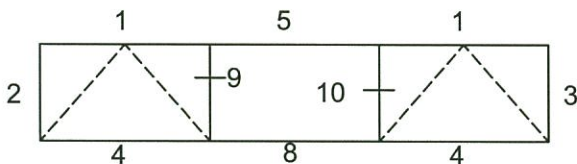
X84



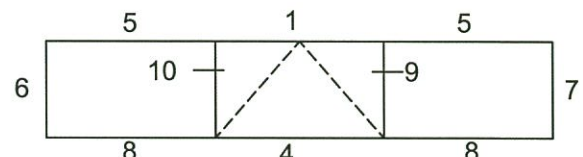
X77



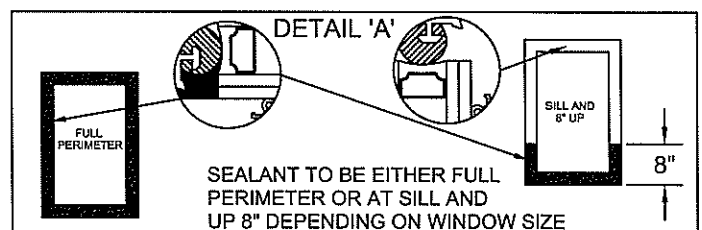
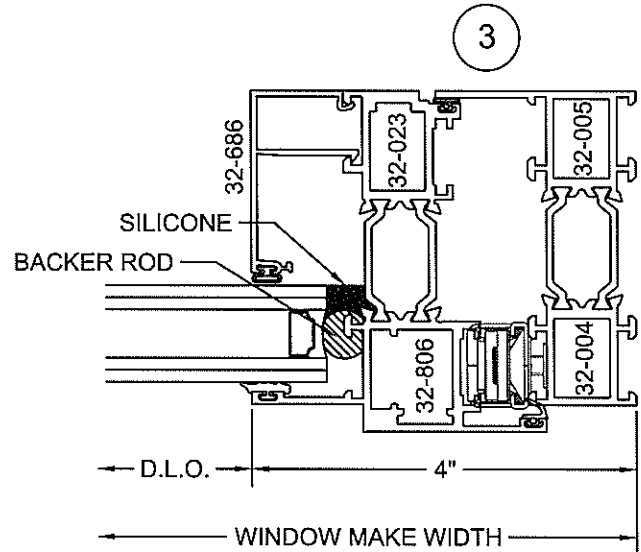
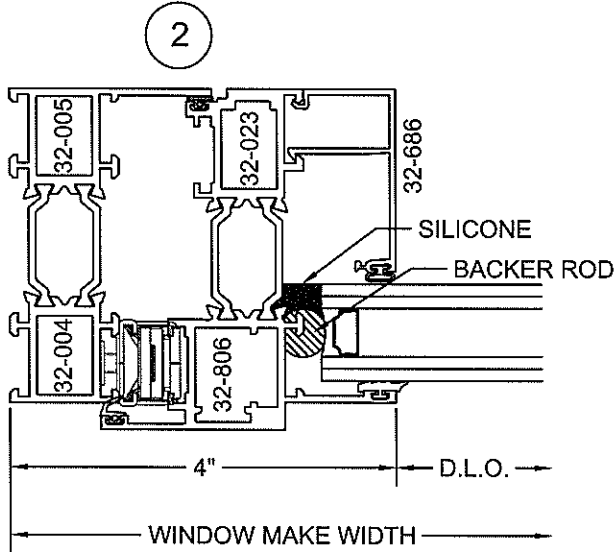
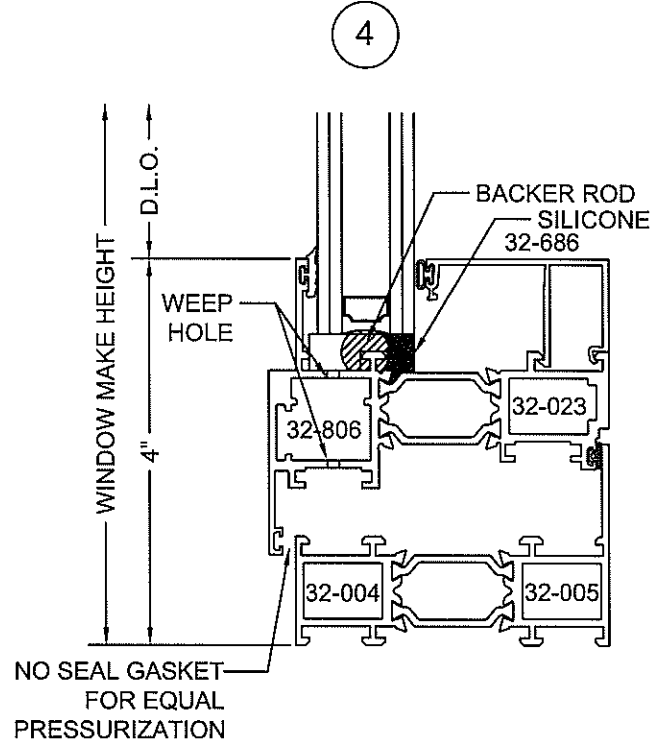
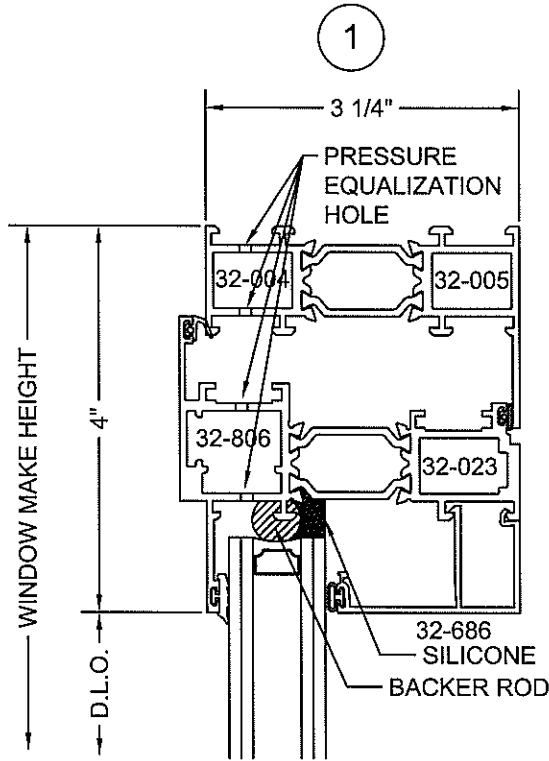
X83

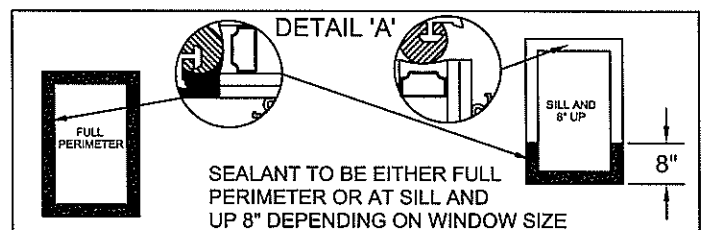
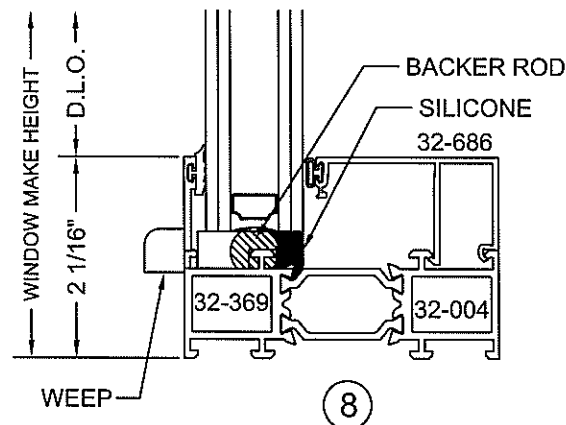
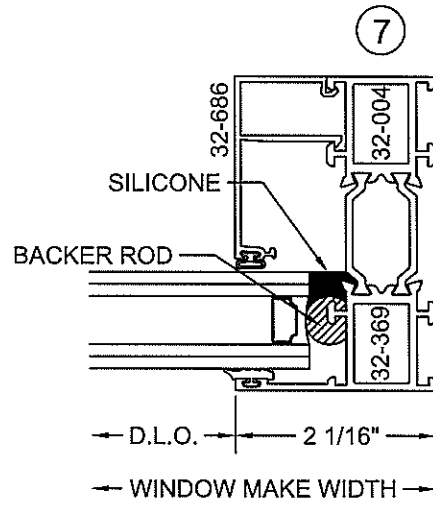
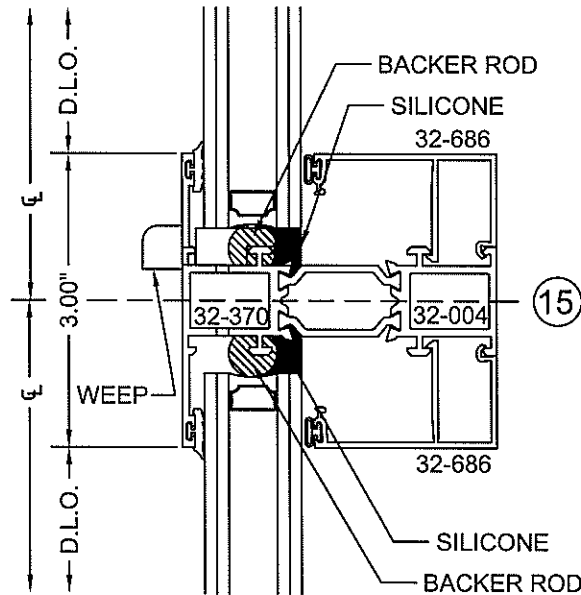
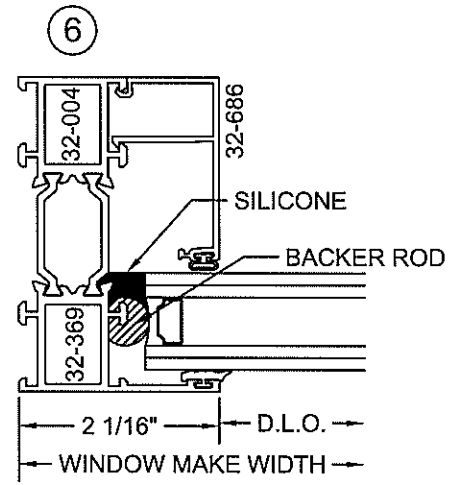
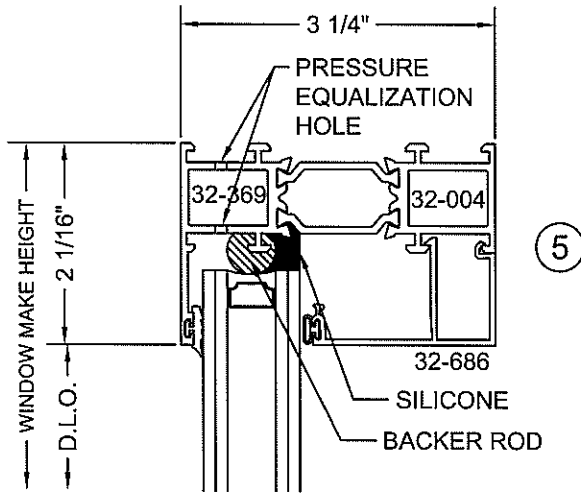


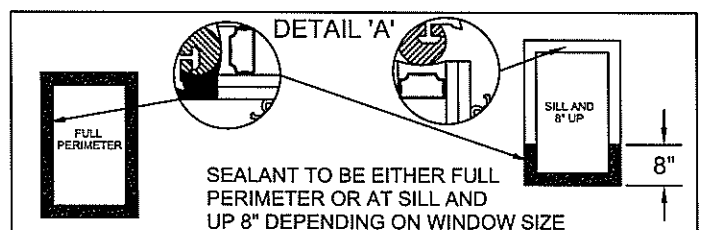
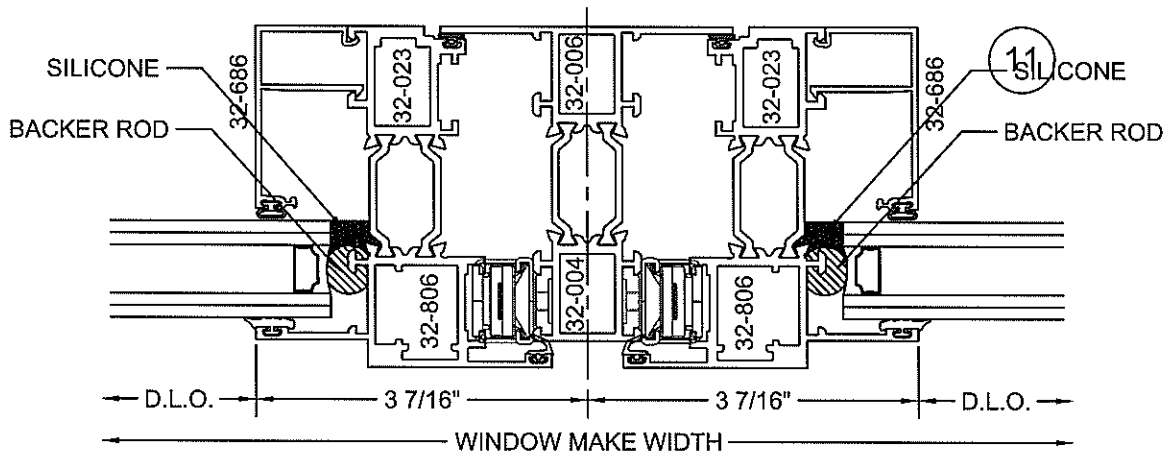
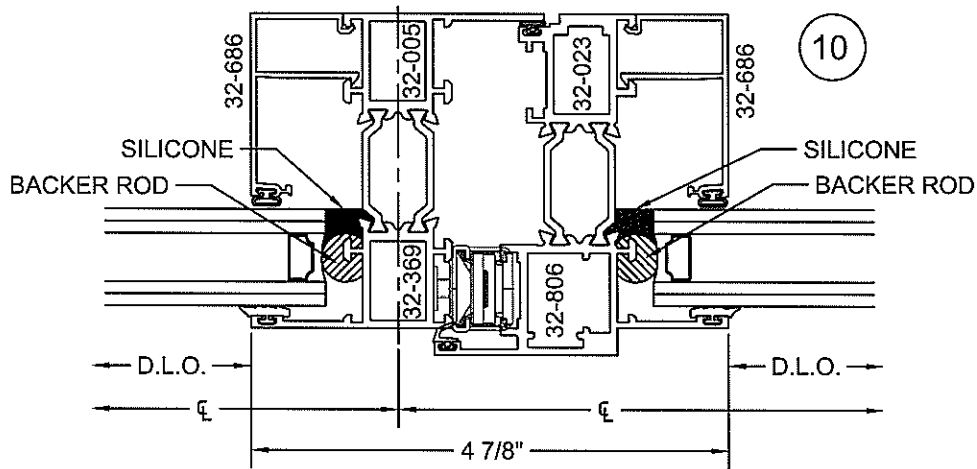
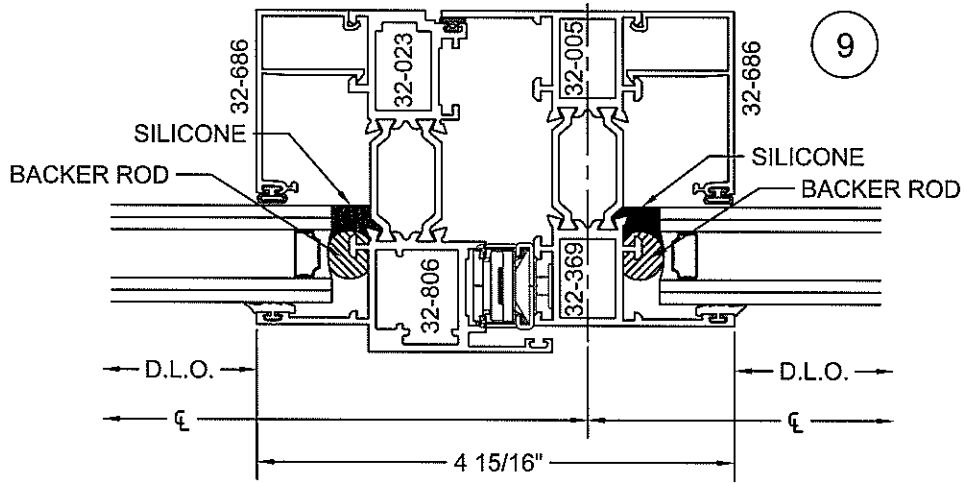
X73

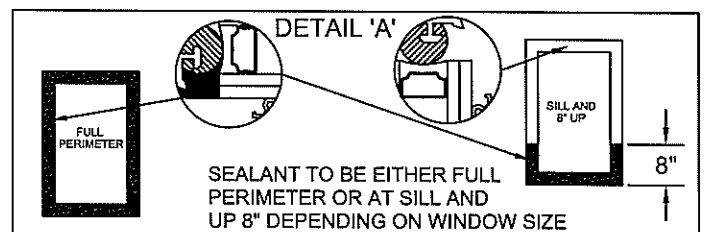
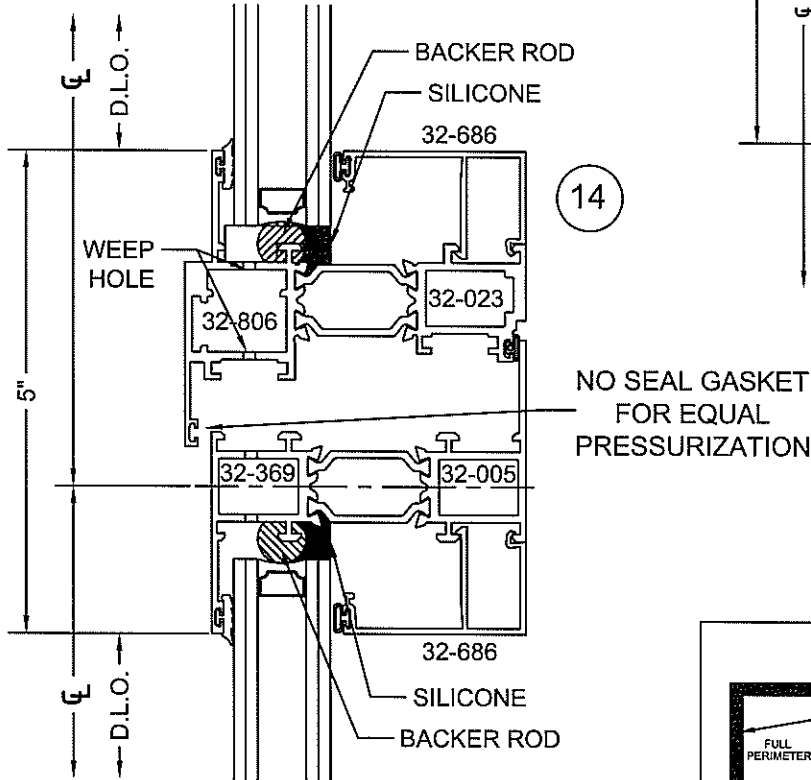
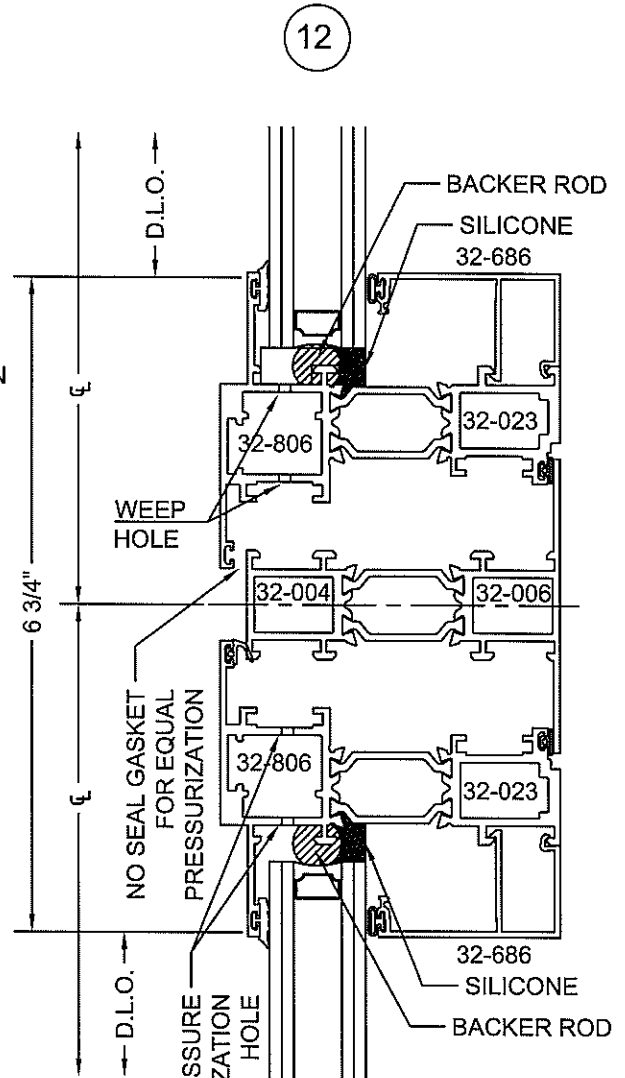
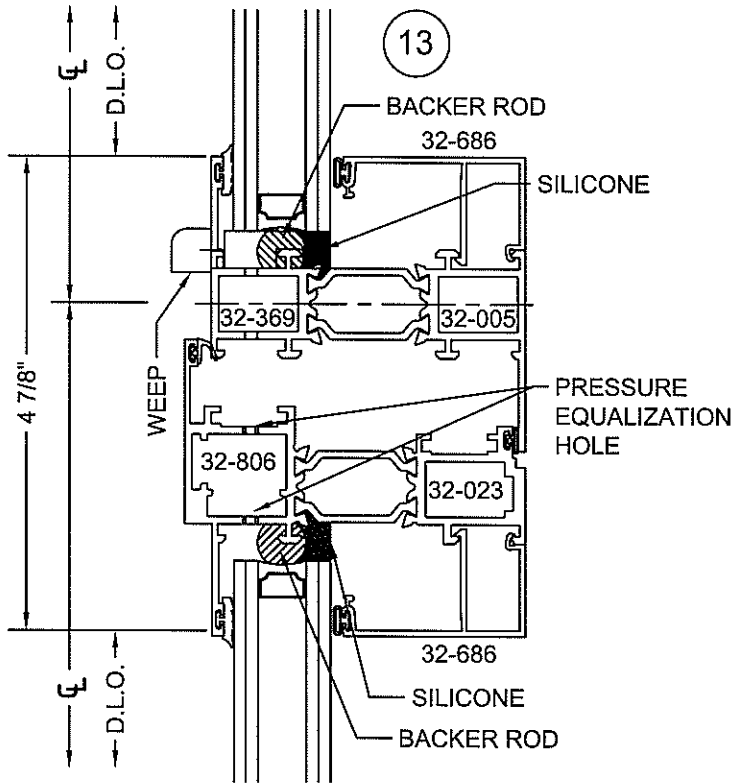


X34









SKYLIGHT

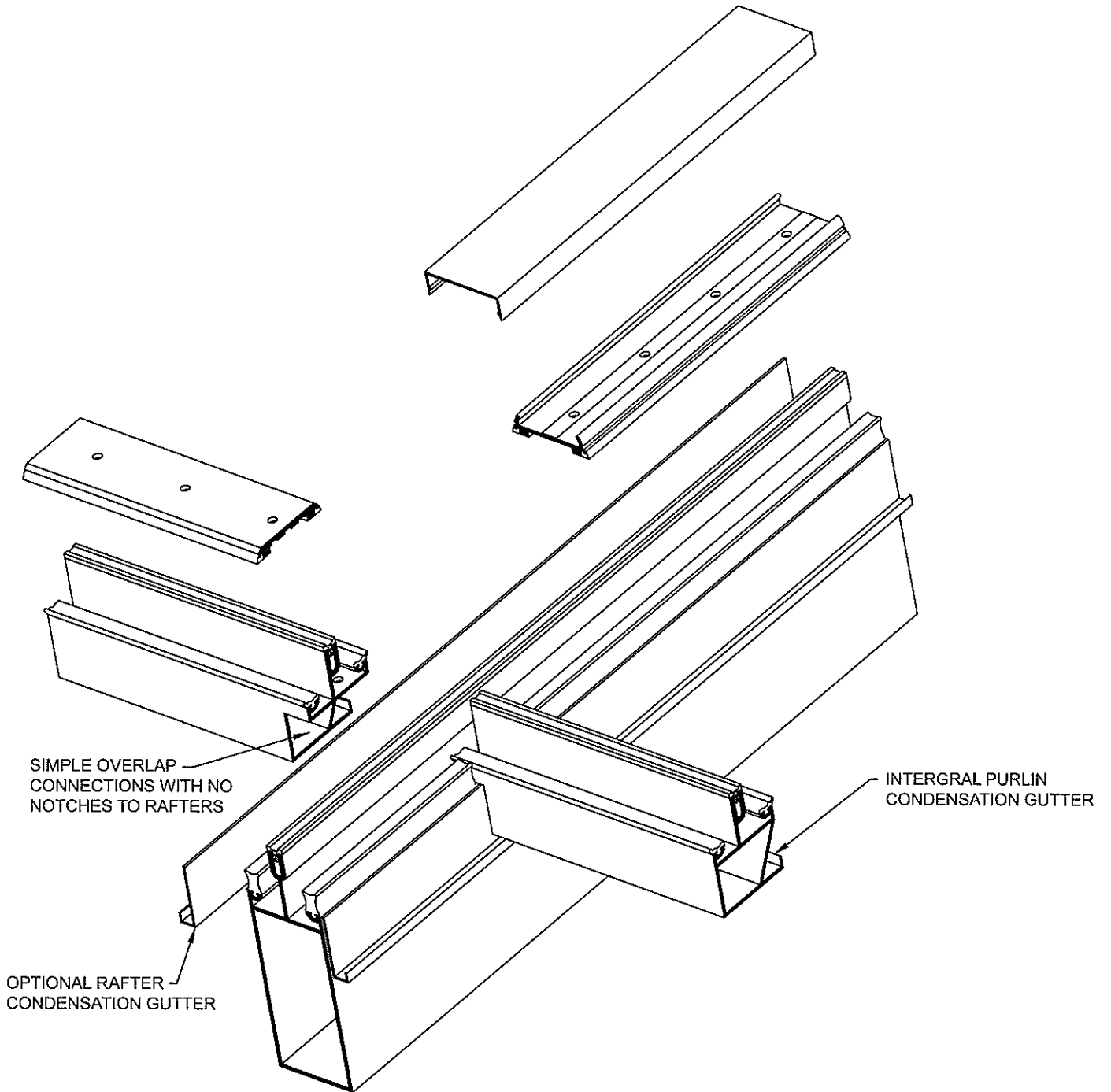
Features

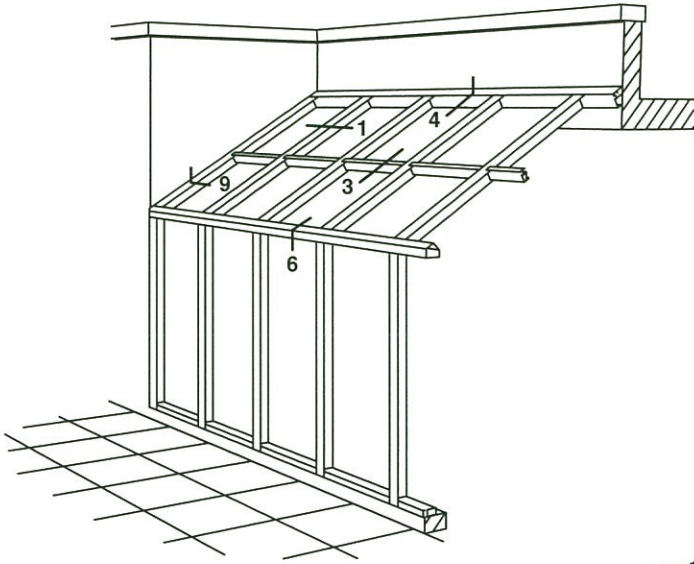
- Suitable for sloped glazed area, or roof mounted skylights
- Integrates with standard 1600 vertical wall
- Pressure equalized rain screen design
- Simple overlap connections
- "Shingled" internal channels for positive drainage
- Integral purlin condensation gutters
- Optional rafter condensation gutters
- Tremco VISIONstrip® exterior glazing system
- Interior elastomeric glazing gaskets
- Structural silicone glazed (SSG) option for purlins
- Three rafter depths for efficient structural design
- Optional roll formed steel reinforcing channels
- Veneer type mullion for use with steel sub-structure
- Single glazing adapter for exterior canopies
- Accommodates slopes from 20° to 45°
- Full and half compression rings for pyramids and sloped gables
- Slope, gable, pyramid, and canopy construction available
- Two color option
- Permanodic™ anodized finishes in seven choices
- Painted finishes in standard and custom choices

For specific product applications,
Consult your Kawneer representative.

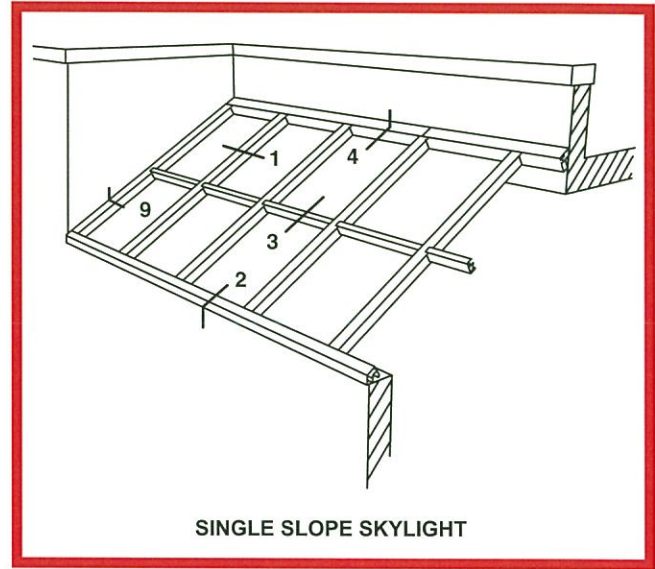
Laws and building and safety codes governing the design and use of glazed entrance, window, and curtain wall products vary widely. Kawneer does not control the selection of product configurations, operating hardware, or glazing materials, and assumes no responsibility therefor.

Kawneer reserves the right to change configuration without prior notice when deemed necessary for product improvement.
© Kawneer Company, Inc., 2013

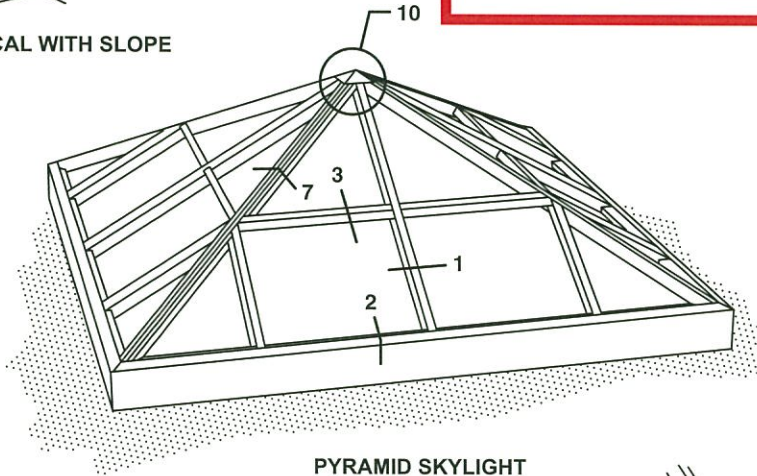




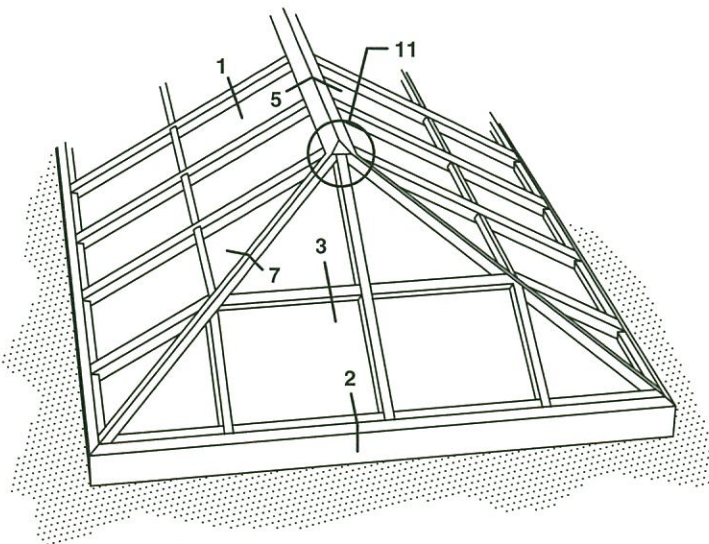
VERTICAL WITH SLOPE



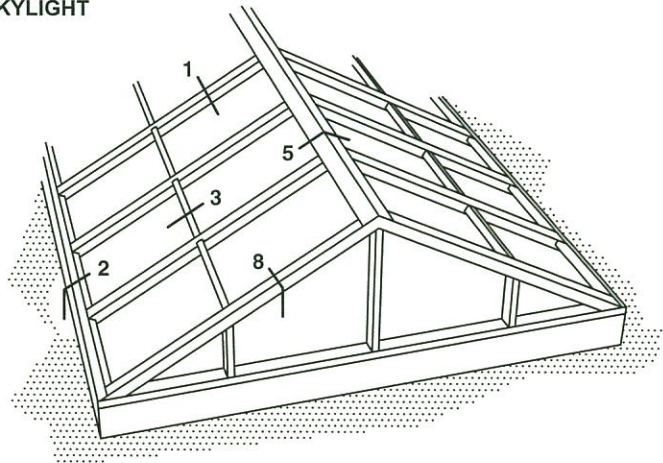
SINGLE SLOPE SKYLIGHT



PYRAMID SKYLIGHT



RIDGE SKYLIGHT WITH SLOPED GABLE

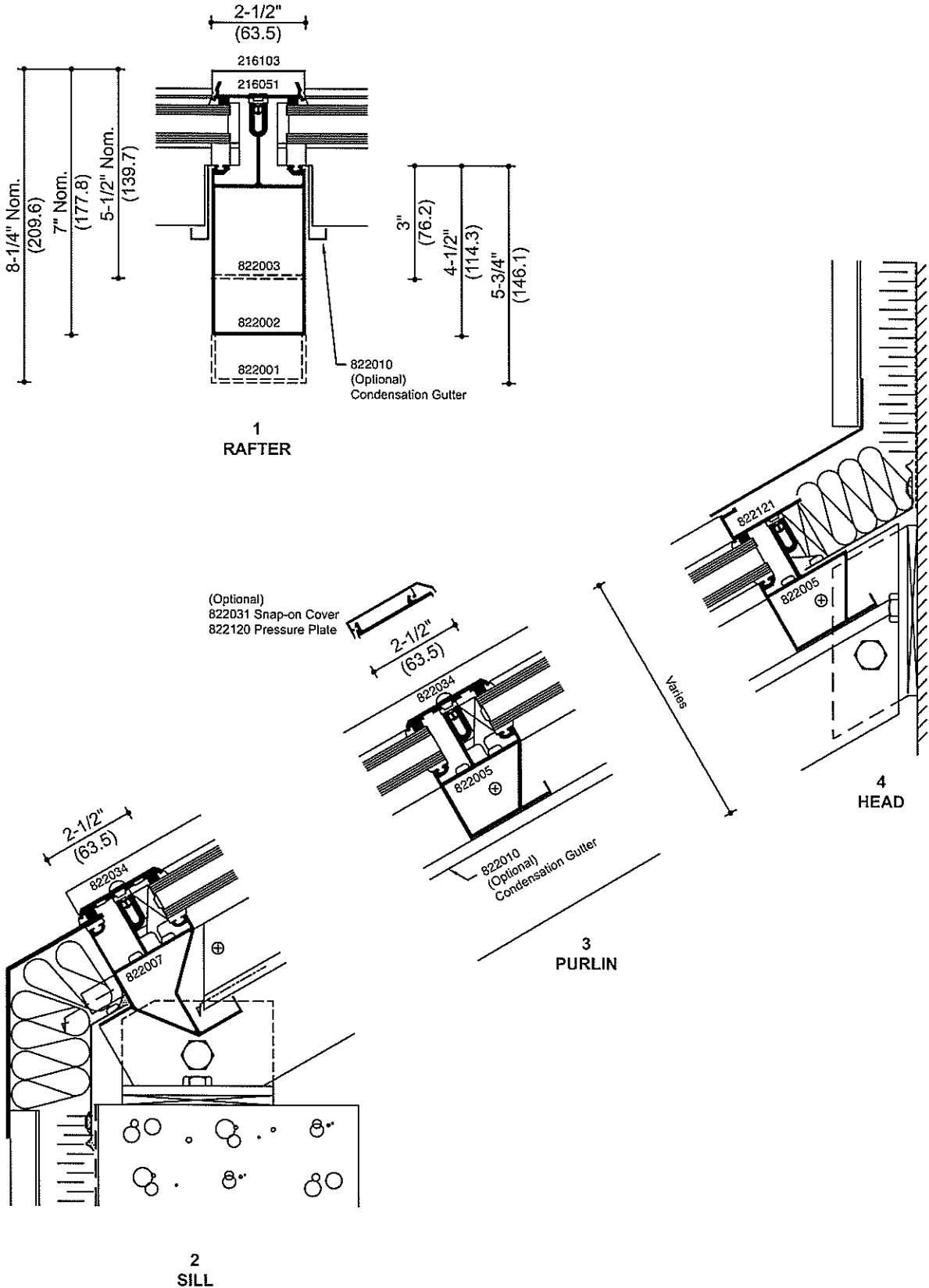


RIDGE SKYLIGHT WITH VERTICAL GABLE

Laws and building and safety codes governing the design and use of glazed entrance, window, and curtain wall products vary widely. Kawneer does not control the selection of product configurations, operating hardware, or glazing materials, and assumes no responsibility therefor.

Kawneer reserves the right to change configuration without prior notice when deemed necessary for product improvement.
© Kawneer Company, Inc., 2013

SCALE 3" = 1'-0"

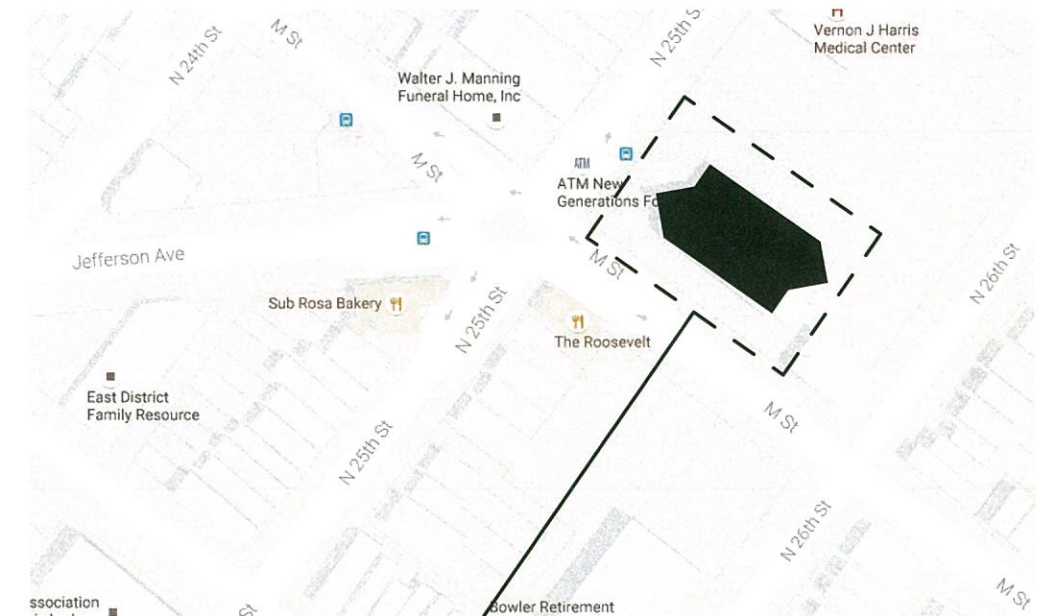
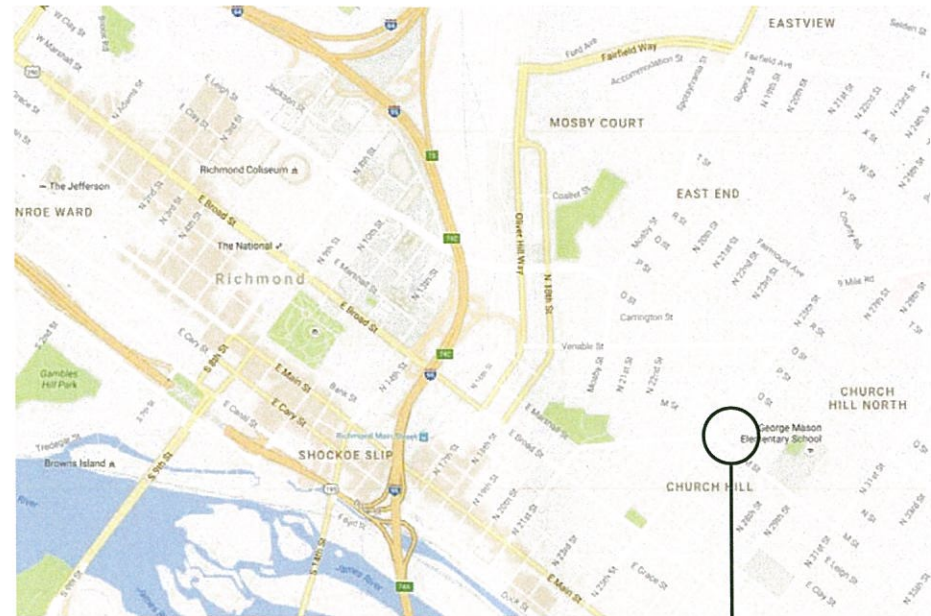


Laws and building and safety codes governing the design and use of glazed entrance, window, and curtain wall products vary widely. Kawneer does not control the selection of product configurations, operating hardware, or glazing materials, and assumes no responsibility therefor.

Kawneer reserves the right to change configuration without prior notice when deemed necessary for product improvement.
 © Kawneer Company, Inc., 2013



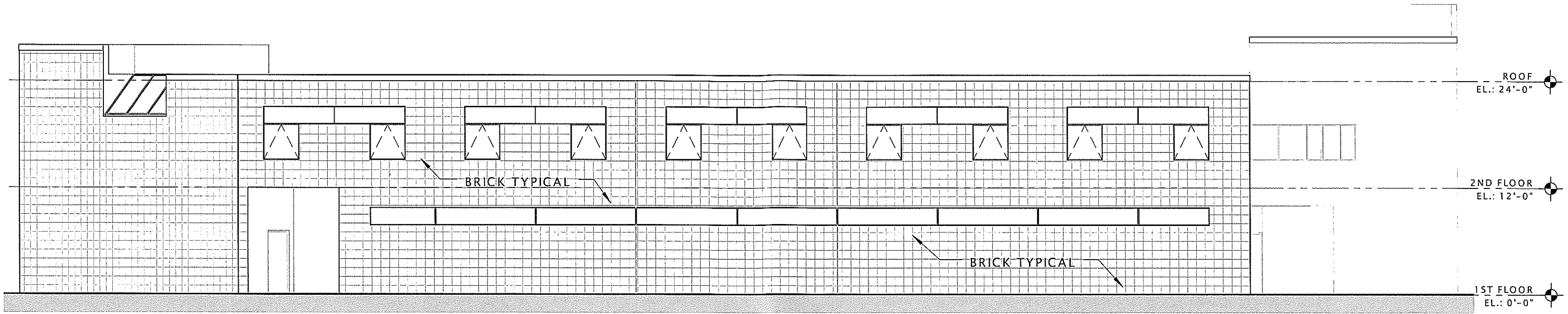
EDI BUILDING
 701 NORTH 25TH STREET
 RICHMOND, VIRGINIA 23230



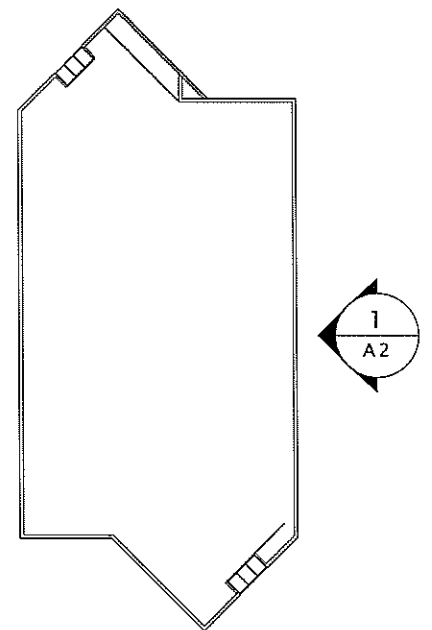
BUILDING LOCATION

A1	TITLE PAGE
A2	ELEVATIONS EXISTING
A3	ELEVATIONS EXISTING
A4	ELEVATIONS EXISTING
A5	ELEVATIONS NEW
A6	ELEVATIONS NEW
A7	ELEVATIONS NEW
A8	3D VIEW
A9	3D VIEW
A10	EXISTING CONDITION PHOTOS

EDI BUILDING – WINDOW REPLACEMENT

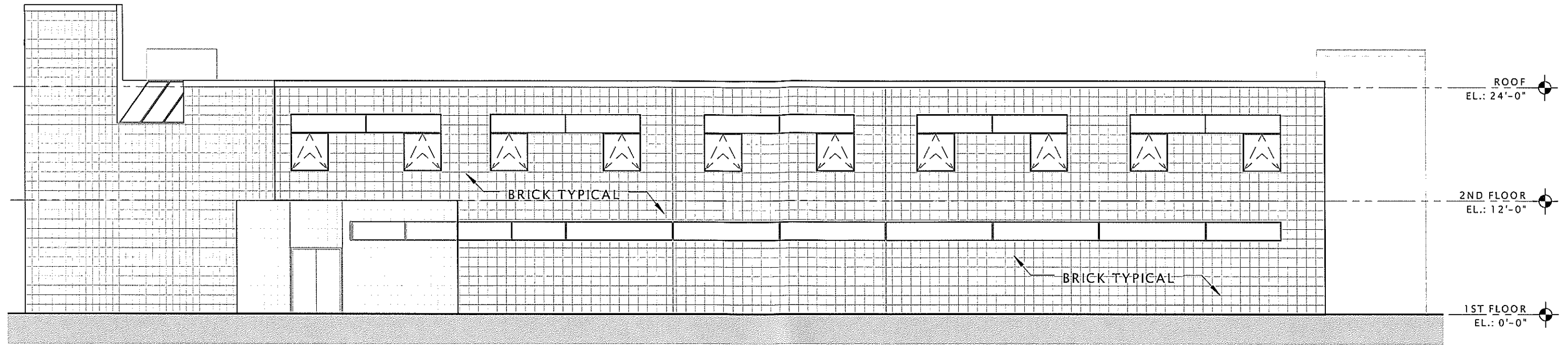


1 NORTH EXISTING ELEVATION
A2 SCALE: 3/32" = 1'-0"

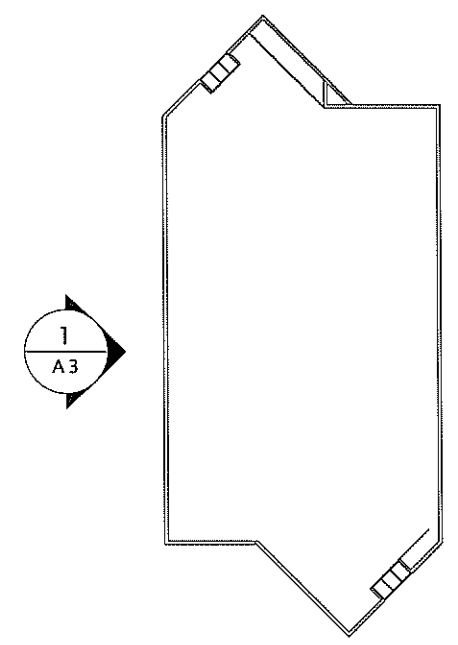


KEY PLAN

EDI BUILDING - WINDOW REPLACEMENT

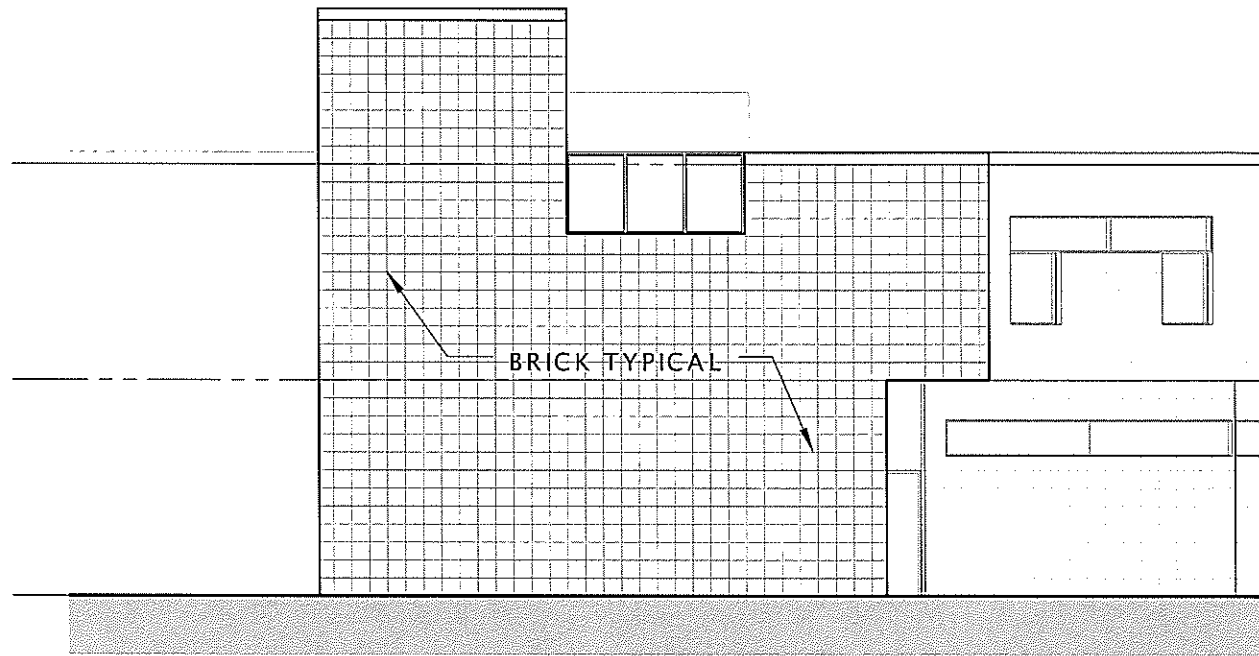


1 SOUTH ELEVATION EXISTING
 A3 SCALE: 3/32" = 1'-0"

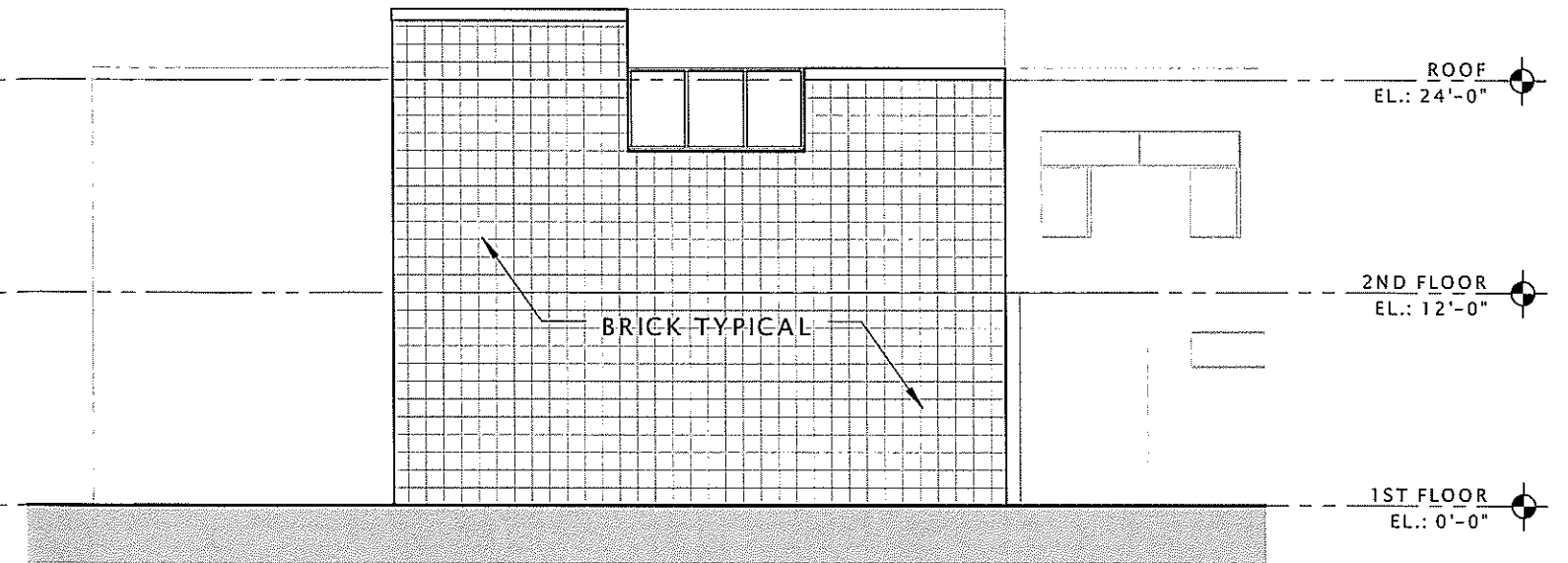


KEY PLAN

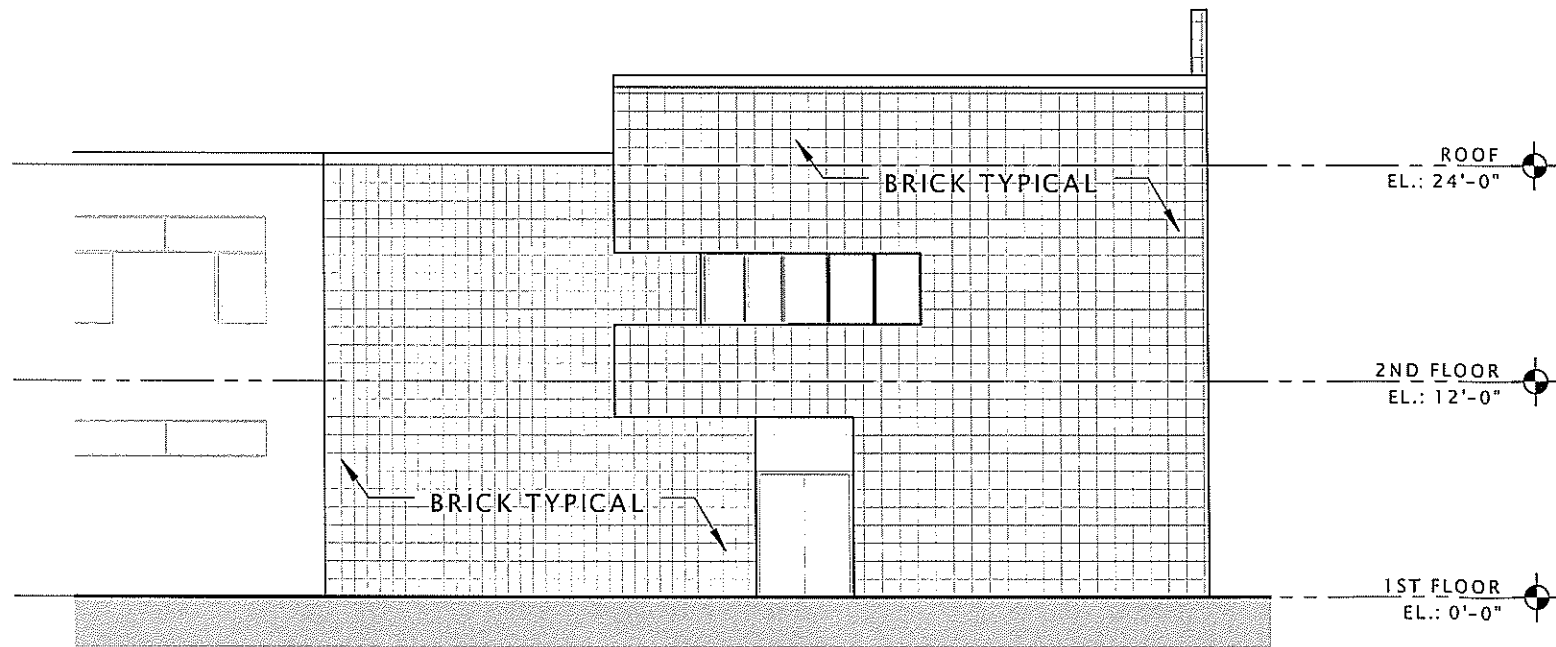
EDI BUILDING - WINDOW REPLACEMENT



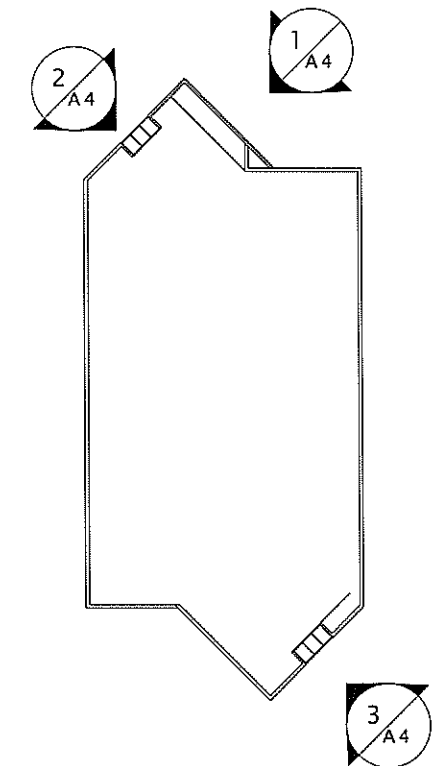
2
A4
SOUTHWEST EXISTING ELEVATION
SCALE: 3/32" = 1'-0"



3
A4
NORTHEAST EXISTING ELEVATION
SCALE: 3/32" = 1'-0"

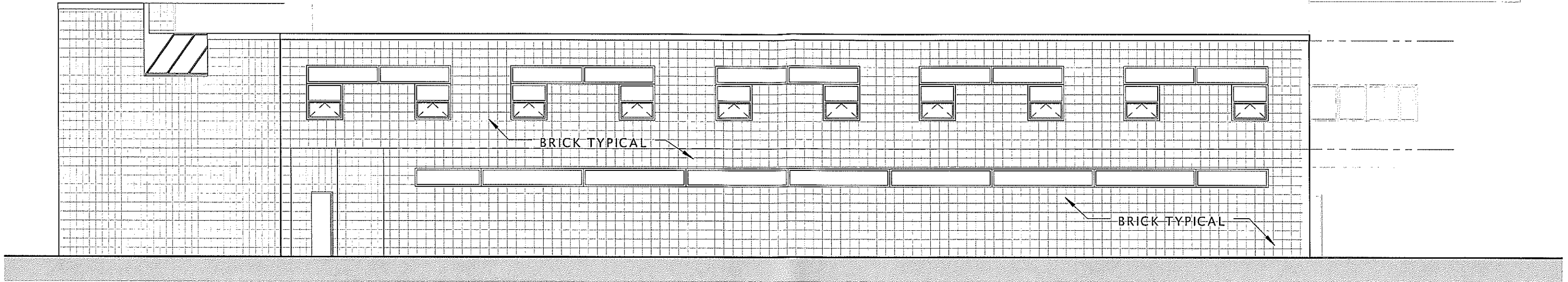


1
A4
NORTHWEST EXISTING ELEVATION
SCALE: 3/32" = 1'-0"

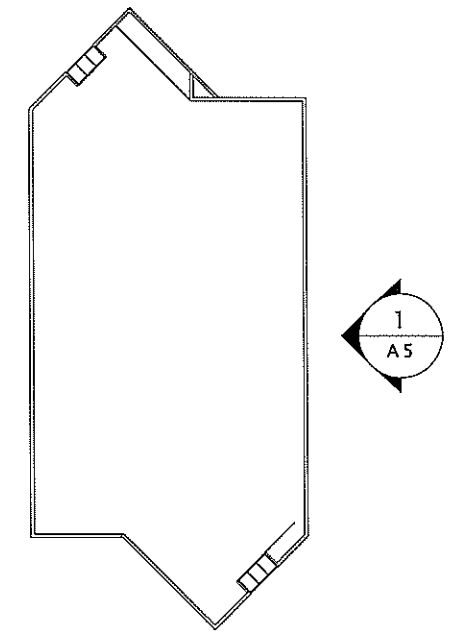


KEY PLAN

EDI BUILDING - WINDOW REPLACEMENT

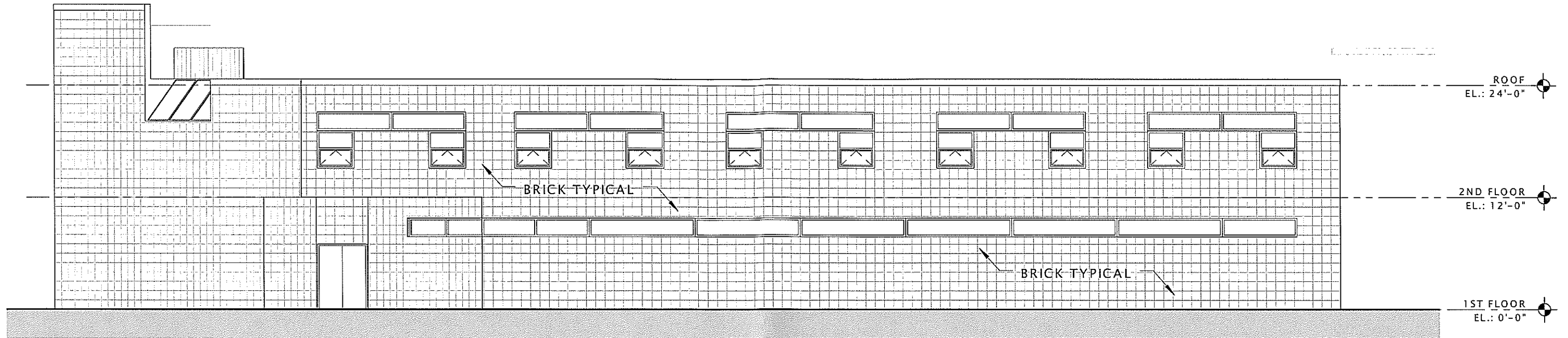


1
A5 NORTH ELEVATION NEW
SCALE: 3/32" = 1'-0"

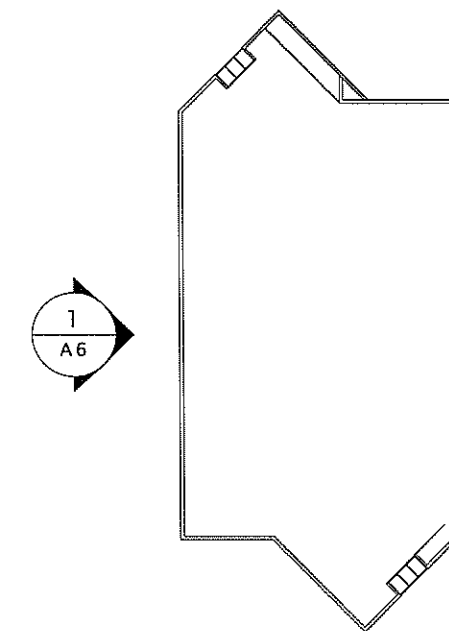


KEY PLAN

EDI BUILDING - WINDOW REPLACEMENT

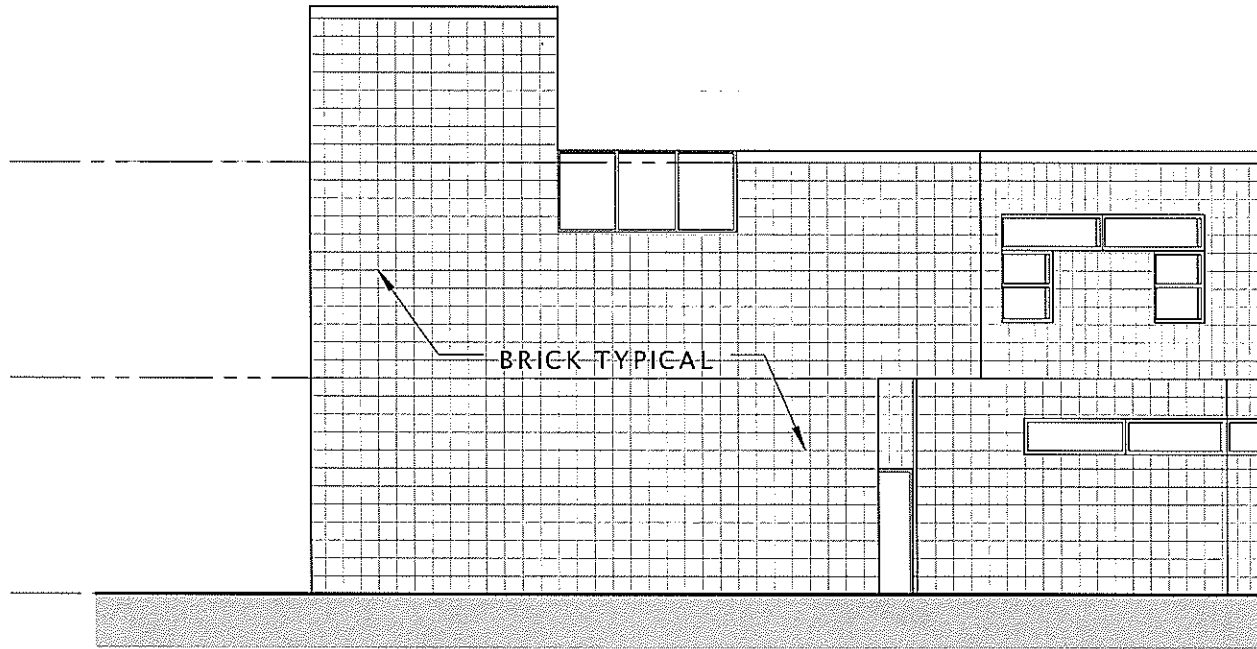


1 SOUTH ELEVATION NEW
 A6 SCALE: 3/32" = 1'-0"

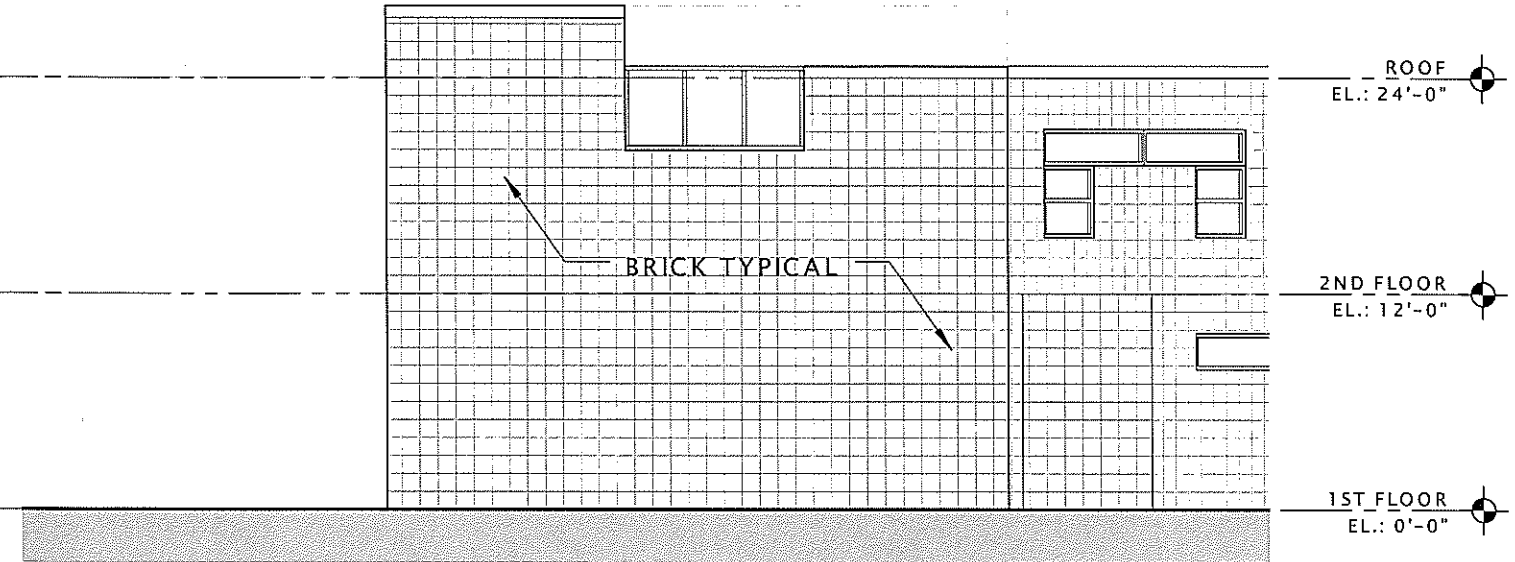


KEY PLAN

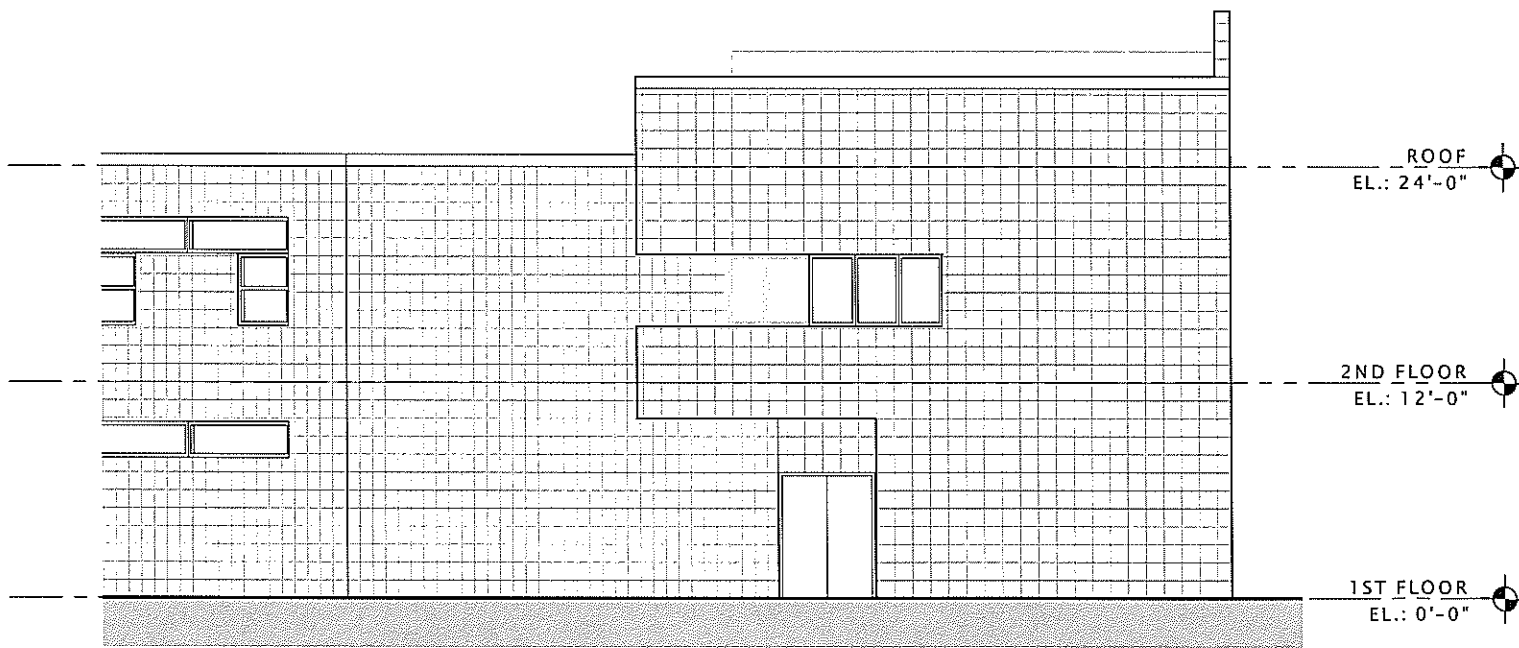
EDI BUILDING - WINDOW REPLACEMENT



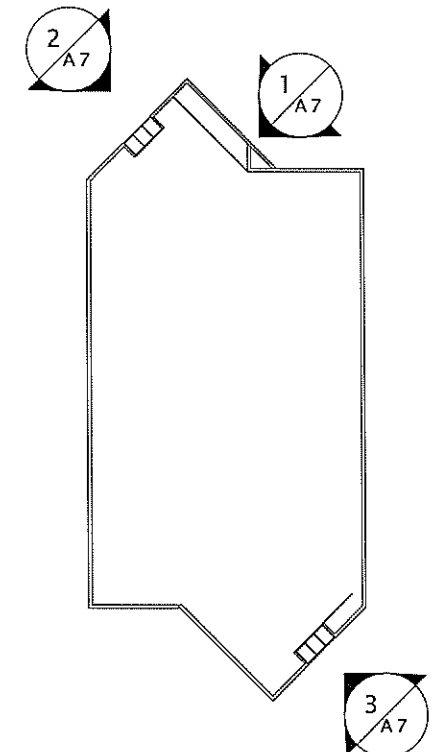
2
A7
SOUTHWEST ELEVATION NEW
SCALE: 3/32" = 1'-0"



3
A7
NORTHEAST ELEVATION NEW
SCALE: 3/32" = 1'-0"

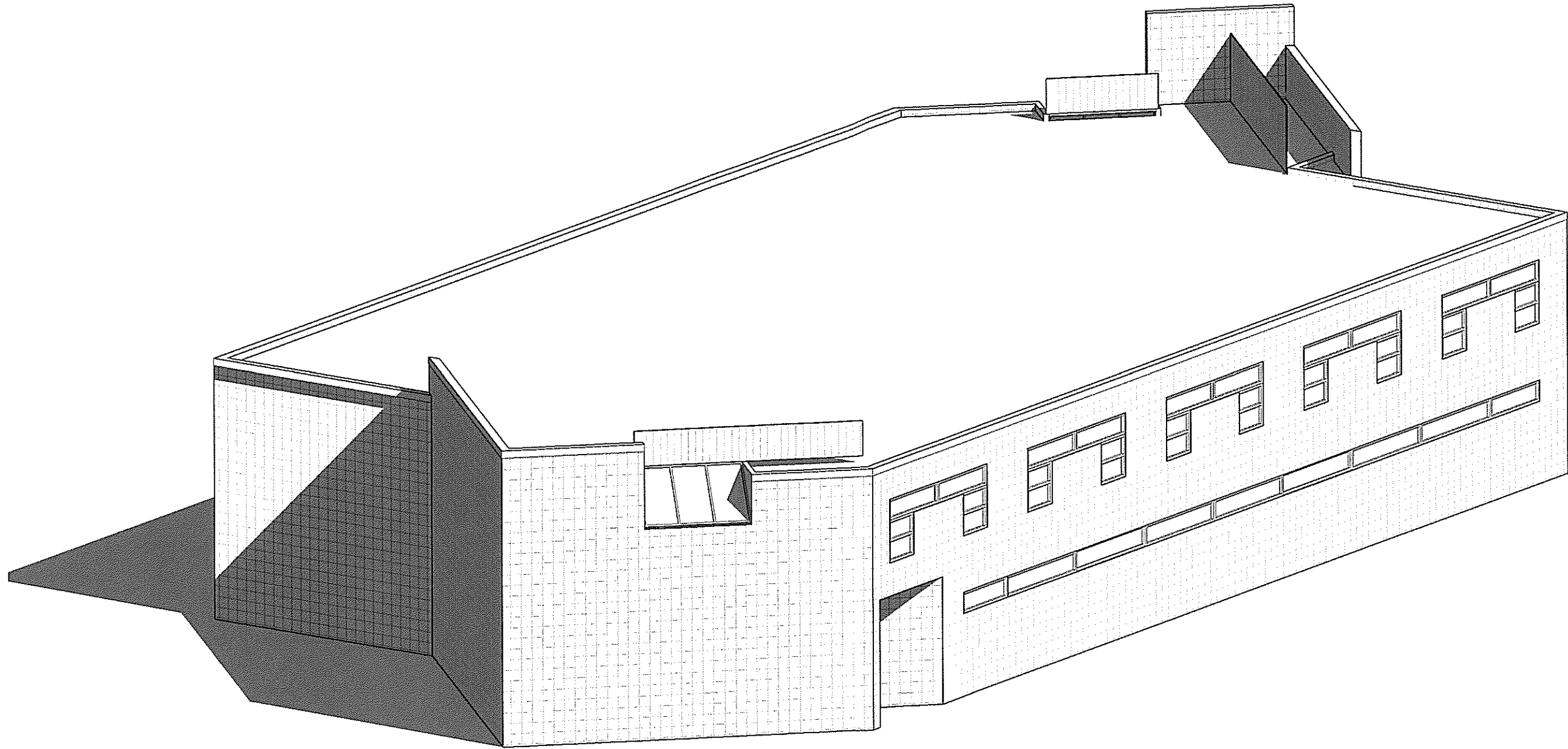


1
A7
NORTHWEST ELEVATION NEW
SCALE: 3/32" = 1'-0"



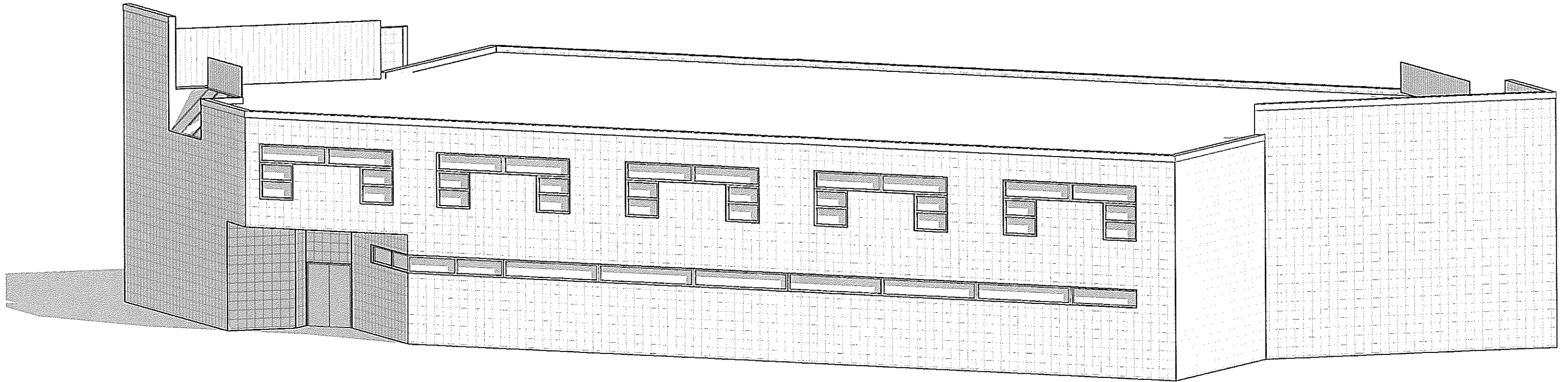
KEY PLAN

EDI BUILDING - WINDOW REPLACEMENT



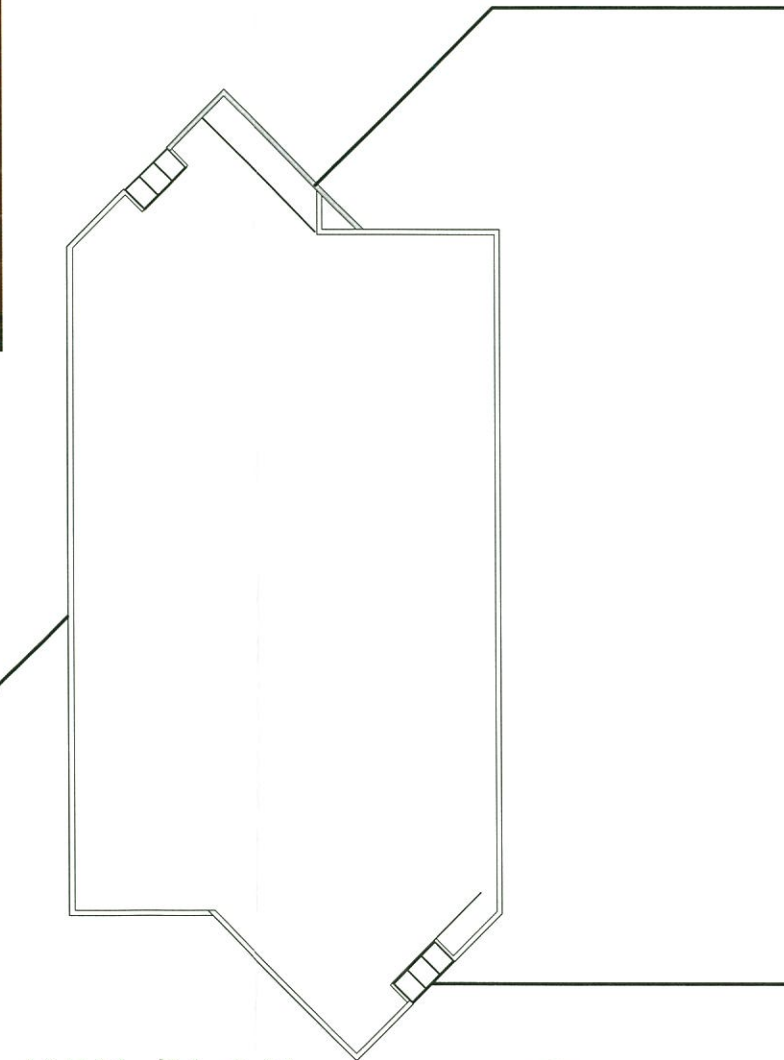
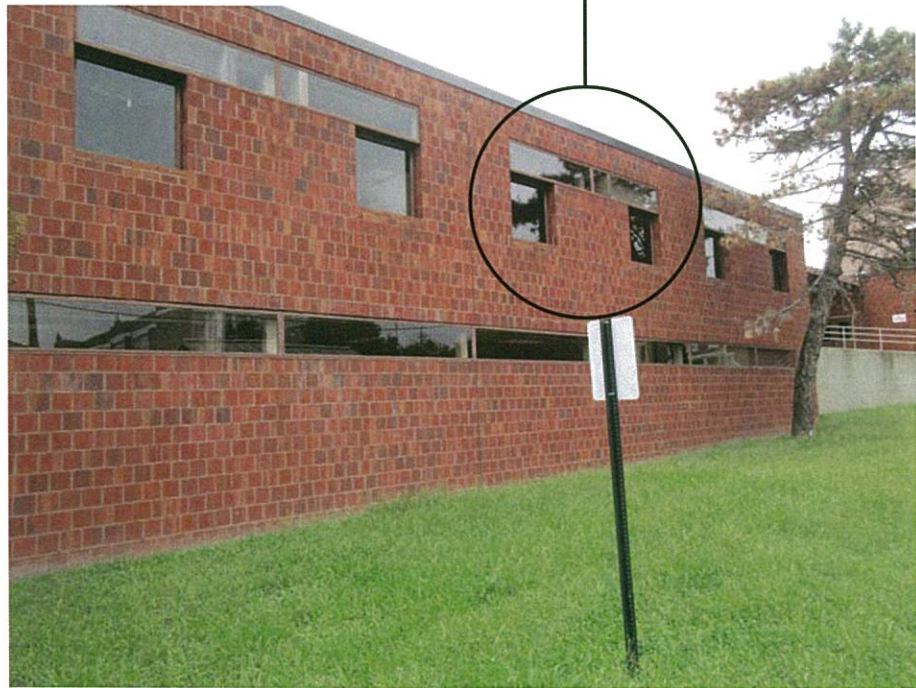
EDI BUILDING - WINDOW REPLACEMENT

12/16/16



EDI BUILDING – WINDOW REPLACEMENT

12/16/16



EDI BUILDING – WINDOW REPLACEMENT

12/16/16