



# COMMISSION OF ARCHITECTURAL REVIEW

## APPLICATION FOR CERTIFICATE OF APPROPRIATENESS

PROPERTY (location of work)

Address 523 N 28th Street, Richmond, VA 23223

Historic district Church Hill North

Date/time rec'd: 4-26 12:05  
Rec'd by: KC  
Application #: COA-034553-2018  
Hearing date: 5/22/2018

### APPLICANT INFORMATION

Name Lindsay Ebersole

Phone 843-685-9292

Company \_\_\_\_\_

Email lindsay.b.ebersole@gmail.com

Mailing Address 523 N 28th Street  
Richmond, VA 23223

Applicant Type:  Owner  Agent  
 Lessee  Architect  Contractor  
Other (please specify): \_\_\_\_\_

### OWNER INFORMATION (if different from above)

Name \_\_\_\_\_

Company \_\_\_\_\_

Mailing Address \_\_\_\_\_

Phone \_\_\_\_\_

\_\_\_\_\_

Email \_\_\_\_\_

### PROJECT INFORMATION

Review Type:  Conceptual Review  Final Review

Project Type:  Alteration  Demolition  New Construction  
(Conceptual Review Required)

Project Description: (attach additional sheets if needed)

Construction of a 6'x6' storage shed that will be mostly out of view of the street and alley thanks to our 6' high privacy fence. The exterior of the shed will match the exterior color of our house and the roof will be shingled. The shed will be tucked into the back corner of our fenced in yard. Please see attached shed plans for details.

### ACKNOWLEDGEMENT OF RESPONSIBILITY

**Compliance:** If granted, you agree to comply with all conditions of the COA. Revisions to approved work require staff review and may require a new application and CAR approval. Failure to comply with the COA may result in project delays or legal action. The COA is valid for one (1) year and may be extended for an additional year, upon written request.

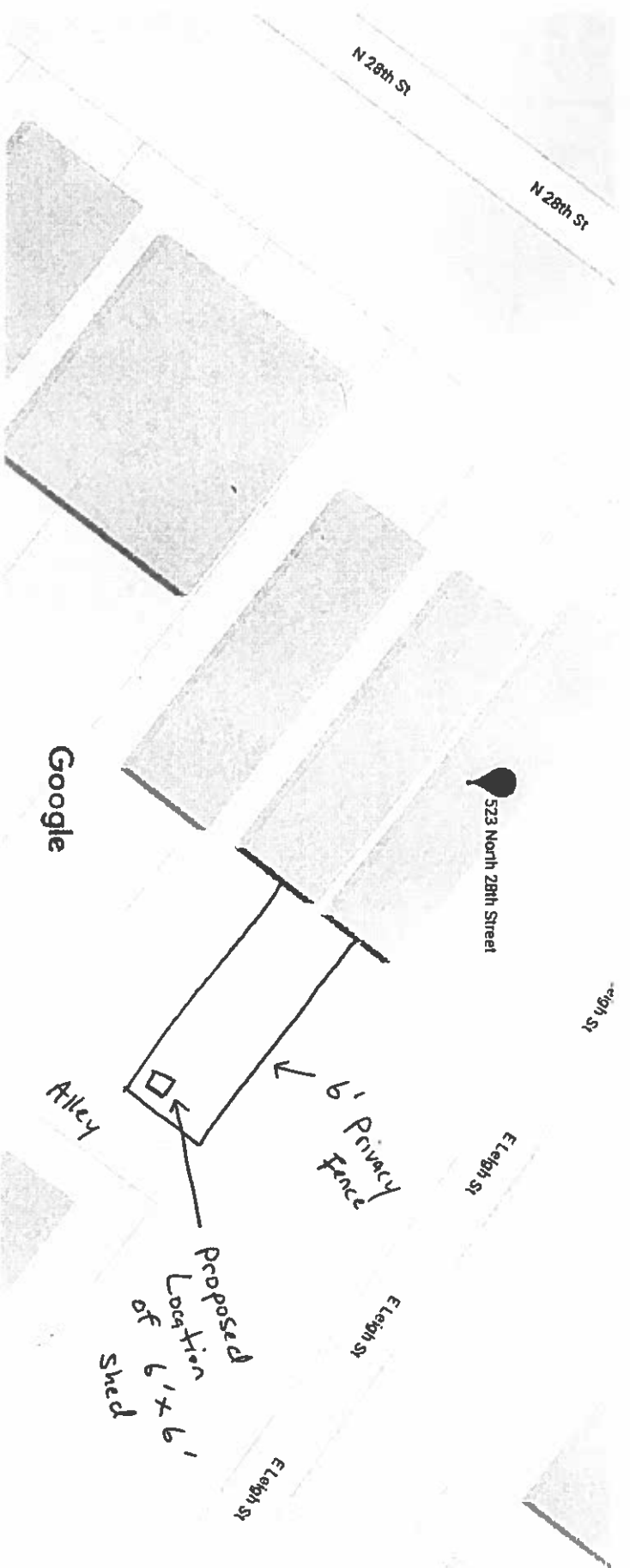
**Requirements:** A complete application includes all applicable information requested on checklists to provide a complete and accurate description of existing and proposed conditions. Preliminary review meeting or site visit with staff may be necessary to process the application. Owner contact information and signature is required. Late or incomplete applications will not be considered.

**Zoning Requirements:** Prior to CAR review, it is the responsibility of the applicant to determine if zoning approval is required and application materials should be prepared in compliance with zoning.

Signature of Owner

Date 4/25/18

Google Maps 523 N 28th St



Map data ©2018 Google 20 ft



- HOME
- SEARCH BY CATEGORY
- SEARCH BY IMAGE
- BRAGS
- VIDEOS
- COMMENTS
- SUBMIT YOUR PROJECT
- TOOLS

## 6x6 GARDEN SHED PLANS

0 VIEWS 0 COMMENTS 0 ADD TO FAVORITES YOUR FAVORITES RANDOM PLAN

This step by step diy project is about 6x6 storage shed plans. I have designed this small square shed so you can store tools and other garden equipment. The shed features a large 4' door to the front and a gable roof. The pitch of the roof is 4/12. Make sure you check the local codes and make adjustments to the plans, if required. Take a look over the rest of my woodworking plans, if you want to get more building inspiration.

When buying the lumber, you should select the planks with great care, making sure they are straight and without any visible flaws (cracks, knots, twists, decay). Investing in cedar or other weather resistant lumber is a good idea, as it will pay off on the long run. Use a spirit level to plumb and align the components, before inserting the galvanized screws, otherwise the project won't have a symmetrical look.

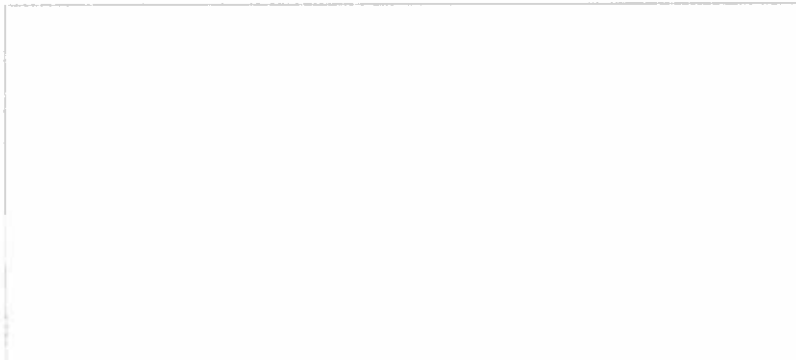
SEARCH BY KEYWORD

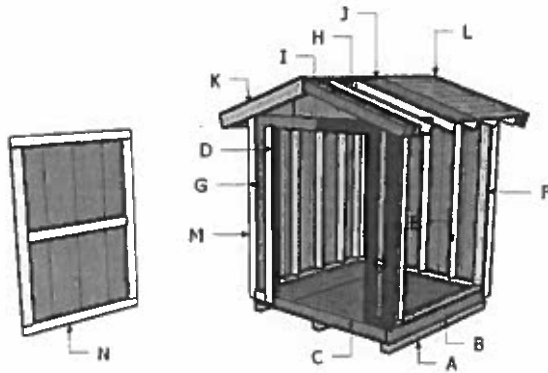


### PROJECTS MADE FROM THESE PLANS



### BUILDING A 6x6 SHED





MyOutdoorPlans.com

Building a 6x6 shed

MATERIALS TOOLS TIME RELATED PLANS

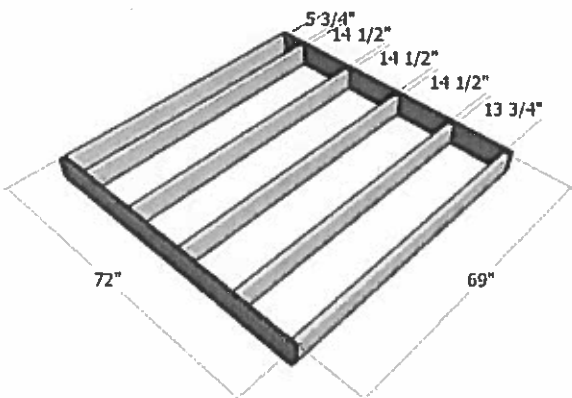
- A – 3 pieces of 4x4 lumber – 72" long SKIDS
- B – 2 pieces of 2x6 lumber – 72" long, 6 pieces – 69" long FLOOR
- C – 1 piece of 3/4" plywood – 48"x72" long, 1 piece – 24"x72" long FLOORING
- D – 2 pieces of 2x4 lumber – 12" long, 1 piece – 72" long, 6 piece – 73" long, 2 pieces – 69 1/2" long, 2 pieces – 51" long FRONT WALL
- E – 2 pieces of 2x4 lumber – 72" long, 8 pieces – 73" long BACK WALL
- F – 2 pieces of 2x4 lumber – 65" long, 6 pieces – 73" long 2xSIDE WALL
- G – 3 pieces of T1-11 siding – 48"x79 3/4" long, 3 pieces – 24"x79 3/4" long, 2 pieces – 38"x79 3/4" long EXTERIOR WALLS

- 3 pieces of 4x4 lumber – 6'
- 8 pieces of 2x6 lumber – 6'
- 2 pieces of 3/4" plywood – 4 x8'
- 11 pieces of 2x4 lumber – 6'
- 26 pieces of 2x4 lumber – 8'
- 7 pieces of T1-11 – 48"x96"
- 8d nails, 2 1/2" screws, 3 1/2" screws
- wood filler, wood glue, stain/paint



6x6 GARDEN SHED PLANS

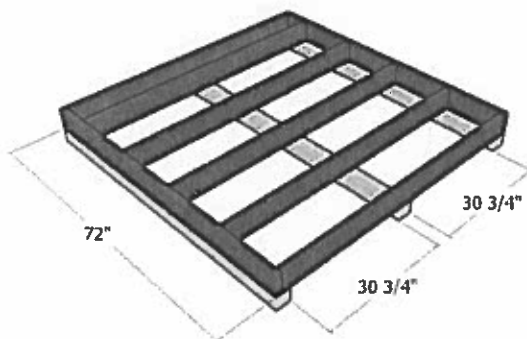




MyOutdoorPlans.com

Building the floor frame

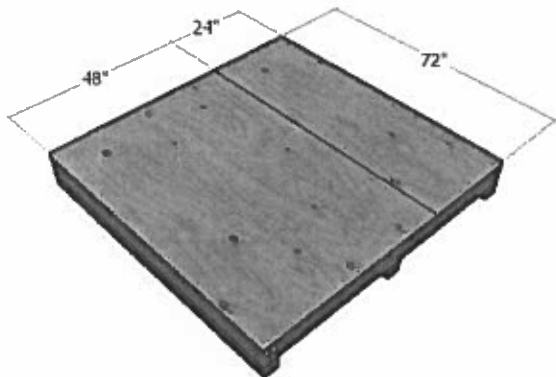
The first step of the project is to build the frame of the floor. Cut the joists from 2x8 lumber at the right dimensions. Drill pilot holes through the rim joists and insert 3 1/2\" screws into the perpendicular components. Make sure the corners are square and align the edges flush.



MyOutdoorPlans.com

Fitting the skids

Select the location for the shed and level the surface thoroughly. Fit the 4x4 skids and the attach the floor frame on top. Use rafter ties to lock the skids to the frame.



MyOutdoorPlans.com

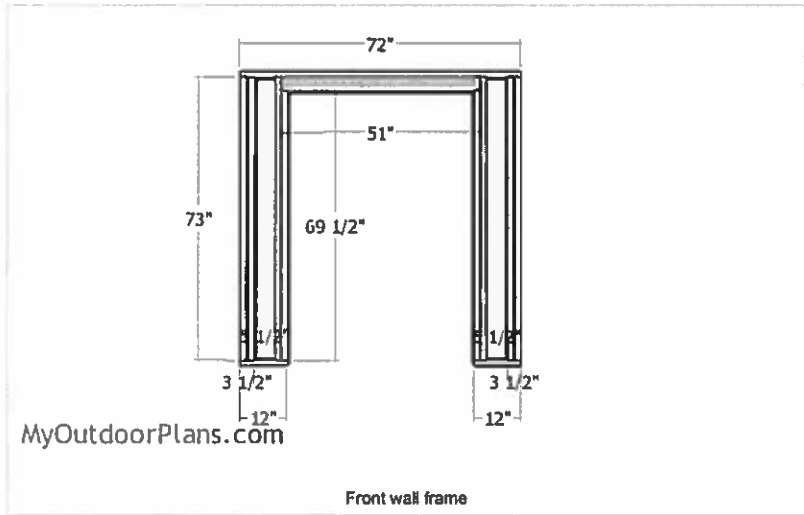
Fitting the floor sheets

- [Buy Vegetable Seeds](#)
- [Deck Landscaping Ideas](#)
- [Garden Decor Design](#)
- [Cheap Gardening Tools](#)
- [Garden Lamp Posts](#)
- [Backyard Landscaping](#)
- [Home Balcony Gardens](#)
- [Ralsed Flower Beds](#)
- [Cheap Garden Decor](#)
- [Garden Furniture Sale](#)
- [Stylish Patio Furniture](#)
- [Outdoor Patio Furniture](#)
- [Front Yard Landscaping Ideas](#)
- [Magazines On Gardening](#)

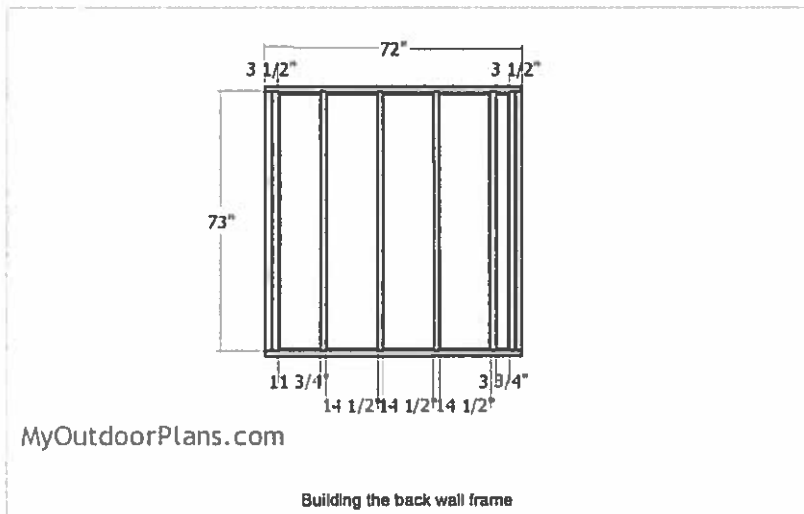
*\*MyOutdoorPlans is participant in the Amazon Services LLC Associates Program, an affiliate advertising program designed to provide a means for sites to earn advertising fees by advertising and linking to Amazon.com. Read More >>*

SEARCH BY KEYWORD

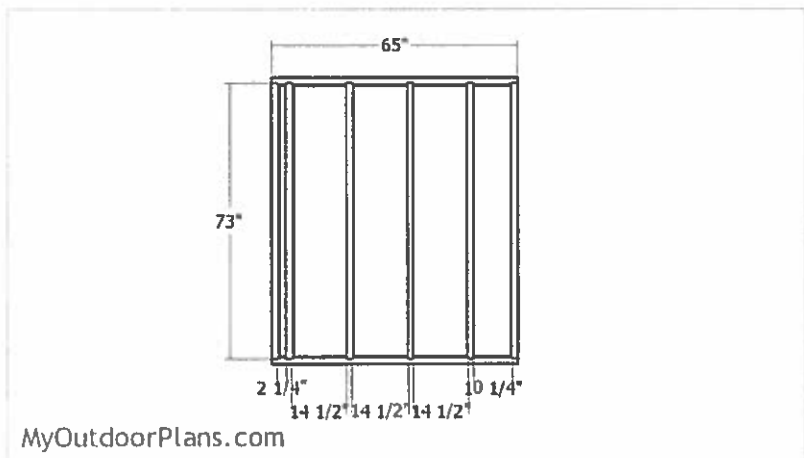
Fit the 3/4" plywood sheets to the floor frame of the shed. Cut the sheets and then align the edges with attention. Drill pilot holes through the sheets and insert 1 5/8" screws, every 8" along the framing.



Use 2x4 lumber for the front wall frame. Drill pilot holes through the plates and insert 3 1/2" screws into the studs. Make sure the corners are square and align the edges flush. Build a double header for the door from 2x4 lumber and 1/2" plywood.



Build the frame for the back wall from 2x4 lumber. Cut the components from 2x4 lumber at the right dimensions. Drill pilot holes through the plates and insert 3 1/2" screws into the studs. Make sure the corners are square and place the studs every 16" on center.



1	Outdoor Pizza Ovens
2	Firewood Storage Shed
3	Plans For Sheds
4	Best Firewood Sheds
5	Shed Building Plans
6	10 Best Shed Plans

Building the side wall frames

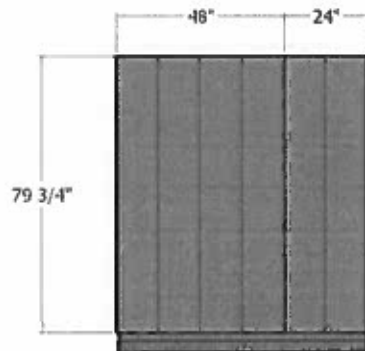
Build the side walls for the 6x6 garden shed using the same techniques described above and following the information in the diagram.



MyOutdoorPlans.com

Assembling the shed frame

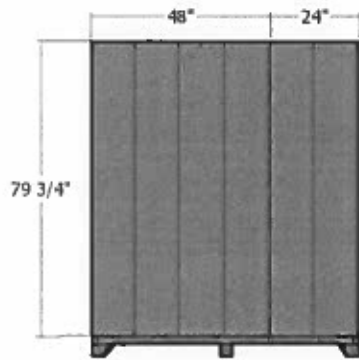
Fit the front and the back wall frames to the shed floor. Align the edges with attention and plumb the walls with a spirit level. Make sure the corners are square and drill pilot holes through the bottom plates. Insert 3 1/2" screws to lock the wall frames into place tightly. Fit the side walls frames, drill pilot holes through the bottom plates and insert 3 1/2" screws to lock them into place tightly. Moreover, you need to lock the adjacent walls together tightly, by using 2 1/2" screws.



MyOutdoorPlans.com

Side wall sheets

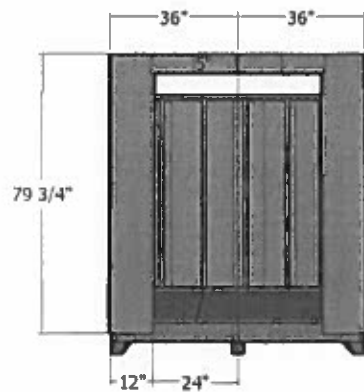
Use T1-11 siding for the exterior walls. Cut the panels at the right dimensions and then align them into place with attention. Insert 6d nails every 8" along the framing, so you can lock the sheets into place tightly. Leave no gaps between the sheets for a professional result.



MyOutdoorPlans.com

Back wall sheets

Fit the sheets to the back wall, as well.



MyOutdoorPlans.com

Fitting the front wall sheets

Fit the walls to the front wall, as well. Align the edges and use 6d nails. Make the cuts so you can fit the sheets around the door opening.



MyOutdoorPlans.com

6x6 Shed Plans – Back view

You need to also build the gable roof and fit the decorative trims. This small shed is ideal for a lawn mower and a few garden tools. The large 4' front door allows and easy access.

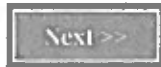




6x6 Shed Plans

I have lots of other shed projects on the site so I recommend you to browse through all alternatives before starting the building project. See all my shed projects [HERE](#). Moreover, check out [PART 2](#) of the shed, so you learn how to build the roof and the double front doors.

This woodworking project was about [6x6 garden shed plans free](#). If you want to see more outdoor plans, check out the rest of our step by step projects and follow the instructions to obtain a professional result.



POSTED IN » [Shed](#)



12x12 Lean to Shed Plans



6x8 Small Garden Shed Plans



8x8 Lean to Shed Plans

GET PLANS TO YOUR EMAIL

EMAIL ADDRESS

you@domain.com

FIRST NAME

Your Name

SIGN UP

WANT MORE IDEAS?



Kids



Garden



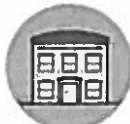
Animals



Planter



Car



Indoor



Furniture



Shed

LEAVE YOUR COMMENT >>

Name (required)



Email (required)



Website



Comment

POST COMMENT



- HOME
- SEARCH BY CATEGORY
- SEARCH BY IMAGE
- BRAGS
- VIDEOS
- COMMENTS
- SUBMIT YOUR PROJECT
- TOOLS

## 6x6 GABLE SHED ROOF PLANS

0 VIEWS 0 COMMENTS 0 ADD TO FAVORITES YOUR FAVORITES RANDOM PLAN

This step by step diy project is about 6x6 shed gable roof plans. This is PART 2 of the 6x6 gable shed plans, where I show you how to build the roof and the front door. In addition, I show you how to add decorative trims to the shed. The pitch of the roof is 4/12. Make sure you check the local codes and make adjustments to the plans, if required. Take a look over the rest of my woodworking plans, if you want to get more building inspiration.

When buying the lumber, you should select the planks with great care, making sure they are straight and without any visible flaws (cracks, knots, twists, decay). Investing in cedar or other weather resistant lumber is a good idea, as it will pay off on the long run. Use a spirit level to plumb and align the components, before inserting the galvanized screws, otherwise the project won't have a symmetrical look.

SEARCH BY KEYWORD

GET INSPIRED

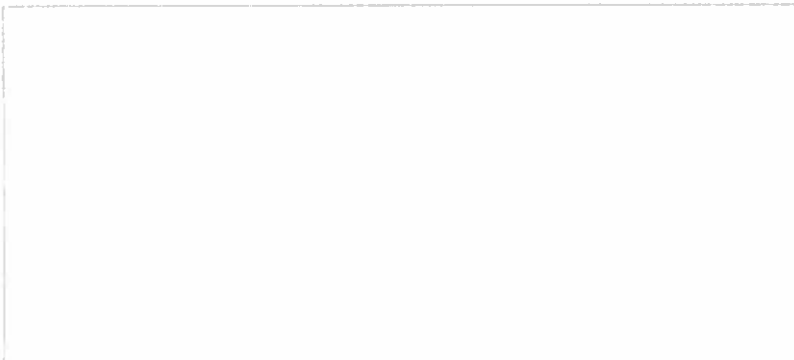
YOUR FAVORITES

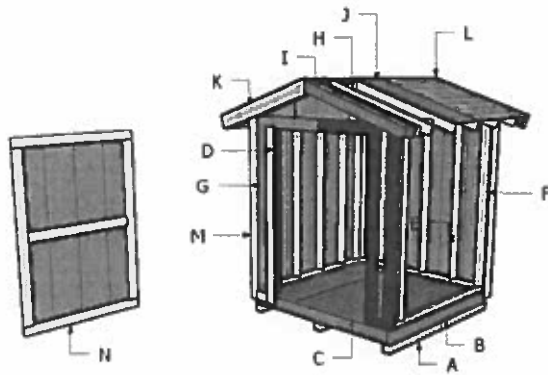
DIY TUTORIALS

### PROJECTS MADE FROM THESE PLANS



### BUILDING A 6x6 GABLE SHED ROOF





MyOutdoorPlans.com

Building a 6x6 shed

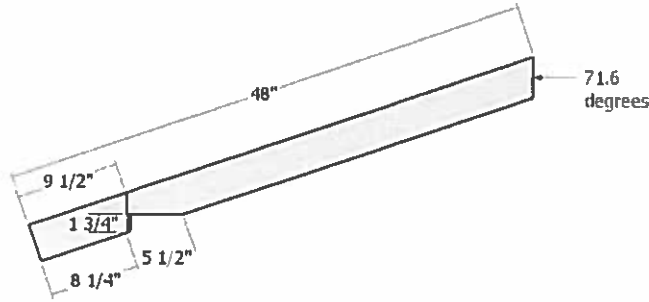
MATERIALS TOOLS TIME RELATED PLANS

- G – 2 pieces of T1-11 siding – 48"x14 1/4" long, 2 pieces – 10 1/4"x24" long SIDING
- H – 12 pieces of 2x4 lumber – 48" long RAFTERS
- I – 4 pieces of 2x4 lumber – 48" long, 10 pieces – 5" long 2xOVERHANG
- J – 2 pieces of 3/4" plywood – 48"x89 1/4" long ROOF
- K – 2 pieces of 1x6 lumber – 89 1/4" long, 4 pieces – 49" long TRIMS
- L – 100 sq ft of tar paper, 100 sq ft of asphalt shingles ROOFING
- M – 4 pieces of 1x4 lumber – 78" long, 1 piece – 87 3/4" long, 4 pieces – 78" long, 2 pieces – 66 1/4" long, 2 pieces – 6 1/2" long, 2 pieces – 74 3/4" long, 1 piece – 55" long TRIMS
- N – 2 pieces of 1x4 lumber – 48" long, 2 pieces – 64 3/4" long, 1 piece – 41" long, 1 piece of T1-11 siding – 48"x71 3/4" long DOOR

- 10 pieces of 2x4 lumber – 8'
- 2 pieces of 3/4" plywood – 4'x8'
- 100 sq ft of tar paper, 100 sq ft of asphalt shingles
- 2 pieces of 1x6 lumber – 8'
- 2 pieces of 1x6 lumber – 10'
- 18 pieces of 1x4 lumber – 8'
- 2 pieces of T1-11 – 4'x8'
- 1 piece of 1/2" plywood – 4'8'
- shed hinges + latch
- tar paper
- 6d nails, 2 1/2" screws, 3 1/2" screws
- wood filler, wood glue, stain/paint

6x6 SHED ROOF PLANS

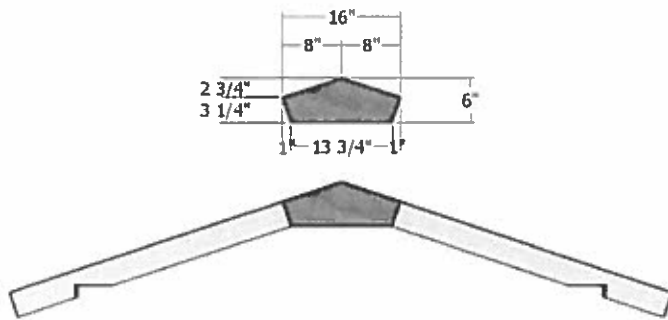




MyOutdoorPlans.com

Building the rafters

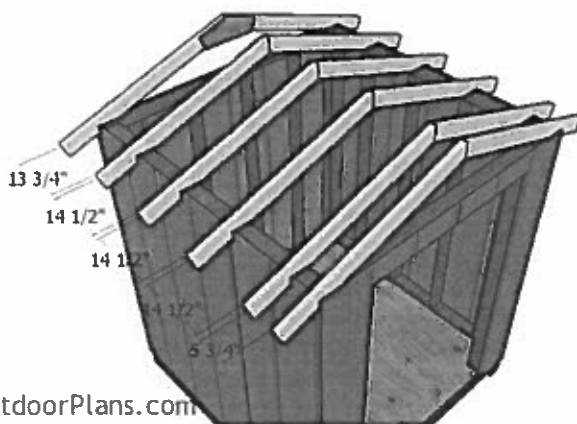
The first step of the project is to build the rafters for the 6x6 gable shed. Mark the cut lines on the boards and then get the job done with a saw. Smooth the edges with sandpaper so you get a professional result.



MyOutdoorPlans.com

Assembling the trusses

Lay the rafters on a level surface and then attach the 1/2" plywood gussets. Use 1 1/2" screws to secure the gussets into place.



MyOutdoorPlans.com

Fitting the trusses

Fit the trusses to the top of the shed, every 16" on center. Use rafter ties to lock the trusses to the top plates tightly.

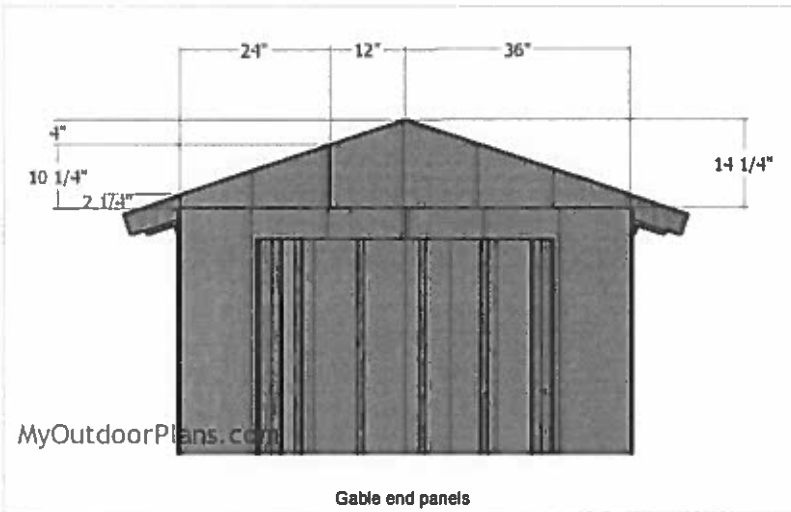
- [▶ Shed Plans](#)
- [▶ How To Build A Shed](#)
- [▶ Firewood Storage Shed](#)
- [▶ Backyard Sheds For Sale](#)
- [▶ Storage Shed Designs](#)
- [▶ Pergola Plans](#)
- [▶ Outdoor Pizza Oven Plans](#)
- [▶ Free Woodworking Plans](#)
- [▶ Pergolas With Roof](#)
- [▶ Deer Blind Plans](#)
- [▶ Outdoor Benches](#)
- [▶ Backyard Chicken Coop Kits](#)
- [▶ Living In A Shed](#)
- [▶ Wood Fired Pizza Ovens](#)

*\*MyOutdoorPlans is participant in the Amazon Services LLC Associates Program, an affiliate advertising program designed to provide a means for sites to earn advertising fees by advertising and linking to Amazon.com. Read More >>*

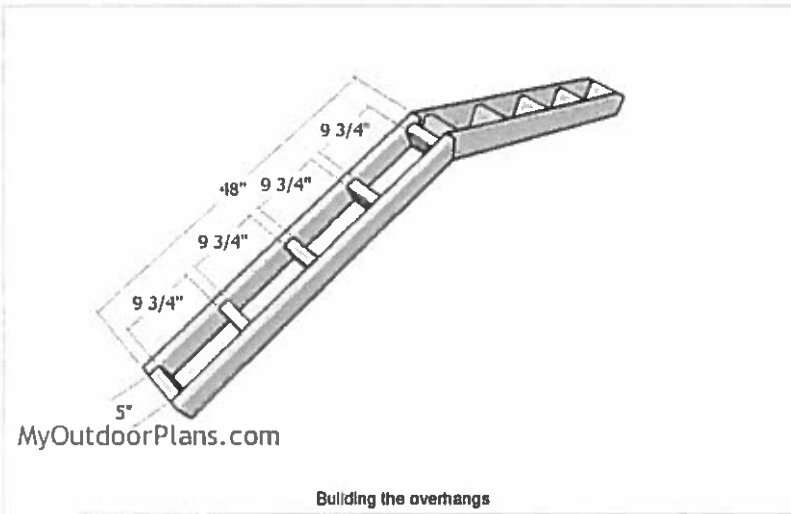
**1** Search

**2** Build

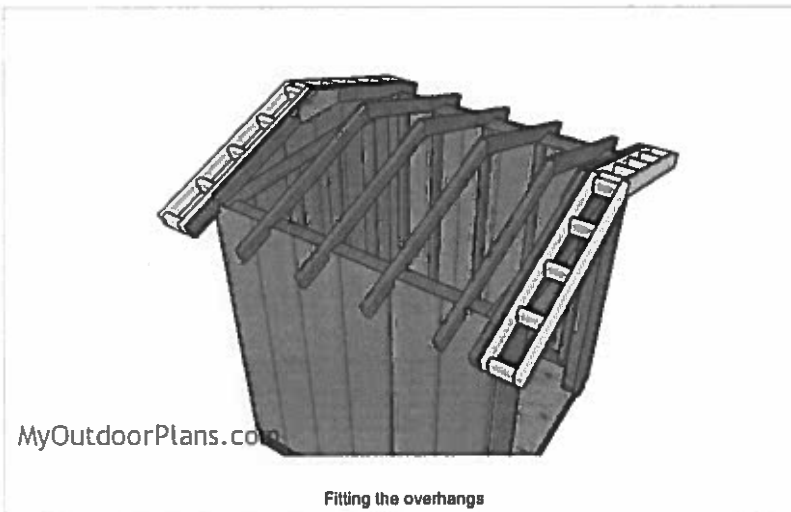
**3** Share



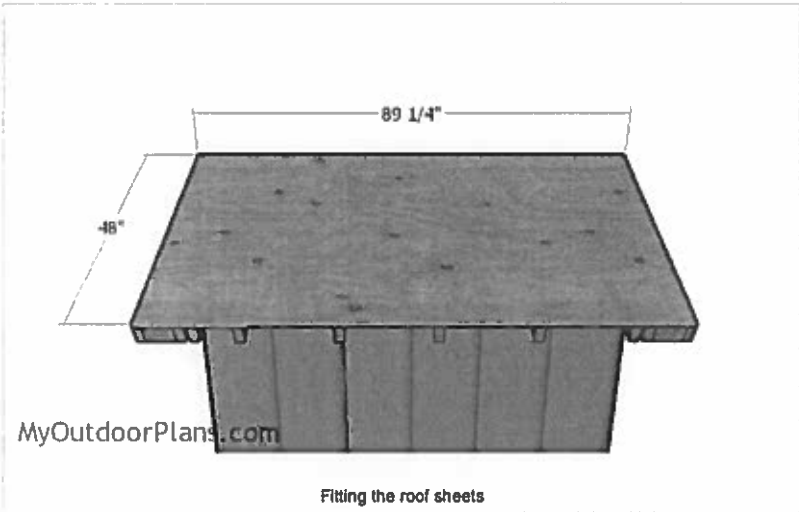
- See Also
- 1 SHED PLANS
  - 2 LEAN-TO STORAGE SHED
  - 3 HOW TO BUILD A SHED
  - 4 STORAGE SHED DESIGNS
  - 5 LIVING IN A SHED



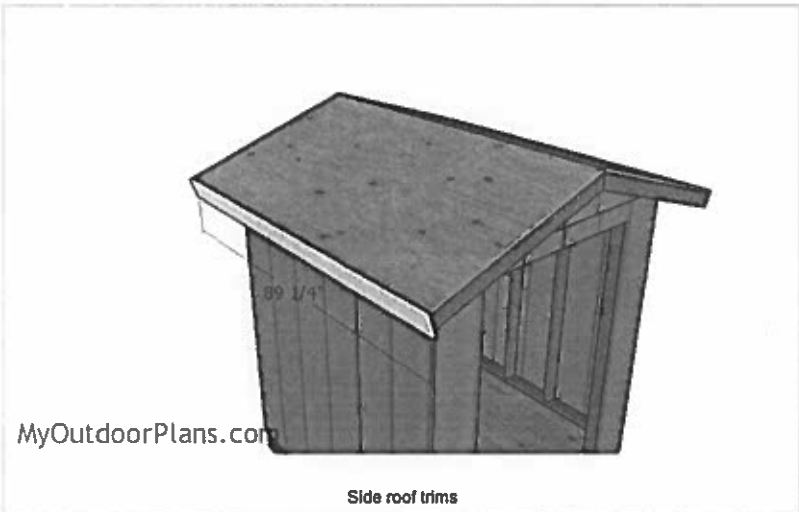
Assemble the front and back overhangs for the shed from 2x4 lumber. Drill pilot holes through the rafters and insert 3 1/2" screws into the blockings.



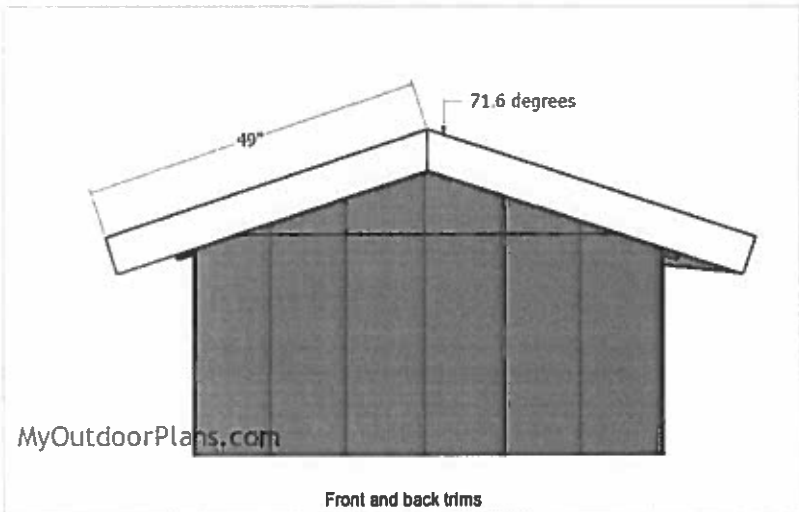
Fit the overhangs to the front and to the back of the shed. Align the edges flush, drill pilot holes and insert 3 1/2" screws.



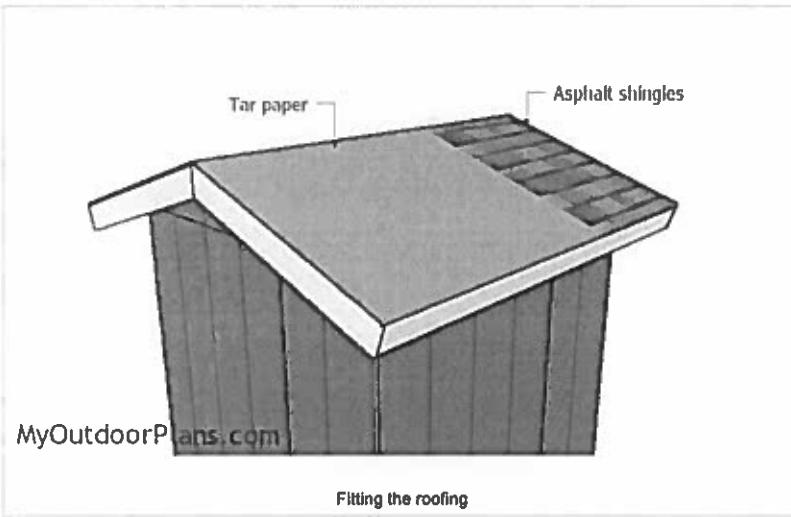
Cut the sheets for the roof from 3/4" plywood and then fit them to the top of the shed. Align the edges with attention, drill pilot holes and insert 1 5/8" screws, every 8" along the rafters.



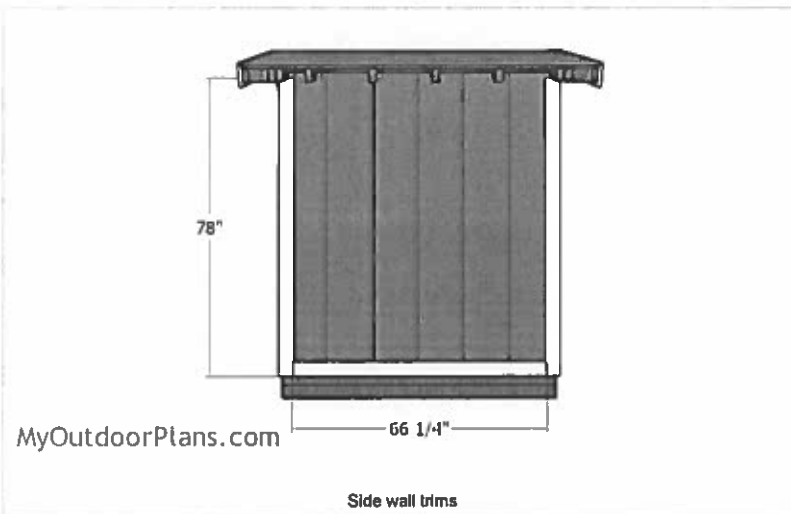
Fit the 1x6 trims to the sides of the shed. Align the edges with attention and insert 2" nails to lock the trims into place tightly.



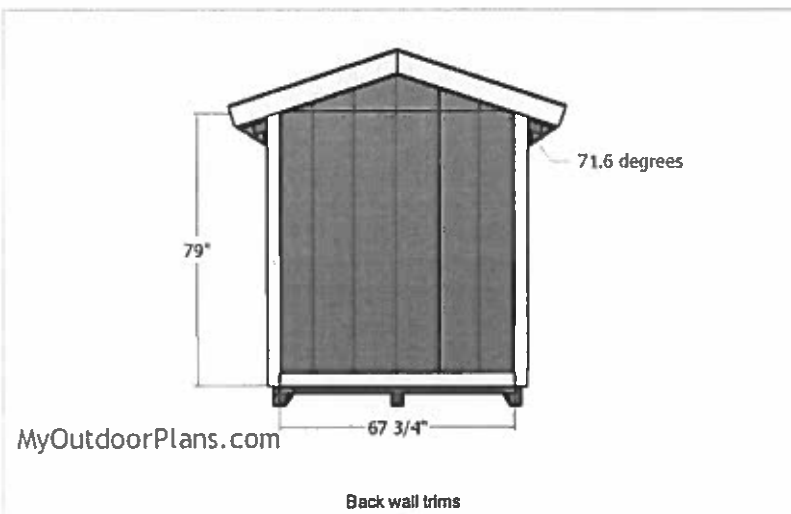
Fit 1x6 trims to the front and to the back of the shed roof. Align the edges and insert 6d nails to lock them into place tightly.



Cover the roof with tar paper and then install the asphalt shingles. Make sure you also install the appropriate drip edges, so you can seal the shed roof. Read the manufacturer's instructions for a tight fit.

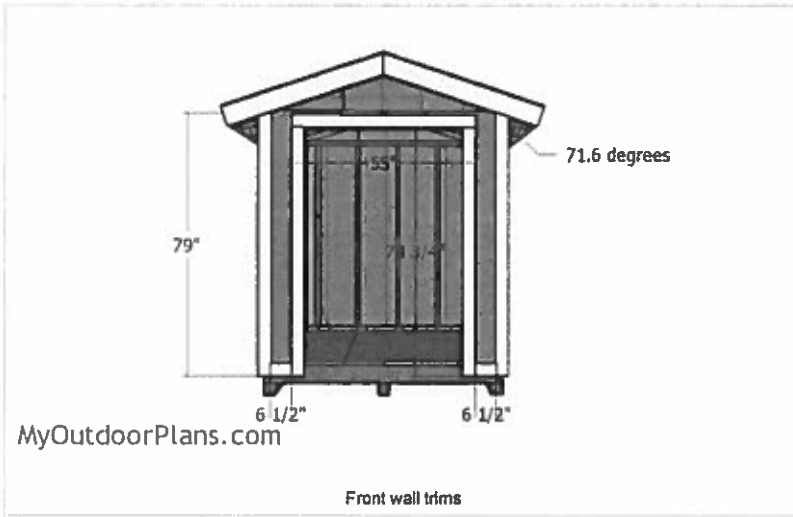


Fit the 1x4 decorative trims to the sides of the shed. Align the edges with attention and insert 2" nails to lock them into place tightly.

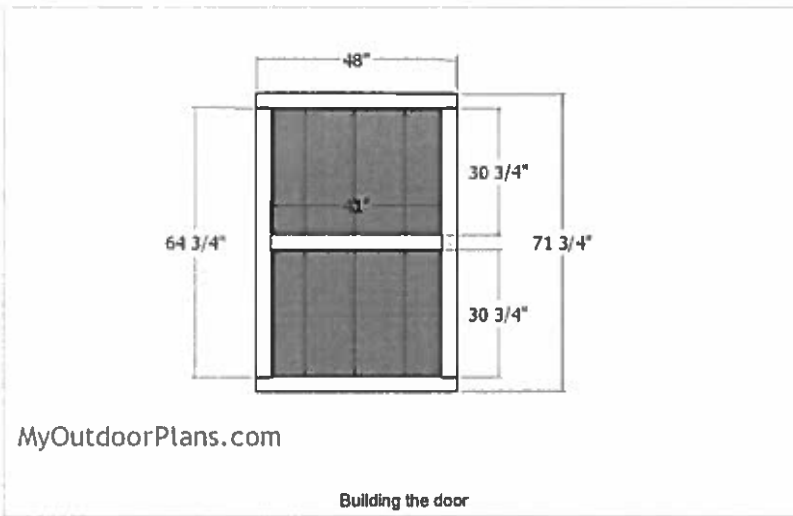




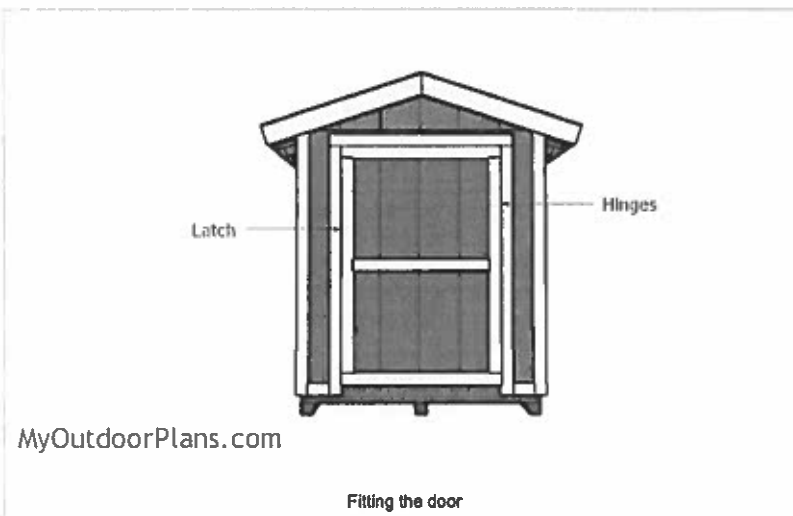
Fit the decorative trims to the back of the shed, as well. Use 2" nails to lock the trims into place.



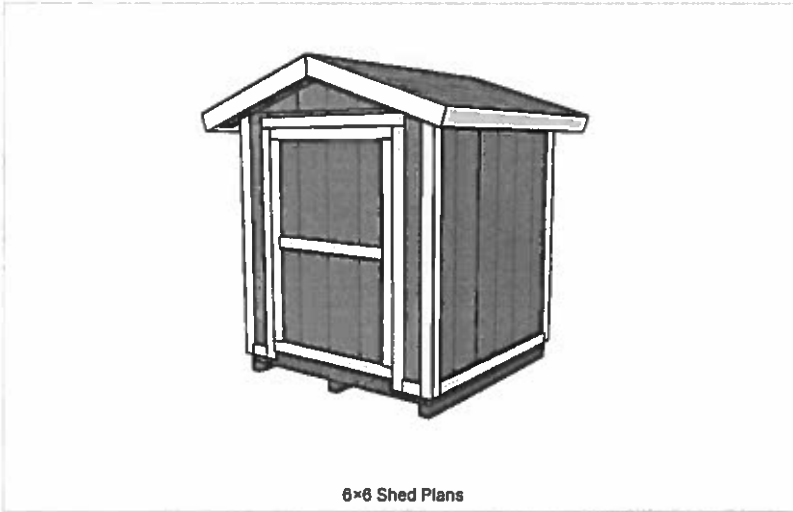
Fit the 1x4 trims to the front of the garden shed. As you can easily notice in the diagram, you need to attach the trims around the door opening, as well.



Build the door panel from T1-11 siding and the trims from 2x4 lumber. Use 2" screws to lock the panels to the trims. Add glue to the joints and align the edges flush.



Fit the door to the opening and then lock it to the jambs with hinges. Install a latch so you can close the door safely.



I have lots of other shed projects on the site so I recommend you to browse through all alternatives before starting the building project. See all my shed projects [HERE](#). Moreover, check out [PART 1](#) of the shed, so you learn how to build the frame of the shed.

This woodworking project was about [6x6 garden shed roof plans free](#). If you want to see more outdoor plans, check out the rest of our step by step projects and follow the instructions to obtain a professional result.

[<< Previous](#)

POSTED IN » [Shed](#)





GET PLANS TO YOUR EMAIL.

EMAIL ADDRESS

you@domain.com

FIRST NAME

Your Name

SIGN UP

WANT MORE IDEAS?



Kids



Garden



Animals



Planter



Car



Indoor



Furniture



Shed

LEAVE YOUR COMMENT

Name (required)

Email (required)

Website

Comment

POST COMMENT