

INTRODUCED: January 10, 2022

AN ORDINANCE No. 2022-019

To authorize the special use of the property known as 729 St. Christopher’s Road for the purpose of athletic fields illuminated by lighting structures in excess of 35 feet in height, upon certain terms and conditions.

Patron – Mayor Stoney (By Request)

Approved as to form and legality
by the City Attorney

PUBLIC HEARING: FEB 14 2022 AT 6 P.M.

WHEREAS, the owner of the property known as 729 St. Christopher’s Road, which is situated in a R-4 Single-Family Residential District, desires to use such property for the purpose of as athletic fields illuminated by lighting structures in excess of 35 feet in height, which use, among other things, is not currently allowed by section 30-408.7 of the Code of the City of Richmond (2020), as amended; and

WHEREAS, in accordance with section 17.11 of the Charter of the City of Richmond (2020), as amended, it has been made to appear that, if granted subject to the terms and conditions set forth in this ordinance, the special use granted by this ordinance will not be detrimental to the safety, health, morals and general welfare of the community involved, will not tend to create

AYES: 9 NOES: 0 ABSTAIN: _____

ADOPTED: FEB 14 2022 REJECTED: _____ STRICKEN: _____

congestion in streets, roads, alleys and other public ways and places in the area involved, will not create hazards from fire, panic or other dangers, will not tend to overcrowding of land and cause an undue concentration of population, will not adversely affect or interfere with public or private schools, parks, playgrounds, water supplies, sewage disposal, transportation or other public requirements, conveniences and improvements, and will not interfere with adequate light and air; and

WHEREAS, (i) the City Planning Commission has conducted a public hearing to investigate the circumstances and conditions upon which the Council is empowered to authorize such use, (ii) the City Planning Commission has reported to the Council the results of such public hearing and investigation and its recommendations with respect thereto, and (iii) the Council has conducted a public hearing on this ordinance at which the person in interest and all other persons have had an opportunity to be heard;

NOW, THEREFORE,

THE CITY OF RICHMOND HEREBY ORDAINS:

§ 1. **Finding.** Pursuant to section 30-1050.1 of the Code of the City of Richmond (2020), as amended, the Council hereby finds that the special use set forth in and subject to the terms and conditions of this ordinance will not (i) be detrimental to the safety, health, morals and general welfare of the community involved, (ii) tend to create congestion in streets, roads, alleys and other public ways and places in the area involved, (iii) create hazards from fire, panic or other dangers, (iv) tend to overcrowding of land and cause an undue concentration of population, (v) adversely affect or interfere with public or private schools, parks, playgrounds, water supplies, sewage disposal, transportation or other public requirements, conveniences and improvements, or (vi) interfere with adequate light and air.

§ 2. **Grant of Special Use Permit.**

(a) Subject to the terms and conditions set forth in this ordinance, the property known as 729 St. Christopher's Road and identified as Tax Parcel No. W021-0208/011B in the 2022 records of the City Assessor, being more particularly shown on a survey entitled "Existing Conditions, St. Christopher's School New Athletic Center, Richmond, Virginia," prepared by Draper Aden Associates, dated September 19, 2001, and last revised March 1, 2005, a copy of which is attached to and made a part of this ordinance, hereinafter referred to as "the Property," is hereby permitted to be used for the purpose of athletic fields illuminated by lighting structures in excess of 35 feet in height, hereinafter referred to as "the Special Use," substantially as shown on the plans entitled "City of Richmond, Saint Christophers School Football, Richmond, VA," prepared by Musco Lighting, and dated November 16, 2021; "Datasheet: TLC-LED-1500 Luminaire and Driver," "Datasheet: TLC-LED-600 Luminaire and Driver," and "Datasheet: Light-Structure System," prepared by Musco Lighting, and undated; and "Pole / Fixture Summary," prepared by an unknown preparer, and undated, and hereinafter referred to, collectively, as "the Plans," copies of which are attached to and made a part of this ordinance.

(b) The adoption of this ordinance shall constitute the issuance of a special use permit for the Property. The special use permit shall inure to the benefit of the owner or owners of the fee simple title to the Property as of the date on which this ordinance is adopted and their successors in fee simple title, all of which are hereinafter referred to as "the Owner." The conditions contained in this ordinance shall be binding on the Owner.

§ 3. **Special Terms and Conditions.** This special use permit is conditioned on the following special terms and conditions:

(a) The Special Use of the Property shall be as athletic fields illuminated by lighting structures in excess of 35 feet in height, substantially as shown on the Plans.

(b) The Owner shall not operate the Special Use past 8:00 p.m., except in the case of interscholastic sports competitions.

(c) The Owner shall not operate the Special Use past 8:00 p.m. for more than 15 interscholastic sports competitions per calendar year and no more than five such competitions may be football competitions.

(d) No football competition involving the Special Use shall begin later than 7:00 p.m.

(e) The Owner shall post on the calendar on the St. Christopher's School website the varsity fall athletics schedule by June 15 and the varsity spring athletics schedule by January 15 each year.

(f) All building materials, elevations, and site improvements, including landscaping, shall be substantially as shown on the Plans.

(g) Wireless communications equipment may be co-located on the lighting structures, subject to the applicable provisions of the Code of the City of Richmond (2020), as amended.

(h) All ground-level mechanical equipment pertaining to the Special Use and not affixed to the lighting structures shall be located or screened so as not to be visible from any public right-of-way.

§ 4. **Supplemental Terms and Conditions.** This special use permit is conditioned on the following supplemental terms and conditions:

(a) All required final grading and drainage plans, together with all easements made necessary by such plans, must be approved by the Director of Public Utilities prior to the issuance of the building permit.

(b) Storm or surface water shall not be allowed to accumulate on the land. The Owner, at its sole cost and expense, shall provide and maintain at all times adequate facilities for the drainage of storm or surface water from the Property so as not to adversely affect or damage any other property or public streets and the use thereof.

(c) Facilities for the collection of refuse shall be provided in accordance with the requirements of the Director of Public Works. Such facilities shall be located or screened so as not to be visible from adjacent properties and public streets.

(d) Any encroachments existing, proposed on the Plans or contemplated in the future shall require separate authorization and shall be subject to the applicable provisions of the Code of the City of Richmond (2020), as amended, and all future amendments to such laws.

(e) In all other respects, the use of the Property shall be in accordance with the applicable underlying zoning regulations.

§ 5. **General Terms and Conditions.** This special use permit is conditioned on the following general terms and conditions:

(a) No permit implementing this special use permit shall be approved until satisfactory evidence has been presented to the Zoning Administrator that any delinquent real estate taxes applicable to the Property have been paid.

(b) The Owner shall be bound by, shall observe and shall comply with all other laws, ordinances, rules and regulations applicable to the Property, except as otherwise expressly provided in this ordinance.

(c) Words and phrases used in this ordinance shall be interpreted to have the meanings ascribed to them by section 30-1220 of the Code of the City of Richmond (2020), as amended, unless the context clearly indicates that a different meaning is intended.

(d) Notwithstanding any other provision of law, this special use permit is being approved due, in part, to the mitigating effects of each and every condition attached hereto; consequently, if any portion of this ordinance is determined to be invalid for any reason by a final, non-appealable order of any Virginia or federal court of competent jurisdiction, the invalidity shall cause the entire ordinance to be void and of no further effect from the effective date of such order.

(e) The privileges granted by this ordinance may be revoked pursuant to the provisions of sections 30-1050.7 through 30-1050.11 of the Code of the City of Richmond (2020), as amended, and all future amendments to such laws. Failure to comply with the terms and conditions of this ordinance shall constitute a violation of section 30-1080 of the Code of the City of Richmond (2020), as amended, and all future amendments to such law, or any other applicable laws or regulations.

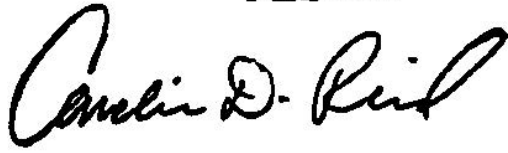
(f) When the privileges granted by this ordinance terminate and the special use permit granted hereby becomes null and void, whether as a result of the Owner relinquishing this special use permit in a writing addressed to the Director of Planning and Development Review or otherwise, use of the Property shall be governed thereafter by the zoning regulations prescribed for the district in which the Property is then situated.

§ 6. **Implementation.** The Commissioner of Buildings is authorized to issue a building permit substantially in accordance with the Plans for the Special Use subject to the terms and conditions set forth in this ordinance. An application for the building permit shall be made within 730 calendar days following the date on which this ordinance becomes effective. If either the application for the building permit is not made within the time period stated in the previous sentence or the building permit terminates under any provision of the Virginia Statewide Building

Code, this ordinance and the special use permit granted hereby shall terminate and become null and void.

§ 7. **Effective Date.** This ordinance shall be in force and effect upon adoption.

**A TRUE COPY:
TESTE:**

A handwritten signature in black ink, appearing to read "Carolin D. Reed". The signature is written in a cursive, flowing style.

City Clerk



City of Richmond

900 East Broad Street
2nd Floor of City Hall
Richmond, VA 23219
www.rva.gov

Item Request File Number: PRE.2021.966

O & R Request

DATE: December 13, 2021

EDITION: 1

TO: The Honorable Members of City Council

THROUGH: The Honorable Levar M. Stoney, Mayor (Patron: Mayor, by Request)
(This in no way reflects a recommendation on behalf of the Mayor.)

THROUGH: J.E. Lincoln Saunders, Chief Administrative Officer

THROUGH: Sharon L. Ebert, Deputy Chief Administrative Officer for Economic Development and Planning

FROM: Kevin J. Vonck, Director, Department of Planning and Development Review

RE: To authorize the special use of the property known as 729 St. Christopher's Road for the purpose of installing field lighting structures in excess of 35 feet in height, upon certain terms and conditions

ORD. OR RES. No. ____

PURPOSE: To authorize the special use of the property known as 729 St. Christopher's Road for the purpose of installing field lighting structures in excess of 35 feet in height, upon certain terms and conditions.

REASON: The subject property is located in the R-4 Single-Family Residential zoning district and stadium lighting is a permitted use. However, Section 30-408.7 of the zoning ordinance states that no building or structure shall exceed 35 feet in height. The proposed lighting plans call for lighting structures that exceed 35 feet in height. Therefore a special use permit is necessary for this request.

RECOMMENDATION: In accordance with the requirements of the City Charter and the Zoning Ordinance, the City Planning Commission will review this request and make a recommendation to City Council. This item will be scheduled for consideration by the Commission at its February 7, 2022 meeting.

BACKGROUND: The 27 acre subject property is located in the Three Chopt neighborhood and is bounded by St. Christopher's Road to the west; Wesley and Ferguson Roads to the south; Maple Street to the east; and Henri Street to the north.

The subject property is improved with multiple buildings and athletic fields and other uses accessory to a private school. The lighting installations are proposed for the football, soccer and baseball fields.

The Richmond 300 Master Plan recommends Institutional Uses for the Property. Primary uses include institutional, cultural, government and open space.

Properties in the surrounding area generally contain single-family homes.

FISCAL IMPACT / COST: The Department of Planning and Development Review does not anticipate any impact to the City's budget for this or future fiscal years.

FISCAL IMPLICATIONS: Staff time for processing the request; preparation of draft ordinance; and publishing, mailing and posting of public notices.

BUDGET AMENDMENT NECESSARY: No

REVENUE TO CITY: \$1,800 application fee

DESIRED EFFECTIVE DATE: Upon adoption

REQUESTED INTRODUCTION DATE: January 10, 2022

CITY COUNCIL PUBLIC HEARING DATE: February 14, 2022

REQUESTED AGENDA: Consent

RECOMMENDED COUNCIL COMMITTEE: None

CONSIDERATION BY OTHER GOVERNMENTAL ENTITIES: City Planning Commission
February 7, 2022

AFFECTED AGENCIES: Office of Chief Administration Officer
Law Department (for review of draft ordinance)

RELATIONSHIP TO EXISTING ORD. OR RES.: None

REQUIRED CHANGES TO WORK PROGRAM(S): None

ATTACHMENTS: Draft Ordinance, Application Form, Applicant's Report, Plans, Survey

STAFF: David Watson, Senior Planner, Land Use Administration, 804-646-1036



Application for **SPECIAL USE PERMIT**

Department of Planning and Development Review
Land Use Administration Division
900 E. Broad Street, Room 511
Richmond, Virginia 23219
(804) 646-6304
http : www.richmond.vov.com

Application is hereby submitted for: (check one)

- special use permit, new**
- special use permit, plan amendment**
- special use permit, text only amendment**

Project Name/Location

Property Address: 729 St. Christopher's Lane Date: _____
Tax Map #: W0210208011 Fee: _____
Total area of affected site in acres: 0.039

(See **page 6** for fee schedule, please make check payable to the "City of Richmond")

Zoning

Current Zoning: R-4

Existing Use: St. Christopher's School

Proposed Use

(Please include a detailed description of the proposed use in the required applicant's report)
outdoor field lights

Existing Use: St. Christopher's School

Is this property subject to any previous land use cases?

Yes No If Yes, please list the Ordinance Number: _____

Applicant/Contact Person: Jennifer Mullen, Esq.

Company: Roth Jackson Gibbons Condlin PLC
Mailing Address: 1519 Summit Avenue, Suite 102
City: Richmond State: VA Zip Code: 23230
Telephone: (804) 977-3374 Fax: ()
Email: jmullen@rothjackson.com

Property Owner: Church Schools in the Diocese of Virginia, Inc. d/b/a St. Christopher's School

If Business Entity, name and title of authorized signee: Jack H. "Chip" Broadway, Jr.

(The person or persons executing or attesting the execution of this Application on behalf of the Company certifies that he or she has or have been duly authorized and empowered to so execute or attest.)

Mailing Address: St. Christopher's School C/o David Reynolds, 711 St. Christopher's Lane
City: Richmond State: VA Zip Code: 23226
Telephone: (804) 282-3185 Fax: ()
Email: reynoldsd@stcva.org

Property Owner Signature: Jack H. Broadway Jr

The names, addresses, telephone numbers and signatures of all owners of the property are required. Please attach additional sheets as needed. If a legal representative signs for a property owner, please attach an executed power of attorney. **Faxed or photocopied signatures will not be accepted.**

NOTE: Please attach the required plans, checklist, and a check for the application fee (see Filing Procedures for special use permits)

September 23, 2021

Mr. Matthew Ebinger
Planning and Development Review
900 East Broad Street, Room 511
Richmond, VA 23219

Jennifer D. Mullen
Richmond Office
(804)977-3374
jmullen@rothjackson.com

Re: Special Use Permit Amendment Application – 729 St. Christopher's Road

Dear Mr. Ebinger:

This letter shall serve as the applicant's report accompanying a request for special use permit (the "SUP") for the property located at 729 St. Christopher's Road (the "Property") to permit field lighting in excess of 35 feet. The Property is one of multiple parcels on approximately 42 acres used as a private elementary and secondary school known as St. Christopher's School. The Property is approximately 27 acres and is improved with multiple buildings, playing fields and other facilities accessory to St. Christopher's School. The SUP is requested to permit a portion of the Property identified on the attached campus map as "Knowles Field", "Cal Boyd Track", "Jacobs Baseball Field" and "Massey Soccer Field" to be further improved with field lighting in the locations and at the heights more particularly shown on the attached plans. Knowles Field supports football, lacrosse, soccer and track and Jacobs/Massey Field supports baseball and soccer. The field lighting will support both competition and practice; providing weather flexibility, reducing the number of competitions on Saturdays, improving the school community experience and increasing academic flexibility in the Middle and Upper Schools. The applicant proposes to limit use of the lights as follows:

- Use by the teams of St. Christopher's School and St. Catherine's School (on a limited basis);
- Use to 15 times per year for evening sports competitions, including a maximum of 5 football competitions, to begin no later than 7:00 p.m. (with the expected end time by 10:00 p.m.);
- Use for evening sports practices to be completed by 8:00 p.m.;
- Posting on the calendar on the St. Christopher's School website the varsity fall schedule by June 15 and the varsity spring schedule by January 15 each year; and
- Permitting wireless facilities on the light poles which serve St. Christopher's School.

Richmond 300 Plan Designation

The Richmond 300 Plan recommends Institutional Use for the Property. This land use category is described in the Richmond 300 Plan as "public and quasi-public entities, such as local, state, and federal government, hospitals, universities, schools, and religious institutions." The Property is consistent with this designation with several buildings owned by the Church Schools in the Diocese of Virginia Inc. connected in a campus environment. This engaging campus is also open to the community, which is a neighborhood asset. The SUP request will further enhance campus on the identified sports fields and St. Christopher's School overall.

{01296438:v1}

RICHMOND

1519 Summit Avenue, Suite 102, Richmond, VA 23230
P: 804-441-8440 F: 804-441-8438

TYSONS CORNER

8200 Greensboro Drive, Suite 820, McLean, VA 22102
P: 703-485-3535 F: 703-485-3525

Findings of Fact

The following are factors included in Section 17.11 of the Charter and Section 30-1050.1 of the Zoning Ordinance relative to the approval of special use permits by City Council. The proposed amendment to the SUP will not:

- **Be detrimental to the safety, health, morals and general welfare of the community involved.**
The proposed SUP positively impacts the safety, health, morals and general welfare of the community involved. The lights will provide additional opportunities to use the outdoor fields for competition, practice and recreation. The lights will provide for safe ingress and egress when in use.
- **Tend to create congestion in streets, roads, alleys and other public ways and places in the area involved.**
The SUP will not create congestion on streets, roads, alleys or any other public right of way. The use of the lights may increase the number of spectators attending the competitions when held the 15 times per year. These competitions are not new competitions; rather, the competitions will be moved from another day of the week, most likely a Saturday competition. The applicant proposes to use a third party traffic management company to assist with competitions that are expected to draw a large number of spectators. These are expected to be football competitions on a Friday night which would be limited to 5 per year.
- **Create hazards from fire, panic or other dangers.**
The SUP for the use of lights on sports fields will not create hazards from fire, panic or other dangers.
- **Tend to overcrowding of land and cause an undue concentration of population.**
The proposed SUP will not tend to overcrowd the land or create an undue concentration of population. The addition of lights allows for additional use of outdoor playing fields and track facilities.
- **Adversely affect or interfere with public or private schools, parks, playgrounds, water supplies, sewage disposal, transportation or other public requirements, conveniences and improvements.**
The proposed SUP would not adversely affect the above referenced City services. To the contrary, the proposal would provide positive benefits to the school and community for the additional use of outdoor fields and track facilities.
- **Interfere with adequate light and air.**
The light and air available to the subject and adjacent properties will not be adversely affected.

Thank you for your time and consideration of this request. Should you have any further questions about this request, please do not hesitate to contact me.

Sincerely,



Jennifer D. Mullen

Enclosures

{01296438;v1}

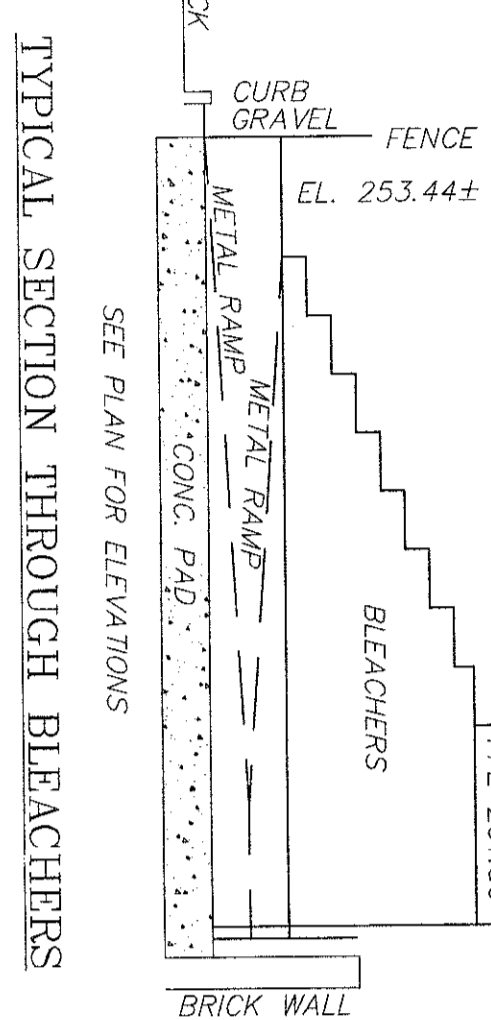
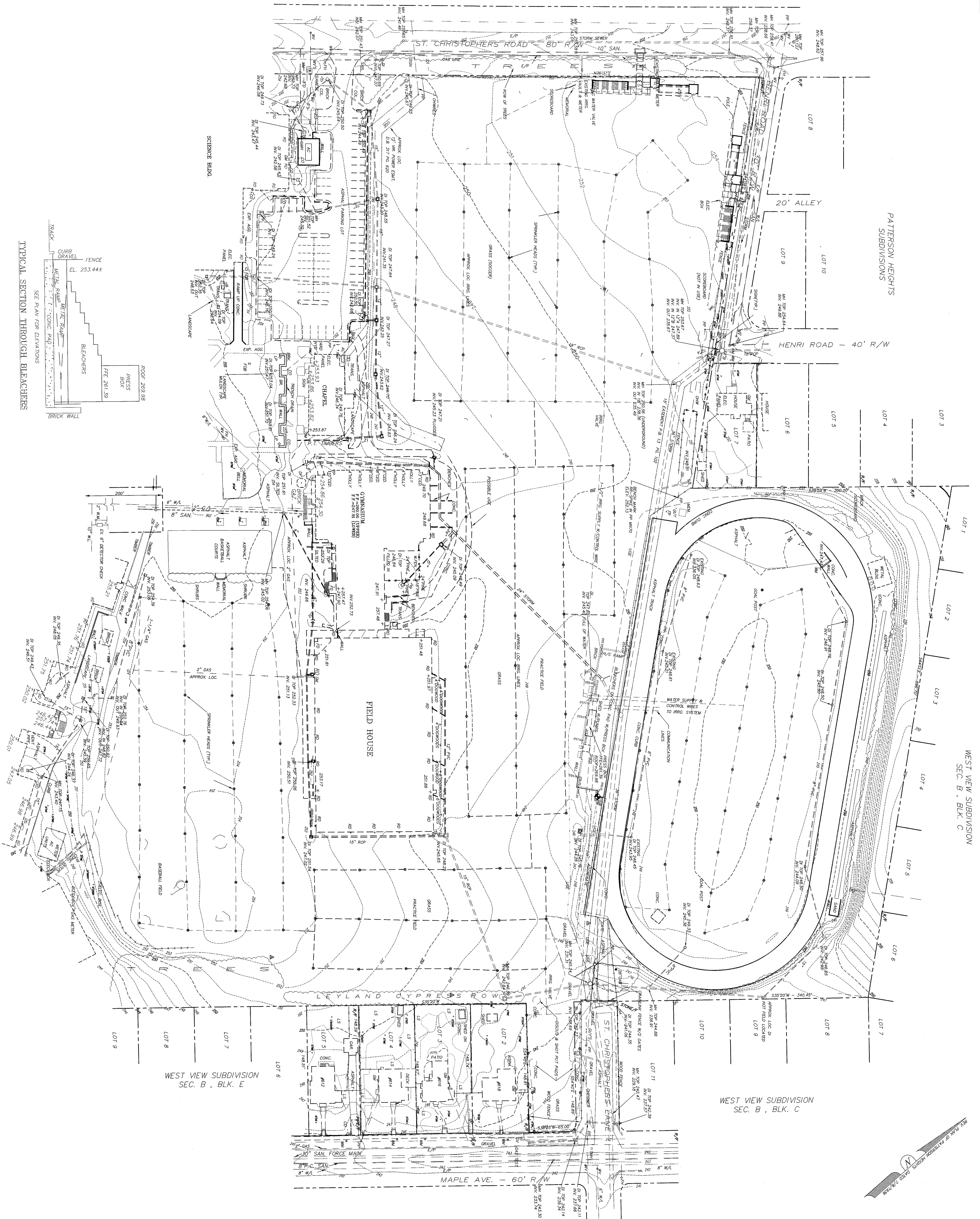


RICHMOND

1519 Summit Avenue, Suite 102, Richmond, VA 23230
P: 804-441-8440 F: 804-441-8438

TYSONS CORNER

8200 Greensboro Drive, Suite 820, McLean, VA 22102
P: 703-485-3535 F: 703-485-3525



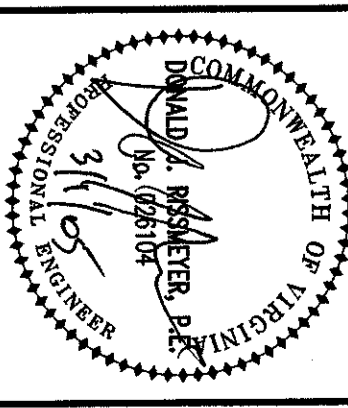
WEST VIEW SUBDIVISION
SEC. B, BLK. E

WEST VIEW SUBDIVISION
SEC. B, BLK. C

WEST VIEW SUBDIVISION
SEC. B, BLK. C

EXISTING CONDITIONS
ST. CHRISTOPHER'S SCHOOL NEW ATHLETIC CENTER
RICHMOND, VIRGINIA

Draper Aden Associates
Engineering • Surveying • Environmental Services
Richmond, VA
8588 Villa Park Drive
Richmond, VA 23228
804-264-2225 Fax: 804-264-8773
www.daa.com



REVISIONS

OCTOBER 17, 2001	POD SUBMITTAL
JANUARY 4, 2002	90% COMPLETE
FEBRUARY 1, 2002	BID DOCUMENTS
APRIL 16, 2002	PHASE I REVISION SET

MARCH 1, 2005
PHASE I REVISION SET

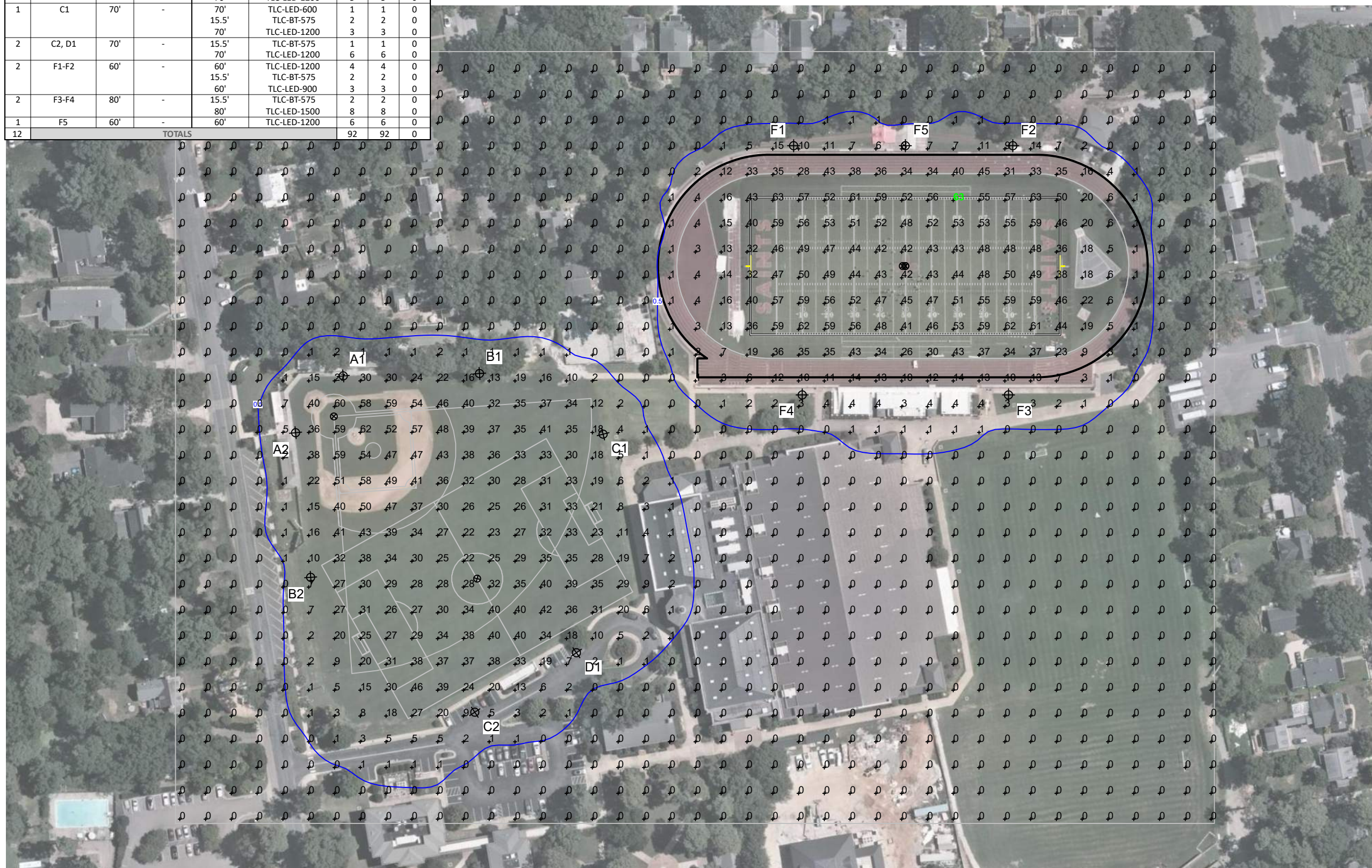
DESIGNED BY: WICK II
DRAWN BY: SEK
CHECKED BY: DHR
SCALE: 1" = 40'
DATE: SEPTEMBER 19, 2001
PROJECT NUMBER: R01322-08

C2
2 OF 9

EQUIPMENT LIST FOR AREAS SHOWN									
Pole			Luminaires						
QTY	LOCATION	SIZE	GRADE ELEVATION	MOUNTING HEIGHT	LUMINAIRE TYPE	QTY / POLE	THIS GRID	OTHER GRIDS	
2	A1-A2	60'	-	60'	TLC-LED-900	4	4	0	
				15.5'	TLC-BT-575	1	1	0	
				60'	TLC-LED-600	1	1	0	
2	B1-B2	70'	-	70'	TLC-LED-900	2	2	0	
				15.5'	TLC-BT-575	1	1	0	
				70'	TLC-LED-1200	5	5	0	
1	C1	70'	-	70'	TLC-LED-600	1	1	0	
				15.5'	TLC-BT-575	2	2	0	
				70'	TLC-LED-1200	3	3	0	
2	C2, D1	70'	-	15.5'	TLC-BT-575	1	1	0	
				70'	TLC-LED-1200	6	6	0	
				60'	TLC-LED-1200	4	4	0	
2	F1-F2	60'	-	15.5'	TLC-BT-575	2	2	0	
				60'	TLC-LED-900	3	3	0	
				15.5'	TLC-BT-575	2	2	0	
2	F3-F4	80'	-	15.5'	TLC-BT-575	2	2	0	
				80'	TLC-LED-1500	8	8	0	
				60'	TLC-LED-1200	6	6	0	
1	F5	60'	-	60'	TLC-LED-1200	6	6	0	
12	TOTALS					92	92	0	

GRID SUMMARY	
Name:	Blanket Grid
Spacing:	30.0' x 30.0'
Height:	3.0' above grade

ILLUMINATION SUMMARY	
MAINTAINED HORIZONTAL FOOTCANDLES	
Entire Grid	
Scan Average:	8.60
Maximum:	63.3
Minimum:	0.0
Avg / Min:	-
Max / Min:	-
UG (adjacent pts):	66.36
CU:	0.92
No. of Points:	1230
LUMINAIRE INFORMATION	
Applied Circuits:	A, B, C
No. of Luminaires:	92
Total Load:	95.47 kW

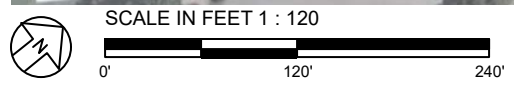


Guaranteed Performance: The ILLUMINATION described above is guaranteed per your Musco Warranty document and includes a 0.95 dirt depreciation factor.

Field Measurements: Individual field measurements may vary from computer-calculated predictions and should be taken in accordance with IESNA RP-6-15.

Electrical System Requirements: Refer to Amperage Draw Chart and/or the "Musco Control System Summary" for electrical sizing.

Installation Requirements: Results assume ± 3% nominal voltage at line side of the driver and structures located within 3 feet (1m) of design locations.



Pole location(s) ⊕ dimensions are relative to 0,0 reference point(s) ⊗



EQUIPMENT LIST FOR AREAS SHOWN									
Pole			Luminaires						
QTY	LOCATION	SIZE	GRADE ELEVATION	MOUNTING HEIGHT	LUMINAIRE TYPE	QTY / POLE	THIS GRID	OTHER GRIDS	
2	A1-A2	60'	-	60'	TLC-LED-900	4	4	0	
				15.5'	TLC-BT-575	1	1	0	
				60'	TLC-LED-600	1	1	0	
2	B1-B2	70'	-	70'	TLC-LED-900	2	2	0	
				15.5'	TLC-BT-575	1	1	0	
				70'	TLC-LED-1200	5	5	0	
1	C1	70'	-	70'	TLC-LED-600	1	1	0	
				15.5'	TLC-BT-575	2	2	0	
				70'	TLC-LED-1200	3	3	0	
2	C2, D1	70'	-	15.5'	TLC-BT-575	1	1	0	
				70'	TLC-LED-1200	6	6	0	
				60'	TLC-LED-1200	4	4	0	
2	F1-F2	60'	-	60'	TLC-LED-1200	4	4	0	
				15.5'	TLC-BT-575	2	2	0	
				60'	TLC-LED-900	3	3	0	
2	F3-F4	80'	-	15.5'	TLC-BT-575	2	2	0	
				80'	TLC-LED-1500	8	8	0	
				60'	TLC-LED-1200	6	6	0	
1	F5	60'	-	60'	TLC-LED-1200	6	6	0	
12	TOTALS					92	92	0	

GRID SUMMARY	
Name:	Property Line
Spacing:	40.0'
Height:	3.0' above grade

ILLUMINATION SUMMARY	
HORIZONTAL FOOTCANDLES	
Scan Average:	Entire Grid 0.3830
Maximum:	1.564
Minimum:	0.000
No. of Points:	56
LUMINAIRE INFORMATION	
Applied Circuits:	A, B, C
No. of Luminaires:	92
Total Load:	95.47 kW

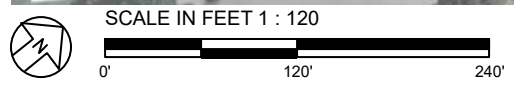


Guaranteed Performance: The ILLUMINATION described above is guaranteed per your Musco Warranty document.

Field Measurements: Individual field measurements may vary from computer-calculated predictions and should be taken in accordance with IESNA RP-6-15.

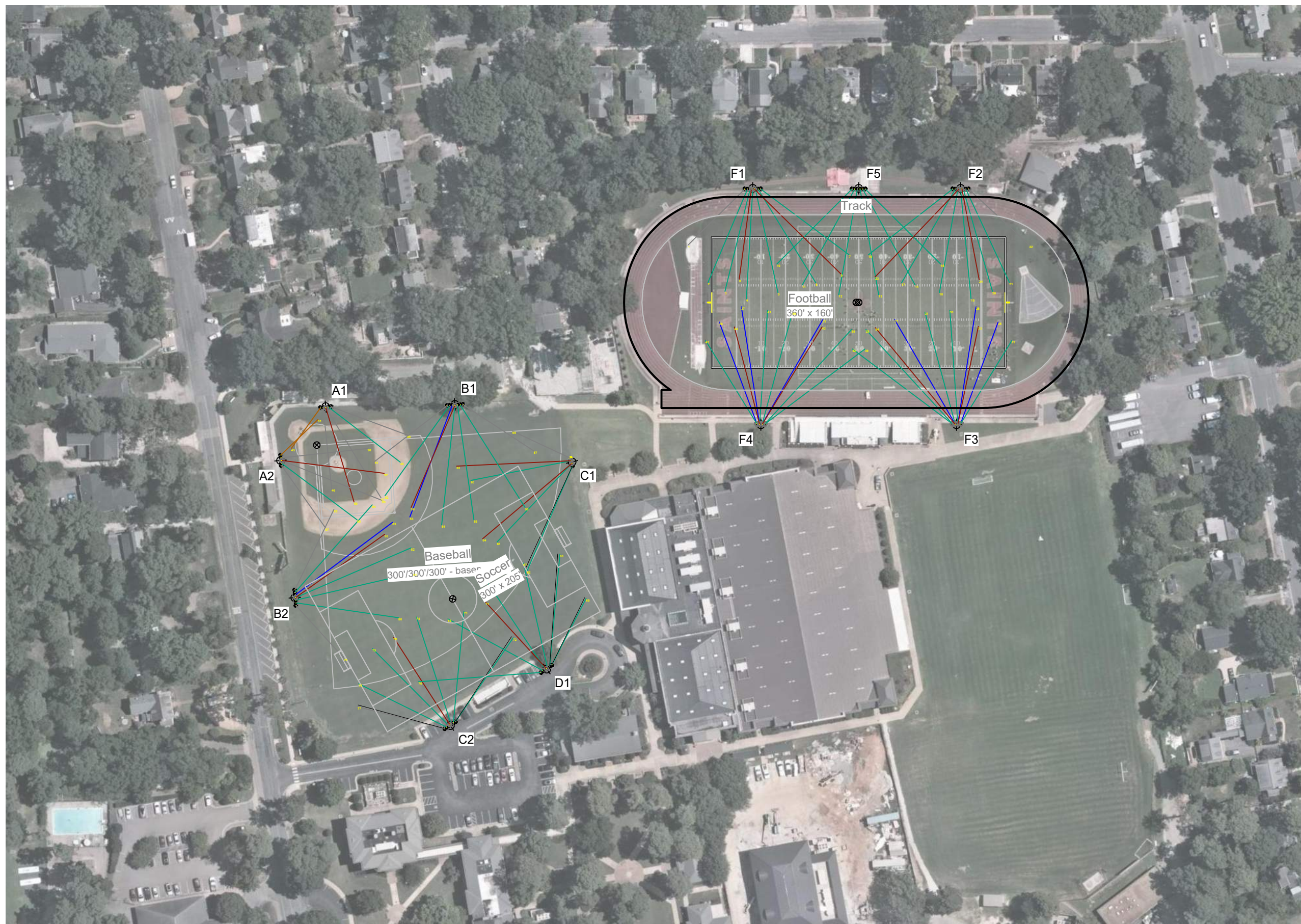
Electrical System Requirements: Refer to Amperage Draw Chart and/or the "Musco Control System Summary" for electrical sizing.

Installation Requirements: Results assume ± 3% nominal voltage at line side of the driver and structures located within 3 feet (1m) of design locations.



Pole location(s) ⊕ dimensions are relative to 0,0 reference point(s) ⊗





EQUIPMENT LAYOUT

INCLUDES:

- Baseball
- Football
- Soccer
- Track

Electrical System Requirements: Refer to Amperage Draw Chart and/or the "Musco Control System Summary" for electrical sizing.

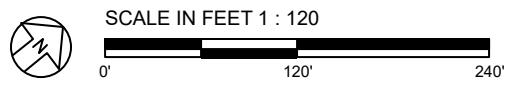
Installation Requirements: Results assume ± 3% nominal voltage at line side of the driver and structures located within 3 feet (1m) of design locations.

EQUIPMENT LIST FOR AREAS SHOWN

QTY	LOCATION	Pole		Luminaires		
		CLASS	GRADE ELEVATION	MOUNTING HEIGHT	LUMINAIRE TYPE	QTY / POLE
2	A1-A2	LSS60A	-	60'	TLC-LED-900	4
				15.5'	TLC-BT-575	1
				60'	TLC-LED-600	1
2	B1-B2	LSS70B	-	70'	TLC-LED-900	2
				15.5'	TLC-BT-575	1
				70'	TLC-LED-1200	5
1	C1	LSS70A	-	70'	TLC-LED-600	1
				15.5'	TLC-BT-575	2
				70'	TLC-LED-1200	3
2	C2, D1	LSS70B	-	15.5'	TLC-BT-575	1
				70'	TLC-LED-1200	6
2	F1-F2	LSS60B	-	60'	TLC-LED-1200	4
				15.5'	TLC-BT-575	2
				60'	TLC-LED-900	3
2	F3-F4	LSS80B	-	15.5'	TLC-BT-575	2
				80'	TLC-LED-1500	8
				60'	TLC-LED-1200	6
1	F5	LSS60B	-	60'	TLC-LED-1200	6
12	TOTALS					92

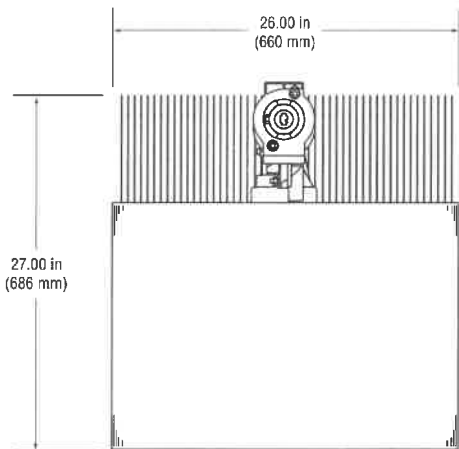
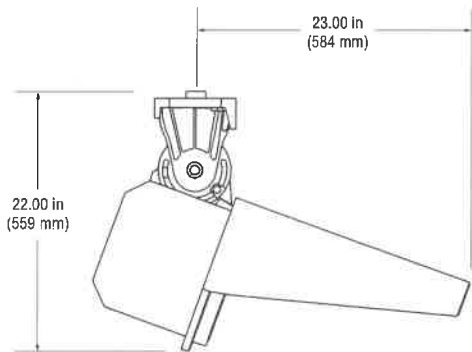
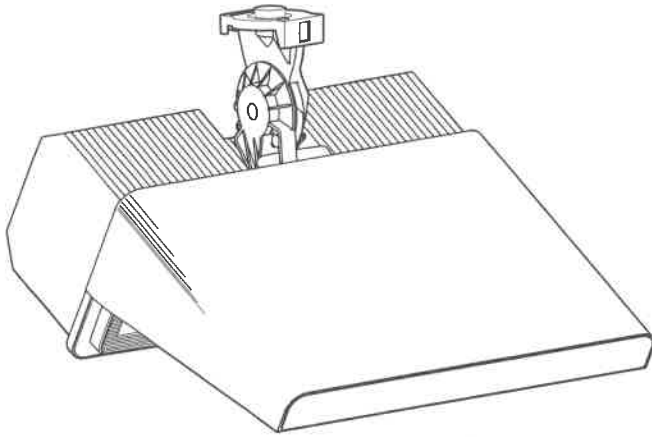
SINGLE LUMINAIRE AMPERAGE DRAW CHART

Ballast Specifications (.90 min power factor)	Line Amperage Per Luminaire (max draw)						
	208 (60)	220 (60)	240 (60)	277 (60)	347 (60)	380 (60)	480 (60)
TLC-LED-1200	7.0	6.6	6.1	5.2	4.2	4.0	3.0
TLC-LED-600	3.4	3.2	3.0	2.6	2.0	1.9	1.5
TLC-LED-900	5.3	5.0	4.6	4.0	3.2	2.9	2.3
TLC-LED-1500	8.5	8.1	7.4	6.4	5.1	4.7	3.7
TLC-BT-575	3.4	3.2	2.9	2.5	2.0	1.8	1.5



Pole location(s) ⊕ dimensions are relative to 0,0 reference point(s) ⊗





Luminaire Data

Weight (luminaire)	67 lb (30 kg)
UL listing number	E338094
UL listed for USA / Canada	UL1598 CSA-C22.2 No.250.0
CE Declaration	LVD, EMC, RoHS
Ingress protection, luminaire	IP65
Impact rating	IK07
Material and finish	Aluminum, powder-coat painted
Wind speed rating (aiming only)	150 mi/h (67 m/s)
UL, IEC ambient temperature rating, luminaire	50°C (122°F)

Photometric Characteristics

Projected lumen maintenance per IES TM-21-11

L90 (20k)	>120,000 h
L80 (20k)	>120,000 h
L70 (20k)	>120,000 h
Lumens ¹	160,000
CIE correlated color temperature	5700 K
Color rendering index (CRI)	75 typ, 70 min
LED binning tolerance	7-step MacAdam Ellipse

Footnotes:

1) Incorporates appropriate dirt depreciation factor for life of luminaire.

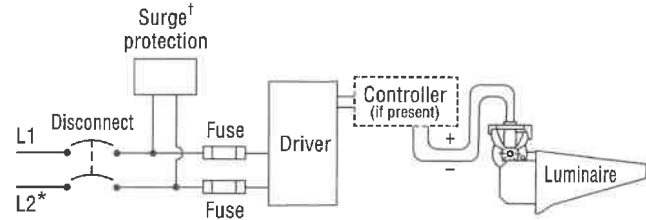
Datasheet: TLC-LED-1500 Luminaire and Driver

Driver Data

Electrical Data

Rated wattage ¹	
Per driver	1430 W
Per luminaire	1430 W
Number of luminaires per driver	1
Starting (inrush) current	<40 A, 256 μ s
Fuse rating	15 A
UL, IEC ambient temperature rating, electrical components enclosure	50°C (122°F)
Ingress protection, electrical components enclosure	IP54
Efficiency	95%
Dimming mode	optional
Range, energy consumption	12 – 100%
Range, light output	17 – 100%
Flicker	<2%
Total harmonic distortion (THD) at full output	<20%

Typical Wiring



* If L2 (com) is neutral then not switched or fused.
 † Not present if indoor installation.

	200 Vac 50/60 Hz	208 Vac 60 Hz	220 Vac 50/60 Hz	230 Vac 50 Hz	240 Vac 50/60 Hz	277 Vac 60 Hz	347 Vac 60 Hz	380 Vac 50/60 Hz	400 Vac 50 Hz	415 Vac 50 Hz	480 Vac 60 Hz
Max operating current per luminaire²	8.86 A	8.52 A	8.06 A	7.71 A	7.39 A	6.40 A	5.11 A	4.67 A	4.43 A	4.27 A	3.70 A

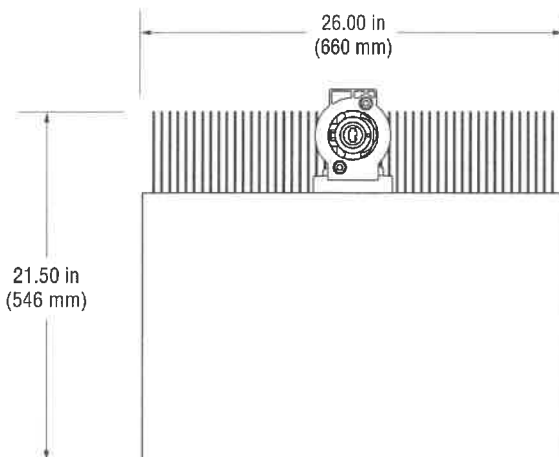
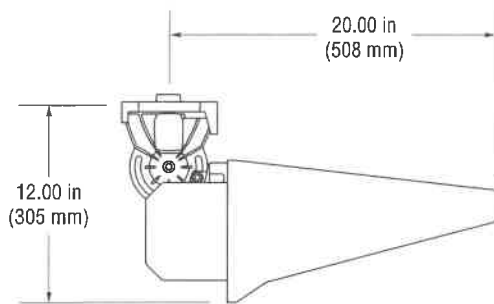
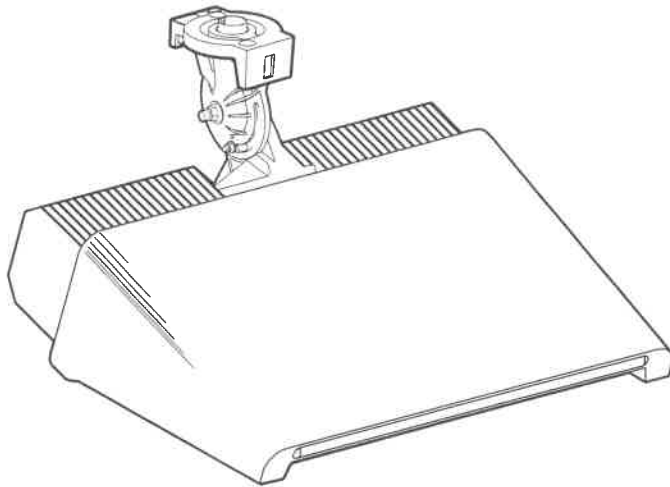
Footnotes:

- 1) Rated wattage is the power consumption, including driver efficiency losses, at stabilized operation in 25°C ambient temperature environment.
- 2) Operating current includes allowance for 0.90 minimum power factor, operating temperature, and LED light source manufacturing tolerances.

Notes

1. Use thermal magnetic HID-rated or D-curve circuit breakers.
2. See *Musco Control System Summary* for circuit information.





Luminaire Data

Weight (luminaire)	40 lb (18 kg)
UL listing number	E338094
UL listed for USA / Canada	UL1598 CSA-C22.2 No.250.0
CE Declaration	LVD, EMC, RoHS
Ingress protection, luminaire	IP65
Impact rating	IK07
Material and finish	Aluminum, powder-coat painted
Wind speed rating (aiming only)	150 mi/h (67 m/s)
UL, IEC ambient temperature rating, luminaire	50°C (122°F)

Photometric Characteristics

Projected lumen maintenance per IES TM-21-11

L90 (20k)	>120,000 h
L80 (20k)	>120,000 h
L70 (20k)	>120,000 h
Lumens ¹	65,600
CIE correlated color temperature	5700 K
Color rendering index (CRI)	75 typ, 70 min
LED binning tolerance	7-step MacAdam Ellipse

Footnotes:

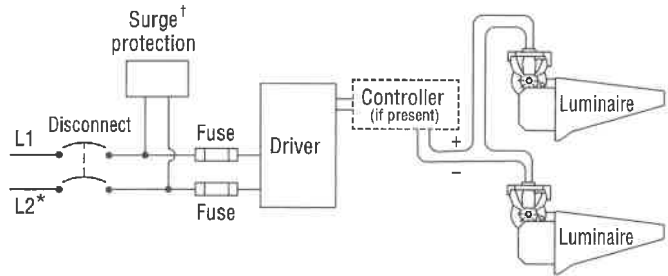
1) Incorporates appropriate dirt depreciation factor for life of luminaire.

Driver Data

Electrical Data

Rated wattage ¹	
Per driver	1160 W
Per luminaire	580 W
Number of luminaires per driver	2
Starting (inrush) current	<40 A, 256 μ s
Fuse rating	15 A
UL, IEC ambient temperature rating, electrical components enclosure	50°C (122°F)
Ingress protection, electrical components enclosure	IP54
Efficiency	95%
Dimming mode	optional
Range, energy consumption	20 – 100%
Range, light output	25 – 100%
Flicker	<2%
Total harmonic distortion (THD) at full output	<20%

Typical Wiring



* If L2 (com) is neutral then not switched or fused.

† Not present if indoor installation.

	200 Vac 50/60 Hz	208 Vac 60 Hz	220 Vac 50/60 Hz	230 Vac 50 Hz	240 Vac 50/60 Hz	277 Vac 60 Hz	347 Vac 60 Hz	380 Vac 50/60 Hz	400 Vac 50 Hz	415 Vac 50 Hz	480 Vac 60 Hz
Max operating current per luminaire²	3.54 A	3.40 A	3.22 A	3.08 A	2.95 A	2.56 A	2.04 A	1.86 A	1.77 A	1.71 A	1.48 A

Footnotes:

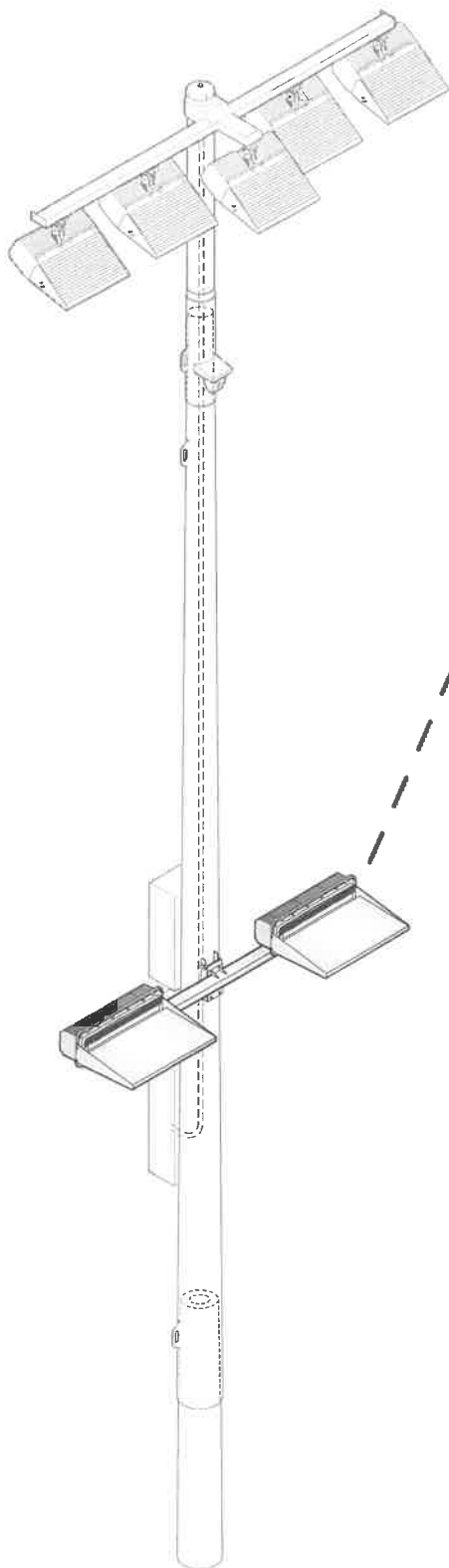
- 1) Rated wattage is the power consumption, including driver efficiency losses, at stabilized operation in 25°C ambient temperature environment.
- 2) Operating current includes allowance for 0.90 minimum power factor, operating temperature, and LED light source manufacturing tolerances.

Notes

1. Use thermal magnetic HID-rated or D-curve circuit breakers.
2. See *Musco Control System Summary* for circuit information.



Luminaire and Driver Components – TLC-BT-575



Luminaire Data

Weight (luminaire)	34 lb (15 kg)
UL listing number	E338094
UL Listed for USA / Canada	UL1598 CSA-C22.2 No.250.0
Ingress protection, luminaire	IP65
Material and finish	Aluminum, powder-coat painted
Wind speed rating (aiming only)	150 mi/h (67 m/s)
UL, IEC ambient temperature rating, luminaire	50°C (122°F)

Photometric Characteristics

Projected lumen maintenance per IES TM-21-11	
L90 (13.5k)	>81,000 h
L80 (13.5k)	>81,000 h
L70 (13.5k)	>81,000 h
CIE correlated color temperature	5700 K
Color rendering index (CRI)	75 typ, 70 min
Lumens ¹	52,000

Footnotes:

1) Incorporates appropriate dirt depreciation factor for life of luminaire.

All components from foundation to poletop are designed to work together in Light-Structure System™ to ensure reliable, trouble-free operation.

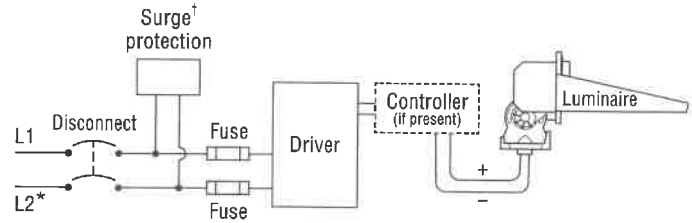
Luminaire and Driver Components – TLC-BT-575

Driver Data

Electrical Data

Rated wattage ¹	
Per driver	575 W
Per luminaire	575 W
Number of luminaires per driver	1
Starting (inrush) current	<40 A, 256 μs
Fuse rating	15 A
UL, IEC ambient temperature rating, electrical components enclosure	50°C (122°F)
Ingress protection, electrical components enclosure	IP54
Efficiency	95%

Typical Wiring



* If L2 (com) is neutral then not switched or fused.

† Not present if indoor installation.

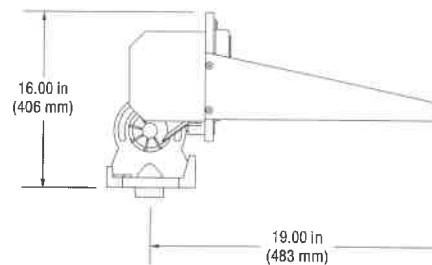
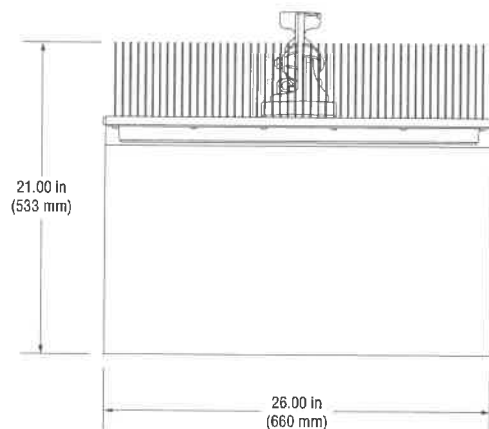
	200 Vac 50/60 Hz	208 Vac 60 Hz	220 Vac 50/60 Hz	230 Vac 50 Hz	240 Vac 50/60 Hz	277 Vac 60 Hz	347 Vac 60 Hz	380 Vac 50/60 Hz	400 Vac 50 Hz	415 Vac 50 Hz	480 Vac 60 Hz
Max operating current² per luminaire	3.48 A	3.35 A	3.16 A	3.03 A	2.90 A	2.51 A	2.01 A	1.83 A	1.74 A	1.68 A	1.45 A

Footnotes:

- 1) Rated wattage is the power consumption, including driver efficiency losses, at stabilized operation in 25°C ambient temperature environment.
- 2) Operating current includes allowance for 0.90 minimum power factor, operating temperature, and LED light source manufacturing tolerances.

Notes

1. Use thermal magnetic HID-rated or D-curve circuit breakers.
2. See Musco *Control System Summary* for circuit information.



Pole / Fixture Summary			
Pole ID	Pole Height	Mtg Height	Fixture Qty
A1-A2	60'	60'	1
		60'	4
		16'	1
B1-B2	70'	70'	5
		70'	2
		16'	1
C1	70'	70'	3
		70'	1
		16'	2
C2	70'	70'	6
		16'	1
D1	70'	70'	6
		16'	1
F1-F2	60'	60'	4
		60'	3
		16'	2
F3-F4	80'	80'	8
		16'	2
F5	60'	60'	6
12			92