



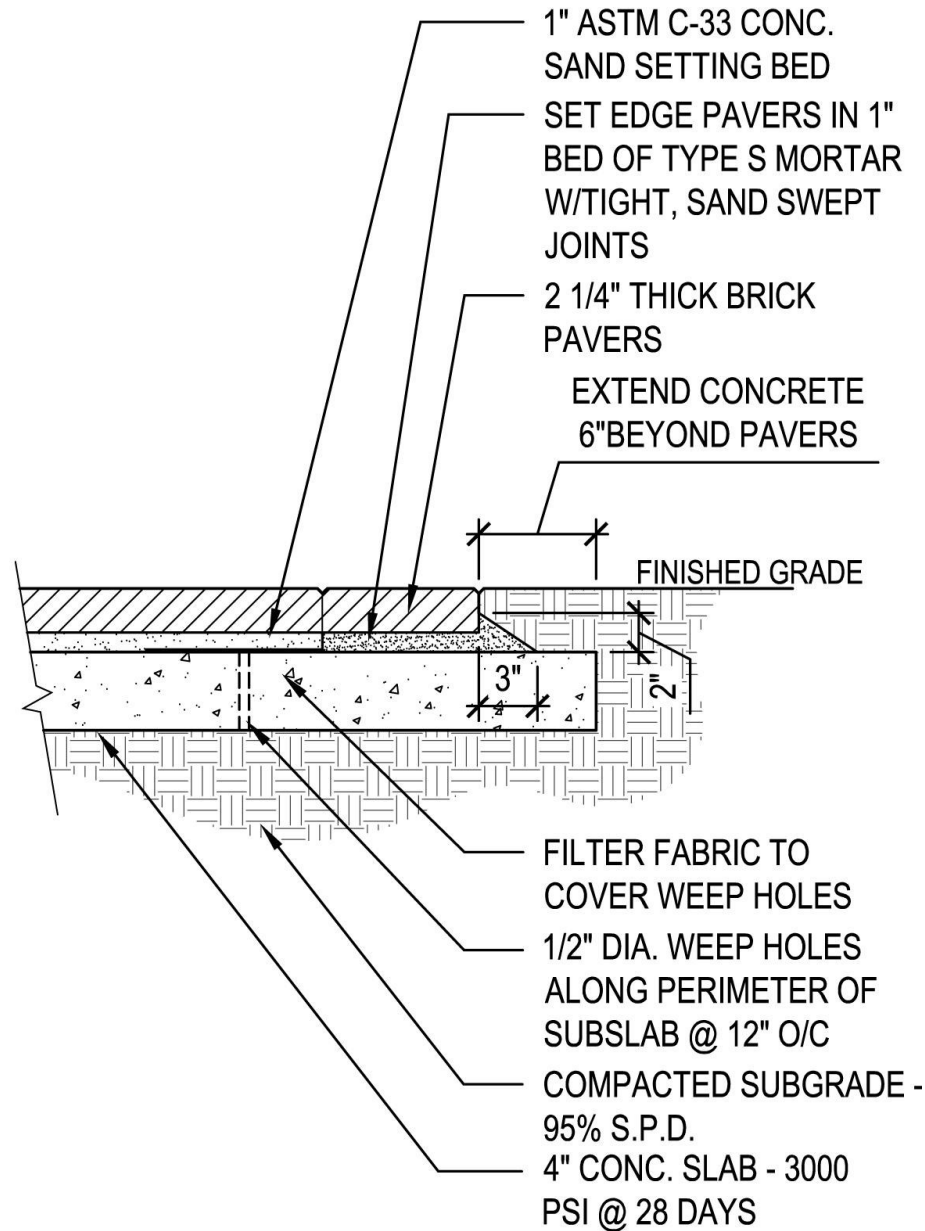
VCU

VIRGINIA COMMONWEALTH UNIVERSITY

VCU Standard Streetscape Encroachment Package

Submitted for the consideration of the Urban Design Committee

June 9, 2016

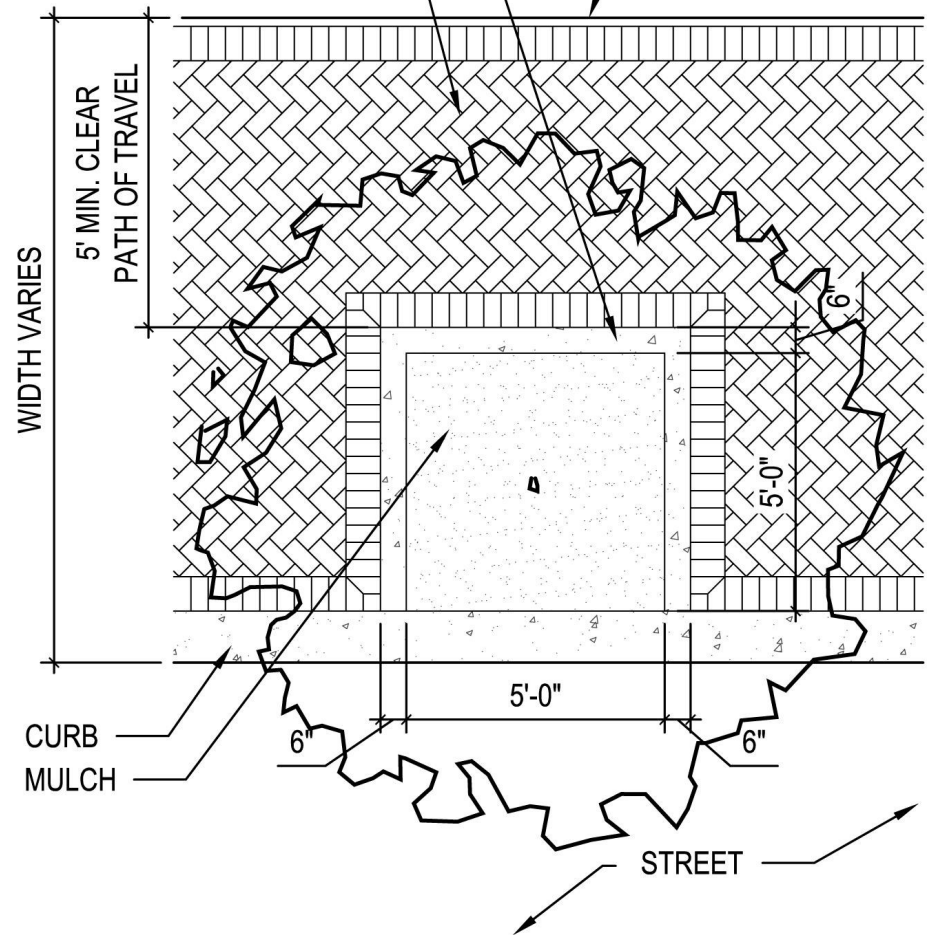


Typical Brick Paver Section in Pedestrian Areas

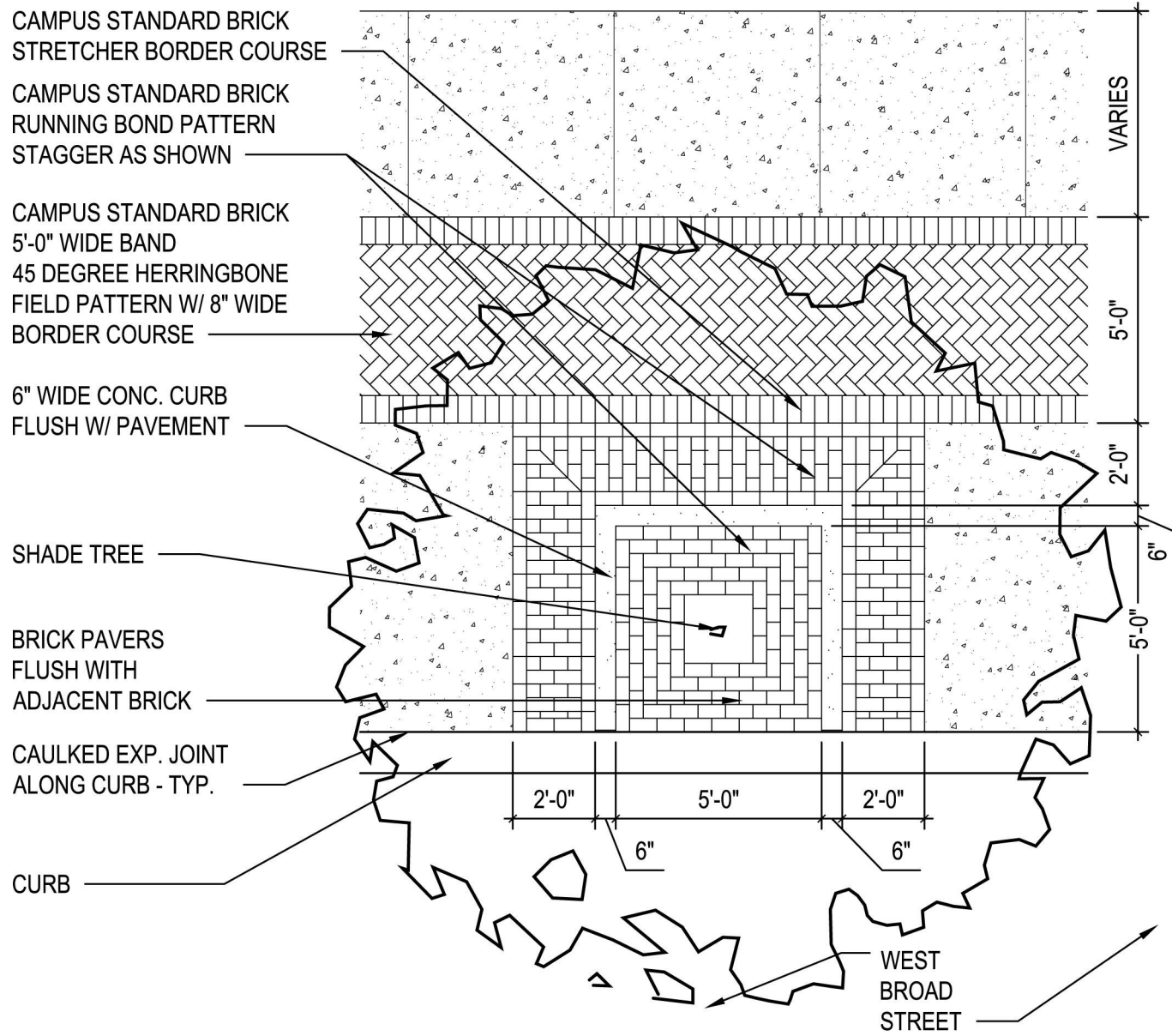
6" WIDE CONCRETE BORDER -
FLUSH WITH PAVEMENT - USE
IN ALL NEW CONSTRUCTION
AND MAJOR SIDEWALK
RENOVATIONS

FULL WIDTH SIDEWALK
45 DEGREE HERRINGBONE
FIELD WITH 8" WIDE BORDER
COURSE

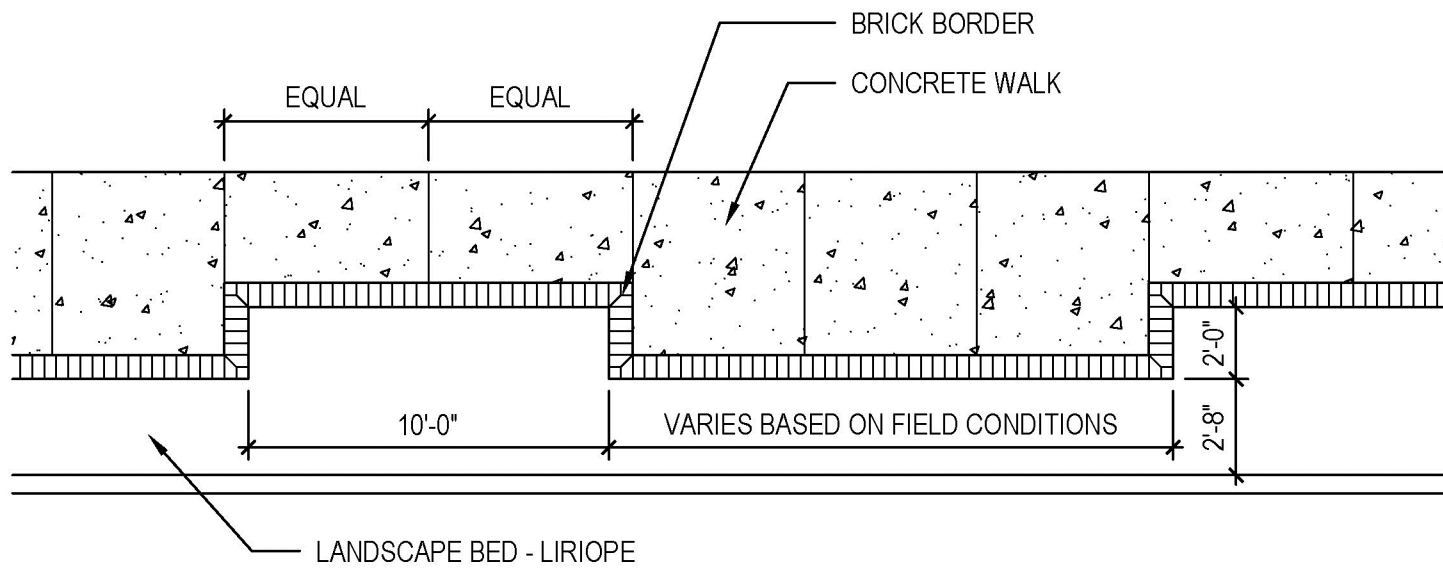
BUILDING EDGE OR
PROPERTY LINE



Typical Brick Paver Sidewalk Paving Plan

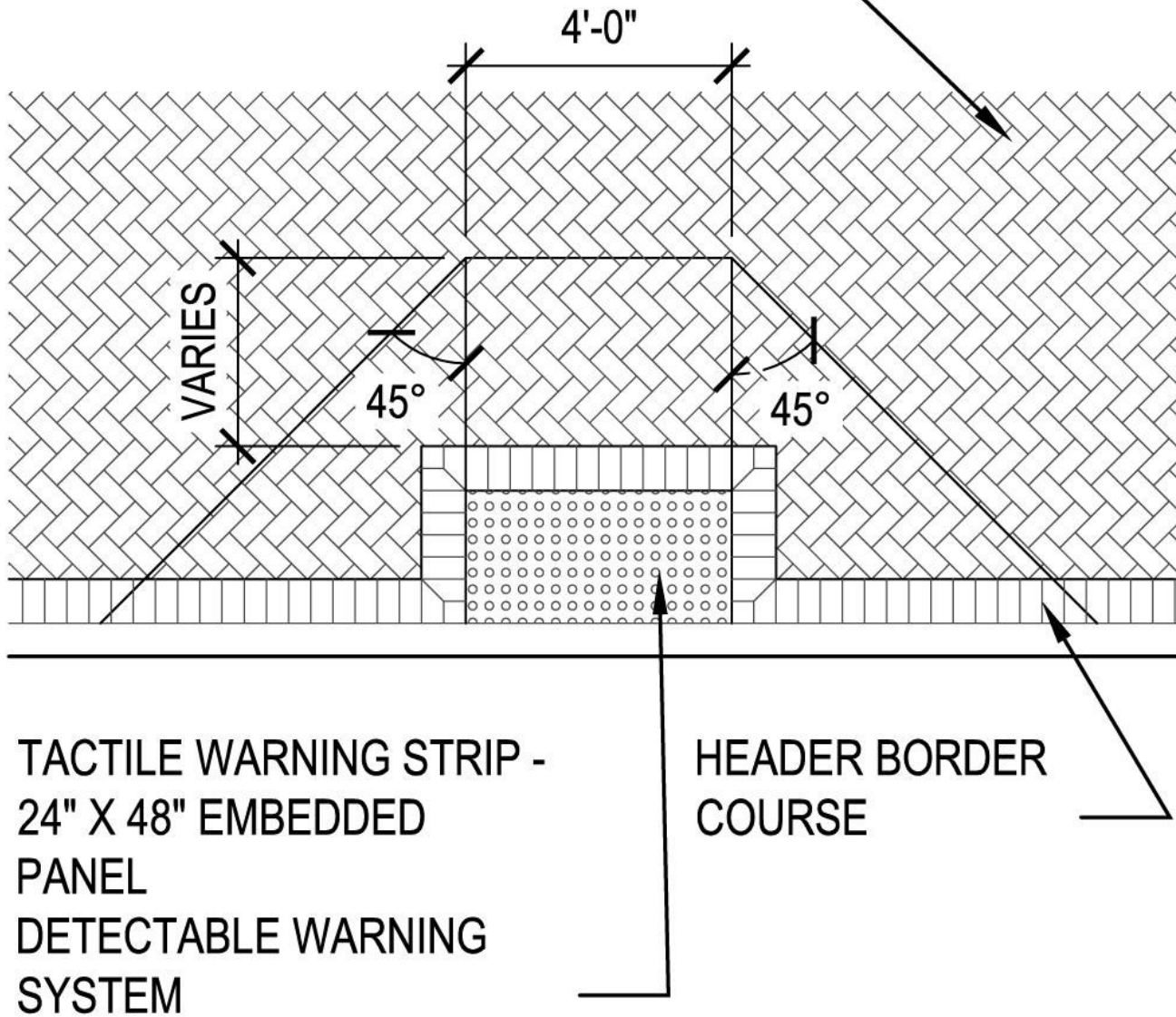


Typical Brick Paver Sidewalk Paving Plan - West Broad Street

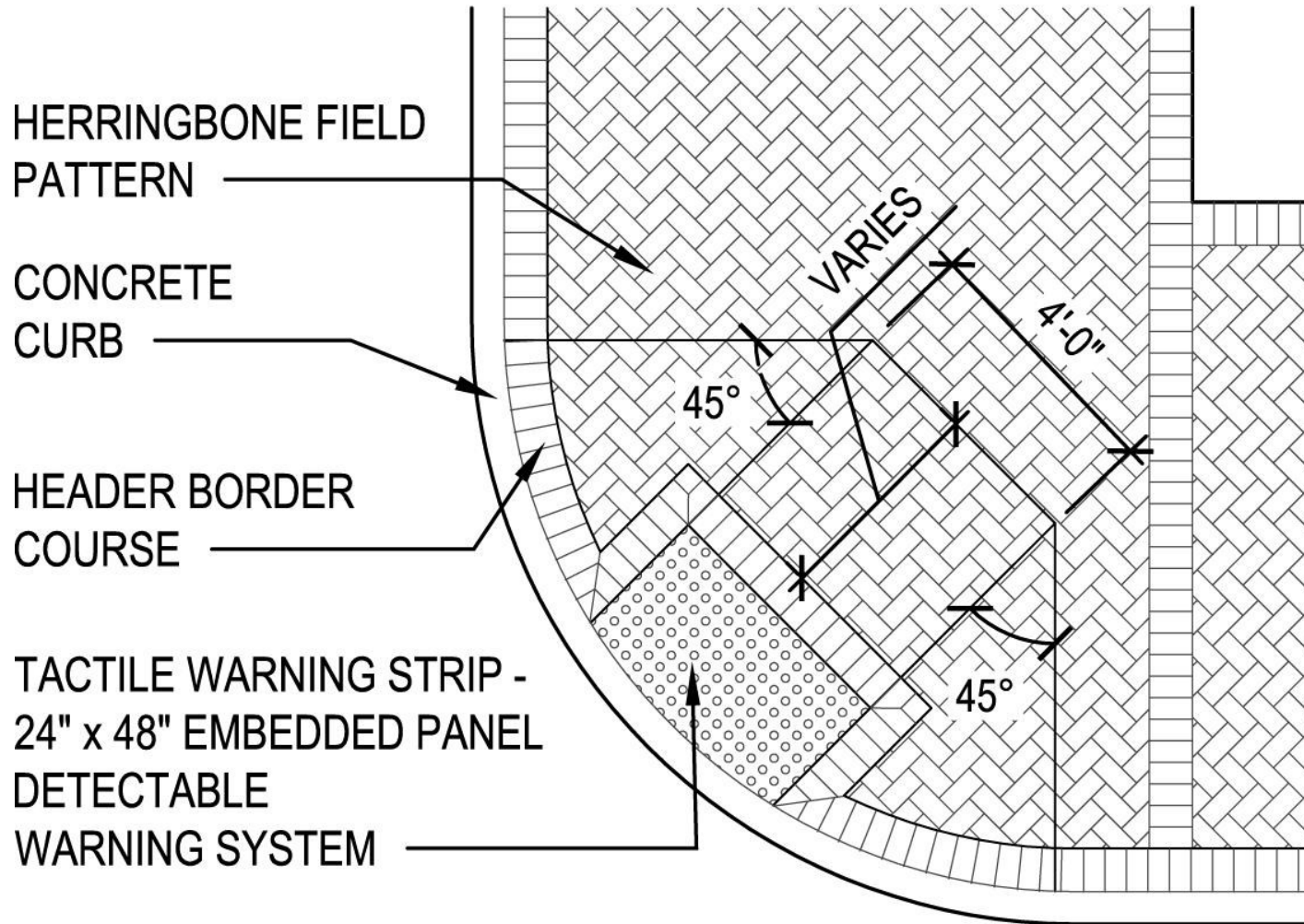


Typical Brick Paver Sidewalk Paving Plan - Belvidere Street

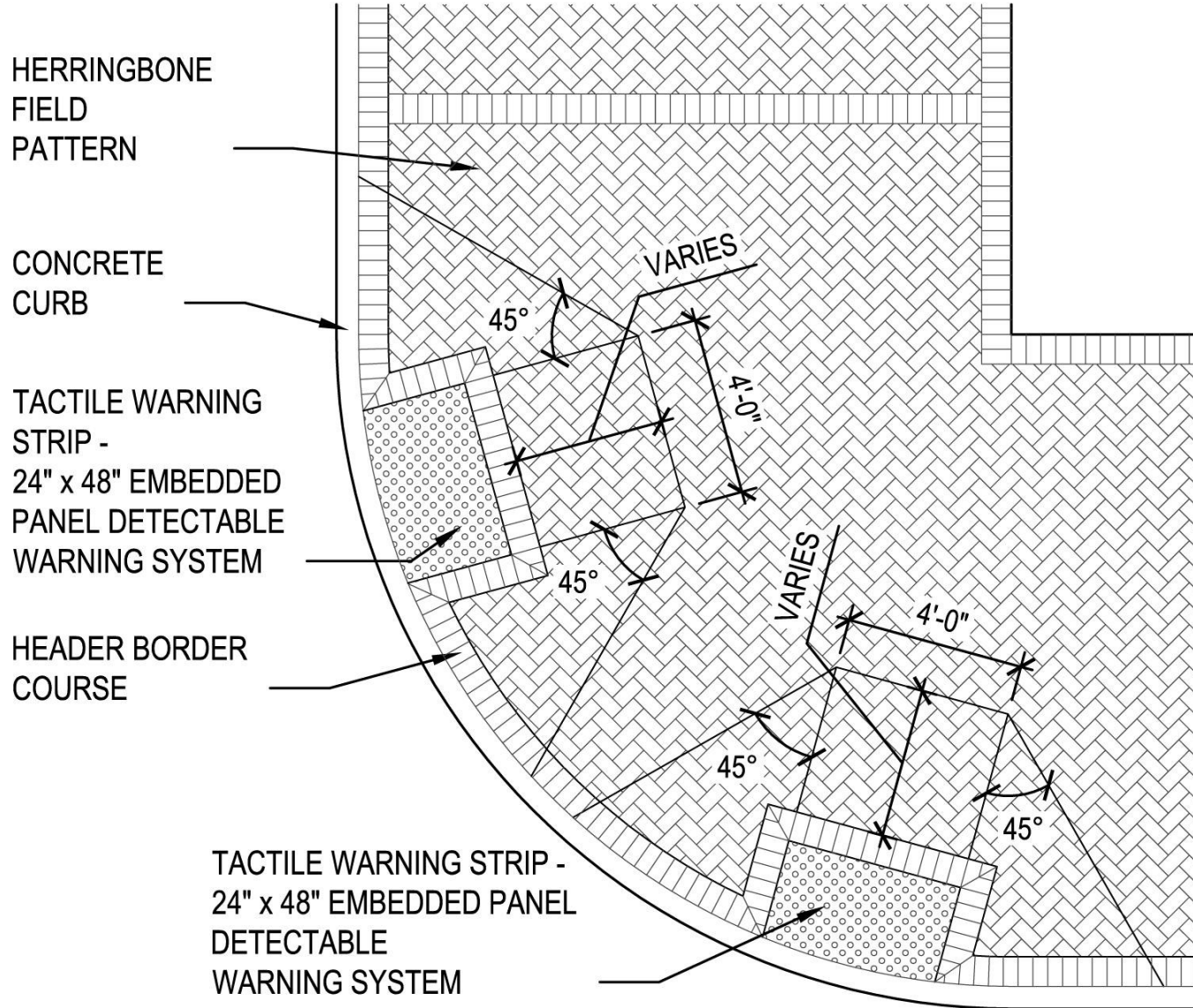
HERRINGBONE FIELD PATTERN



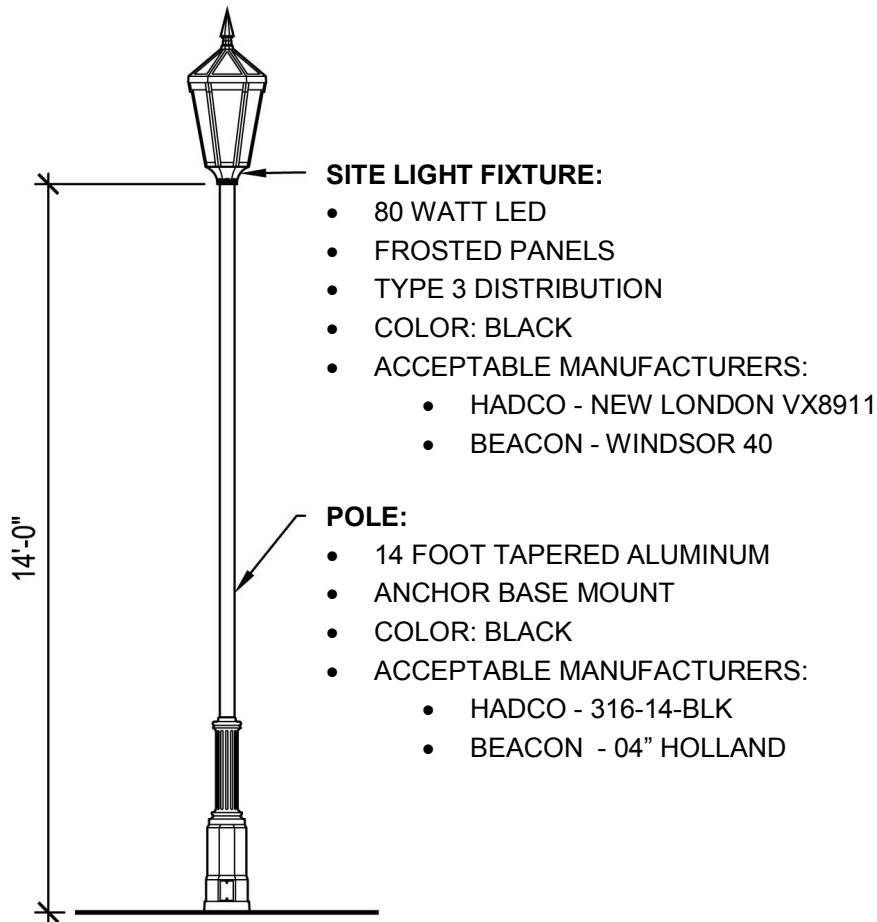
Typical ADA Paving Plan



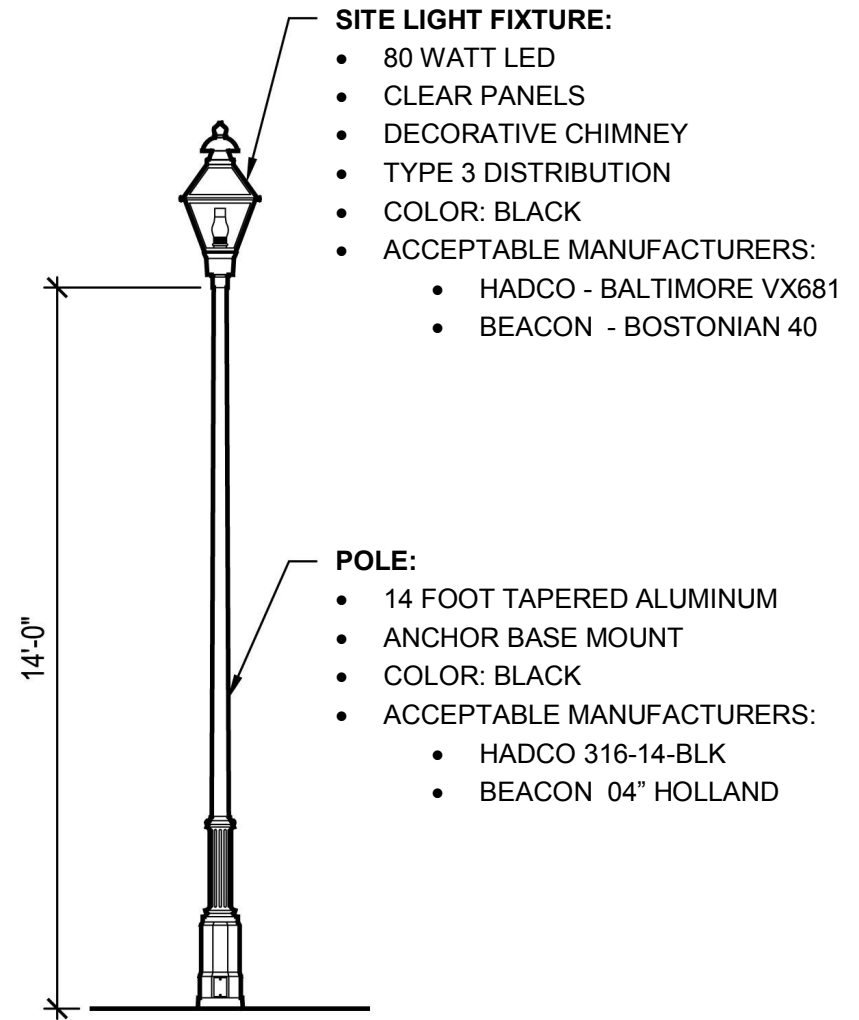
Typical ADA Corner Paving Plan



Typical Corner Paving Plan



Typical Street Light, Monroe Park Campus



Typical Street Light, M.C.V. Campus