

THIS IS TO CERTIFY THAT THIS PLAT OR MAP WAS PREPARED UNDER MY DIRECTION FROM AN ACTUAL FIELD SURVEY WITH THE BENEFIT OF A TITLE REPORT BY BRIDGETRUST TITLE GROUP, FILE No.: 093109731, ISSUE DATE: JULY 17, 2019, AND IS SUBJECT TO INFORMATION DISCLOSED BY SUCH, UNLESS OTHERWISE NOTED, TO THE BEST OF MY KNOWLEDGE AND BELIEF ALL VISIBLE EVIDENCE OF IMPROVEMENTS, EASEMENTS AND APPARENT ENCROACHMENTS ARE SHOWN HEREON. NOT ALL EASEMENTS MAY BE SHOWN. NOT ALL SUBSURFACE IMPROVEMENTS MAY BE SHOWN.

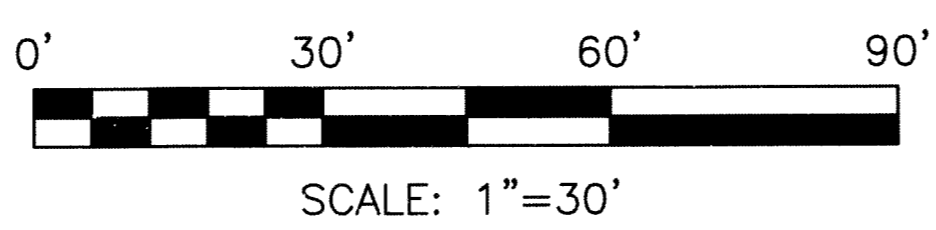
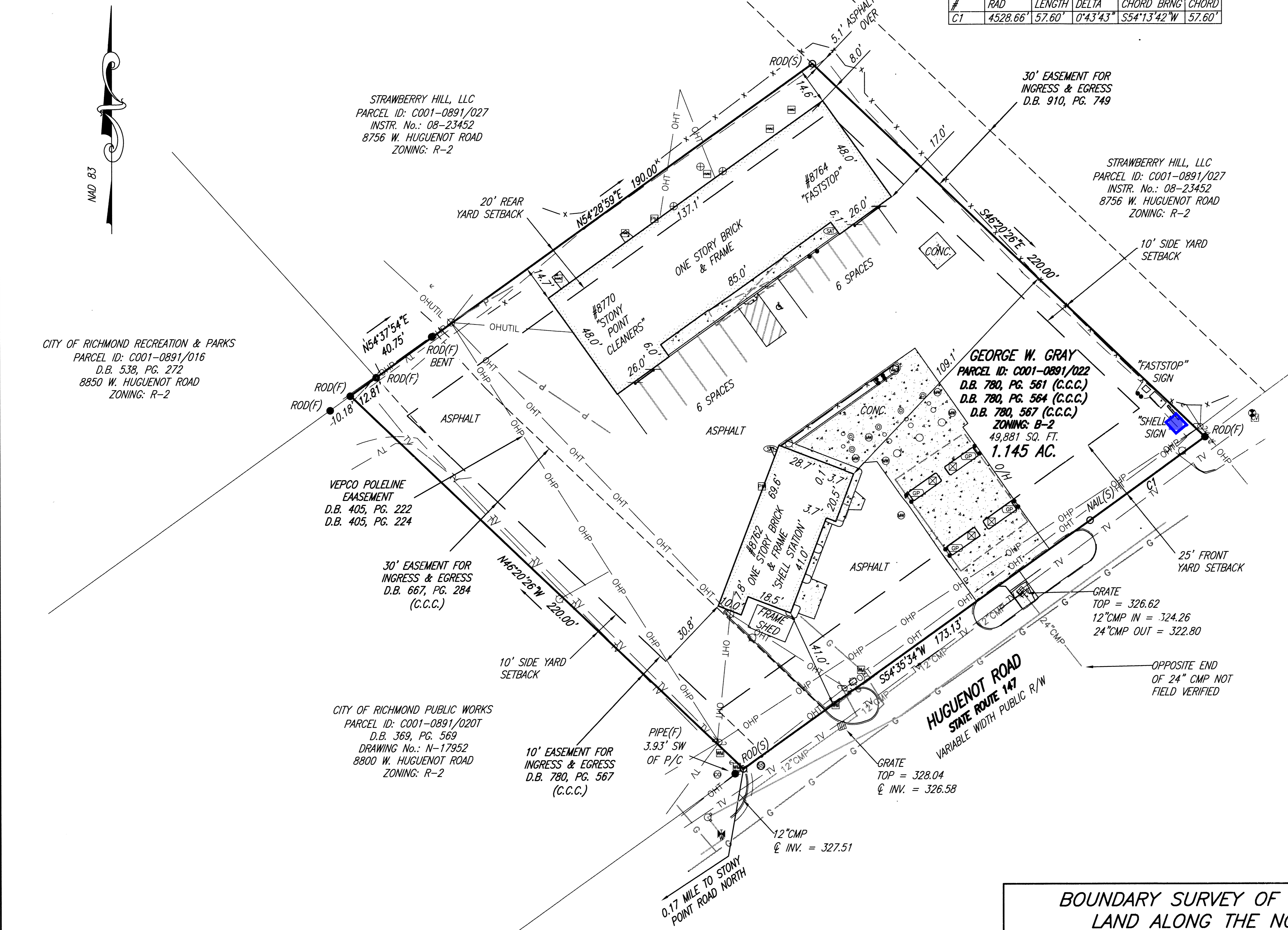
SUBSURFACE UTILITY LOCATION PER MISS UTILITY TICKET No.: A914901617-00A.

CURVE TABLE					
#	RAD	LENGTH	DELTA	CHORD BRNG	CHORD
C1	4528.66'	57.60'	0°43'43"	S54°13'42"W	57.60'

SYMBOL LEGEND	
●	BOLLARD
⊙	CLEANOUT
⊠	COLUMN
⊞	COMMUNICATIONS VAULT
⊕	FIRE HYDRANT
⊗	FIBER OPTIC POST
○	FLEX VALVE
○	FUEL MANHOLE 1.6 FT.
○	FUEL MANHOLE 3 FT.
⊕	GAS FILLER
⊞	GAS PUMP
⊖	GUY WIRE
♿	HANDICAP PARKING
⊞	HVAC
○	LIGHT POLE
⊞	MAIL BOX
⊞	METERED WELL
⊞	POWER METER
⊞	SATELLITE DISH
⊞	SIGN POST
*	SPRINKLER CONTROL OR HEAD
⊞	STORM INLET (GRATE)
⊞	UTILITY POLE
⊞	VACUUM
⊞	VAPOR RECOVERY
⊞	VENT PIPES
⊞	WATER VALVE
⊞	WATER METER

TEXT LEGEND	
(SQ.FT.)	SQUARE FEET
(CONC.)	CONCRETE
(BLDG.)	BUILDING
(R/W)	RIGHT OF WAY
(℄)	CENTERLINE
(P.B.)	PLAT BOOK
(D.B.)	DEED BOOK
(PG.)	PAGE
(O/H)	OVERHANG
(U/G)	UNDERGROUND
(E/P)	EDGE OF PAVEMENT
(RCP)	REINFORCED CONCRETE PIPE

LINETYPE LEGEND	
— OHUTIL —	OVERHEAD UTILITIES
— 12" CMP —	STORM SEWER RCP (U/G)
— OHP —	OVERHEAD POWER
— OHT —	OVERHEAD TELEPHONE
— x — x —	FENCE
— (V) —	WATERLINE (U/G)
— TV —	CABLE (U/G)
— P —	POWER LINE (U/G)
— G —	GAS LINE (U/G)



**BOUNDARY SURVEY OF 1.145 ACRES OF
LAND ALONG THE NORTH LINE OF
HUGUENOT ROAD – STATE ROUTE 147
BEING PARCEL ID: C001-0891/022**

HUGUENOT DISTRICT
CITY OF RICHMOND, VIRGINIA
PLANNERS / ARCHITECTS / ENGINEERS / SURVEYORS
ROANOKE / RICHMOND / NEW RIVER VALLEY / STAUNTON / HARRISONBURG / LYNCHBURG
15871 City View Drive, Suite 200 / Midlothian, Virginia 23113 / Phone (804) 794-0571 / www.balzer.cc

REV: 07-23-2019
DATE: 06-05-2019
SCALE: 1" = 30'
JOB: 55190027.00
DRAWN BY: BCH
CHECKED BY: CMF



General Sign Specifications

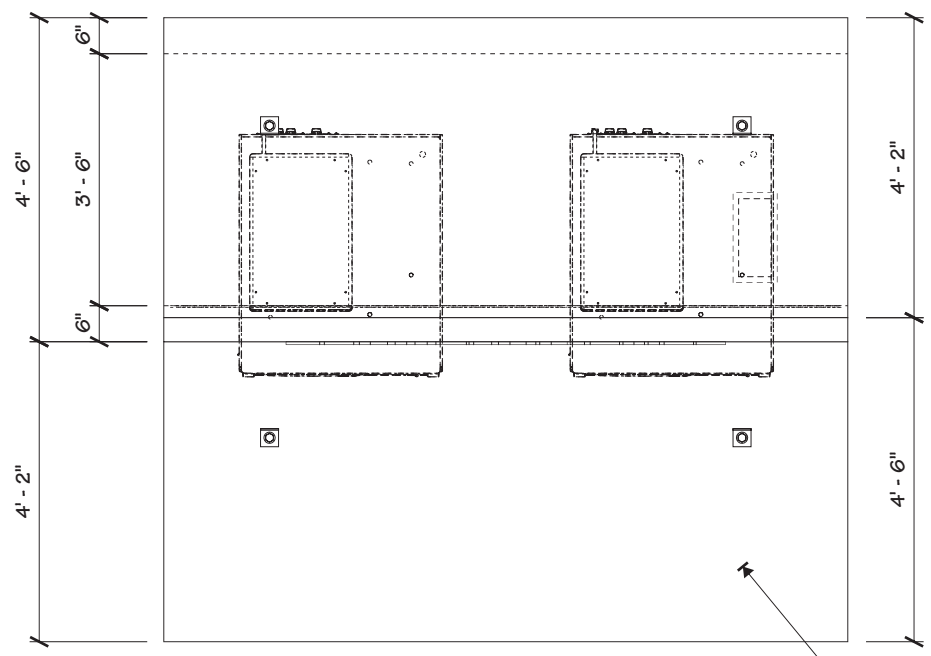
- Interior Exterior
 - Single Faced Double Faced
 - Non-Illuminated
 - Illuminated
- 120 Volts Amps(+/-)

Location _____
Windload _____

Drawing Revisions	Change
MM	11.01.17 UPDATED TO MONIGLE SI, S2, S3 DWG DATED 10.18.17
DLR	03.29.18 ADDED WATERPROOF HEATER/AC UNIT
DLR	04.25.18 REMOVED WAYFINDING, CENTERED LOGO & REPLACED INFILL W/ ACM
DLR	05.23.18 MONIGLE UPDATES
DLR	09.10.18 CORRECTED ROOF AND SHIPPING STAND DIMS.
DLR	09.15.18 ADDED NEW GAS LIFTER DETAILS

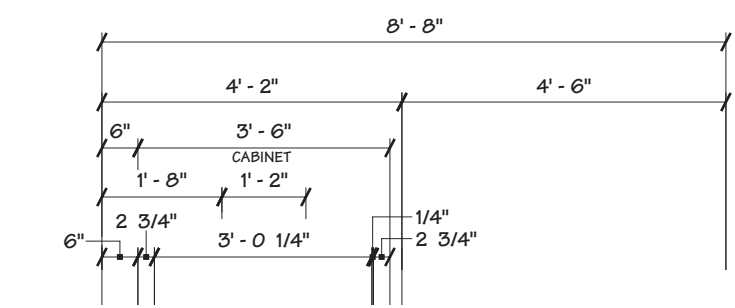
This document is the sole property of Architectural Graphics, Inc., and all design, manufacturing, reproduction, use and sale rights regarding the same are expressly forbidden. It is submitted under a confidential relationship, for a special purpose, and the recipient, by accepting this document assumes custody and agrees that this document will not be copied or reproduced in whole or in part, nor its contents revealed in any manner or to any person except for the purpose for which it was tendered, nor any special features peculiar to this design be incorporated in other projects.

Code	6894	Type	C
Sign Type	FRAME-R-EXT-NG-WU-KIO-DBL-D7705	PG #:	1

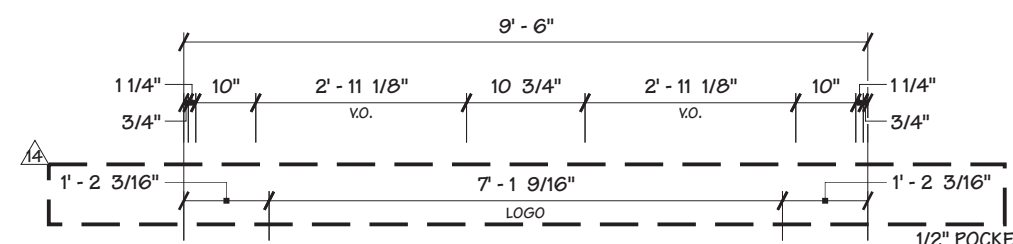


3
1 ALTERNATE PLAN VIEW
 3/8" = 1' - 0"

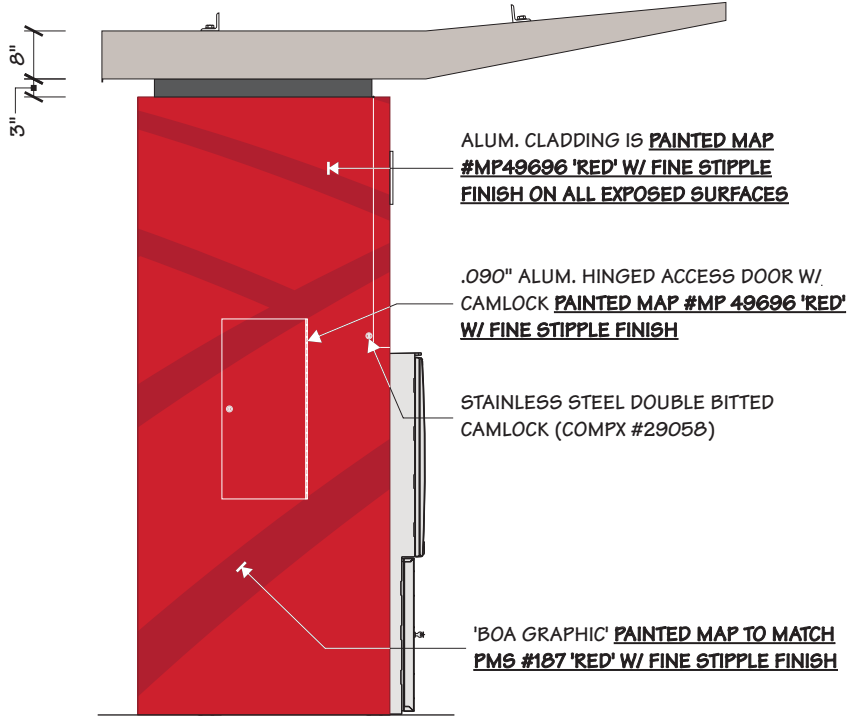
HENRY 287 SOLAR FLEX 'WHITE'
 ELASTOMERIC ROOF COATING
 - HOLD BACK 1/4" FROM EDGE



2
1 LEFT SIDE VIEW
 3/8" = 1' - 0"



1
1 FRONT ELEVATION
 3/8" = 1' - 0"



ALUM. REVEAL PANEL IS **PAINTED PMS #425**

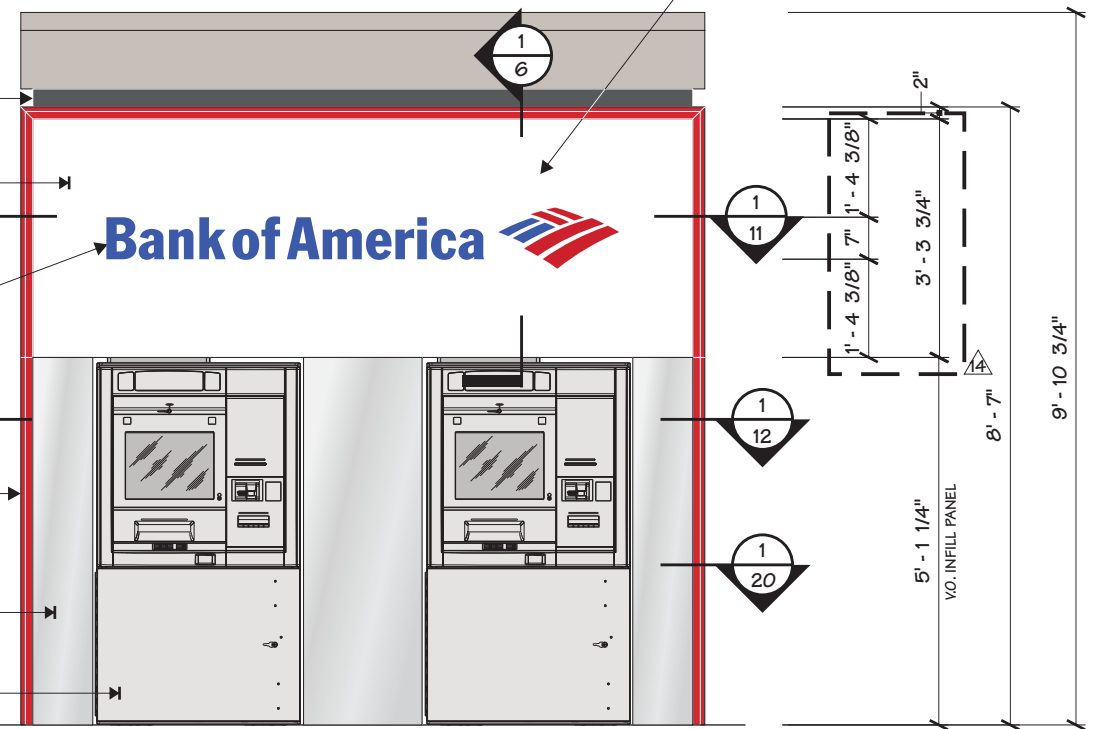
1/8" ALUM. FACE **PAINTED MAP 'GARBO SILVER' FULL GLOSS W/ CLEAR GLOSS COAT W/ ROUTED OUT GRAPHICS**

1/2" POCKET ROUTED CLEAR GLOSS ACRYLIC WORDMARK W/ **#2114 'BLUE' ACRYLIC** GLUED TO SURFACE

.090" FABRICATED ALUM. FRAME **PAINTED MAP #MP49696 'RED' W/ FINE STIPPLE FINISH ON ALL EXPOSED SURFACES**

4MM ALUCOBOND INFILL PANELS W/ **'NATURAL BRUSHED 50 FINISH'** - HEM EDGES ALONG TOPS

ATM UNIT



General Sign Specifications

- Interior Exterior
 - Single Faced Double Faced
 - Non-Illuminated
 - Illuminated
- 120 Volts Amps(+/-)

Location _____
Windload _____

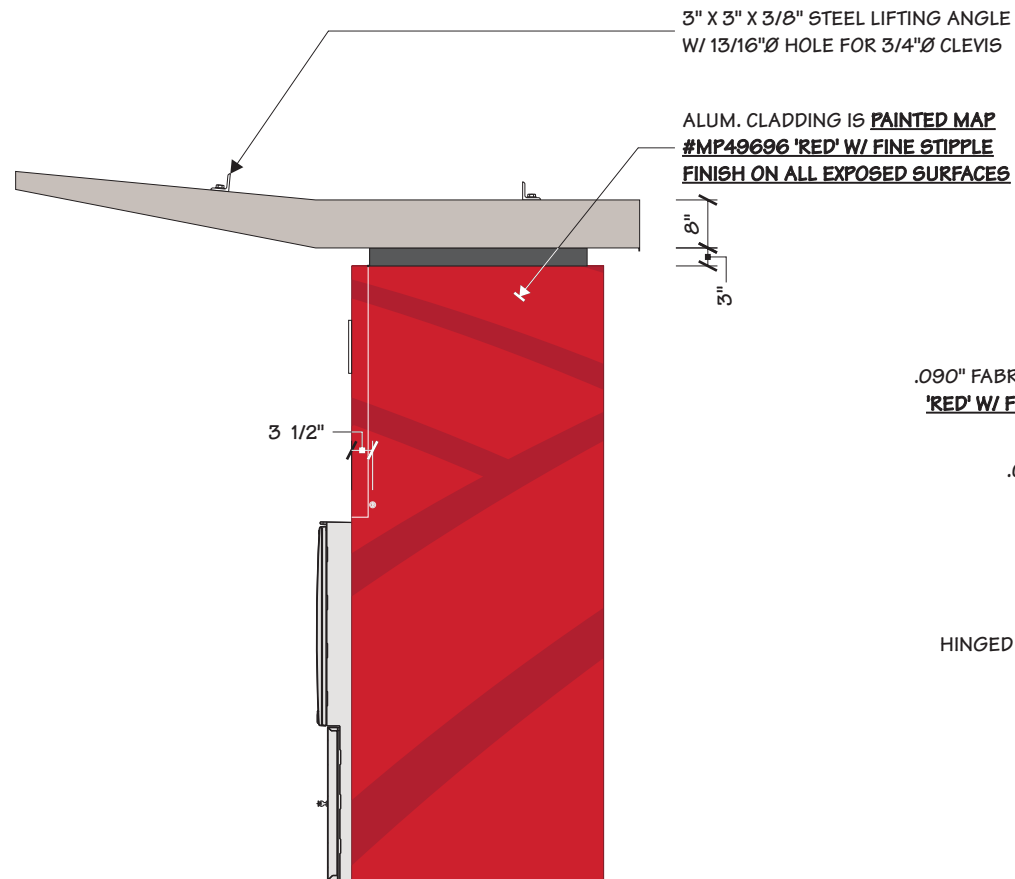
Drawing Revisions	Change
MM	11.01.17 UPDATED TO MONIGLE SI, S2, S3 DWG DATED 10.18.17
DLR	03.29.18 ADDED WATERPROOF HEATER/AC UNIT
DLR	04.25.18 REMOVED WAYFINDING, CENTERED LOGO & REPLACED INFILL W/ ACM
DLR	05.23.18 MONIDLGE UPDATES
DLR	09.10.18 CORRECTED ROOF AND SHIPPING STAND DIMS.
DLR	09.15.18 ADDED NEW GAS LIFTER DETAILS

This document is the sole property of Architectural Graphics, Inc., and all design, manufacturing, reproduction, use and sale rights regarding the same are expressly forbidden. It is submitted under a confidential relationship, for a special purpose, and the recipient, by accepting this document assumes custody and agrees that this document will not be copied or reproduced in whole or in part, nor its contents revealed in any manner or to any person except for the purpose for which it was tendered, nor any special features peculiar to this design be incorporated in other projects.

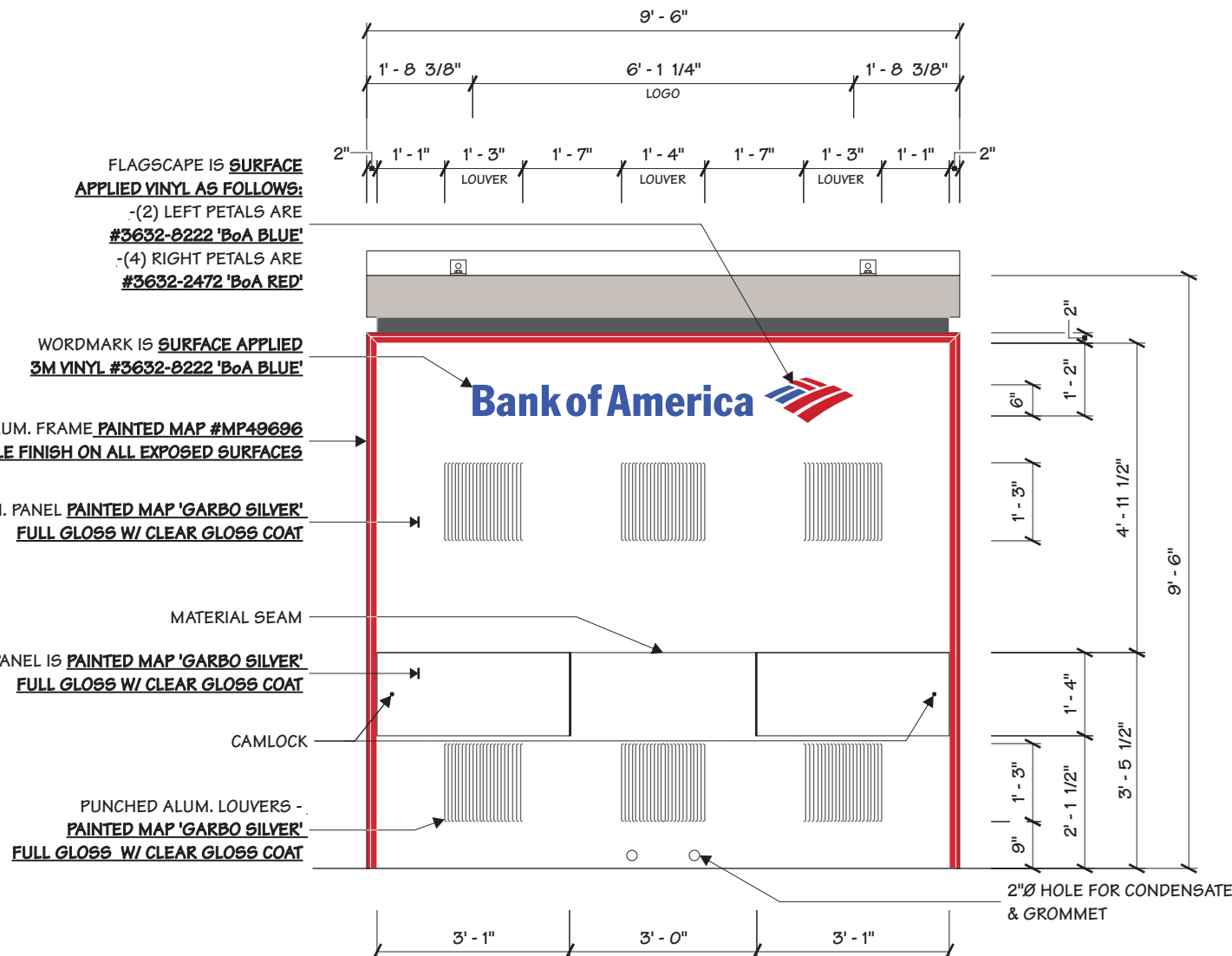
Code 6894 **Type** C

Sign Type FRAME-R-EXT-NG-WU-KIO-DBL-D7705 **PG #:** 2

2655 International Parkway
 Virginia Beach, VA 23452



2 RIGHT SIDE VIEW
 3/8" = 1' - 0"



FLAGSCAPE IS **SURFACE APPLIED VINYL AS FOLLOWS:**
 -(2) LEFT PETALS ARE #3632-8222 'BoA BLUE'
 -(4) RIGHT PETALS ARE #3632-2472 'BoA RED'

WORDMARK IS **SURFACE APPLIED 3M VINYL #3632-8222 'BoA BLUE'**

.090" FABRICATED ALUM. FRAME **PAINTED MAP #MP49696 'RED' W/ FINE STIPPLE FINISH ON ALL EXPOSED SURFACES**

.090" ALUM. PANEL **PAINTED MAP 'GARBO SILVER' FULL GLOSS W/ CLEAR GLOSS COAT**

MATERIAL SEAM

HINGED ACCESS PANEL IS **PAINTED MAP 'GARBO SILVER' FULL GLOSS W/ CLEAR GLOSS COAT**

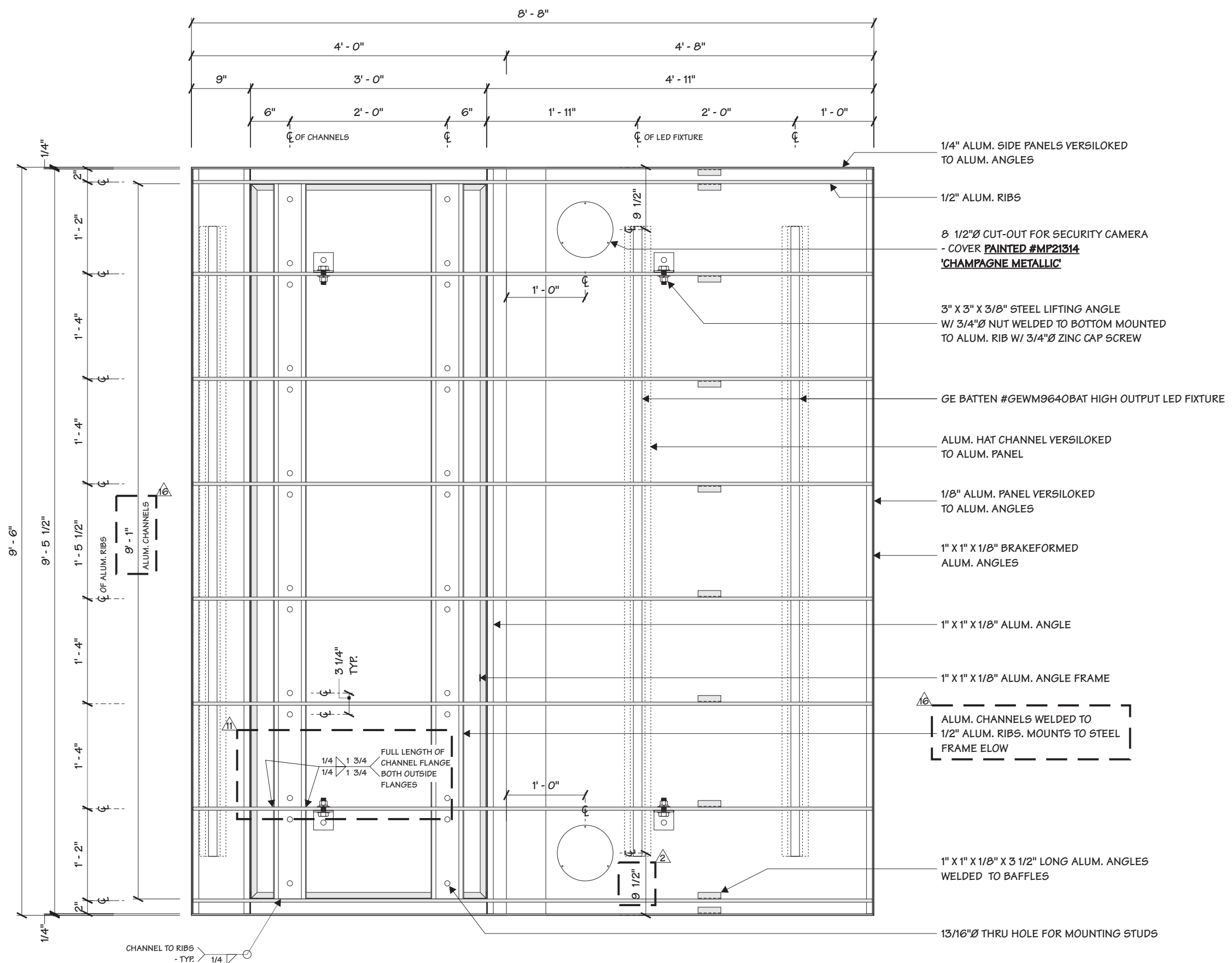
CAMLOCK

PUNCHED ALUM. LOUVERS - **PAINTED MAP 'GARBO SILVER' FULL GLOSS W/ CLEAR GLOSS COAT**

General Sign Specifications

- Interior Exterior
 - Single Faced Double Faced
 - Non-Illuminated
 - Illuminated
- 120 Volts Amps(+/-)

Location _____
Windload _____



1 ALUMINUM ROOF FRAMING PLAN VIEW
 3 3/4" = 1' - 0"

Change	Date	By	Change
	11.01.17	MM	UPDATED TO MONIGLE S1, S2, S3 DWG DATED 10.18.17
	03.29.18	DLR	ADDED WATRONIX HEATER/AC UNIT
	04.25.18	DLR	REMOVED WAYFINDING, CENTERED LOGO & REPLACED INFILL W/ ACM
	05.23.18	DLR	MONIDLE UPDATES
	09.10.18	DLR	CORRECTED ROOF AND SHIPPING STAND DIMS.
	09.15.18	DLR	ADDED NEW GAS LIFTER DETAILS

This document is the sole property of Architectural Graphics, Inc., and all design, manufacturing, reproduction, use and sale rights regarding the same are expressly forbidden. It is submitted under a confidential relationship, for a special purpose, and the recipient, by accepting this document assumes custody and agrees that this document will not be copied or reproduced in whole or in part, nor its contents revealed in any manner or to any person except for the purpose for which it was tendered, nor any special features peculiar to this design be incorporated in other projects.

Code	6894	Type	C
Sign Type	FRAME-R-EXT-NG-WU-KIO-DBL-D7705	PG #:	3

Project Title
 BANK OF AMERICA
 MONIGLE APPROVED 08/08/17

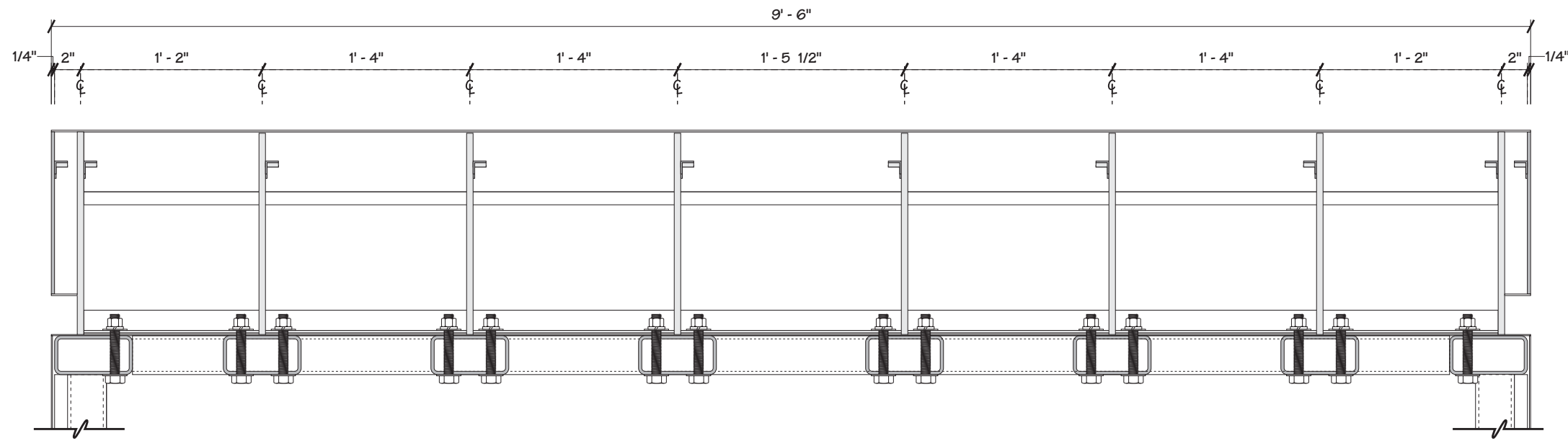
Date 02.21.17

AGI EoR M. SMITH
Lead Drafter GLM
Drawn By GLM
Project Mgr. K. GREER

General Sign Specifications

- Interior Exterior
 Single Faced Double Faced
 Non-Illuminated
 Illuminated
 120 Volts _____ Amps(+/-)

Location _____
Windload _____



1 SECTION @ ROOF
 4 3/32" = 1"

Drawn By	Date	Change
MM	11.01.17	UPDATED TO MONIGLE S1, S2, S3 DWG DATED 10.18.17
DLR	03.29.18	ADDED WATRONIX HEATER/AC UNIT
DLR	04.25.18	REMOVED WAYFINDING, CENTERED LOGO & REPLACED INFILL W/ACM
DLR	05.23.18	MONIDLGE UPDATES
DLR	09.10.18	CORRECTED ROOF AND SHIPPING STAND DIMS.
DLR	09.15.18	ADDED NEW GAS LIFTER DETAILS

This document is the sole property of Architectural Graphics, Inc., and all design, manufacturing, reproduction, use and sale rights regarding the same are expressly forbidden. It is submitted under a confidential relationship, for a special purpose, and the recipient, by accepting this document assumes custody and agrees that this document will not be copied or reproduced in whole or in part, nor its contents revealed in any manner or to any person except for the purpose for which it was tendered, nor any special features peculiar to this design be incorporated in other projects.

Code 6894	Type C
Sign Type FRAME-R-EXT-NG-WU- KIO-DBL-D7705	PG #: 4

General Sign Specifications

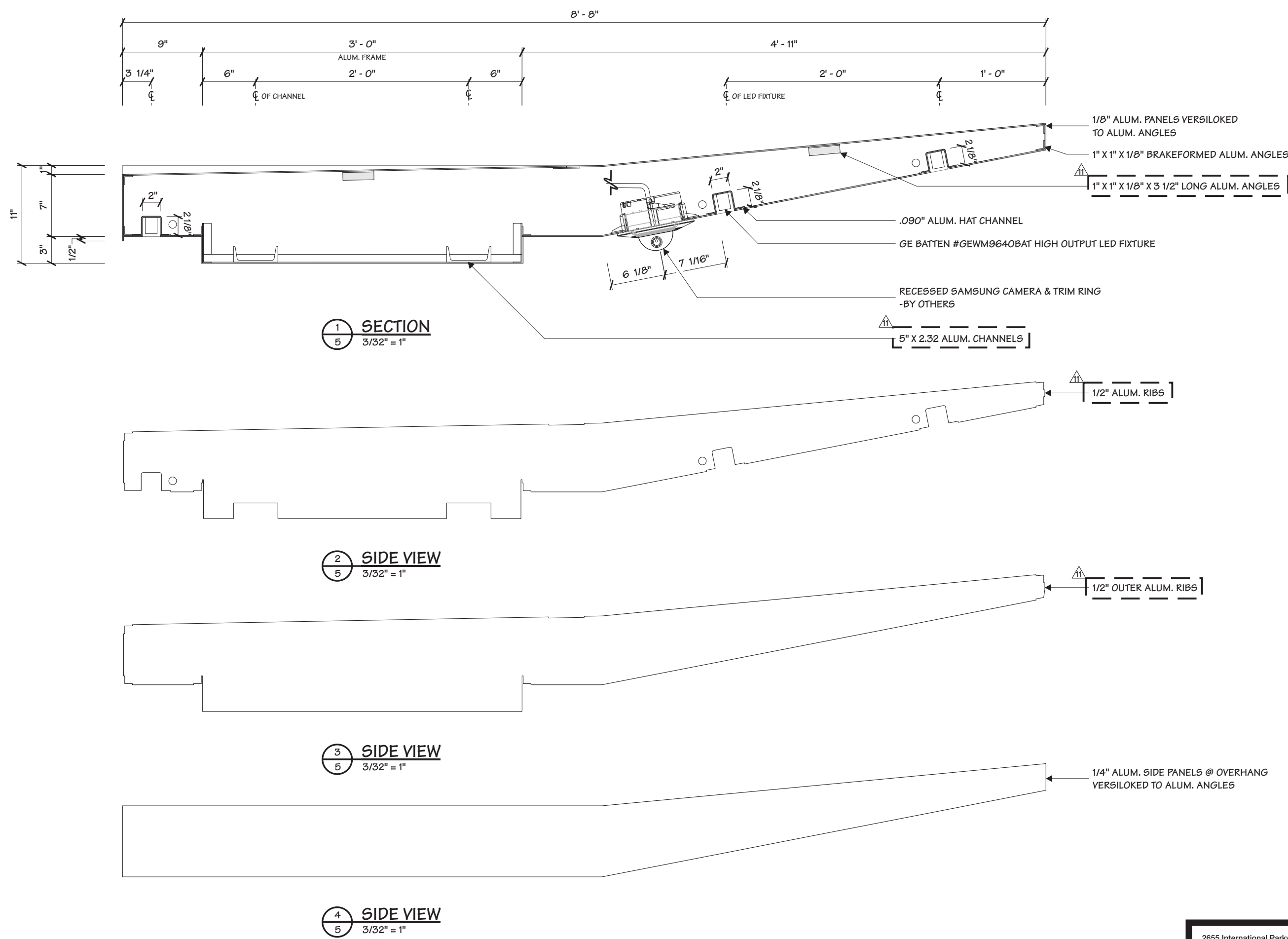
- Interior Exterior
 - Single Faced Double Faced
 - Non-Illuminated
 - Illuminated
- 120 Volts Amps(+/-)

Location _____
Windload _____

Drawing Revisions	Change
MM	11.01.17 UPDATED TO MONIGLE S1, S2, S3 DWG DATED 10.18.17
DLR	03.29.18 ADDED WATRONIX HEATER/AC UNIT
DLR	04.25.18 REMOVED WAYFINDING, CENTERED LOGO & REPLACED INFILL W/ ACM
DLR	05.23.18 MONIDLGE UPDATES
DLR	09.10.18 CORRECTED ROOF AND SHIPPING STAND DIMS.
DLR	09.15.18 ADDED NEW GAS LIFTER DETAILS

This document is the sole property of Architectural Graphics, Inc., and all design, manufacturing, reproduction, use and sale rights regarding the same are expressly forbidden. It is submitted under a confidential relationship, for a special purpose, and the recipient, by accepting this document assumes custody and agrees that this document will not be copied or reproduced in whole or in part, nor its contents revealed in any manner or to any person except for the purpose for which it was tendered, nor any special features peculiar to this design be incorporated in other projects.

Code	6894	Type	C
Sign Type	FRAME-R-EXT-NG-WU-KIO-DBL-D7705	PG #:	5



Project Title
BANK OF AMERICA
 MONIGLE APPROVED 08/08/17

Date 02.21.17

AGI EoR M. SMITH
Lead Drafter GLM
Drawn By GLM
Project Mgr. K. GREER

General Sign Specifications

- Interior Exterior
 - Single Faced Double Faced
 - Non-Illuminated
 - Illuminated
- 120 Volts Amps(+/-)

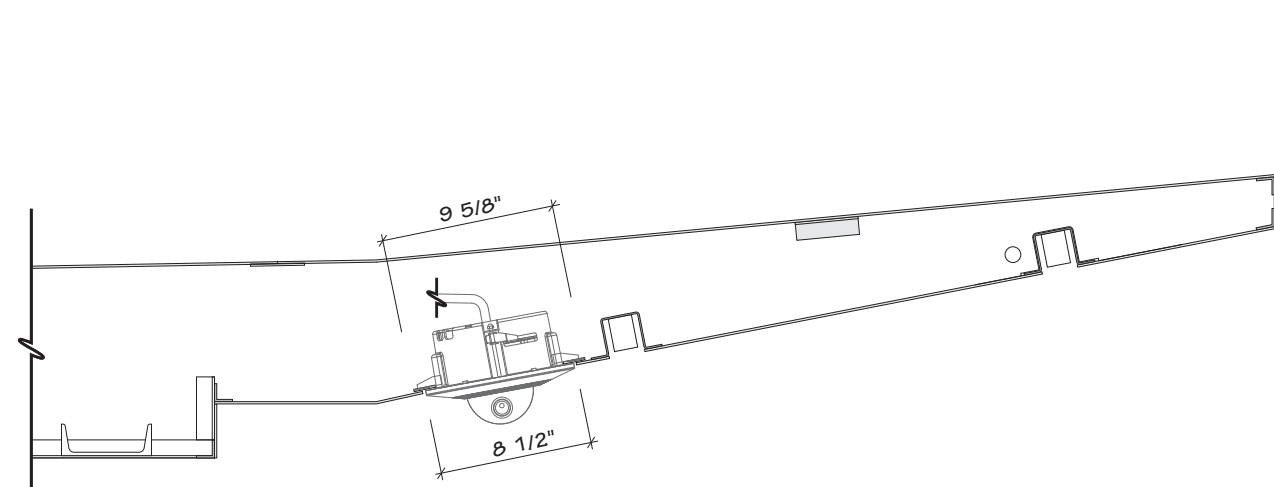
Location _____
Windload _____

Drawing Revisions	Change
MM	11.01.17 UPDATED TO MONIGLE SI, S2, S3 DWG DATED 10.18.17
DLR	03.29.18 ADDED WATRONIX HEATER/AC UNIT
DLR	04.25.18 REMOVED WAYFINDING, CENTERED LOGO & REPLACED INFILL W/ ACM
DLR	05.23.18 MONIGLE UPDATES
DLR	09.10.18 CORRECTED ROOF AND SHIPPING STAND DIMS.
DLR	09.15.18 ADDED NEW GAS LIFTER DETAILS

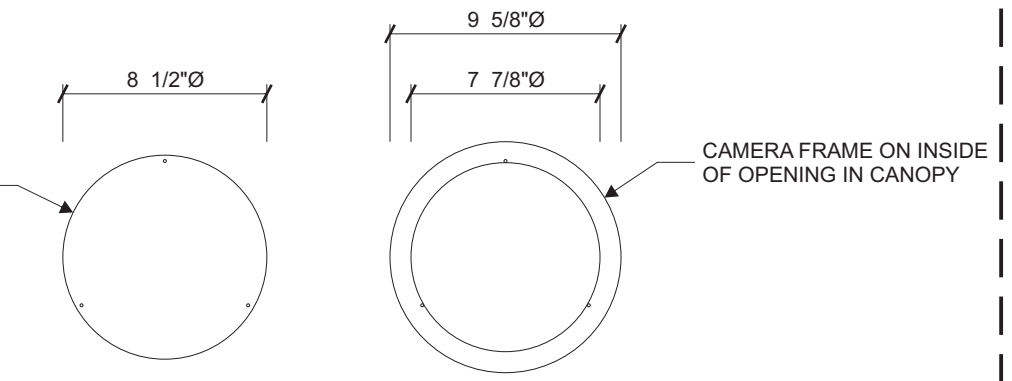
This document is the sole property of Architectural Graphics, Inc., and all design, manufacturing, reproduction, use and sale rights regarding the same are expressly submitted. It is submitted under a confidential relationship, for a special purpose, and the recipient, by accepting this document assumes custody and agrees that this document will not be copied or reproduced in whole or in part, nor its contents revealed in any manner or to any person except for the purpose for which it was tendered, nor any special features peculiar to this design be incorporated in other projects.

Code 6894 **Type** C

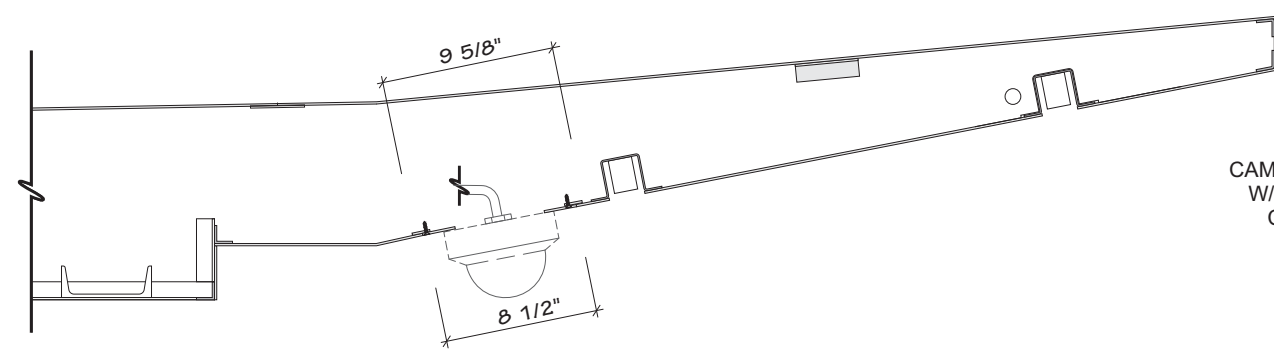
Sign Type FRAME-R-EXT-NG-WU-KIO-DBL-D7705 **PG #:** 5A



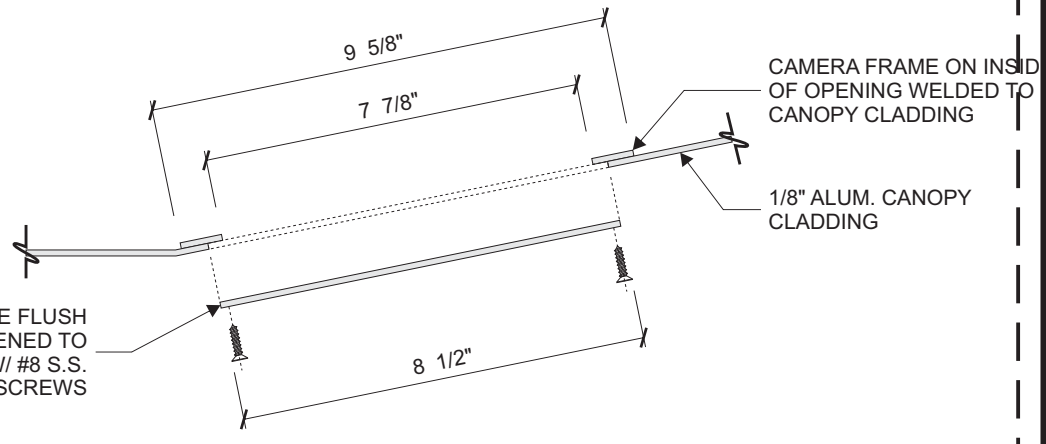
1 RECESSED CAMERA (SAMSUNG) AND TRIM RING
 5A 3/32" = 1"



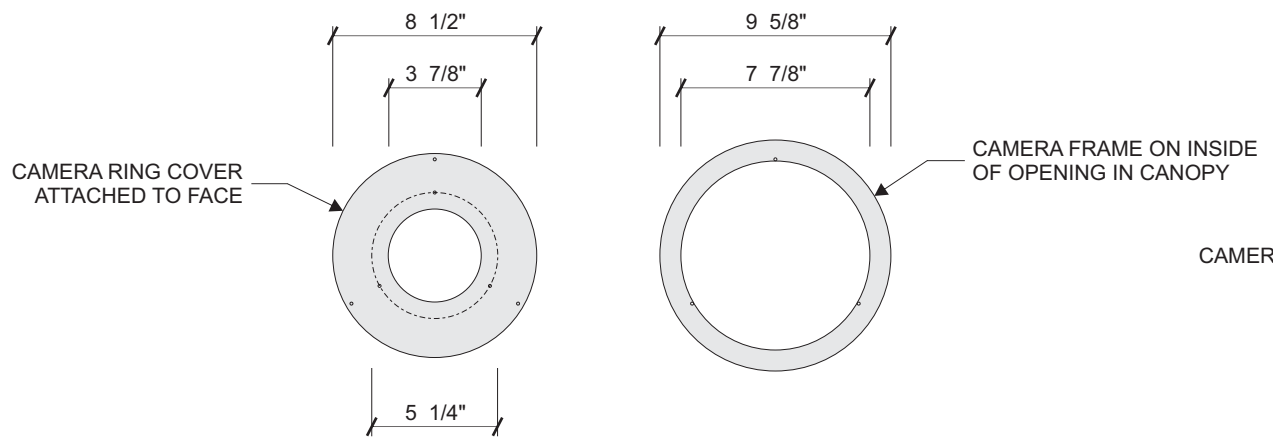
3 SAMSUNG CAMERA AND TRIM RING
 5A 1/8" = 1"



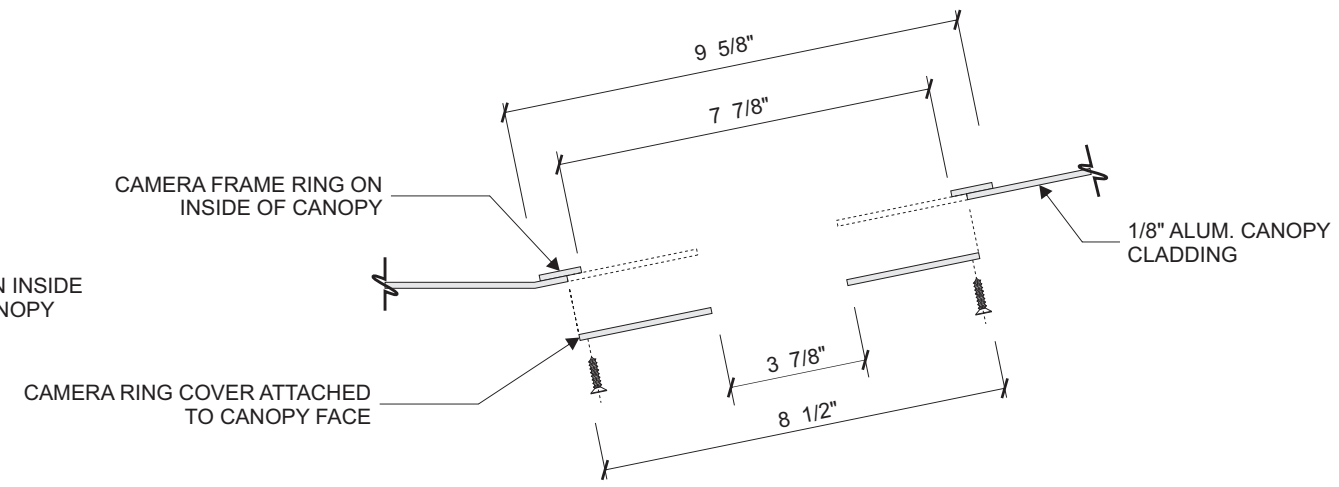
2 FLUSH MOUNTED CAMERA (BOSCH) AND ATTACHMENT RING
 5A 3/32" = 1"



4 SAMSUNG CAMERA AND TRIM RING
 5A 1/4" = 1"



5 BOSCH CAMERA AND RING COVER
 5A 1/8" = 1"



6 BOSCH CAMERA RING COVER DETAIL
 5A 1/4" = 1"

General Sign Specifications

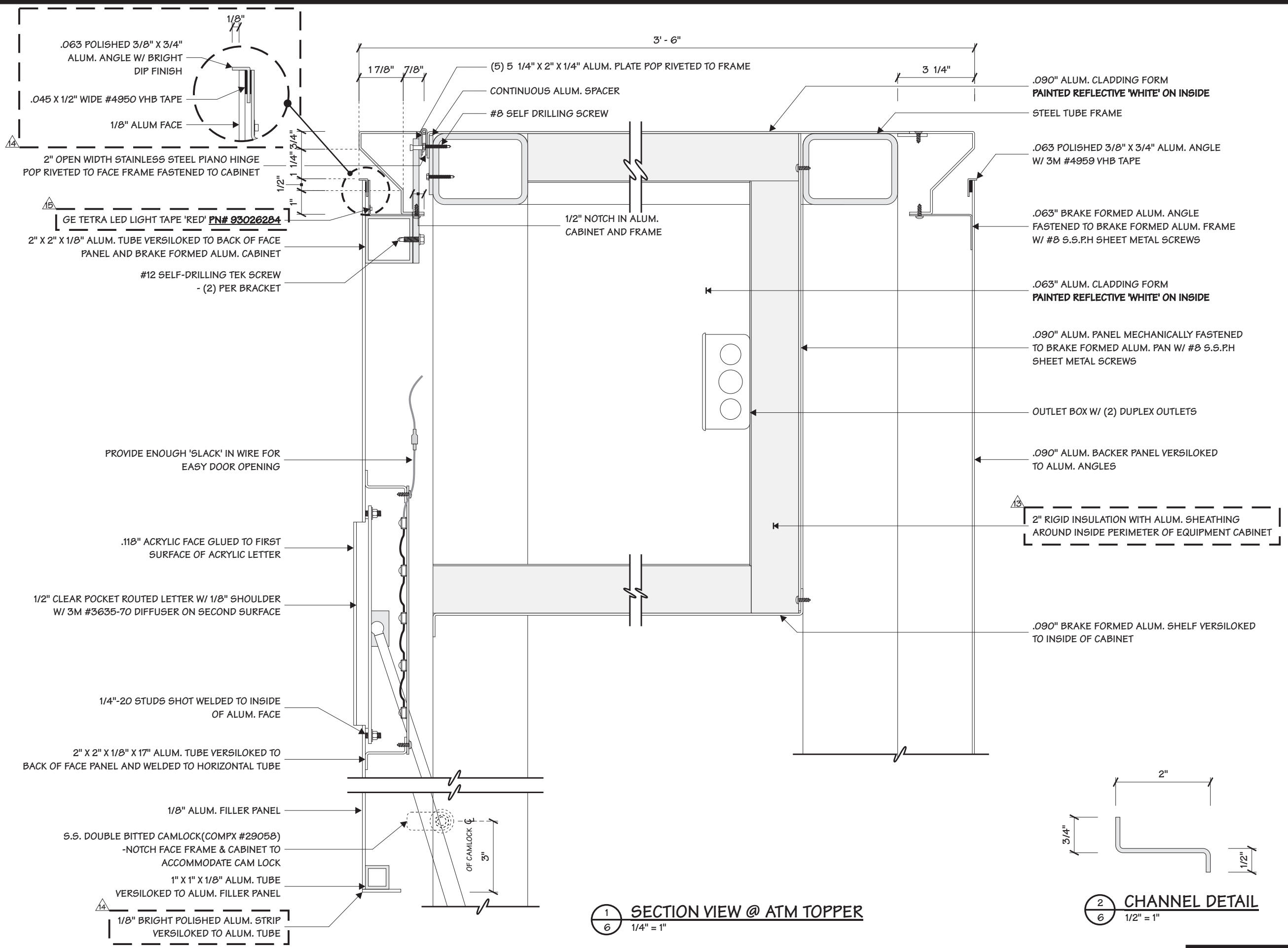
- Interior Exterior
 - Single Faced Double Faced
 - Non-Illuminated
 - Illuminated
- 120 Volts _____ Amps(+/-)

Location _____
Windload _____

Drawing Revisions	Change
MM	11.01.17 UPDATED TO MONIGLE ST. S2, S3 DWG DATED 10.18.17
DLR	03.29.18 ADDED WATRONIX HEATER/AC UNIT
DLR	04.25.18 REMOVED WAYFINDING, CENTERED LOGO & REPLACED INFILL W/ ACM
DLR	05.23.18 MONIDLGE UPDATES
DLR	09.10.18 CORRECTED ROOF AND SHIPPING STAND DIMS.
DLR	09.15.18 ADDED NEW GAS LIFTER DETAILS

This document is the sole property of Architectural Graphics, Inc., and all design, manufacturing, reproduction, use and sale rights regarding the same are expressly forbidden. It is submitted under a confidential relationship, for a special purpose, and the recipient, by accepting this document assumes custody and agrees that this document will not be copied or reproduced in whole or in part, nor its contents revealed in any manner or to any person except for the purpose for which it was tendered, nor any special features peculiar to this design be incorporated in other projects.

Code	Type
6894	C
Sign Type	PG #:
FRAME-R-EXT-NG-WU-KIO-DBL-D7705	6



1 SECTION VIEW @ ATM TOPPER
 1/4" = 1"

2 CHANNEL DETAIL
 1/2" = 1"

Project Title
BANK OF AMERICA
 MONIGLE APPROVED 08/08/17

Date 02.21.17

AGI EoR M. SMITH
Lead Drafter GLM
Drawn By GLM
Project Mgr. K. GREER

General Sign Specifications

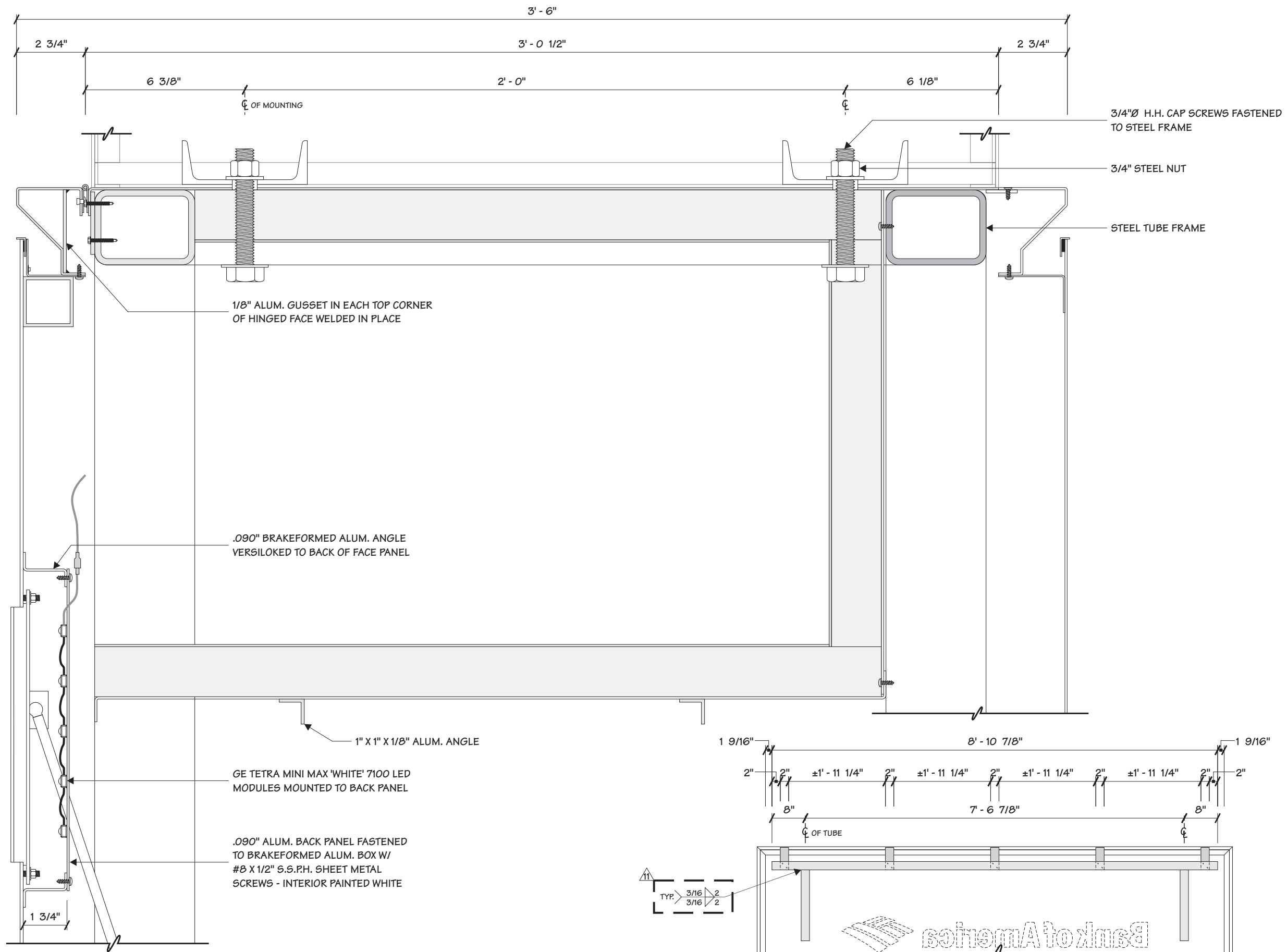
- Interior Exterior
 - Single Faced Double Faced
 - Non-Illuminated
 - Illuminated
- 120 Volts Amps(+/-)

Location _____
Windload _____

Drawing Revisions	Change	Date
MM	UPDATED TO MONIGLE S1, S2, S3 DWG DATED 10.18.17	11.01.17
DLR	ADDED WATRONIX HEATER/AC UNIT	03.29.18
DLR	REMOVED WAYFINDING, CENTERED LOGO & REPLACED INFILL W/ ACM	04.25.18
DLR	MONIDLGE UPDATES	05.23.18
DLR	CORRECTED ROOF AND SHIPPING STAND DIMS.	09.10.18
DLR	ADDED NEW GAS LIFTER DETAILS	09.15.18

This document is the sole property of Architectural Graphics, Inc., and all design, manufacturing, reproduction, use and sale rights regarding the same are expressly forbidden. It is submitted under a confidential relationship, for a special purpose, and the recipient, by accepting this document assumes custody and agrees that this document will not be copied or reproduced in whole or in part, nor its contents revealed in any manner or to any person except for the purpose for which it was tendered, nor any special features peculiar to this design be incorporated in other projects.

Code 6894 **Type** C
Sign Type FRAME-R-EXT-NG-WU-KIO-DBL-D7705 **PG #:** 7



SECTION 1
 1/4" = 1"

HINGED DOOR SUPPORT TUBE DETAIL 2
 1/2" = 1' - 0"

2655 International Parkway
 Virginia Beach, VA 23452

Project Title
BANK OF AMERICA
 MONIGLE APPROVED 08/08/17

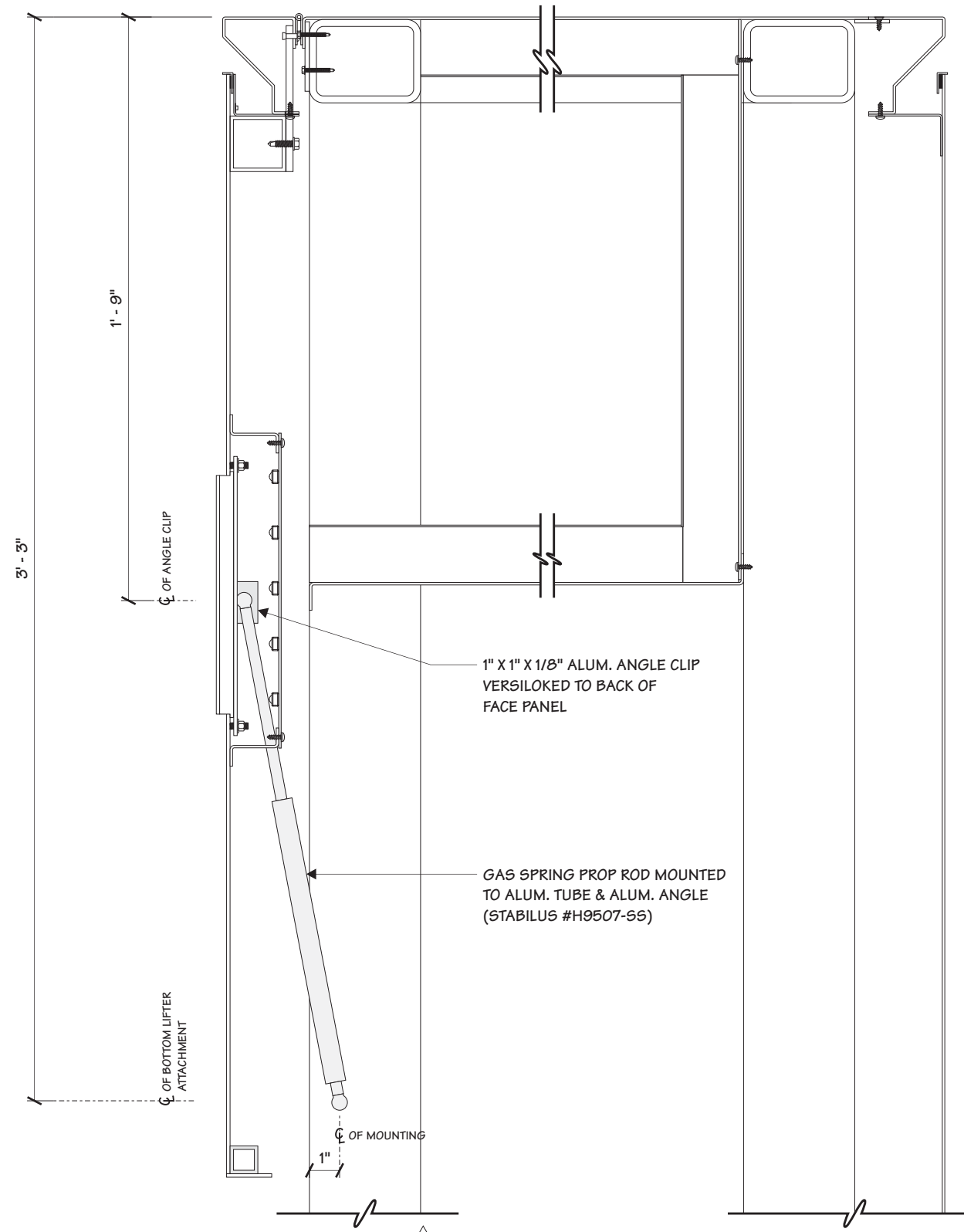
Date 02.21.17

AGI EoR M. SMITH
Lead Drafter GLM
Drawn By GLM
Project Mgr. K. GREER

General Sign Specifications

- Interior Exterior
 - Single Faced Double Faced
 - Non-Illuminated
 - Illuminated
- 120 Volts Amps(+/-)

Location _____
Windload _____



1 **GAS LIFTER DETAIL**
7A 3/16" = 1"

Drawing Revisions	Drawn By	Date	Change
A	MM	11.01.17	UPDATED TO MONIGLE S1, S2, S3 DWG DATED 10.18.17
A	DLR	03.29.18	ADDED WATRONIX HEATER/AC UNIT
A	DLR	04.25.18	REMOVED WAYFINDING, CENTERED LOGO & REPLACED INFILL W/ACM
A	DLR	05.23.18	MONIDLGE UPDATES
A	DLR	09.10.18	CORRECTED ROOF AND SHIPPING STAND DIMS.
A	DLR	09.15.18	ADDED NEW GAS LIFTER DETAILS
A			
A			
A			
A			
A			
A			

This document is the sole property of Architectural Graphics, Inc., and all design, manufacturing, reproduction, use and sale rights regarding the same are expressly forbidden. It is submitted under a confidential relationship, for a special purpose, and the recipient, by accepting this document assumes custody and agrees that this document will not be copied or reproduced in whole or in part, nor its contents revealed in any manner or to any person except for the purpose for which it was tendered, nor any special features peculiar to this design be incorporated in other projects.

Code	Type
6894	C
Sign Type	PG #:
FRAME-R-EXT-NG-WU-KIO-DBL-D7705	7A

General Sign Specifications

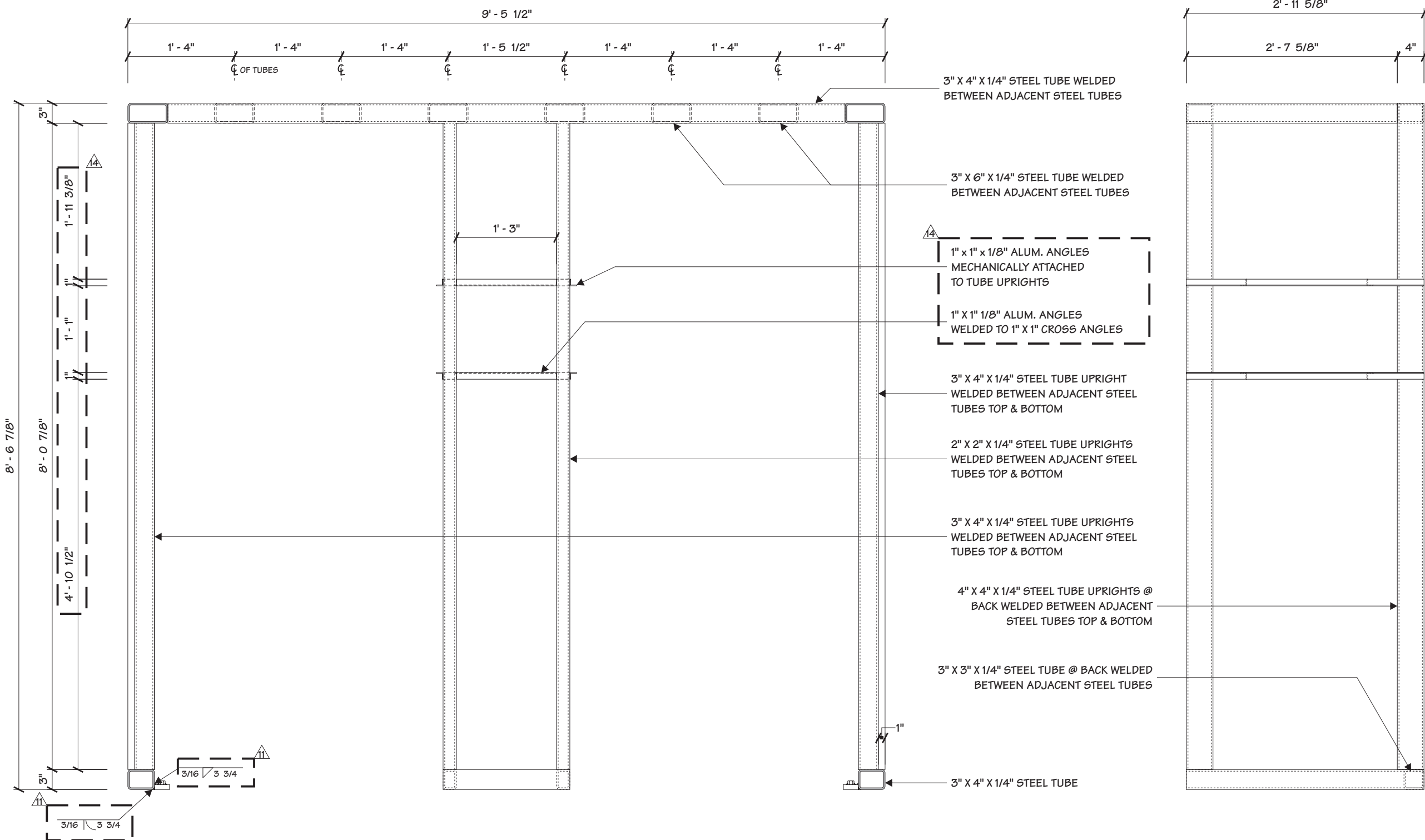
- Interior Exterior
 Single Faced Double Faced
 Non-Illuminated
 Illuminated
 120 Volts Amps(+/-)

Location _____
Windload _____

Drawn By	Date	Change
MM	11.01.17	UPDATED TO MONIGLE S1, S2, S3 DWG DATED 10.18.17
DLR	03.29.18	ADDED WATRONIX HEATER/AC UNIT
DLR	04.25.18	REMOVED WAYFINDING, CENTERED LOGO & REPLACED INFILL W/ACM
DLR	05.23.18	MONIDLGE UPDATES
DLR	09.10.18	CORRECTED ROOF AND SHIPPING STAND DIMS.
DLR	09.15.18	ADDED NEW GAS LIFTER DETAILS

This document is the sole property of Architectural Graphics, Inc., and all design, manufacturing, reproduction, use and sale rights regarding the same are expressly forbidden. It is submitted under a confidential relationship, for a special purpose, and the recipient, by accepting this document assumes custody and agrees that this document will not be copied or reproduced in whole or in part, nor its contents revealed in any manner or to any person except for the purpose for which it was tendered, nor any special features peculiar to this design be incorporated in other projects.

Code	6894	Type	C
Sign Type	FRAME-R-EXT-NG-WU-KIO-DBL-D7705	PG #:	8



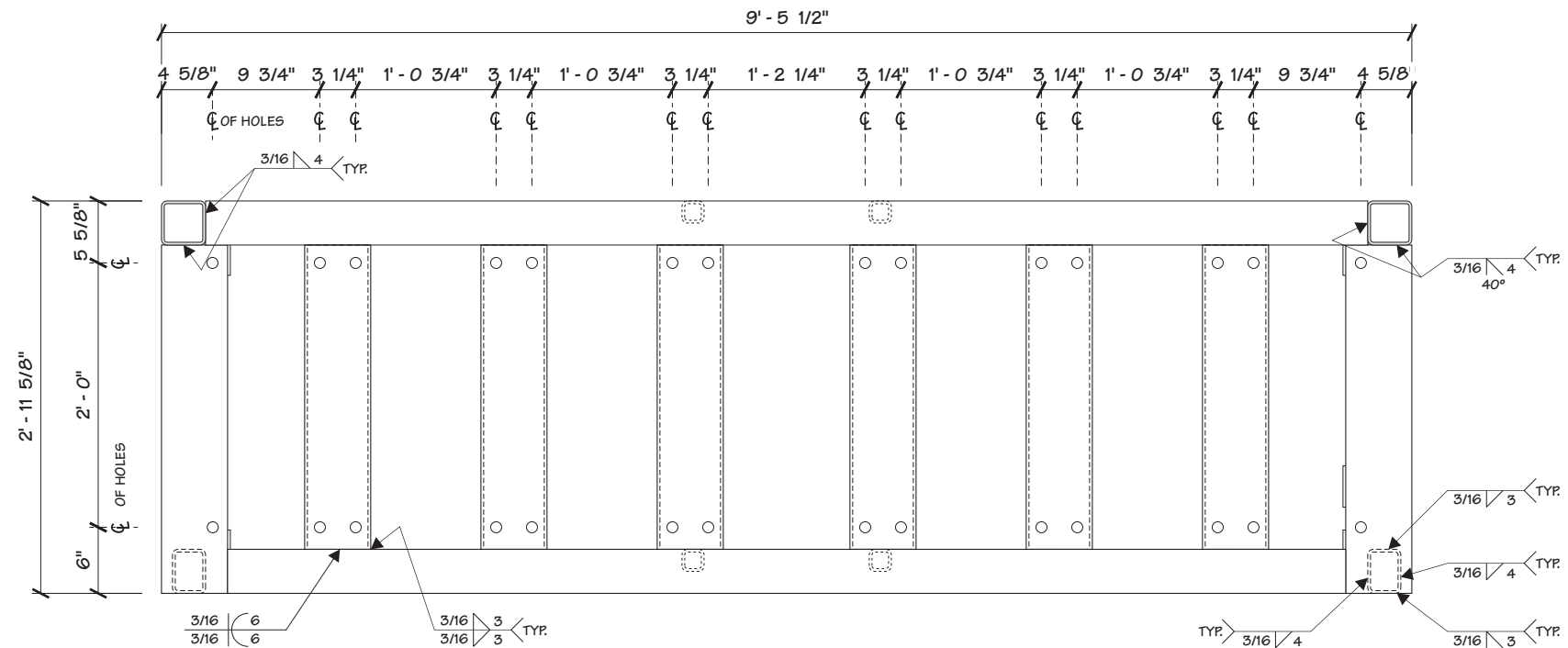
1 STEEL FRAMING - FRONT VIEW
3/4" = 1' - 0"

2 RIGHT SIDE VIEW
3/4" = 1' - 0"

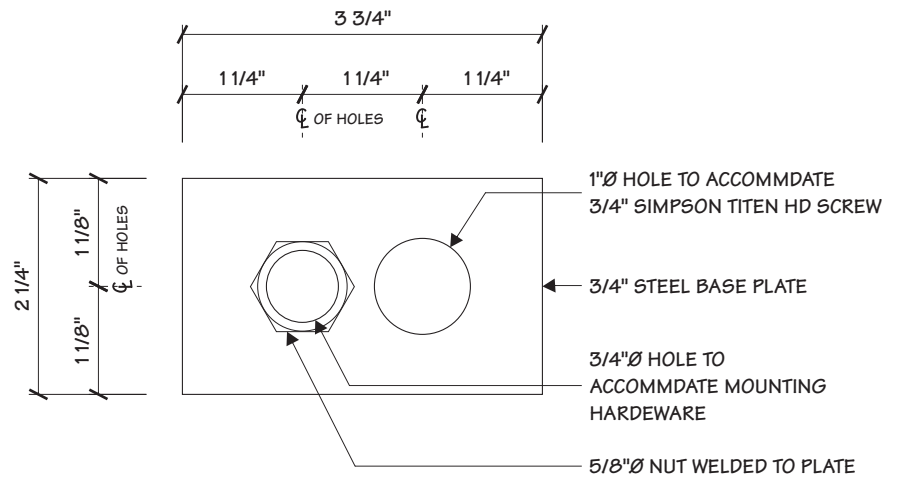
General Sign Specifications

- Interior Exterior
- Single Faced Double Faced
- Non-Illuminated
- Illuminated
 120 Volts _____ Amps(+/-)

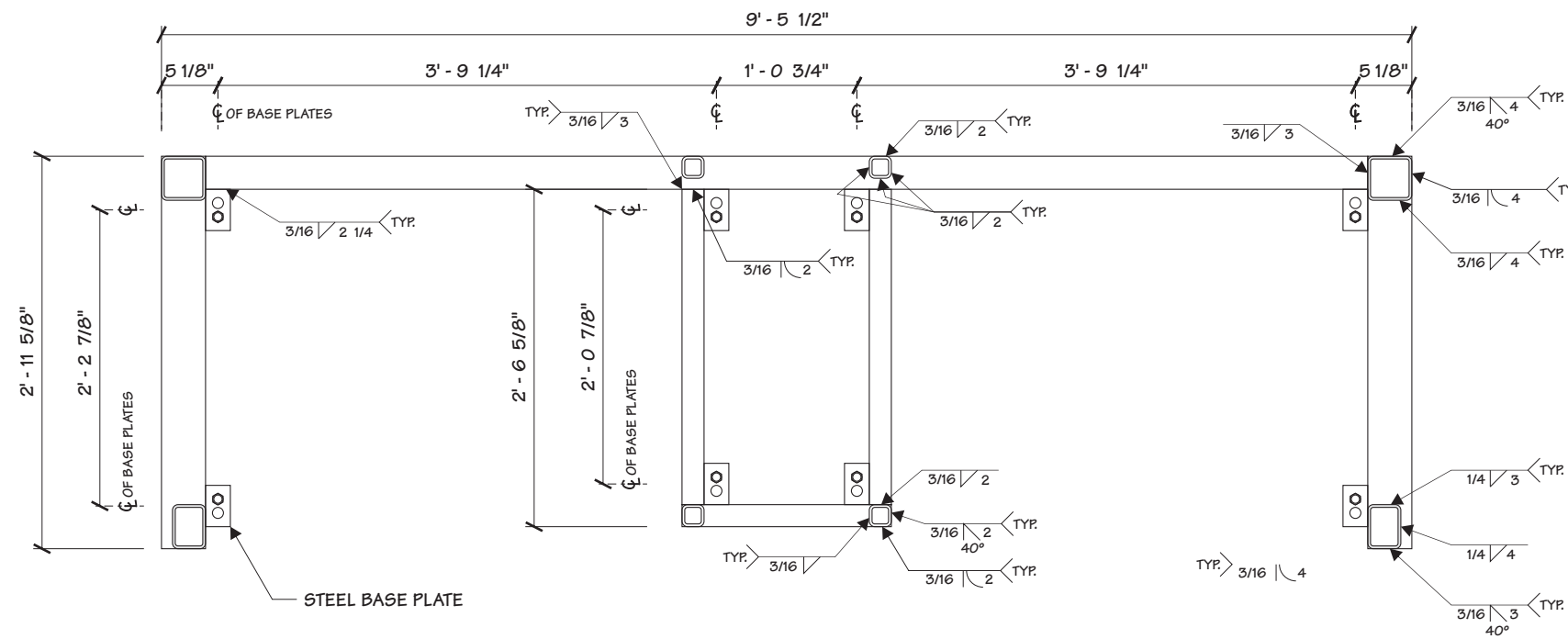
Location _____
Windload _____



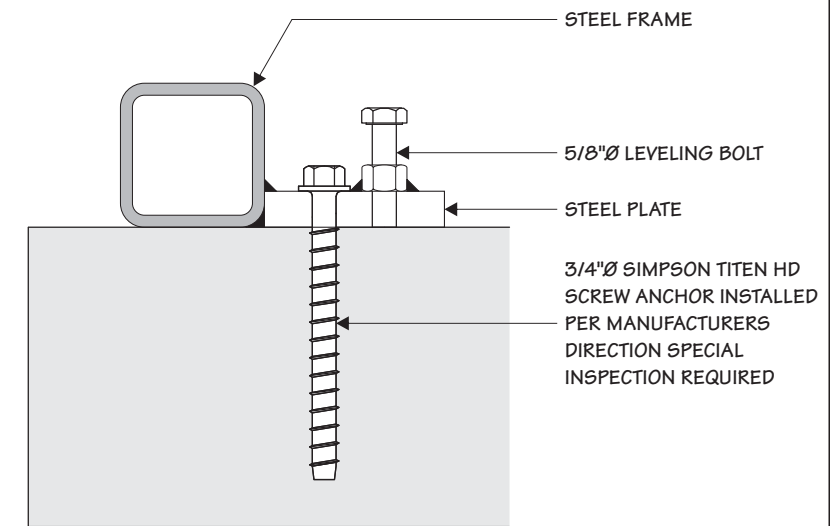
1 PLAN VIEW
 9 3/4" = 1' - 0"



3 BASE PLATE DETAIL
 9 1/2" = 1"



2 SECTION
 9 3/4" = 1' - 0"



4 MOUNTING DETAIL
 9 1/4" = 1"

Change	Date	By	Change
1	11.01.17	MM	UPDATED TO MONIGLE SI, S2, S3 DWG DATED 10.18.17
2	03.29.18	DLR	ADDED WATERPROOF HEATER/AC UNIT
3	04.25.18	DLR	REMOVED WAYFINDING, CENTERED LOGO & REPLACED INFILL W/ACM
4	05.23.18	DLR	MONIDGLE UPDATES
5	09.10.18	DLR	CORRECTED ROOF AND SHIPPING STAND DIMS.
6	09.15.18	DLR	ADDED NEW GAS LIFTER DETAILS

This document is the sole property of Architectural Graphics, Inc., and all design, manufacturing, reproduction, use and sale rights regarding the same are expressly forbidden. It is submitted under a confidential relationship, for a special purpose, and the recipient, by accepting this document assumes custody and agrees that this document will not be copied or reproduced in whole or in part, nor its contents revealed in any manner or to any person except for the purpose for which it was tendered, nor any special features peculiar to this design be incorporated in other projects.

Code 6894 **Type** C

Sign Type FRAME-R-EXT-NG-WU-KIO-DBL-D7705 **PG #:** 9

General Sign Specifications

- Interior Exterior
- Single Faced Double Faced
- Non-Illuminated
- Illuminated
 120 Volts Amps(+/-)

Location _____
Windload _____

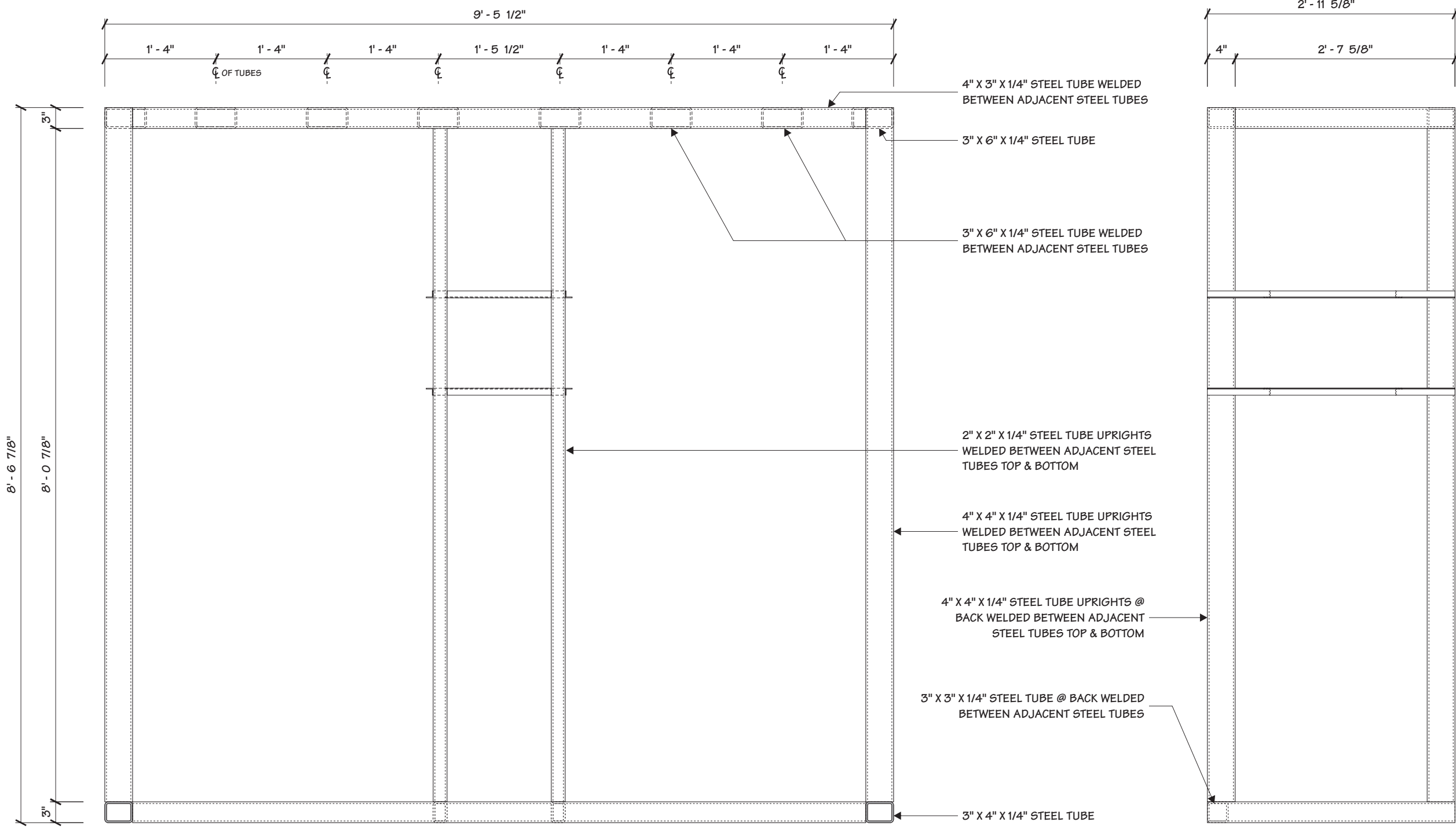
Drawing Revisions	Drawn By	Date	Change
	MM	11.01.17	UPDATED TO MONIGLE S1, S2, S3 DWG DATED 10.18.17
	DLR	03.29.18	ADDED WATRONIX HEATER/AC UNIT
	DLR	04.25.18	REMOVED WAYFINDING, CENTERED LOGO & REPLACED INFILL W/ ACM
	DLR	05.23.18	MONIDLGE UPDATES
	DLR	09.10.18	CORRECTED ROOF AND SHIPPING STAND DIMS.
	DLR	09.15.18	ADDED NEW GAS LIFTER DETAILS

This document is the sole property of Architectural Graphics, Inc., and all design, manufacturing, reproduction, use and sale rights regarding the same are expressly forbidden. It is submitted under a confidential relationship, for a special purpose, and the recipient, by accepting this document assumes custody and agrees that this document will not be copied or reproduced in whole or in part, nor its contents revealed in any manner or to any person except for the purpose for which it was tendered, nor any special features peculiar to this design be incorporated in other projects.

Code	6894	Type	C
-------------	------	-------------	---

Sign Type	FRAME-R-EXT-NG-WU-KIO-DBL-D7705	PG #:	10
------------------	---------------------------------	--------------	----

2655 International Parkway
 Virginia Beach, VA 23452



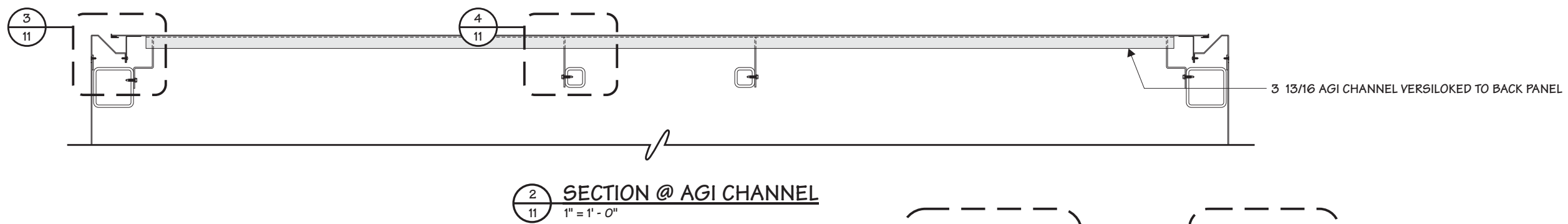
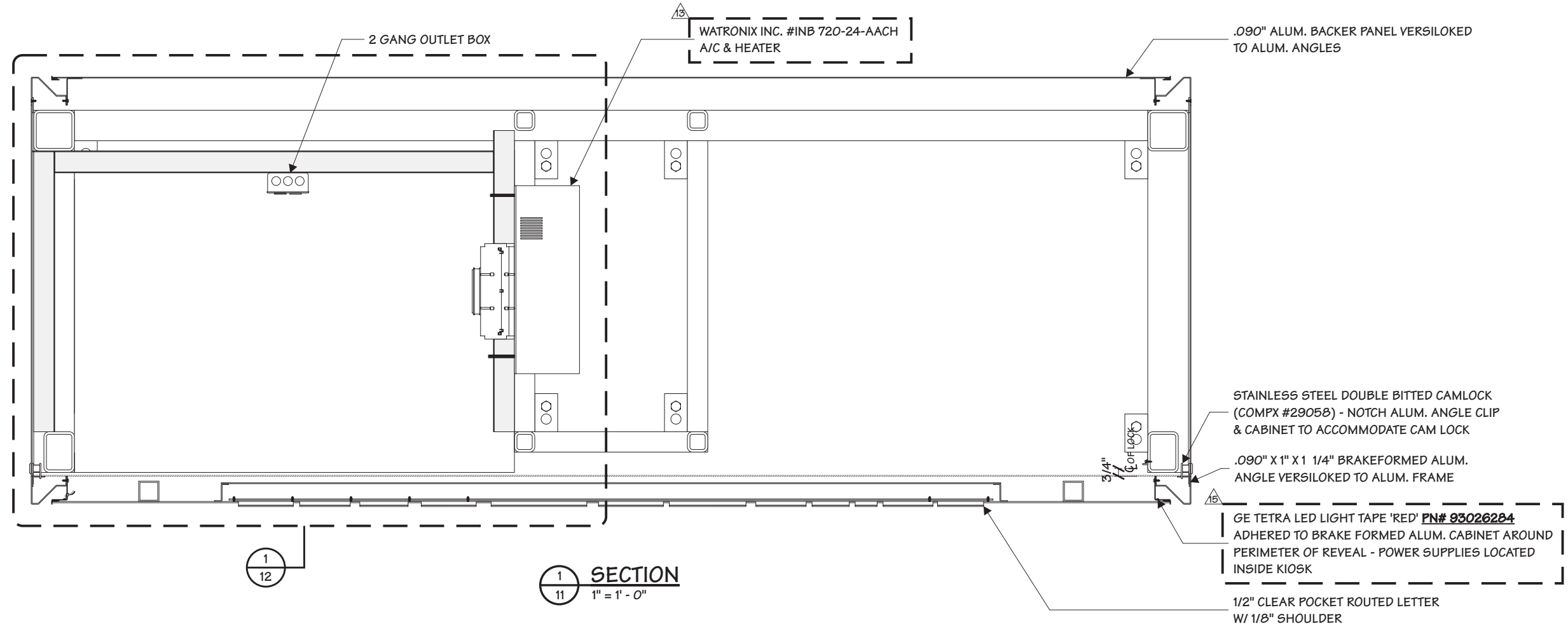
1 STEEL FRAMING - REAR VIEW
 3/4" = 1' - 0"

2 RIGHT SIDE VIEW
 3/4" = 1' - 0"

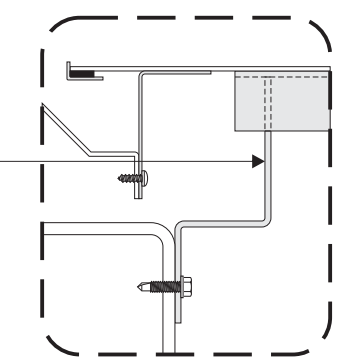
General Sign Specifications

- Interior Exterior
 Single Faced Double Faced
 Non-Illuminated
 Illuminated
 120 Volts _____ Amps(+/-)

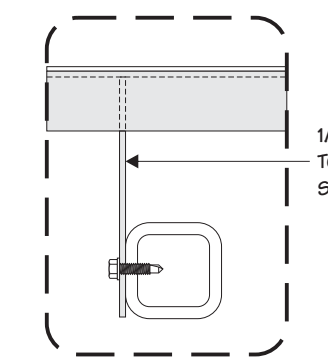
Location _____
Windload _____



1/8" BRAKE FORMED ALUM. BRACKET WELDED TO CHANNEL AND FASTENED TO STEEL W/ # 12 SELF DRILLING SCREW



1/8" X 5" LONG ALUM PLATE WELDED TO CHANNEL AND FASTENED TO STEEL W/ # 12 SELF DRILLING SCREW



Drawing Revisions	Drawn By	Date	Change
	MM	11.01.17	UPDATED TO MONIGLE SI, S2, S3 DWG DATED 10.18.17
	DLR	03.29.18	ADDED WATRONIX HEATER/A/C UNIT
	DLR	04.25.18	REMOVED WAYFINDING, CENTERED LOGO & REPLACED INFILL W/ ACM
	DLR	05.23.18	MONIDLGE UPDATES
	DLR	09.10.18	CORRECTED ROOF AND SHIPPING STAND DIMS.
	DLR	09.15.18	ADDED NEW GAS LIFTER DETAILS

This document is the sole property of Architectural Graphics, Inc., and all design, manufacturing, reproduction, use and sale rights regarding the same are expressly forbidden. It is submitted under a confidential relationship, for a special purpose, and the recipient, by accepting this document assumes custody and agrees that this document will not be copied or reproduced in whole or in part, nor its contents revealed in any manner or to any person except for the purpose for which it was tendered, nor any special features peculiar to this design be incorporated in other projects.

Code	6894	Type	C
Sign Type	FRAME-R-EXT-NG-WU-KIO-DBL-D7705	PG #:	11

General Sign Specifications

- Interior Exterior
- Single Faced Double Faced
- Non-Illuminated
- Illuminated
- 120 Volts Amps(+/-)

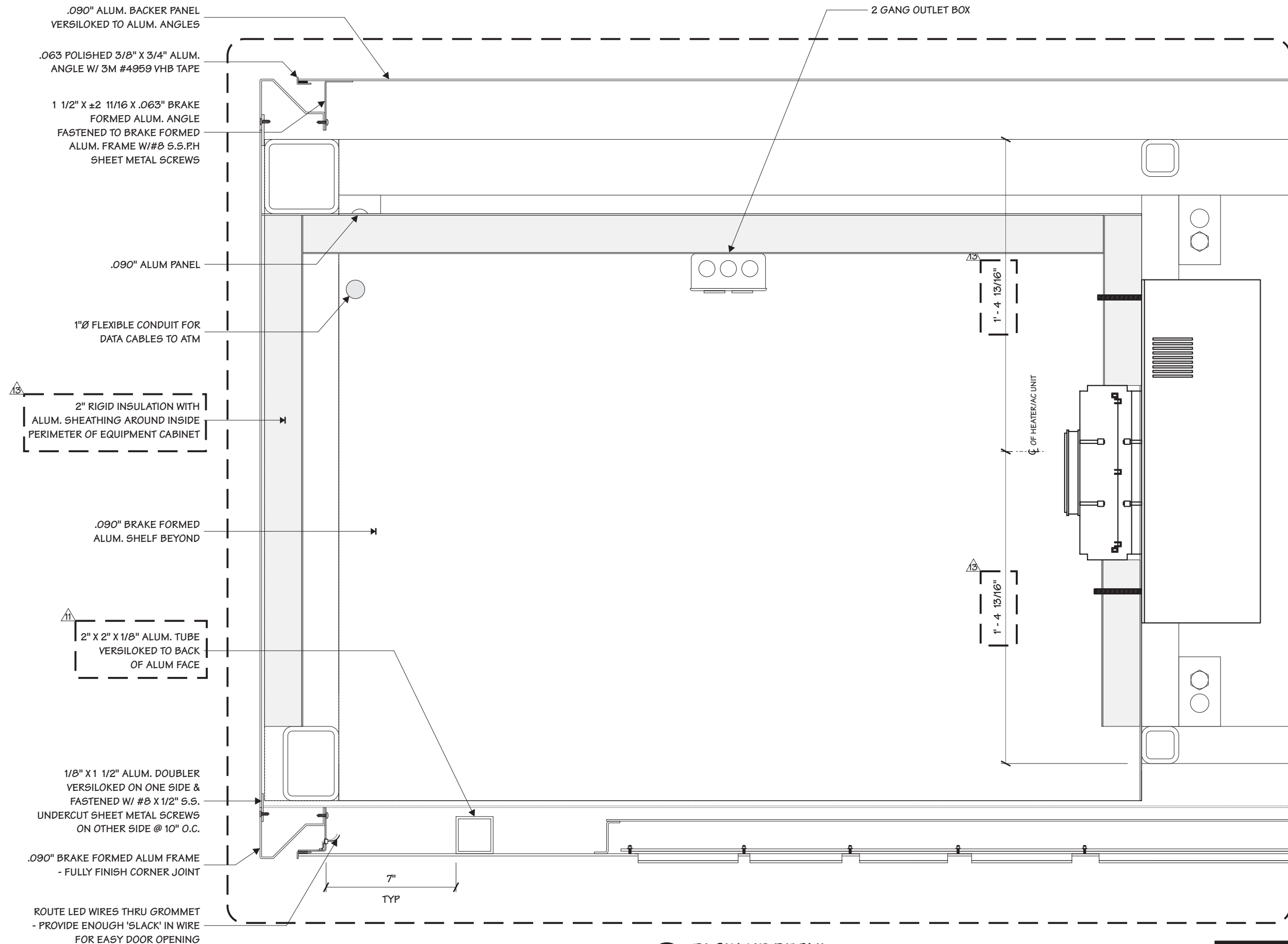
Location _____
Windload _____

Drawing Revisions	Date	Change
MM	11.01.17	UPDATED TO MONIGLE S1, S2, S3 DWG DATED 10.18.17
DLR	03.29.18	ADDED WATRONIX HEATER/AC UNIT
DLR	04.25.18	REMOVED WAYFINDING, CENTERED LOGO & REPLACED INFILL W/ ACM
DLR	05.23.18	MONIDLGE UPDATES
DLR	09.10.18	CORRECTED ROOF AND SHIPPING STAND DIMS.
DLR	09.15.18	ADDED NEW GAS LIFTER DETAILS
DLR		
DLR		
DLR		
DLR		

This document is the sole property of Architectural Graphics, Inc., and all design, manufacturing, reproduction, use and sale rights regarding the same are expressly forbidden. It is submitted under a confidential relationship, for a special purpose, and the recipient, by accepting this document assumes custody and agrees that this document will not be copied or reproduced in whole or in part, nor its contents revealed in any manner or to any person except for the purpose for which it was tendered, nor any special features peculiar to this design be incorporated in other projects.

Code 6894 **Type** C

Sign Type FRAME-R-EXT-NG-WU-KIO-DBL-D7705 **PG #:** 12



1 BLOW-UP DETAIL
12 3/16" = 1"

Project Title
BANK OF AMERICA
 MONIGLE APPROVED 08/08/17

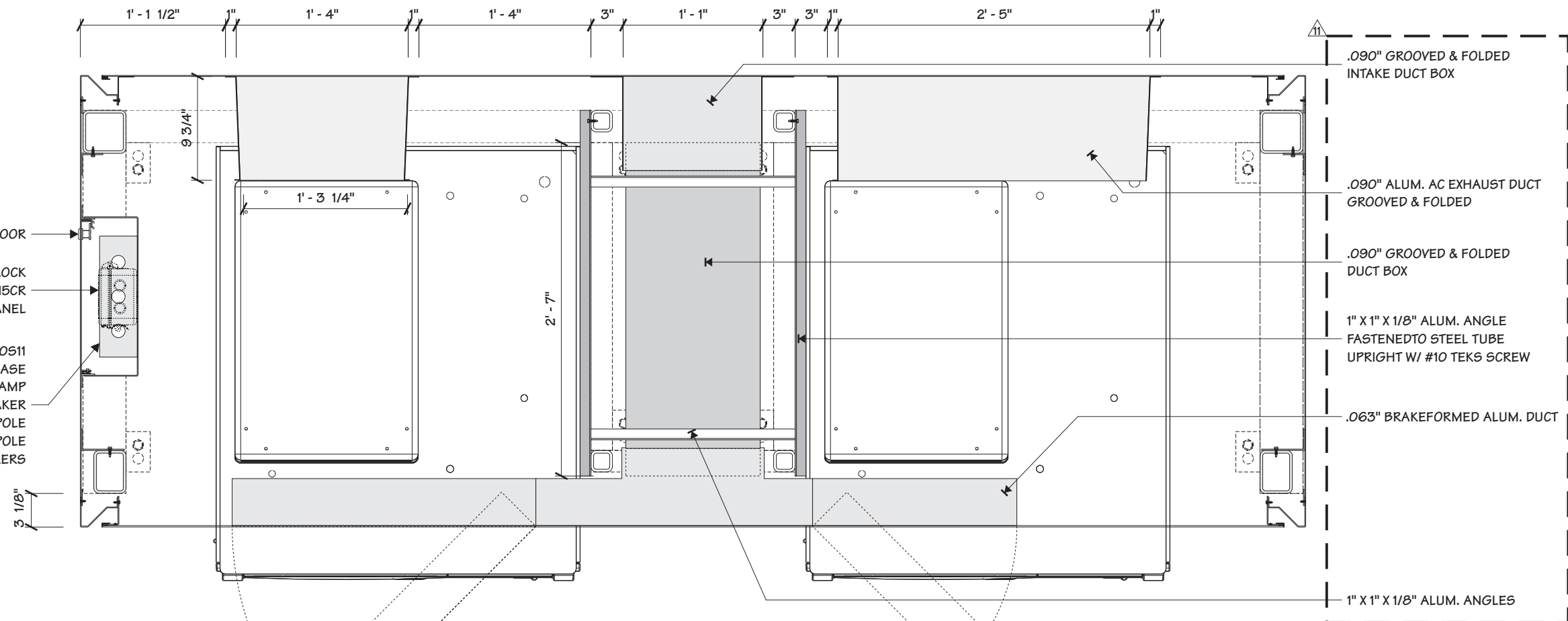
Date 02.21.17

AGI EoR M. SMITH
Lead Drafter GLM
Drawn By GLM
Project Mgr. K. GREER

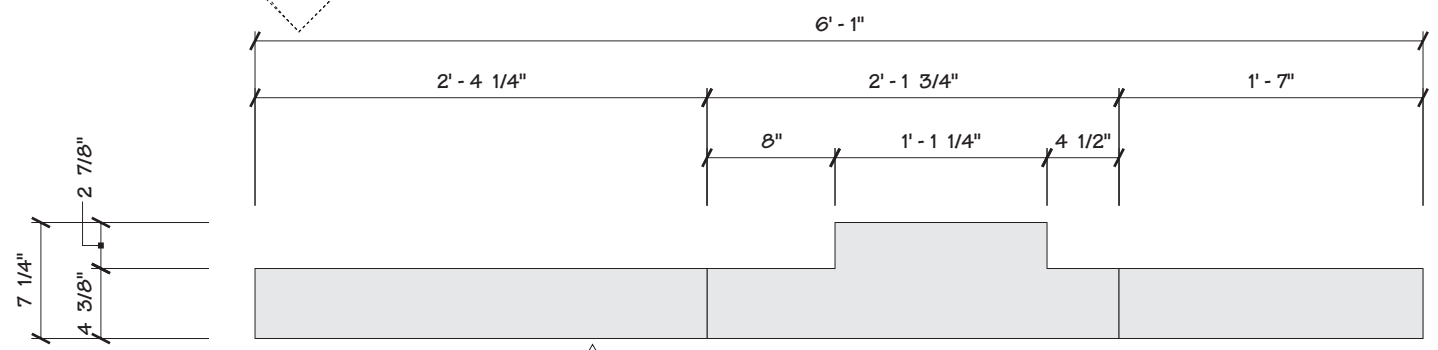
General Sign Specifications

- Interior Exterior
- Single Faced Double Faced
- Non-Illuminated
- Illuminated
- 120 Volts Amps(+/-)

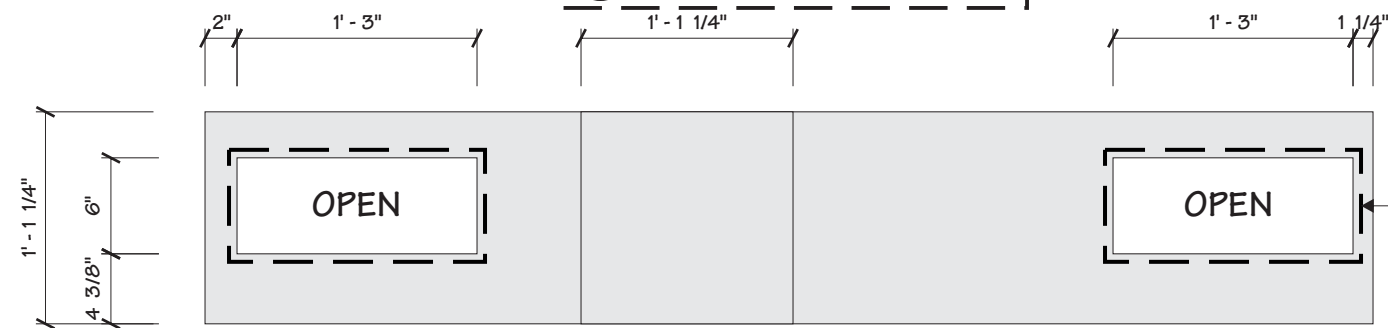
Location _____
Windload _____



1 PLAN SECTION @ DUCTWORK
 13 1" = 1'-0"



2 DUCTWORK PLAN VIEW
 13 1" = 1'-0"



3 DUCTWORK REAR ELEVATION
 13 1" = 1'-0"

Drawing Revisions	Drawn By	Date	Change
	MM	11.01.17	UPDATED TO MONIGLE S1, S2, S3 DWG DATED 10.18.17
	DLR	03.29.18	ADDED WATERMARK HEATER/AC UNIT
	DLR	04.25.18	REMOVED WAYFINDING, CENTERED LOGO & REPLACED INFILL W/ ACM
	DLR	05.23.18	MONIDLGE UPDATES
	DLR	09.10.18	CORRECTED ROOF AND SHIPPING STAND DIMS.
	DLR	09.15.18	ADDED NEW GAS LIFTER DETAILS

This document is the sole property of Architectural Graphics, Inc., and all design, manufacturing, reproduction, use and sale rights regarding the same are expressly forbidden. It is submitted under a confidential relationship, for a special purpose, and the recipient, by accepting this document assumes custody and agrees that this document will not be copied or reproduced in whole or in part, nor its contents revealed in any manner or to any person except for the purpose for which it was tendered, nor any special features peculiar to this design be incorporated in other projects.

Code	6894	Type	C
Sign Type	FRAME-R-EXT-NG-WU-KIO-DBL-D7705	PG #:	13

General Sign Specifications

- Interior Exterior
- Single Faced Double Faced
- Non-Illuminated
- Illuminated
- 120 Volts Amps(+/-)

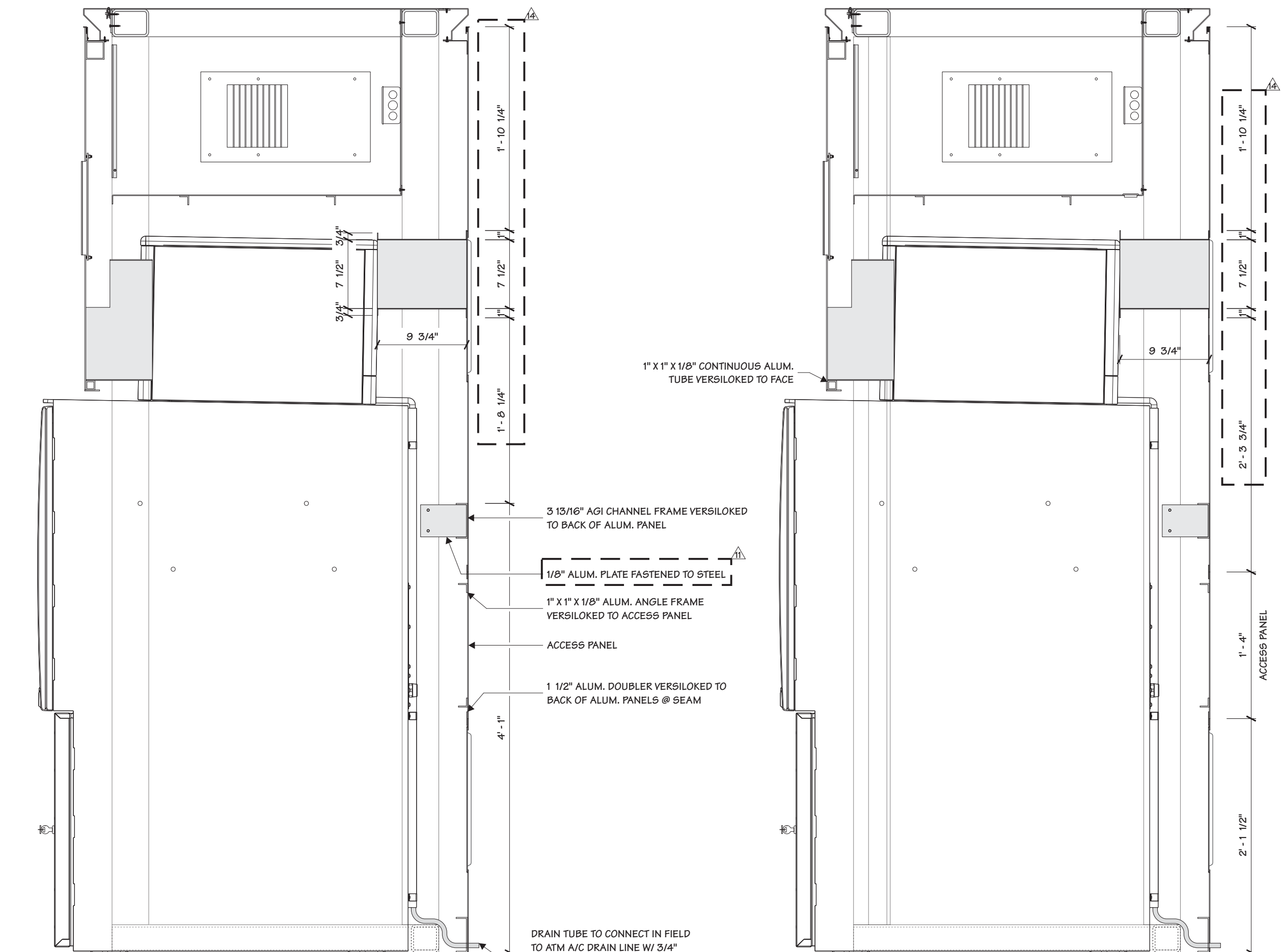
Location _____
Windload _____

Drawing Revisions	Change
MM	11.01.17 UPDATED TO MONIGLE S1, S2, S3 DWG DATED 10.18.17
DLR	03.29.18 ADDED WATER/HEATER/AC UNIT
DLR	04.25.18 REMOVED WAYFINDING, CENTERED LOGO & REPLACED INFILL W/ ACM
DLR	05.23.18 MONIDLGE UPDATES
DLR	09.10.18 CORRECTED ROOF AND SHIPPING STAND DIMS.
DLR	09.15.18 ADDED NEW GAS LIFTER DETAILS

This document is the sole property of Architectural Graphics, Inc., and all design, manufacturing, reproduction, use and sale rights regarding the same are expressly forbidden. It is submitted under a confidential relationship, for a special purpose, and the recipient, by accepting this document assumes custody and agrees that this document will not be copied or reproduced in whole or in part, nor its contents revealed in any manner or to any person except for the purpose for which it was tendered, nor any special features peculiar to this design be incorporated in other projects.

Code 6894 **Type** C

Sign Type FRAME-R-EXT-NG-WU-KIO-DBL-D7705 **PG #:** 14



1 SECTION @ EXHAUST DUCT
 1/14 3/32" = 1"

2 SECTION @ EXHAUST DUCT
 2/14 3/32" = 1"

General Sign Specifications

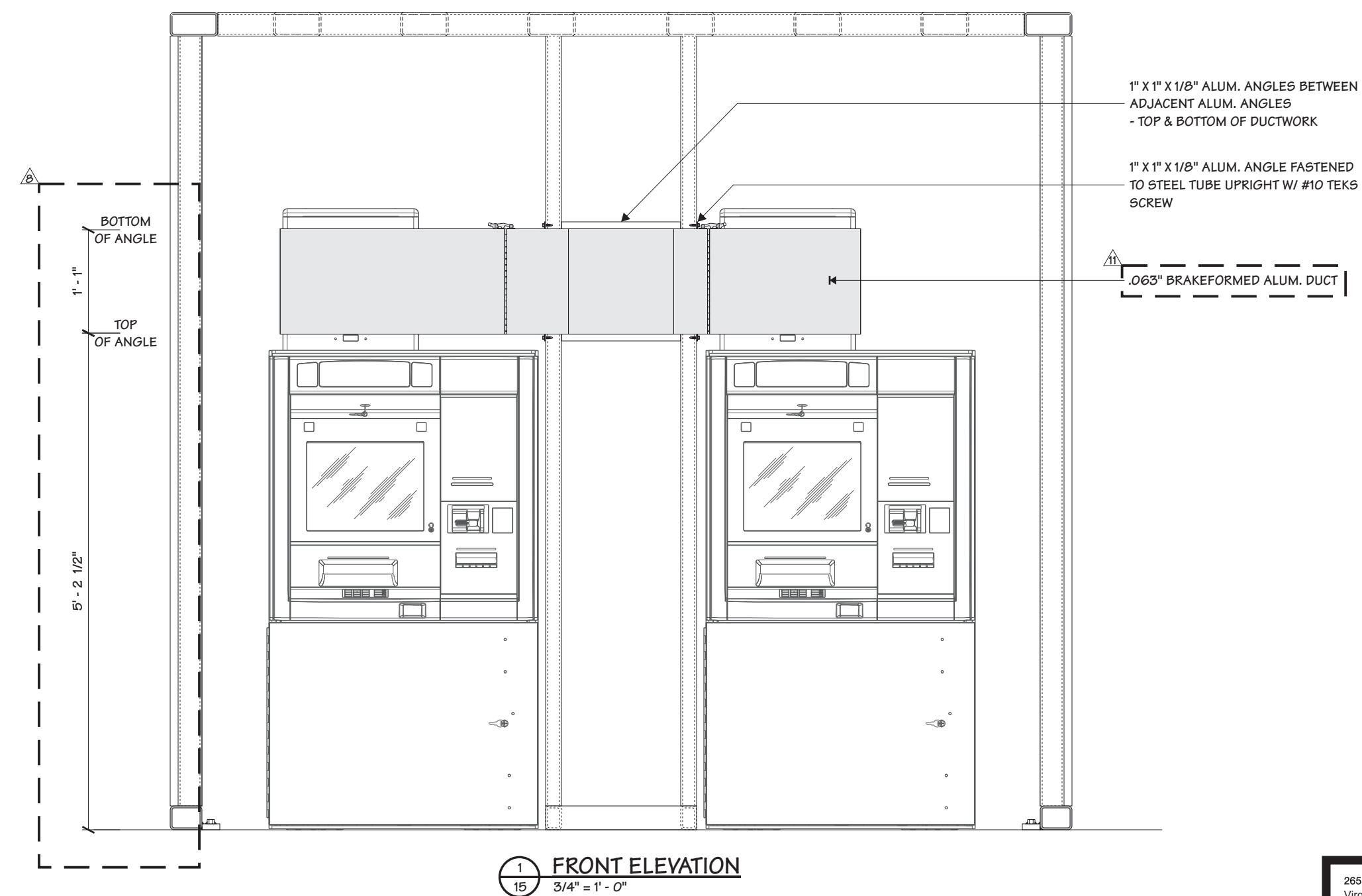
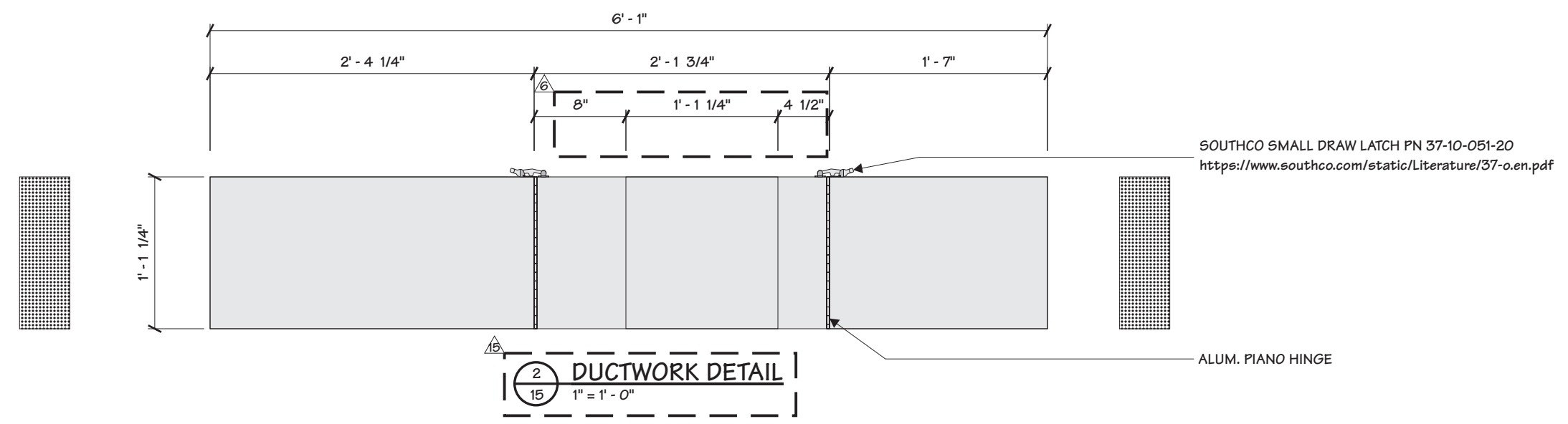
- Interior Exterior
 - Single Faced Double Faced
 - Non-Illuminated
 - Illuminated
- 120 Volts Amps(+/-)

Location _____
Windload _____

Change	Date	By	Change
11.01.17	MM	UPDATED TO MONIGLE S1, S2, S3 DWG DATED 10.18.17	
03.29.18	DLR	ADDED WATRONIX HEATER/AC UNIT	
04.25.18	DLR	REMOVED WAYFINDING, CENTERED LOGO & REPLACED INFILL W/ ACM	
05.23.18	DLR	MONIDLGE UPDATES	
09.10.18	DLR	CORRECTED ROOF AND SHIPPING STAND DIMS.	
09.15.18	DLR	ADDED NEW GAS LIFTER DETAILS	

This document is the sole property of Architectural Graphics, Inc., and all design, manufacturing, reproduction, use and sale rights regarding the same are expressly forbidden. It is submitted under a confidential relationship, for a special purpose, and the recipient, by accepting this document assumes custody and agrees that this document will not be copied or reproduced in whole or in part, nor its contents revealed in any manner or to any person except for the purpose for which it was tendered, nor any special features peculiar to this design be incorporated in other projects.

Code	Type
6894	C
Sign Type	PG #:
FRAME-R-EXT-NG-WU-KIO-DBL-D7705	15



General Sign Specifications

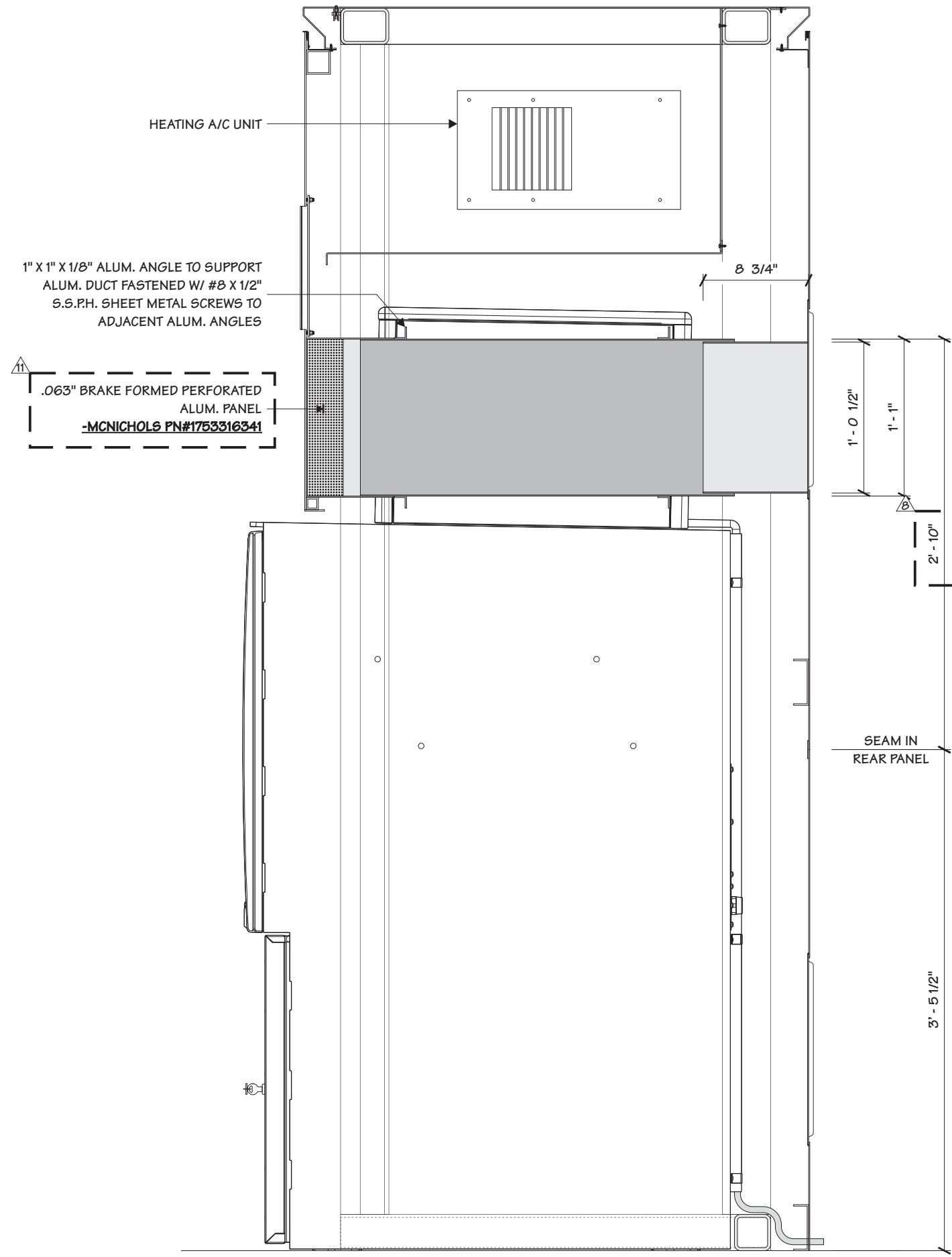
- Interior Exterior
 - Single Faced Double Faced
 - Non-Illuminated
 - Illuminated
- 120 Volts Amps(+/-)

Location _____
Windload _____

Drawing Revisions	Drawn By	Date	Change
A	MM	11.01.17	UPDATED TO MONIGLE S1, S2, S3 DWG DATED 10.18.17
A	DLR	03.29.18	ADDED WATRONIX HEATER/AC UNIT
A	DLR	04.25.18	REMOVED WAYFINDING, CENTERED LOGO & REPLACED INFILL W/ ACM
A	DLR	05.23.18	MONIDLGE UPDATES
A	DLR	09.10.18	CORRECTED ROOF AND SHIPPING STAND DIMS.
A	DLR	09.15.18	ADDED NEW GAS LIFTER DETAILS
A			
A			
A			
A			
A			
A			

This document is the sole property of Architectural Graphics, Inc., and all design, manufacturing, reproduction, use and sale rights regarding the same are expressly forbidden. It is submitted under a confidential relationship, for a special purpose, and the recipient, by accepting this document assumes custody and agrees that this document will not be copied or reproduced in whole or in part, nor its contents revealed in any manner or to any person except for the purpose for which it was tendered, nor any special features peculiar to this design be incorporated in other projects.

Code 6894	Type C
Sign Type FRAME-R-EXT-NG-WU-KIO-DBL-D7705	PG #: 16



1 SECTION @ INTAKE DUCT
 16 3/32" = 1"

General Sign Specifications

- Interior Exterior
 Single Faced Double Faced
 Non-Illuminated
 Illuminated
 120 Volts Amps(+/-)

Location _____
Windload _____

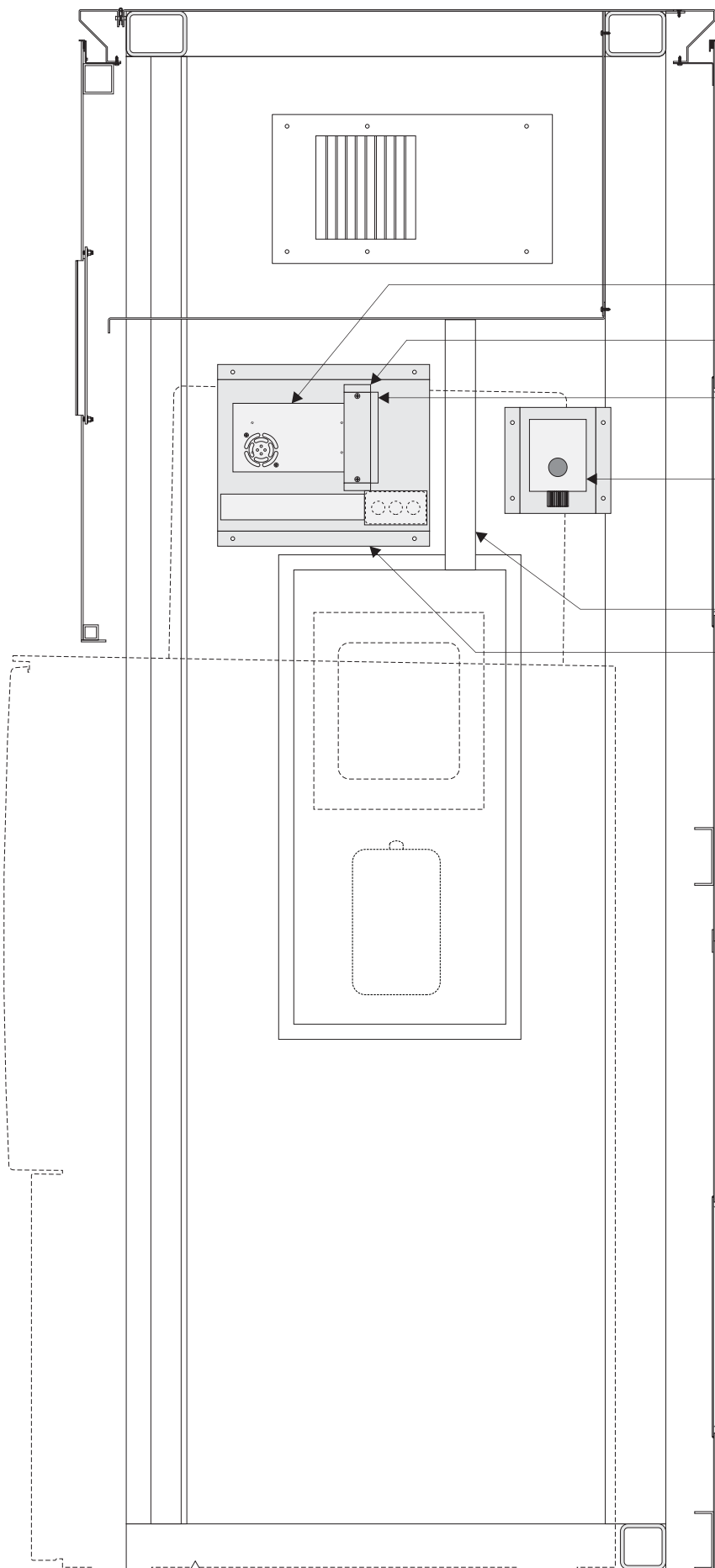
Drawing Revisions		Change
Drawn By	Date	
MM	11.01.17	UPDATED TO MONIGLE S1, S2, S3 DWG DATED 10.18.17
DLR	03.29.18	ADDED WATRONIX HEATER/AC UNIT
DLR	04.25.18	REMOVED WAYFINDING, CENTERED LOGO & REPLACED INFILL W/ ACM
DLR	05.23.18	MONIDLGE UPDATES
DLR	09.10.18	CORRECTED ROOF AND SHIPPING STAND DIMS.
DLR	09.15.18	ADDED NEW GAS LIFTER DETAILS

This document is the sole property of Architectural Graphics, Inc., and all design, manufacturing, reproduction, use and sale rights regarding the same are expressly forbidden. It is submitted under a confidential relationship, for a special purpose, and the recipient, by accepting this document assumes custody and agrees that this document will not be copied or reproduced in whole or in part, nor its contents revealed in any manner or to any person except for the purpose for which it was tendered, nor any special features peculiar to this design be incorporated in other projects.

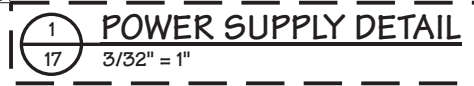
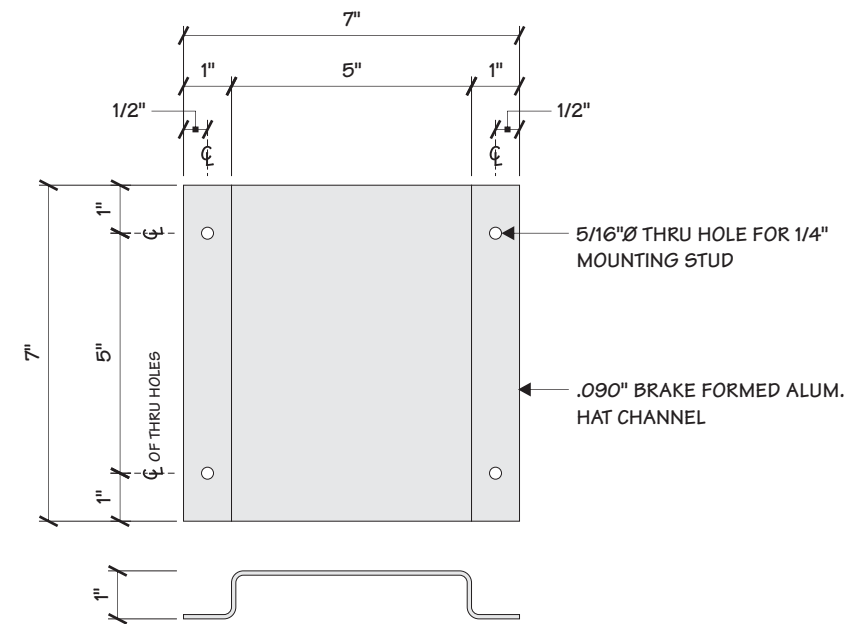
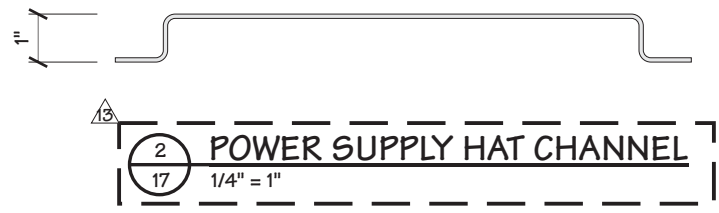
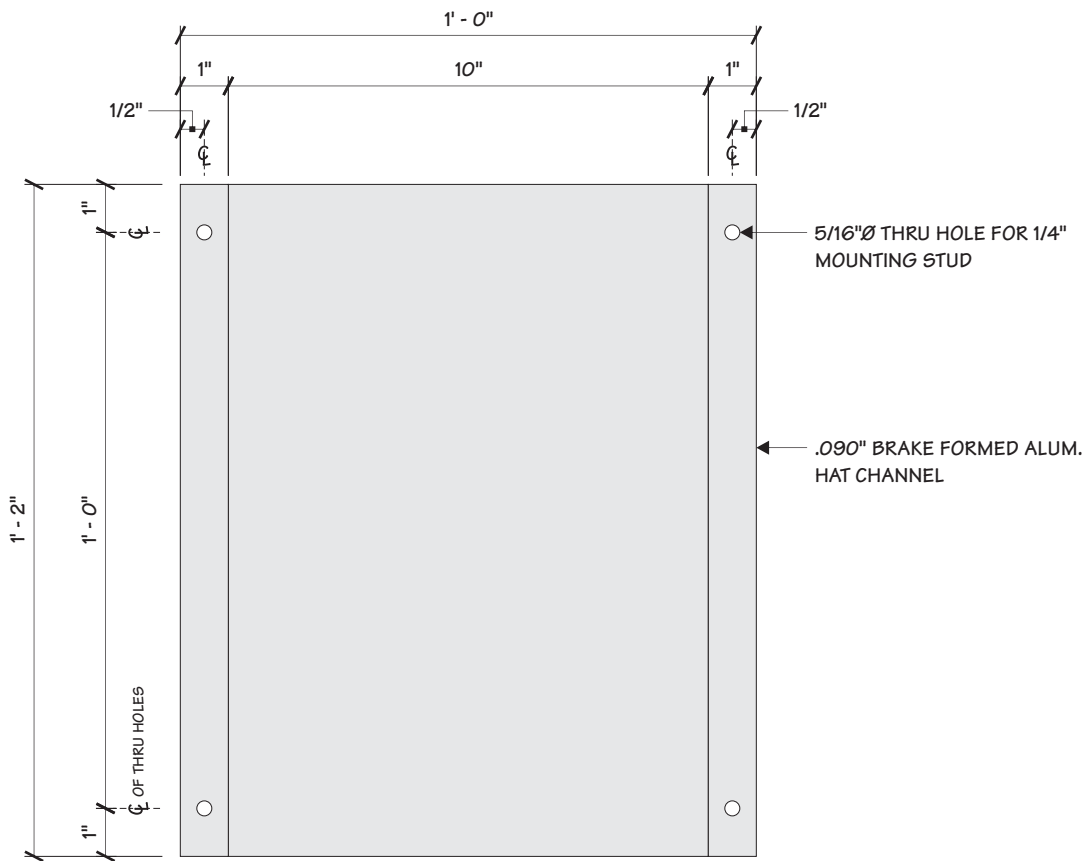
Code 6894 **Type** C

Sign Type FRAME-R-EXT-NG-WU-KIO-DBL-D7705 **PG #:** 17

2655 International Parkway
 Virginia Beach, VA 23452



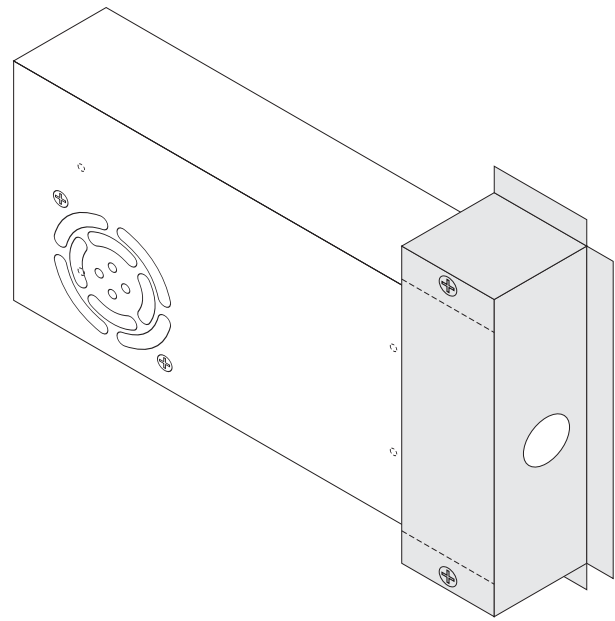
- HEATING/AC UNIT POWER SUPPLY (MEAN WELL #RSP-320-24)
- BRAKE FORMED ALUM. TERMINAL COVER
- BRAKE FORMED ALUM. POWER SUPPLY HAT CHANNEL ATTACHED TO CABINET W/ 1/4" ALUM. STUDS SHOT WELDED TO WALL
- WEATHERPROOF LINE VOLTAGE GREEN HOUSE THERMOSTAT (KKONTROLS.COM #KJ16110) ON BRAKE FORMED ALUM. HAT CHANNEL ATTACHED TO CABINET W/ 1/4" ALUM. STUDS SHOT WELDED TO WALL
- FORMED ALUM. WIREWAY
- TETRA LED POWER SUPPLY (GE #GEP512-60U-NA) W/ J-BOX



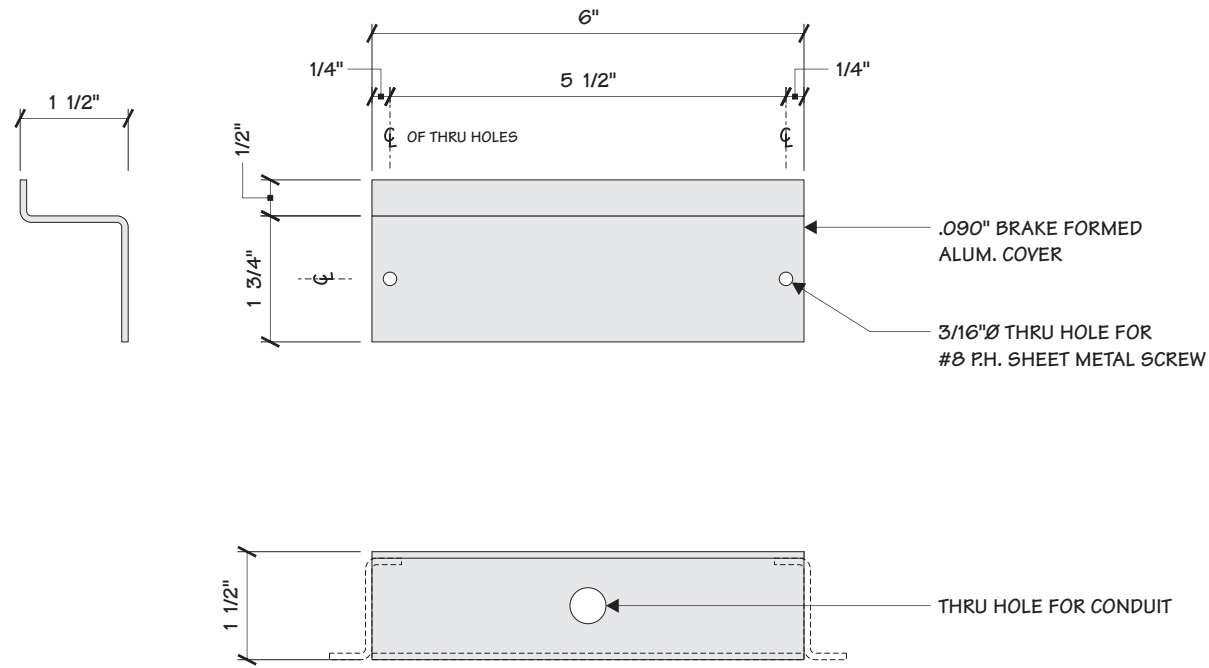
General Sign Specifications

- Interior Exterior
- Single Faced Double Faced
- Non-Illuminated
- Illuminated
- 120 Volts _____ Amps(+/-)

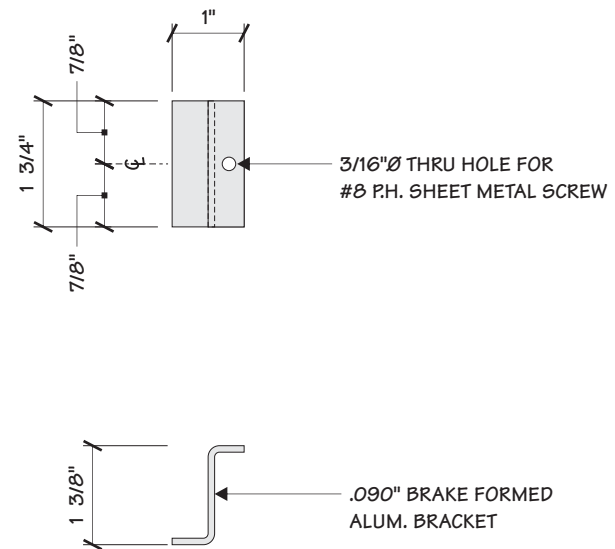
Location _____
Windload _____



1
18 **TERMINAL COVER ISOMETRIC**
 N.T.S.



2
18 **TERMINAL COVER**
 3/8" = 1"



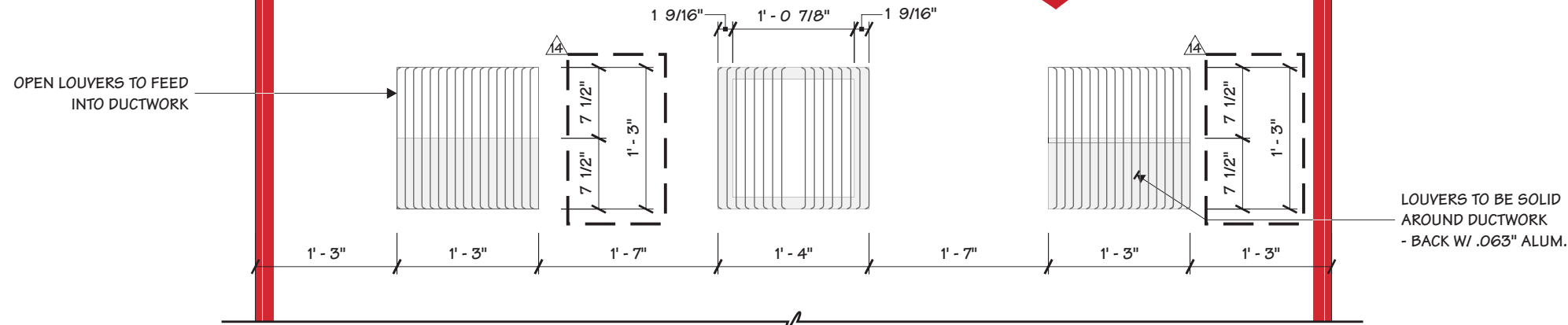
3
18 **TERMINAL COVER BRACKET**
 3/8" = 1"

Change	Date	Drawn By	Change
UPDATED TO MONIGLE SI, S2, S3 DWG DATED 10.18.17	11.01.17	MM	
ADDED WATRONIX HEATER/AC UNIT	03.29.18	DLR	
REMOVED WAYFINDING, CENTERED LOGO & REPLACED INFILL W/ ACM	04.25.18	DLR	
MONIDLGE UPDATES	05.23.18	DLR	
CORRECTED ROOF AND SHIPPING STAND DIMS.	09.10.18	DLR	
ADDED NEW GAS LIFTER DETAILS	09.15.18	DLR	

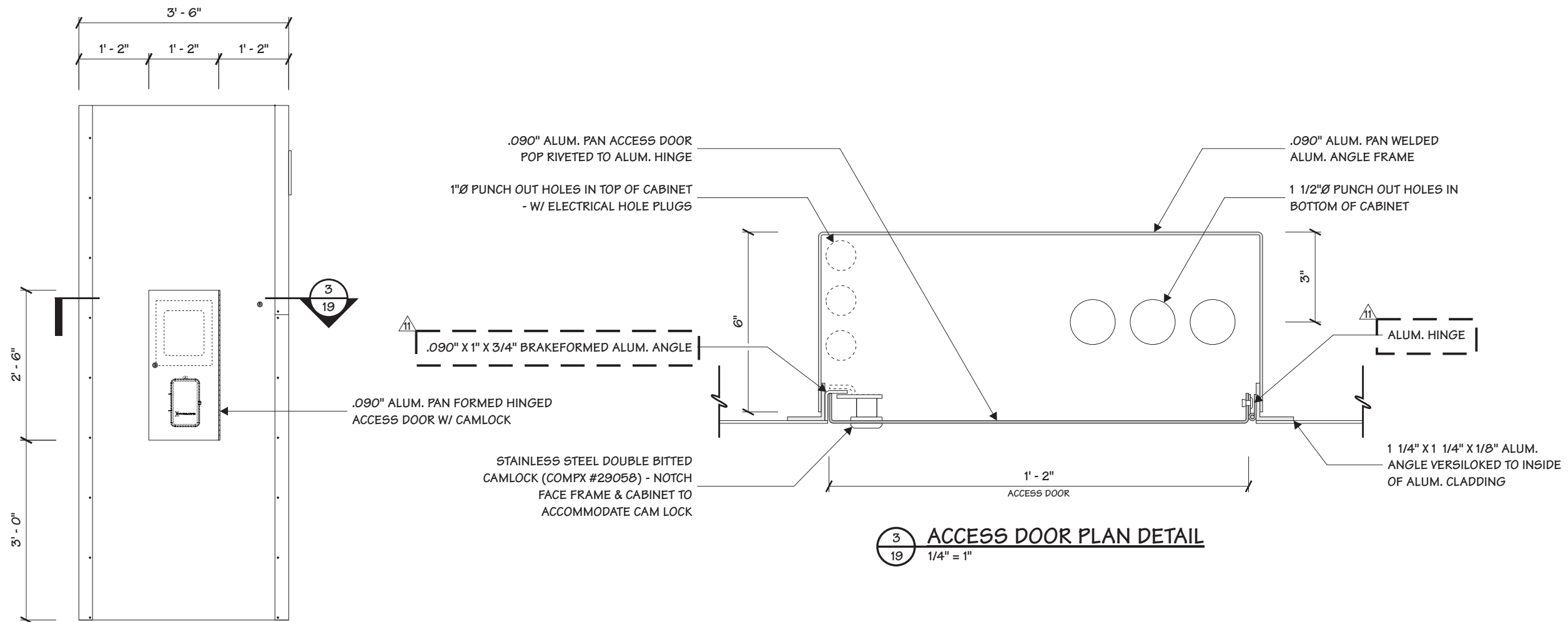
This document is the sole property of Architectural Graphics, Inc., and all design, manufacturing, reproduction, use and sale rights regarding the same are expressly forbidden. It is submitted under a confidential relationship, for a special purpose, and the recipient, by accepting this document assumes custody and agrees that this document will not be copied or reproduced in whole or in part, nor its contents revealed in any manner or to any person except for the purpose for which it was tendered, nor any special features peculiar to this design be incorporated in other projects.

Code	Type
6894	C
Sign Type	PG #:
FRAME-R-EXT-NG-WU-KIO-DBL-D7705	18

Bank of America



1 REAR ELEVATION
19 3/4" = 1' - 0"



3 ACCESS DOOR PLAN DETAIL
19 1/4" = 1"

2 ELEVATION SIDE VIEW
19 1/2" = 1' - 0"

Project Title
BANK OF AMERICA
MONIGLE APPROVED 08/08/17

Date 02.21.17

AGI EoR M. SMITH
Lead Drafter GLM
Drawn By GLM
Project Mgr. K. GREER

General Sign Specifications

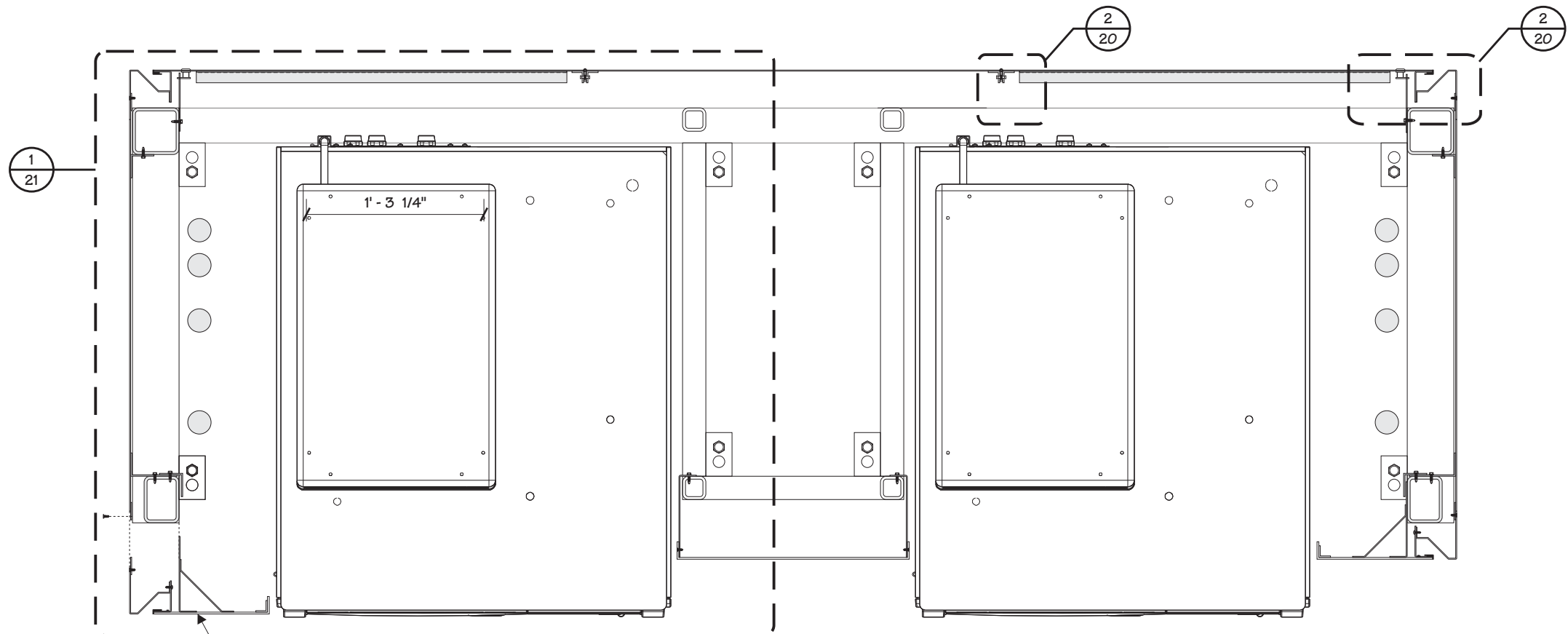
Interior Exterior
 Single Faced Double Faced
 Non-Illuminated
 Illuminated
 120 Volts _____ Amps(+/-)

Location _____
Windload _____

Drawing Revisions	Change
MM	11.01.17 UPDATED TO MONIGLE SI, S2, S3 DWG DATED 10.18.17
DLR	03.29.18 ADDED WATRONIX HEATER/AC UNIT
DLR	04.25.18 REMOVED WAYFINDING, CENTERED LOGO & REPLACED INFILL W/ ACM
DLR	05.23.18 MONIDGLE UPDATES
DLR	09.10.18 CORRECTED ROOF AND SHIPPING STAND DIMS.
DLR	09.15.18 ADDED NEW GAS LIFTER DETAILS

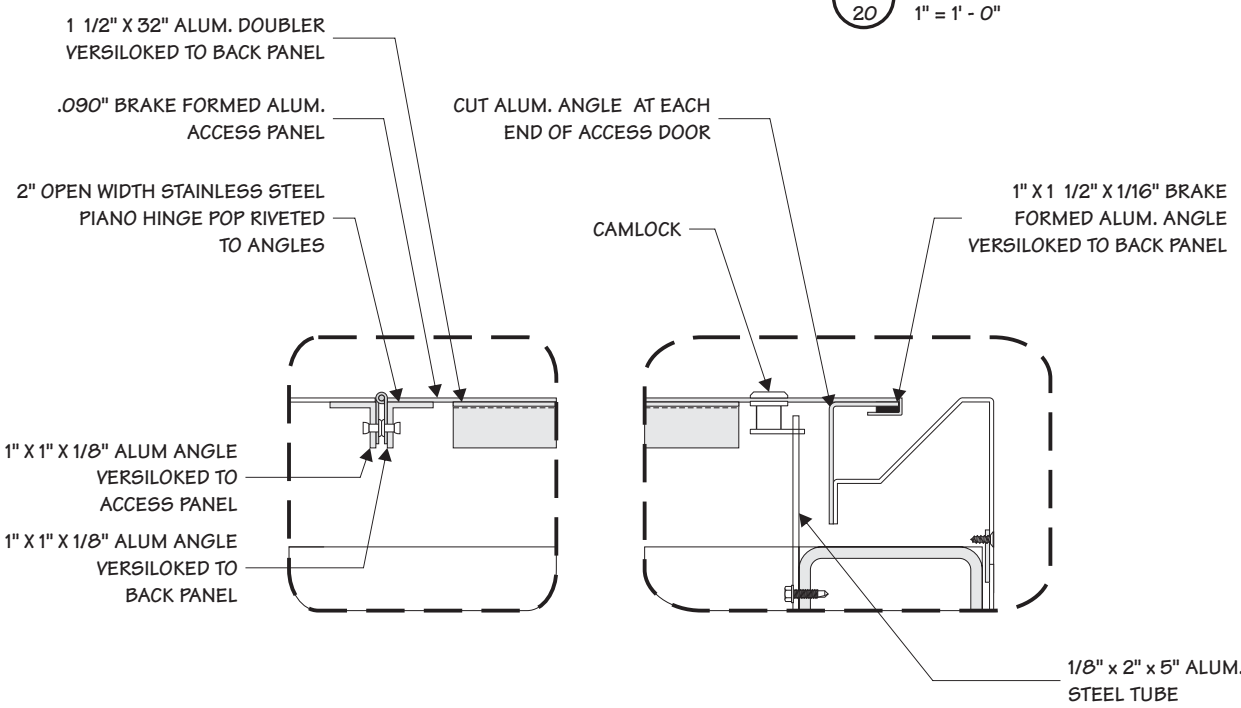
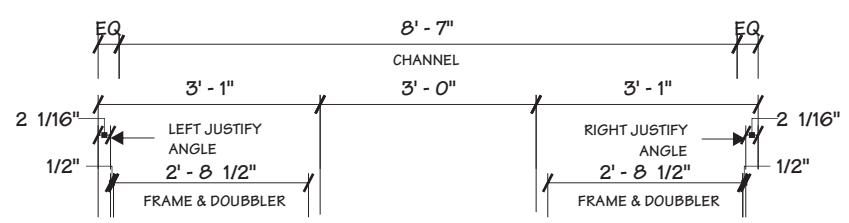
This document is the sole property of Architectural Graphics, Inc., and all design, manufacturing, reproduction, use and sale rights regarding the same are expressly forbidden. It is submitted under a confidential relationship, for a special purpose, and the recipient, by accepting this document assumes custody and agrees that this document will not be copied or reproduced in whole or in part, nor its contents revealed in any manner or to any person except for the purpose for which it was tendered, nor any special features peculiar to this design be incorporated in other projects.

Code	6894	Type	C
Sign Type	FRAME-R-EXT-NG-WU-KIO-DBL-D7705	PG #:	19

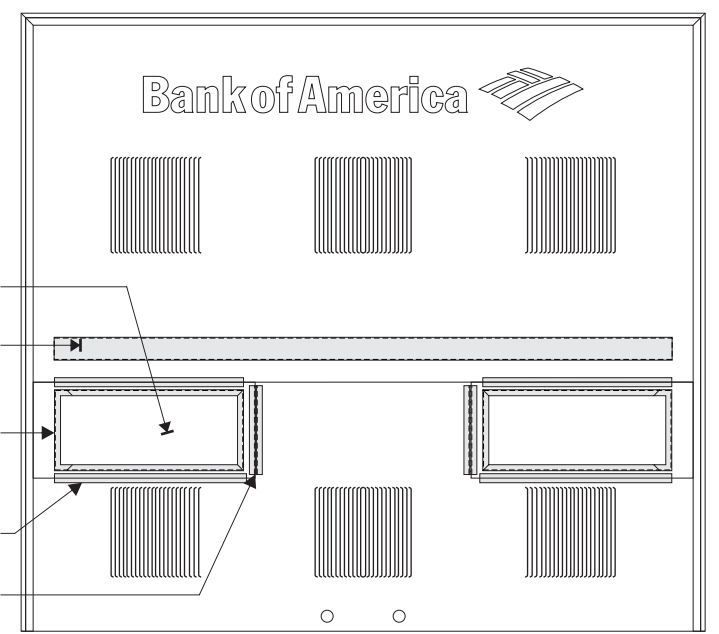


REMOVABLE CORNER SECTION

1 PLAN SECTION @ ATM
 1" = 1' - 0"



2 BLOW-UP @ ACCESS PANEL
 1/4" = 1"



3 REAR ELEVATION
 3/8" = 1' - 0"

Drawing Revisions	Change
MM	11.01.17 UPDATED TO MONIGLE S1, S2, S3 DWG DATED 10.18.17
DLR	03.29.18 ADDED WATERPROOF HEATER/AC UNIT
DLR	04.25.18 REMOVED WAYFINDING, CENTERED LOGO & REPLACED INFILL W/ ACM
DLR	05.23.18 MONIDLE UPDATES
DLR	09.10.18 CORRECTED ROOF AND SHIPPING STAND DIMS.
DLR	09.15.18 ADDED NEW GAS LIFTER DETAILS

This document is the sole property of Architectural Graphics, Inc., and all design, manufacturing, reproduction, use and sale rights regarding the same are expressly forbidden. It is submitted under a confidential relationship, for a special purpose, and the recipient, by accepting this document assumes custody and agrees that this document will not be copied or reproduced in whole or in part, nor its contents revealed in any manner or to any person except for the purpose for which it was tendered, nor any special features peculiar to this design be incorporated in other projects.

Code	6894	Type	C
Sign Type	FRAME-R-EXT-NG-WU-KIO-DBL-D7705	PG #:	20

General Sign Specifications

- Interior Exterior
 - Single Faced Double Faced
 - Non-Illuminated
 - Illuminated
- 120 Volts Amps(+/-)

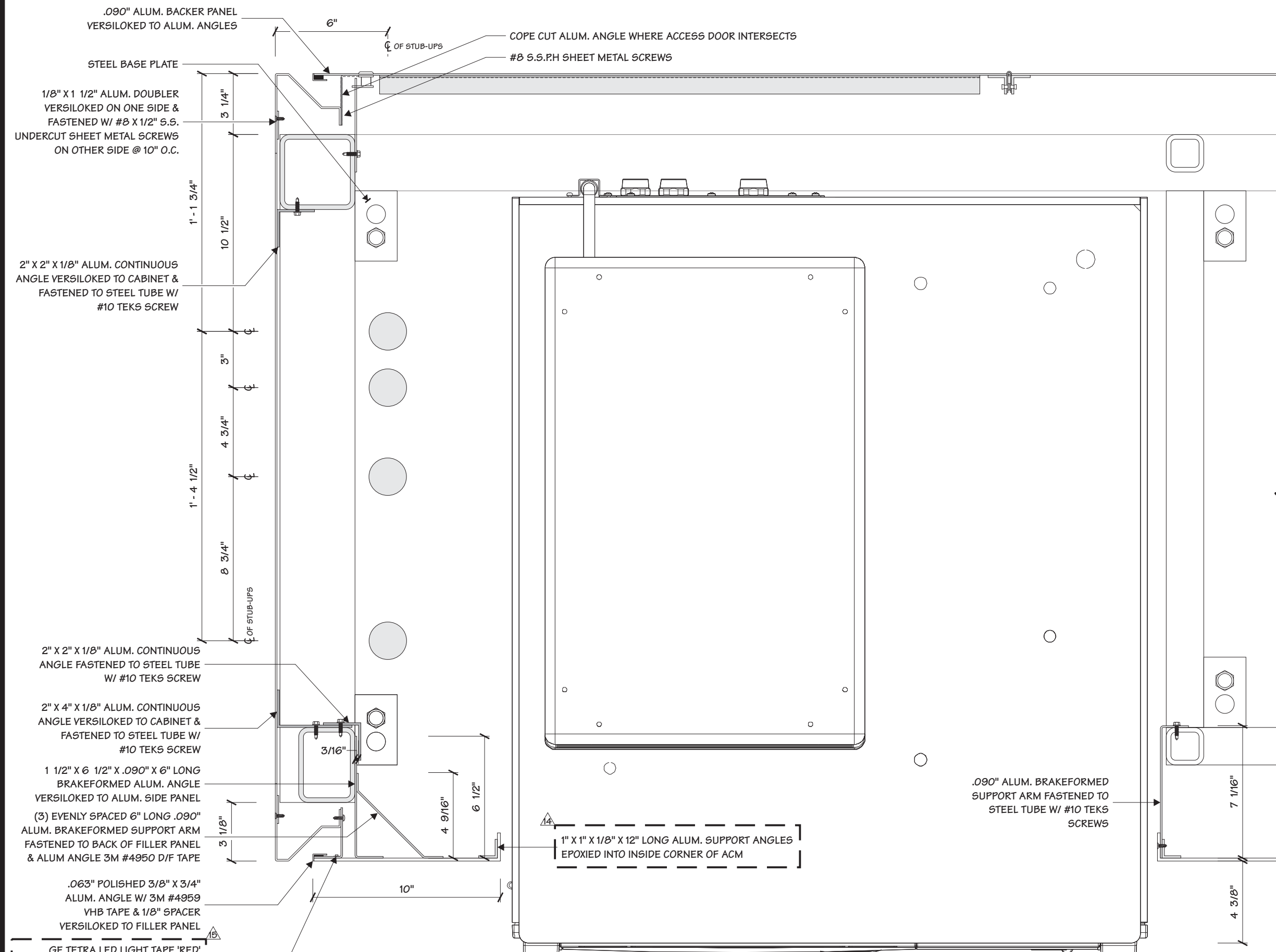
Location _____
Windload _____

Drawing Revisions	Change
MM	11.01.17 UPDATED TO MONIGLE S1, S2, S3 DWG DATED 10.18.17
DLR	03.29.18 ADDED WATRONIX HEATER/AC UNIT
DLR	04.25.18 REMOVED WAYFINDING, CENTERED LOGO & REPLACED INFILL W/ ACM
DLR	05.23.18 MONIDLE UPDATES
DLR	09.10.18 CORRECTED ROOF AND SHIPPING STAND DIMS.
DLR	09.15.18 ADDED NEW GAS LIFTER DETAILS

This document is the sole property of Architectural Graphics, Inc., and all design, manufacturing, reproduction, use and sale rights regarding the same are expressly forbidden. It is submitted under a confidential relationship, for a special purpose, and the recipient, by accepting this document assumes custody and agrees that this document will not be copied or reproduced in whole or in part, nor its contents revealed in any manner or to any person except for the purpose for which it was tendered, nor any special features peculiar to this design be incorporated in other projects.

Code 6894 **Type** C

Sign Type FRAME-R-EXT-NG-WU-KIO-DBL-D7705 **PG #:** 21



1 BLOW-UP SECTION @ ATM
 21 3/16" = 1"

NOTES:
 1.) PAINT INTERIOR SURFACES OF TOPPER SPRAYLAT
 STARBRITE WHITE LIGHT ENHANCEMENT PAINT.



Project Title
 BANK OF AMERICA
 MONIGLE APPROVED 08/08/17

Date 02.21.17

AGI EoR M. SMITH
Lead Drafter GLM
Drawn By GLM
Project Mgr. K. GREER

General Sign Specifications

Interior Exterior
 Single Faced Double Faced

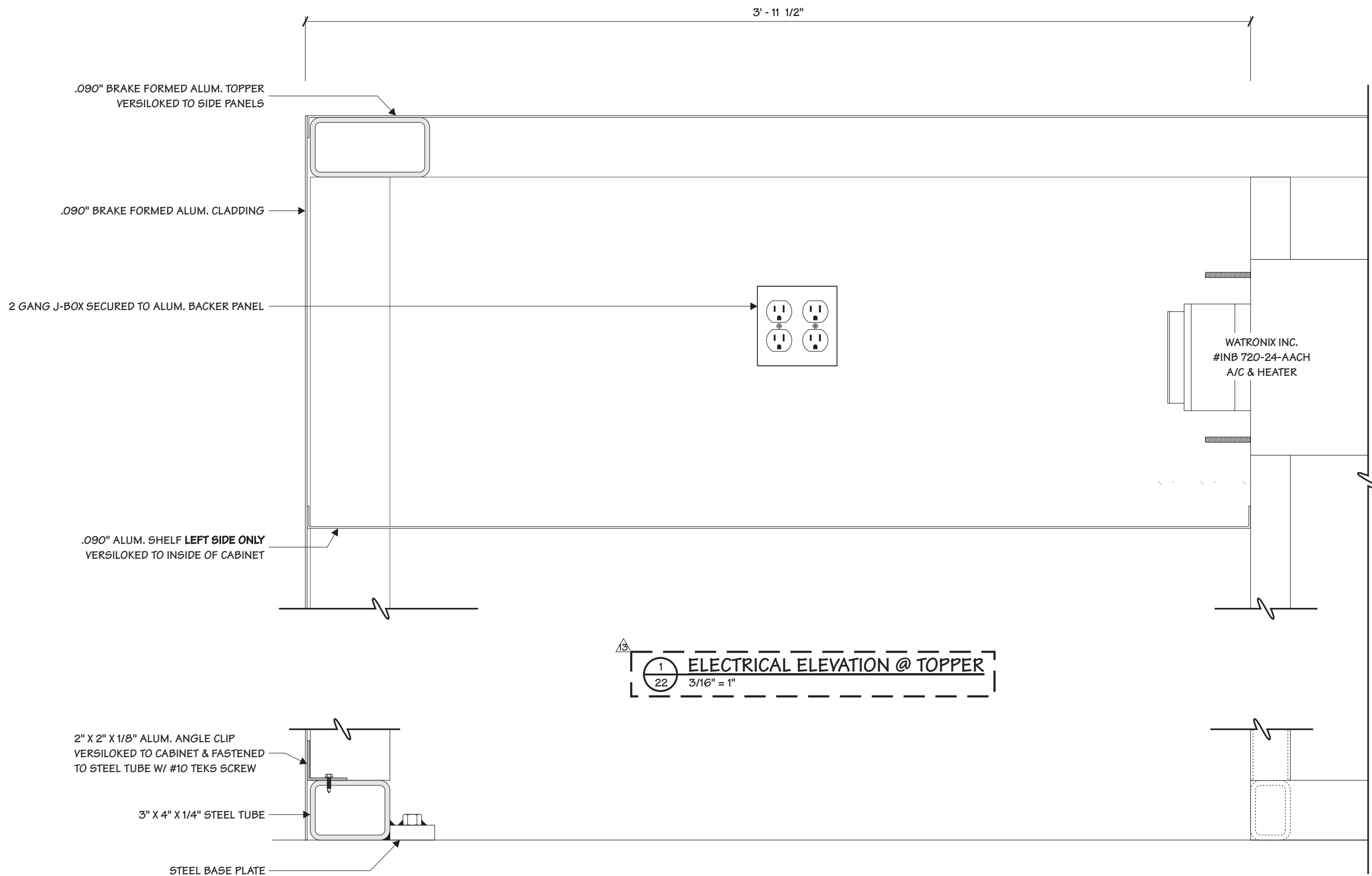
Non-Illuminated
 Illuminated
 _____ 120 Volts _____ Amps(+/-)

Location _____
Windload _____

Change	Date	Drawn By
1	11.01.17	MM
2	03.29.18	DLR
3	04.25.18	DLR
4	05.23.18	DLR
5	09.10.18	DLR
6	09.15.18	DLR
7		
8		
9		
10		
11		
12		
13		
14		
15		
16		
17		
18		
19		
20		
21		
22		

This document is the sole property of Architectural Graphics, Inc., and all design, manufacturing, reproduction, use and sale rights regarding the same are expressly forbidden. It is submitted under a confidential relationship, for a special purpose, and the recipient, by accepting this document assumes custody and agrees that this document will not be copied or reproduced in whole or in part, nor its contents revealed in any manner or to any person except for the purpose for which it was tendered, nor any special features peculiar to this design be incorporated in other projects.

Code 6894 **Type** C
Sign Type FRAME-R-EXT-NG-WU-KIO-DBL-D7705 **PG #:** 22



1
 22
 3/16" = 1"
ELECTRICAL ELEVATION @ TOPPER

2
 22
 3/16" = 1"
ELEVATION @ BOTTOM

2655 International Parkway
 Virginia Beach, VA 23452

General Sign Specifications

- Interior Exterior
- Single Faced Double Faced
- Non-Illuminated
- Illuminated
- 120 Volts _____ Amps(+/-)

Location _____

Windload _____

Drawing Revisions	Drawn By	Date	Change
	MM	11.01.17	UPDATED TO MONIGLE S1, S2, DWG DATED 10.18.17
	DLR	03.29.18	ADDED WATERPROOF HEATER/AC UNIT
	DLR	04.25.18	REMOVED WAYFINDING, CENTERED LOGO & REPLACED INFILL W/ ACM
	DLR	05.23.18	MONIGLE UPDATES
	DLR	09.10.18	CORRECTED ROOF AND SHIPPING STAND DIMS.
	DLR	09.15.18	ADDED NEW GAS LIFTER DETAILS

This document is the sole property of Architectural Graphics, Inc., and all design, manufacturing, reproduction, use and sale rights regarding the same are expressly forbidden. It is submitted under a confidential relationship, for a special purpose, and the recipient, by accepting this document assumes custody and agrees that this document will not be copied or reproduced in whole or in part, nor its contents revealed in any manner or to any person except for the purpose for which it was tendered, nor any special features peculiar to this design be incorporated in other projects.

Code 6894 **Type** C

Sign Type FRAME-R-EXT-NG-WU-KIO-DBL-D7705 **PG #:** 23

SPECIAL INSPECTION STATEMENT	
REQUIRED SPECIAL INSPECTIONS	
MATERIAL	IBC TABLE
STEEL	TABLE 1704.3
CONCRETE	TABLE 1704.4
SOILS	TABLE 1704.7
ALUMINUM	ALL WELDING OPERATIONS OF ALUMINUM ELEMENTS SHALL BE PERIODICALLY SPECIALLY INSPECTED IN ACCORDANCE WITH AWS D15.5, PARTS I(A) AND I(B) OF THE ALUMINUM DESIGN MANUAL AND AWS D12
POST INSTALLED ANCHORS	PERIODIC INSPECTION REQUIRED FOR DIAMETER, DEPTH, CLEANLINESS AND INSTALLATION

STRUCTURAL LOAD LIMITATIONS:	
FLOOR LIVE LOAD:	A. 125psf
ROOF LIVE LOAD:	A. 40psf
ROOF SNOW LOAD:	A. $P_f = 55psf$ B. $P_f = 40psf$ C. $C_e = 1.2$ D. $S = 1.0$ E. $C_t = 1.0$
GROUND SNOW LOAD	
FLAT-ROOF SNOW LOAD	
SNOW-EXPOSURE FACTOR	
SNOW IMPORTANCE FACTOR	
SNOW THERMAL FACTOR	
WIND LOAD:	A. 180 MPH B. II C. C D. $GCF = 0.18$ E. $P_w = 86.3psf$ F. $P_r = 179psf$ G. THIS BUILDING IS NOT DESIGNED FOR PLACEMENT ON THE UPPER HALF OF A HILL OR ESCARPMENT EXCEEDING 15 FEET IN HEIGHT
WIND SPEED	
RISK CATEGORY	
WIND EXPOSURE CATEGORY	
INTERNAL PRESSURE COEFFICIENT	
WALL COMPONENT & CLADDING LOAD	
ROOF COMPONENT & CLADDING LOAD	
SEISMIC LOAD:	A. I B. D C. I, K D. C E. SIMPLIFIED F. $S_{DS} = 0.49$ G. $S_{DI} = 0.19$ H. $V = 1000F$ I. $R = 3$
SEISMIC USE GROUP	
SITE CLASS	
SEISMIC FORCE RESISTING SYSTEM	
SEISMIC DESIGN CATEGORY	
ANALYSIS PROCEDURE	
SPECTRAL RESPONSE COEFFICIENT	
SPECTRAL RESPONSE COEFFICIENT	
DESIGN BASE SHEAR	
RESPONSE MODIFICATION COEFFICIENT	
FLOOD LOAD:	THE FACTORY BUILD PORTION OF THIS BUILDING IS NOT DESIGNED TO BE PLACED BELOW A BASE FLOOD ELEVATION WHEN LOCATED IN A FLOOD HAZARD AREA

GENERAL NOTES:

- All work shall conform to the minimum standards of the International Building Code, 2012 edition and any other regulatory agencies that have authority over any portion of the work.
- The structure has been designed to the criteria noted in the "Structural Load Limitations" table on this sheet. If the local building department criteria exceeds that shown, a licensed engineer shall be retained to redesign the structure as required.
- All omissions or conflicts between the various elements of the working drawings and/or specifications shall be brought to the attention of the Architect/Engineer before proceeding with any work so involve d.
- Contractor must check all dimensions, framing conditions, and site conditions before starting work. Architect/Engineer shall be notified immediately of any discrepancies or possible deficiencies.
- A detail, section, elevation, etc. reference may be indicated only once on a structural construction drawing, but is to be used at all like and similar construction conditions.
- No modification shall be made to any structural member without the approval of the Architect/Engineer. This also applies to any openings for plumbing, electrical and mechanical trades.
- Nothing contained within the contract documents shall relieve the general contractor and the subcontractors of:
 - the responsibility to determine any aspect of how the work is to be performed,
 - dealing with matters of safety of personnel
 - safety of property
 - superintending of the work.
- The contractor shall be responsible for all excavation procedures and protection of adjacent property, structures, utilities, etc. in accordance with all national, state and local ordinances.
- Special inspection, in accordance with the International Building Code or as required by the construction documents, shall be performed by a qualified inspector from an approved agency. Reports shall be issued to the Architect/Engineer and the Building Department at the completion of each type of work stating whether the work was performed in conformance with the approved plans and specifications. See inspection schedules for specific requirements.

FOUNDATIONS:

- Minimum allowable soils pressure = 1500 psf

STRUCTURAL STEEL:

- All fabrication and erection shall conform to the latest edition of the AISC Manual of Steel Construction.
- A Certified Welder approved by the local Building Department in accordance with AWS, Structural Welding Code D1.1, shall perform all welding.
- Square and rectangular hollow structural sections (HSS) shall be ASTM A500 Grade B (46 ksi).
- Miscellaneous structural steel such as plates, angles and channels shall conform to ASTM A36.
- All welding electrodes shall conform to ASTM E70XX. The minimum fillet weld size shall be 3/16".
- Bolted connections are to be of high-strength ASTM F1554, Grade (36, 55, 105). A minimum of two bolts is required for all beam connections. Minimum required connection capacity is 8 kips unless noted otherwise.
- All structural steel shall be shop coated with an approved rust inhibitive primer.
- No holes other than those specifically detailed shall be allowed through structural steel members. No cutting or burning of structural steel shall be permitted without written consent from the Architect/Engineer.
- Post installed anchor bolts shall be Simpson Titen HD heavy duty screw anchors.

ALUMINUM:

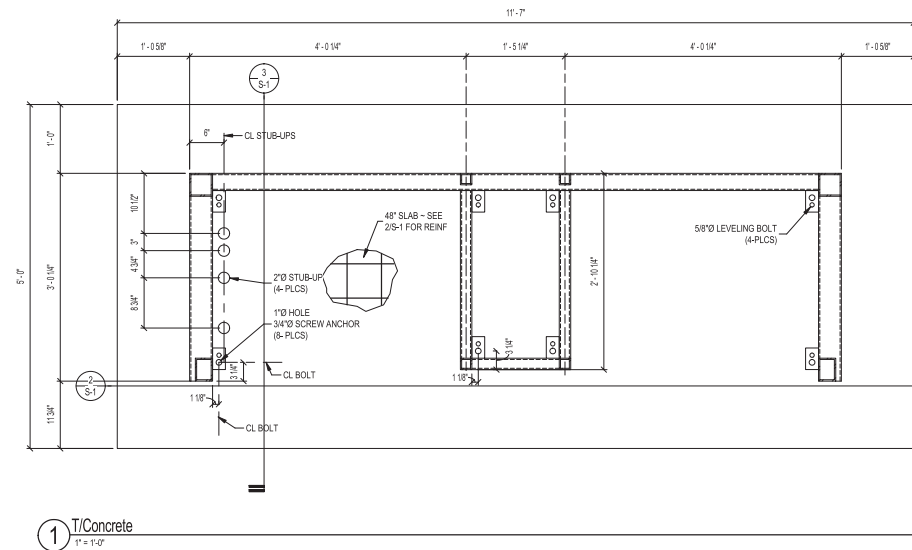
- Aluminum shall be 3003-H14 Alloy
 $F_{tu} = 19$ ksi, $F_{ty} = 16$ ksi, $F_{cy} = 13$ ksi, $F_{su} = 12$ ksi, $F_{sy} = 9$ ksi, $F_c = 10,100$ ksi

CONCRETE:

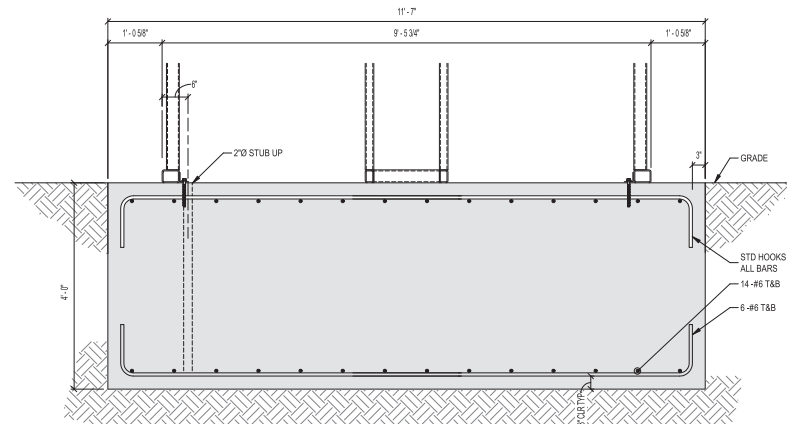
- Minimum $f_c = 3000$ psi
- Maximum aggregate size = 1"
- Slump limits 3"-5"
- Cement Type III
- Air content 5%-8% with air entrainment admixture required at all sites except those that do not have temperatures below freezing at any point of the year.
- Prepare concrete mix designs using either laboratory trial batch or field experience methods as specified in ACI 301. If trial batch method is used, use an independent testing facility acceptable to Engineer for preparing and reporting of proposed mix designs.
- Portland Cement shall conform to ASTM C150, Type I/II. Aggregate for lightweight concrete shall conform to all requirements and test of ASTM C330. Concrete mixing operations, etc., shall conform to ASTM C94 and ACI 304.
- Water-reducing admixtures shall conform to ASTM C494, and be used in strict accordance with the manufacturer's recommendations. An air-entraining agent conforming to the ASTM C260 shall be used in all concrete mixes for work which is exposed to weather.
- Pipes may pass through structural concrete in sleeves, but shall not be embedded therein.
- All concrete shall be consolidated by vibration, spading, rodding, or forking so that concrete is thoroughly worked around the reinforcement and embedded items and into corners of forms without segregation of materials.

REINFORCING STEEL:

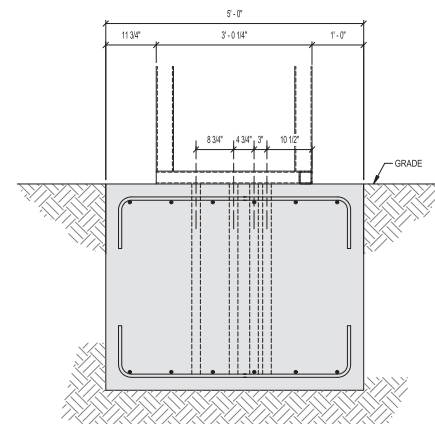
- Reinforcing steel shall conform to ASTM A615, Grade 60.
- All reinforcing bar bends shall be made cold with a bar bender at the ACI 318 specified minimum radius.
- Detail bars in accordance with the latest editions of the ACI Detailing Manual and ACI Building Code Requirements for Structural Concrete.
- Provide all accessories necessary to support reinforcing at positions shown on the plan.



1 T/Concrete
1" = 1'-0"



2 FRONT SECTION
3/4" = 1'-0"



3 SIDE SECTION
3/4" = 1'-0"

Structural Criteria & Footings

S-1

JIRSA HEDRICK
 Structural Engineers
 8490 E. Crescent Pkwy Suite 250
 Greenwood Village, CO 80111
 main: 303.501.1963
 www.jirsa-hedrick.com

Released To: BOA
 Job Number: 20170206
 Drawn By: NNG
 Date: October 18, 2017

Sign Type: EXT-DBL-KIO-7705

Rev No:
 Rev No:
 Rev No:
 Rev No:

MONIGLE ASSOCIATES

General Sign Specifications

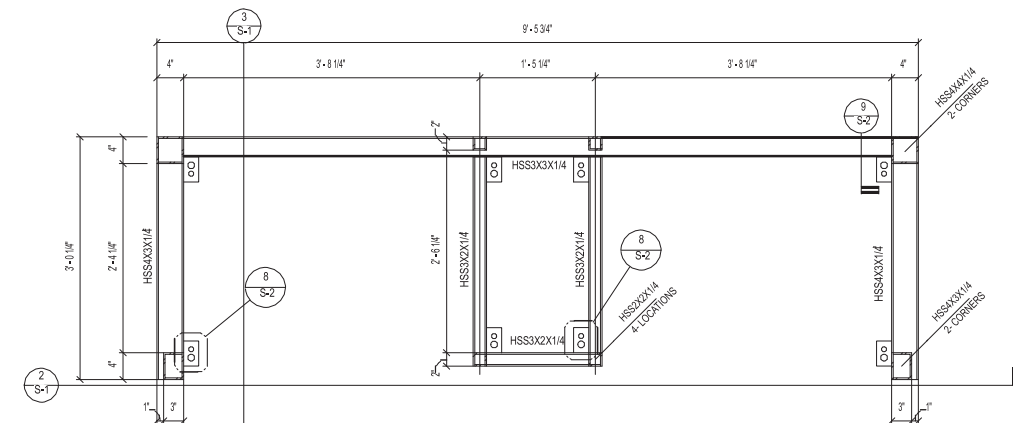
- Interior Exterior
 - Single Faced Double Faced
 - Non-Illuminated
 - Illuminated
- 120 Volts Amps(+/-)

Location _____
Windload _____

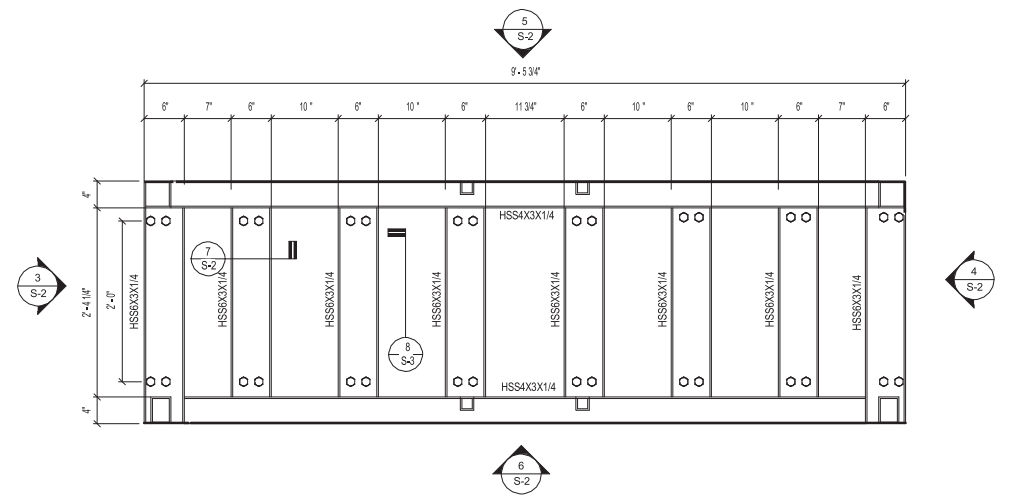
Drawing Revisions	Change
MM	11.01.17 UPDATED TO MONIGLE S1, S2, S3 DWG DATED 10.18.17
DLR	03.29.18 ADDED WATRONIX HEATER/AC UNIT
DLR	04.25.18 REMOVED WAYFINDING, CENTERED LOGO & REPLACED INFILL W/ ACM
DLR	05.23.18 MONIDGLE UPDATES
DLR	09.10.18 CORRECTED ROOF AND SHIPPING STAND DIMS.
DLR	09.15.18 ADDED NEW GAS LIFTER DETAILS

This document is the sole property of Architectural Graphics, Inc., and all design, manufacturing, reproduction, use and sale rights regarding the same are expressly forbidden. It is submitted under a confidential relationship, for a special purpose, and the recipient, by accepting this document assumes custody and agrees that this document will not be copied or reproduced in whole or in part, nor its contents revealed in any manner or to any person except for the purpose for which it was tendered, nor any special features peculiar to this design be incorporated in other projects.

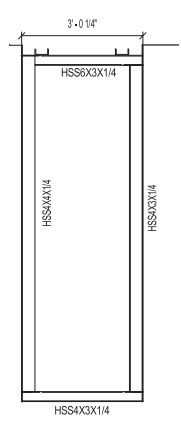
Code	6894	Type	C
Sign Type	FRAME-R-EXT-NG-WU-KIO-DBL-D7705	PG #:	24



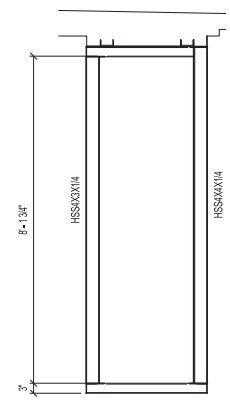
1 PLANVIEW AT STEEL FRAME BOTTOM PLAN
 1" = 1'-0"



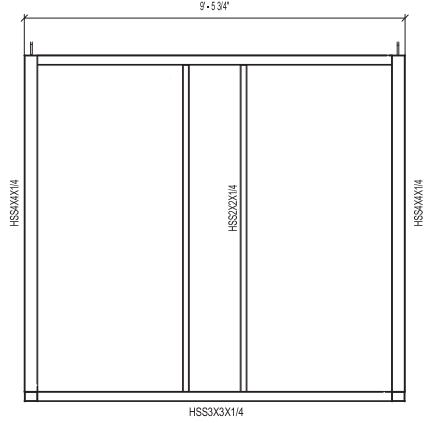
2 PLANVIEW AT STEEL FRAME TOP
 1" = 1'-0"



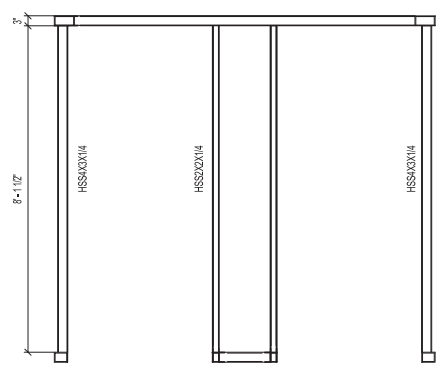
3 STEEL FRAME LEFT SIDE ELEVATION
 1/2" = 1'-0"



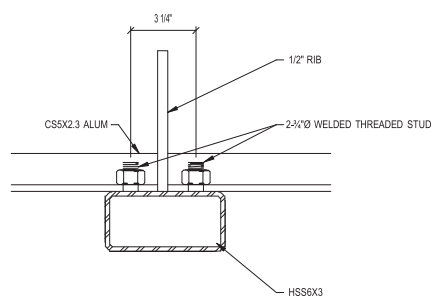
4 STEEL FRAME RIGHT SIDE ELEVATION
 1/2" = 1'-0"



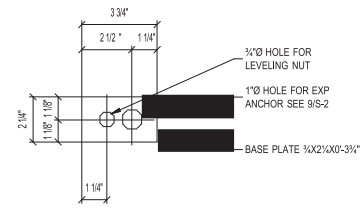
5 STEEL FRAME BACK ELEVATION
 1/2" = 1'-0"



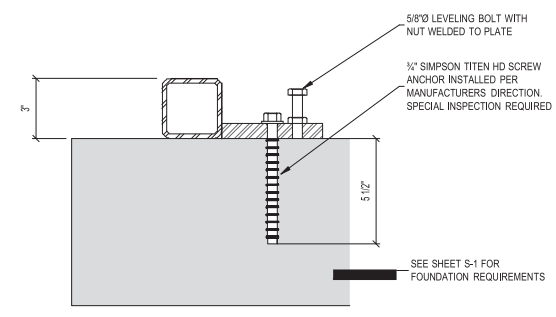
6 STEEL FRAME FRONT ELEVATION
 1/2" = 1'-0"



7 ROOF MOUNTING STEEL SUPPORT DETAIL
 3" = 1'-0"



8 TYP. BASE PLATE
 3" = 1'-0"



9 ANCHOR DETAIL
 3" = 1'-0"

General Sign Specifications

- Interior Exterior
 - Single Faced Double Faced
 - Non-Illuminated
 - Illuminated
- 120 Volts _____ Amps(+/-)

Location _____
Windload _____

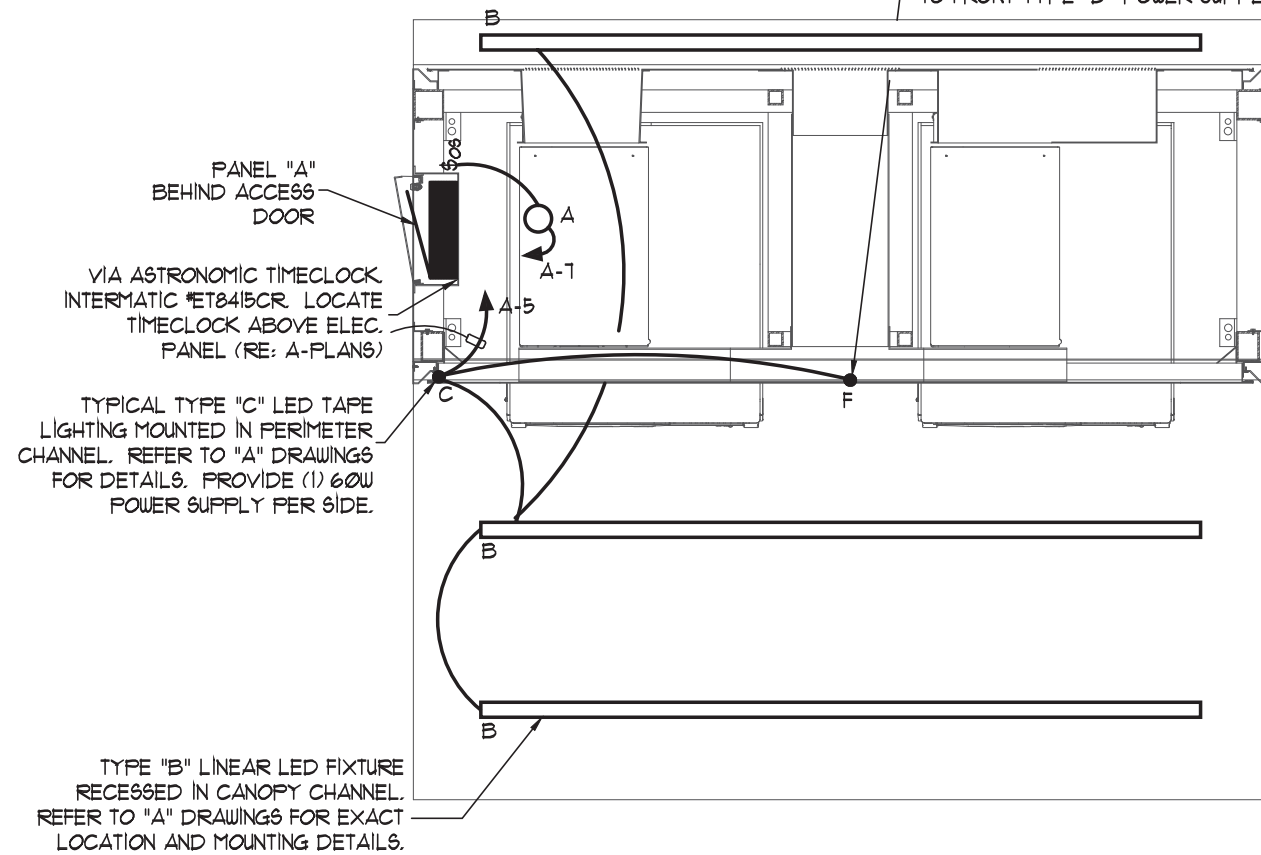
Drawing Revisions	Change
MM	11.01.17 UPDATED TO MONIGLE S1, S2, S3 DWG DATED 10.18.17
DLR	03.29.18 ADDED WATRONIX HEATER/AC UNIT
DLR	04.25.18 REMOVED WAYFINDING, CENTERED LOGO & REPLACED INFILL W/ ACM
DLR	05.23.18 MONIDLGE UPDATES
DLR	09.10.18 CORRECTED ROOF AND SHIPPING STAND DIMS.
DLR	09.15.18 ADDED NEW GAS LIFTER DETAILS

This document is the sole property of Architectural Graphics, Inc., and all design, manufacturing, reproduction, use and sale rights regarding the same are expressly forbidden. It is submitted under a confidential relationship, for a special purpose, and the recipient, by accepting this document assumes custody and agrees that this document will not be copied or reproduced in whole or in part, nor its contents revealed in any manner or to any person except for the purpose for which it was tendered, nor any special features peculiar to this design be incorporated in other projects.

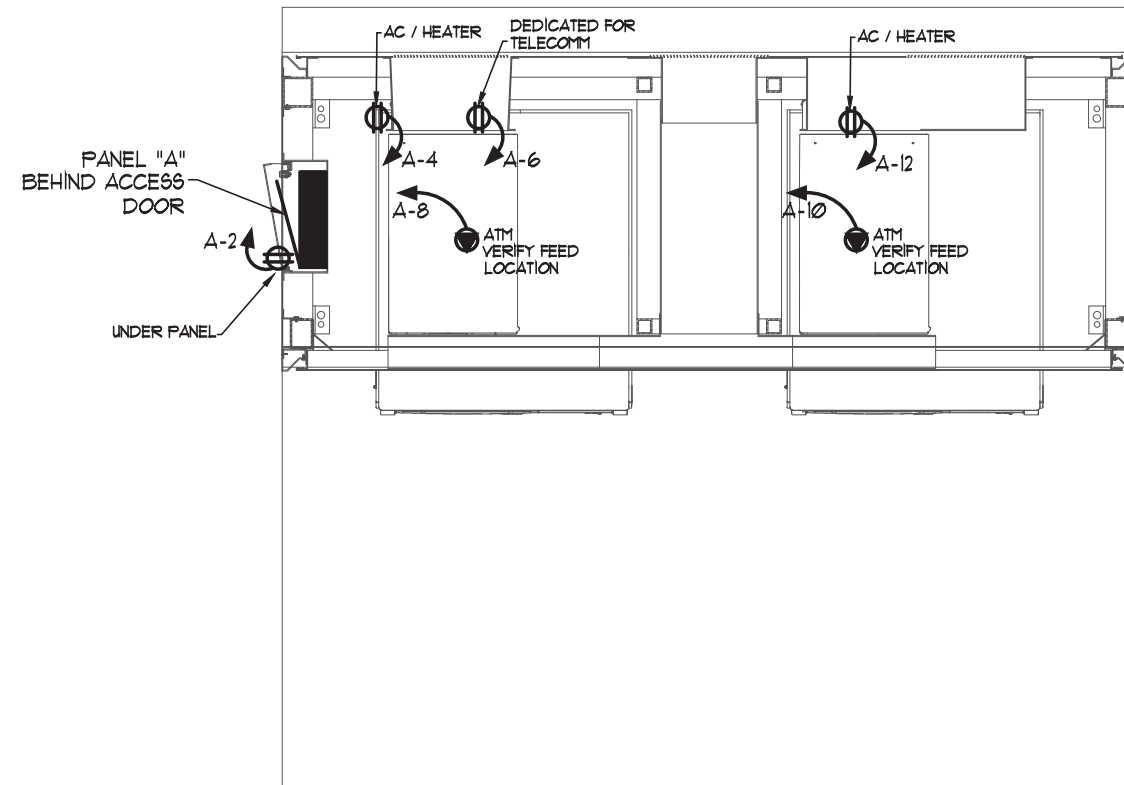
Code 6894 **Type** C

Sign Type FRAME-R-EXT-NG-WU-KIO-DBL-D7705 **PG #:** 26

TYPE "F" LED MODULES MOUNTED BEHIND "CASH & DEPOSITS" SIGN. 6 MODULES. FRONT SIDE ONLY. CONNECT TO FRONT TYPE "D" POWER SUPPLY.



KIOSK LIGHTING PLAN
 SCALE: 1/2" = 1'-0"

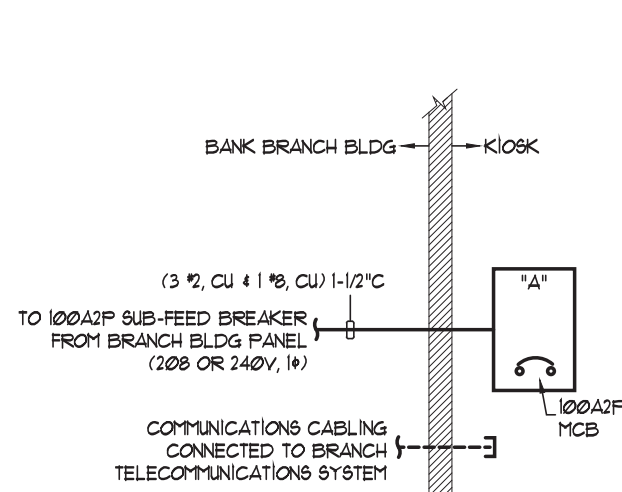


KIOSK POWER PLAN
 SCALE: 1/2" = 1'-0"

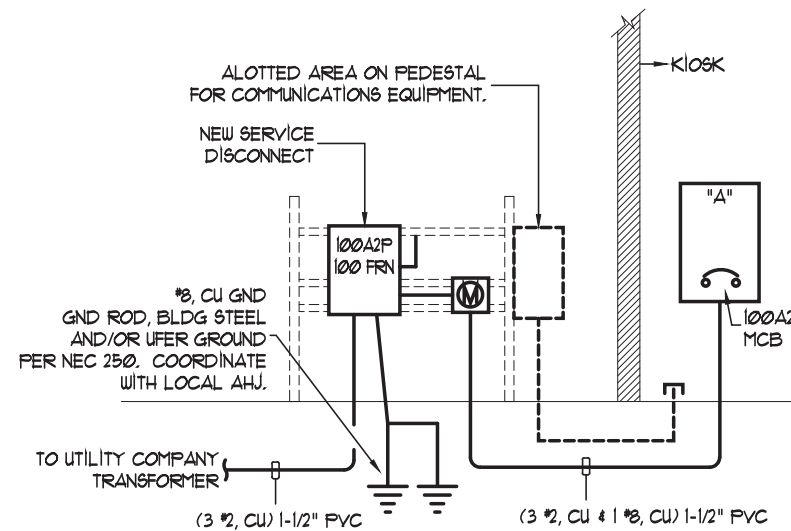
ELECTRICAL LEGEND	
Ⓢ	JUNCTION BOX
\$	SINGLE POLE SWITCH
Ⓢ	DUPLEX RECEPTACLE (HEIGHT PER BANK OF AMERICA)
Ⓢ	SPECIAL PURPOSE RECEPTACLE (HEIGHT PER BANK OF AMERICA)
Ⓢ	DISCONNECT-RATED FOR USE
WP	WEATHERPROOF
GFI	GROUND FAULT INTERRUPTER
AC	ABOVE COUNTER
HOR	MOUNT RECEPTACLE HORIZONTALLY
M	METER

General Sign Specifications

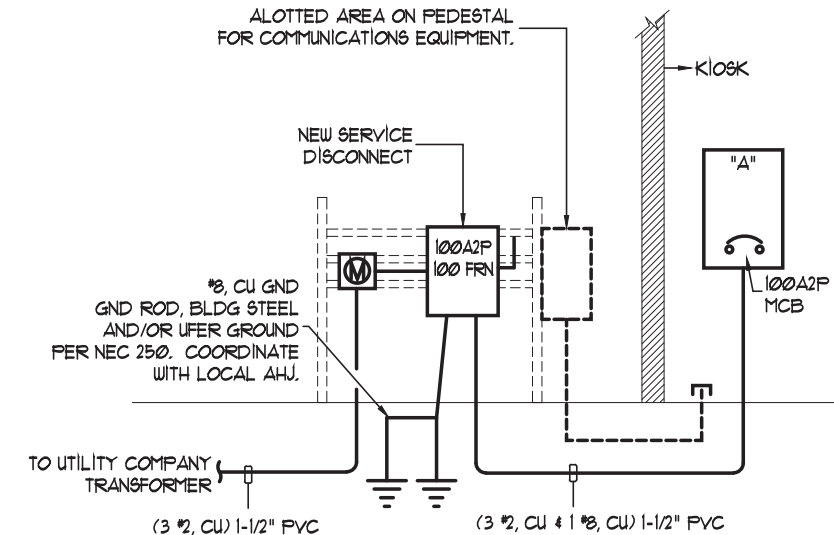
<input type="checkbox"/> Interior	<input checked="" type="checkbox"/> Exterior
<input checked="" type="checkbox"/> Single Faced	<input type="checkbox"/> Double Faced
<input type="checkbox"/> Non-Illuminated	
<input checked="" type="checkbox"/> Illuminated	
120 Volts _____ Amps(+/-)	
Location	_____
Windload	_____



SERVICE OPTION 1



SERVICE OPTION 2



SERVICE OPTION 3

ELECTRICAL SERVICE OPTIONS:

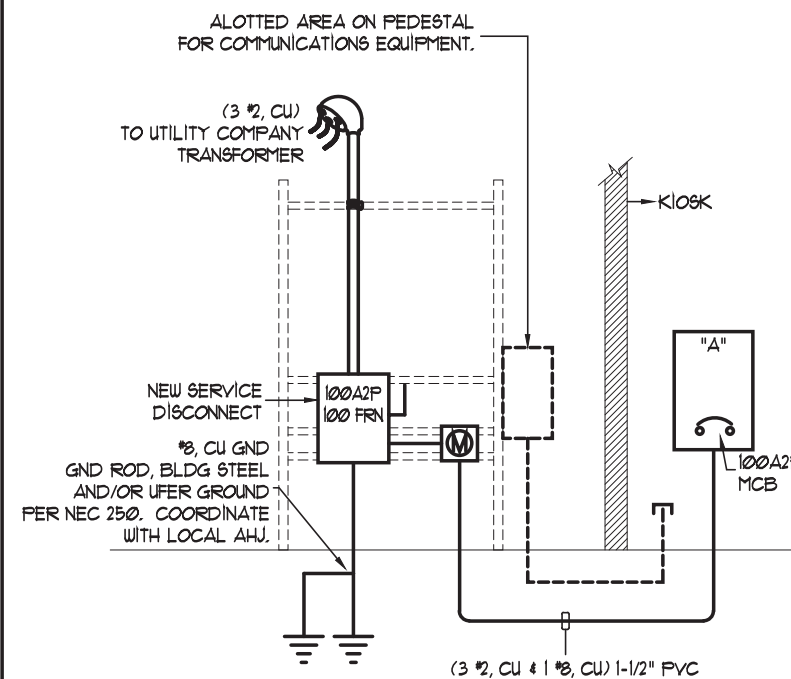
SERVICE OPTION 1:
 UTILIZE THIS OPTION FOR KIOSK POWER FEED FROM AN EXISTING BANK BRANCH BUILDING. CONTRACTOR SHALL FIELD-COORDINATE WITH BANK OF AMERICA AND BRANCH MANAGER TO DETERMINE BEST LOCATION TO FEED NEW 100A, 208 OR 240V, SINGLE PHASE ELECTRICAL FEED TO PANEL INTEGRAL TO KIOSK. EXISTING BRANCH PANEL MUST BE ABLE TO ACCOMMODATE NEW 60A2P CIRCUIT BREAKER. ABOVE GRADE CONDUIT ROUTING MUST NOT BE EXPOSED AND SHALL BE APPROVED FOR SECURITY PURPOSES WITH BANK OF AMERICA.

SERVICE OPTION 2:
 UTILIZE THIS OPTION FOR FREE-STANDING KIOSKS FED FROM A PAD-MOUNTED UTILITY COMPANY TRANSFORMER. ADDITIONALLY THIS OPTION SHALL BE USED FOR UTILITY JURISDICTIONS THAT REQUIRE "COLD-SEQUENCED" (METER DOWNSTREAM OF DISCONNECT) FUSE AND METER CONFIGURATION. ALL SERVICE GEAR SHALL BE MOUNTED TO A FREE-STANDING PRESSURE TREATED WOOD PEDESTAL, CONSTRUCTED AND PLACED PER BANK OF AMERICA STANDARDS. ELECTRICAL CONTRACTOR SHALL FIELD COORDINATE WITH LOCAL UTILITY COMPANY FOR SERVICE FEEDERS AND SPECIFIC REQUIREMENTS PRIOR TO WORK.

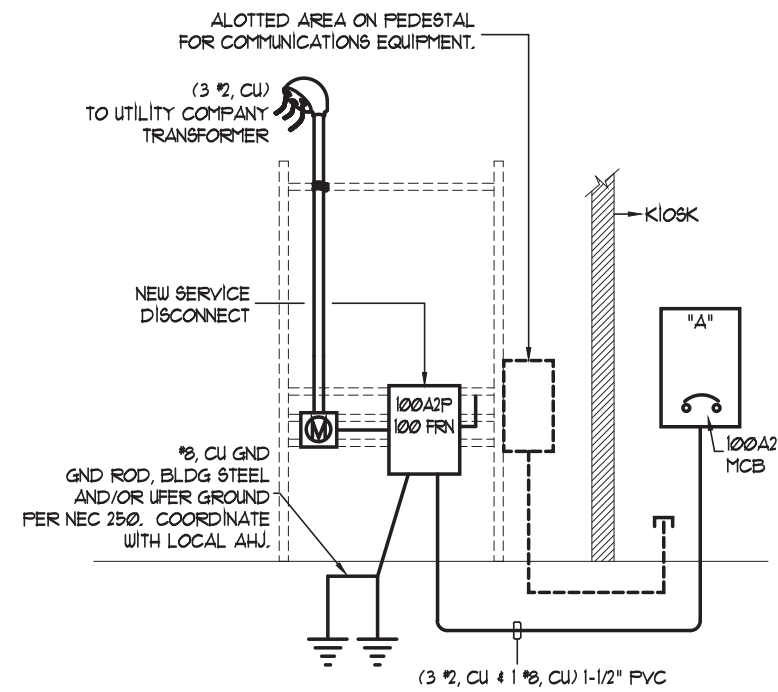
SERVICE OPTION 3:
 THIS OPTION SHALL ENCOMPASS THE SAME REQUIREMENTS OF OPTION 2, WITH THE EXCEPTION OF THE FUSE AND METER CONFIGURATION. THIS OPTION SHALL BE UTILIZED IN UTILITY JURISDICTIONS REQUIRING "HOT-SEQUENCED" (METER UPSTREAM OF DISCONNECT) FUSE AND METER CONFIGURATION.

SERVICE OPTION 4:
 UTILIZE THIS OPTION FOR FREE-STANDING KIOSKS FED FROM A POLE-MOUNTED UTILITY COMPANY TRANSFORMER. ADDITIONALLY THIS OPTION SHALL BE USED FOR UTILITY JURISDICTIONS THAT REQUIRE "COLD-SEQUENCED" (METER DOWNSTREAM OF DISCONNECT) FUSE AND METER CONFIGURATION. ALL SERVICE GEAR SHALL BE MOUNTED TO A FREE-STANDING PRESSURE TREATED WOOD OR UNISTRUT PEDESTAL, CONSTRUCTED AND PLACED PER BANK OF AMERICA STANDARDS. ELECTRICAL CONTRACTOR SHALL FIELD COORDINATE WITH LOCAL UTILITY COMPANY FOR SERVICE FEEDERS AND SPECIFIC REQUIREMENTS PRIOR TO WORK.

SERVICE OPTION 5:
 THIS OPTION SHALL ENCOMPASS THE SAME REQUIREMENTS OF OPTION 2, WITH THE EXCEPTION OF THE FUSE AND METER CONFIGURATION. THIS OPTION SHALL BE UTILIZED IN UTILITY JURISDICTIONS REQUIRING "HOT-SEQUENCED" (METER UPSTREAM OF DISCONNECT) FUSE AND METER CONFIGURATION.



SERVICE OPTION 4



SERVICE OPTION 5

Drawing Revisions	Change
MM	11.01.17 UPDATED TO MONIGLE ST. S2, S3 DWG DATED 10.18.17
DLR	03.29.18 ADDED WATERPROOF HEATER/AC UNIT
DLR	04.25.18 REMOVED WAYFINDING, CENTERED LOGO & REPLACED INFILL W/ACM
DLR	05.23.18 MONIGLE UPDATES
DLR	09.10.18 CORRECTED ROOF AND SHIPPING STAND DIMS.
DLR	09.15.18 ADDED NEW GAS LIFTER DETAILS

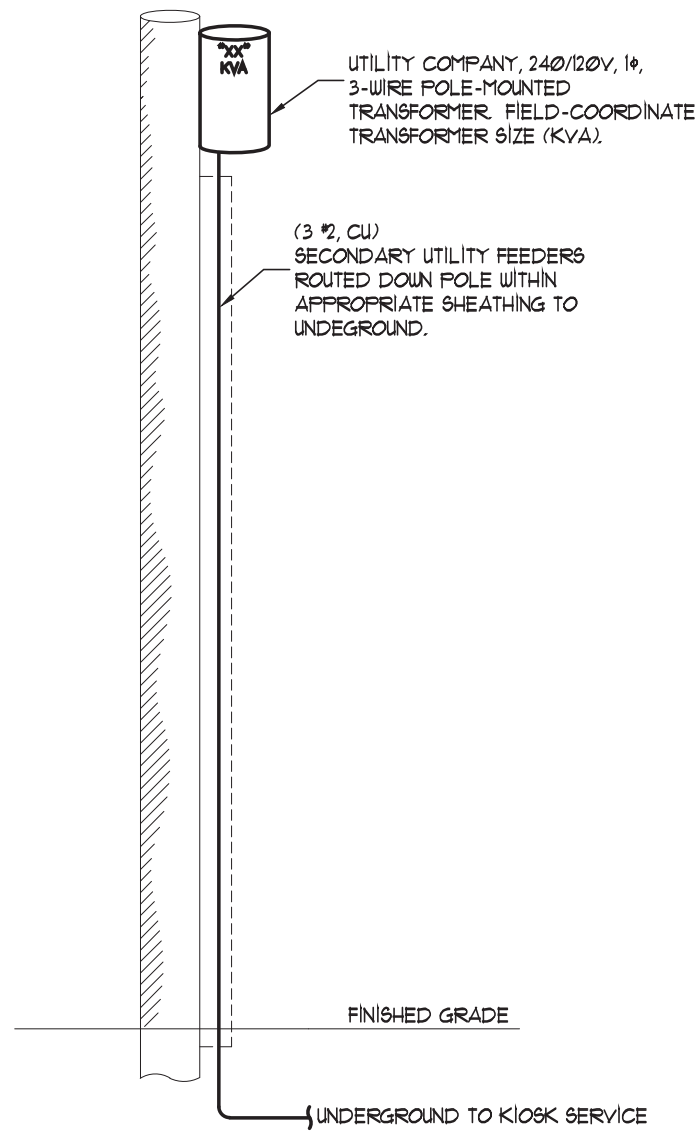
This document is the sole property of Architectural Graphics, Inc., and all design, manufacturing, reproduction, use and sale rights regarding the same are expressly forbidden. It is submitted under a confidential relationship, for a special purpose, and the recipient, by accepting this document assumes custody and agrees that this document will not be copied or reproduced in whole or in part, nor its contents revealed in any manner or to any person except for the purpose for which it was tendered, nor any special features peculiar to this design be incorporated in other projects.

Code	6894	Type	C
Sign Type	FRAME-R-EXT-NG-WU-KIO-DBL-D7705	PG #:	27

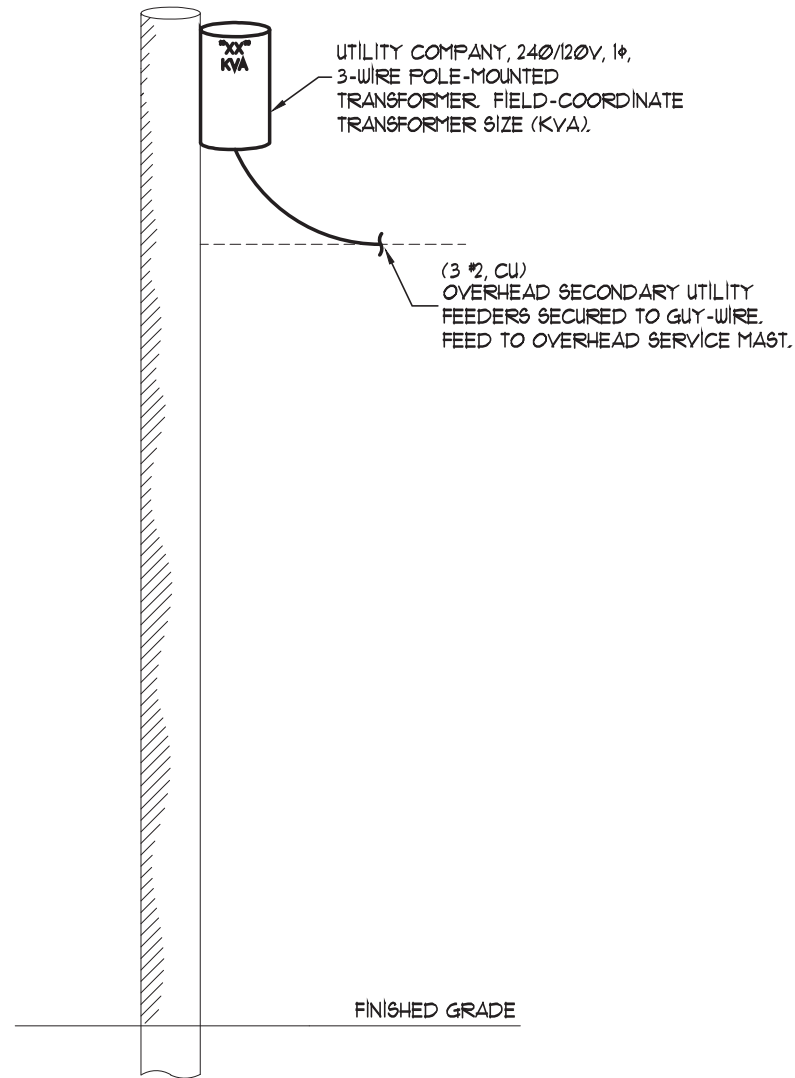
General Sign Specifications

- Interior Exterior
 - Single Faced Double Faced
 - Non-Illuminated
 - Illuminated
- 120 Volts Amps(+/-)

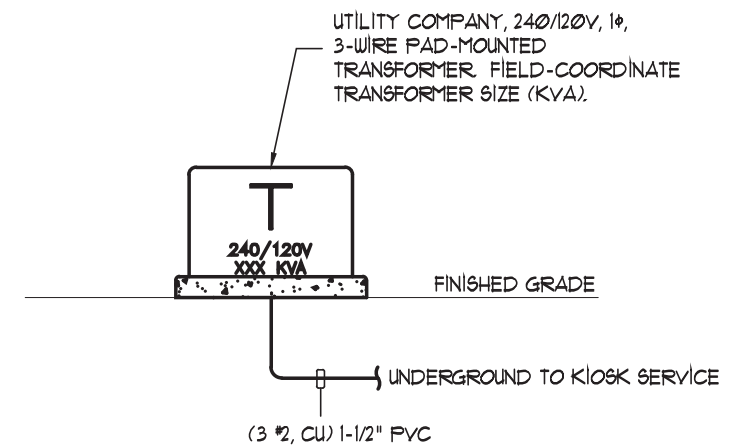
Location _____
Windload _____



UTILITY COMPANY
 SERVICE OPTION 1



UTILITY COMPANY
 SERVICE OPTION 2



UTILITY COMPANY
 SERVICE OPTION 3

Drawing Revisions	Change
MM	11.01.17 UPDATED TO MONIGLE SI, S2, S3 DWG DATED 10.18.17
DLR	03.29.18 ADDED WATRONIX HEATER/AC UNIT
DLR	04.25.18 REMOVED WAYFINDING, CENTERED LOGO & REPLACED INFILL W/ ACM
DLR	05.23.18 MONIDLGE UPDATES
DLR	09.10.18 CORRECTED ROOF AND SHIPPING STAND DIMS.
DLR	09.15.18 ADDED NEW GAS LIFTER DETAILS

This document is the sole property of Architectural Graphics, Inc., and all design, manufacturing, reproduction, use and sale rights regarding the same are expressly forbidden. It is submitted under a confidential relationship, for a special purpose, and the recipient, by accepting this document assumes custody and agrees that this document will not be copied or reproduced in whole or in part, nor its contents revealed in any manner or to any person except for the purpose for which it was tendered, nor any special features peculiar to this design be incorporated in other projects.

Code	6894	Type	C
Sign Type	FRAME-R-EXT-NG-WU-KIO-DBL-D7705	PG #:	28



Project Title
BANK OF AMERICA
 MONIGLE APPROVED 08/08/17

Date 02.21.17

AGI EoR M. SMITH
Lead Drafter GLM
Drawn By GLM
Project Mgr. K. GREER

General Sign Specifications

- Interior Exterior
 Single Faced Double Faced

 Non-Illuminated
 Illuminated
 120 Volts _____ Amps(+/-)

Location _____
Windload _____

FIXTURE SCHEDULE										
BANK OF AMERICA ATM KIOSKS										
KEY	DESCRIPTION OF LUMINAIRE			MOUNTING DATA			LUMINAIRE SPECIFICATION			
	LAMP CODE	DESCRIPTION	FINISH	METHOD	RECESS DEPTH	CEILING TYPE	MANUFACTURER	CATALOG NUMBER	VOLTS	KEY NOTES
A	(1) 10W LED A-19	SURFACE MOUNTED PORCELAIN KEYLESS FIXTURE	STANDARD	SURFACE	N/A	STRUCTURE	BY E.C.	BY E.C.	120	1
B	36W LED	96" LINE VOLTAGE, 1P66 RATED LINEAR LED FIXTURE	STANDARD	RECESSED	2"	CANOPY	GE	GEWM9640BAT	120	1
C	1.5W / FT	RED LOW-VOLTAGE LED TAPE LIGHT	STANDARD	SURFACE	N/A	N/A	PRINCIPAL	PL-LT1-RD1-P-8008 WITH 60W 1P66 RATED POWER SUPPLY	120/12	1
D	0.4W / MODULE	FLEXIBLE CONNECTED LED MODULES	STANDARD	SURFACE	N/A	N/A	GE	(48) GEMM71-W1 WITH 60W POWER SUPPLY	120/12	1,2
F	0.4W / MODULE	FLEXIBLE CONNECTED LED MODULES	STANDARD	SURFACE	N/A	N/A	GE	(6) GEMM71-W1 (CONNECTED TO TYPE "D" POWER SUPPLY)	120/12	1,2

KEY NOTES:
 1. COORDINATE FINAL LOCATION AND MOUNTING WITH ARCHITECTURAL AND STRUCTURAL DRAWINGS PRIOR TO ROUGH-IN.
 2. COORDINATE WITH "GE" TO ENSURE ALL LEAD CONNECTORS, SUPPLY WIRES, END CAPS, JUMPERS, ETC. ARE SUPPLIED FOR A COMPLETE OPERATIONAL SYSTEM.

GENERAL NOTES:
 1. SUBMIT CUT SHEETS (PDF FORMAT) FOR BANK OF AMERICA APPROVAL.

PANEL "A"							HUTCHISON - PAPESH ENGINEERING CORPORATION				
240 / 120 VOLTS, 1 PHASE, 3 WIRE							CONSULTING ELECTRICAL ENGINEERS				
100 AMPS 100A2P M.C.B.							V. 303.973.9779 F. 303.973.9759				
NEW, SURFACE											
EATON AIC: SERIES (RE: NOTE BELOW)											
NOTES: REFER TO NOTE BELOW FOR SPECIFIC SERIES RATING INFORMATION											
CIRCUIT DESCRIPTION	V A	CIRCUIT BKR	PHASE A	PHASE B	CIRCUIT BKR	V A	CIRCUIT DESCRIPTION	V A	CIRCUIT DESCRIPTION	V A	CIRCUIT DESCRIPTION
1 MAIN CIRCUIT BREAKER	-	100/2	O		20	180	UTILITY RCPT UNDER PNL	20	180	UTILITY RCPT UNDER PNL	2
3	-	/			O	20	1500	AC / HEATER	20	1500	AC / HEATER
5 EXTERIOR / SIGN LTG	352	20	O		20	500	TELE / SECURITY DED	20	500	TELE / SECURITY DED	6
7 INTERIOR LIGHTING	10	20			O	30	2500	ATM FEED (#10, CU)	30	2500	ATM FEED (#10, CU)
9 FUTURE SITE LIGHTING	1800	20	O		30	2500	ATM FEED (#10, CU)	30	2500	ATM FEED (#10, CU)	10
11 SPARE		20			O	20	500	TELE / SECURITY DED	20	500	TELE / SECURITY DED

PHASE A		PHASE B	
5332.0		4510.0	

	CONN. kVA	DEMAND %	DEMAND kVA
LIGHTING	2.2	125	2.7
RECEPTACLES < 10 kVA	0.2	100	0.2
RECEPTACLES > 10 kVA	0.0	50	0.0
LARGEST MOTOR	1.5	125	1.9
MOTORS	0.0	100	0.0
HEAT	0.0	100	0.0
MISCELLANEOUS 2	0.0	100	0.0
DEDICATED CIRCUITS 3	6.0	100	6.0
MISCELLANEOUS 4	0.0	100	0.0

TOTAL KVA: 10.8 **TOTAL AMPS:** 44.8

SERIES RATING SPECIFICATIONS:
 PANEL AND UPSTREAM FUSES SHALL BE SUPPLIED AS FOLLOWS TO ACHIEVE 100,000 AIC SERIES RATING COMBINATION:
 MAIN SERVICE DISCONNECT: 100A2P, NEMA 3R, WITH 100 FRN-R FUSES (RE: SHEET E2. 0)
 PANEL CATALOG NUMBER: EATON #BR1616-B100
 MAIN CIRCUIT BREAKER TYPE: EATON #BR100
 BRANCH CIRCUIT BREAKER TYPE: EATON #BR

Drawn By	Date	Change
MM	11.01.17	UPDATED TO MONIGLE S1, S2, S3 DWG DATED 10.18.17
DLR	03.29.18	ADDED WATRONIX HEATER/AC UNIT
DLR	04.25.18	REMOVED WAYFINDING, CENTERED LOGO & REPLACED INFILL W/ ACM
DLR	05.23.18	MONIDLGE UPDATES
DLR	09.10.18	CORRECTED ROOF AND SHIPPING STAND DIMS.
DLR	09.15.18	ADDED NEW GAS LIFTER DETAILS

This document is the sole property of Architectural Graphics, Inc., and all design, manufacturing, reproduction, use and sale rights regarding the same are expressly forbidden. It is submitted under a confidential relationship, for a special purpose, and the recipient, by accepting this document assumes custody and agrees that this document will not be copied or reproduced in whole or in part, nor its contents revealed in any manner or to any person except for the purpose for which it was tendered, nor any special features peculiar to this design be incorporated in other projects.

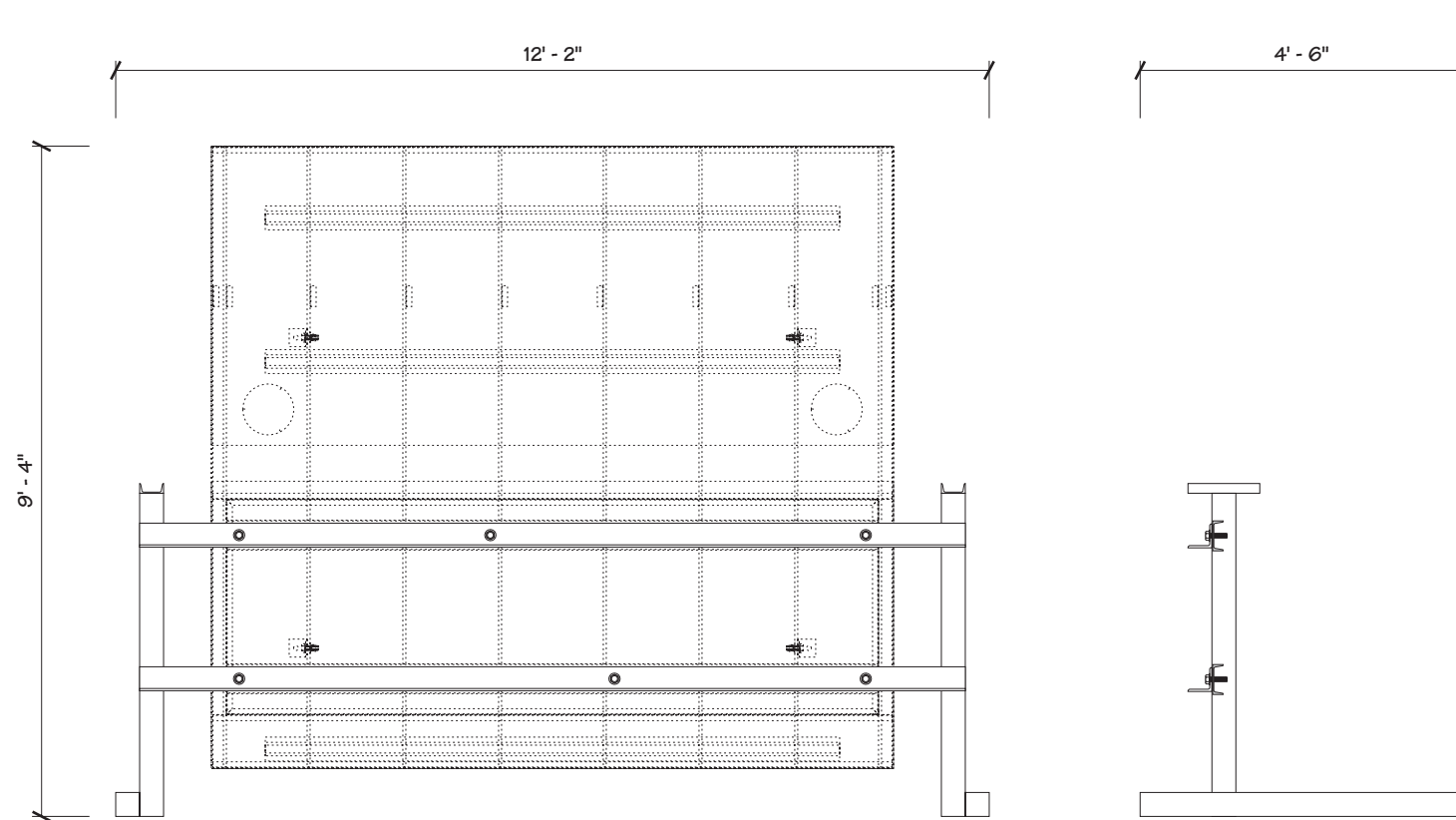
Code 6894 **Type** C

Sign Type FRAME-R-EXT-NG-WU-KIO-DBL-D7705 **PG #:** 29

General Sign Specifications

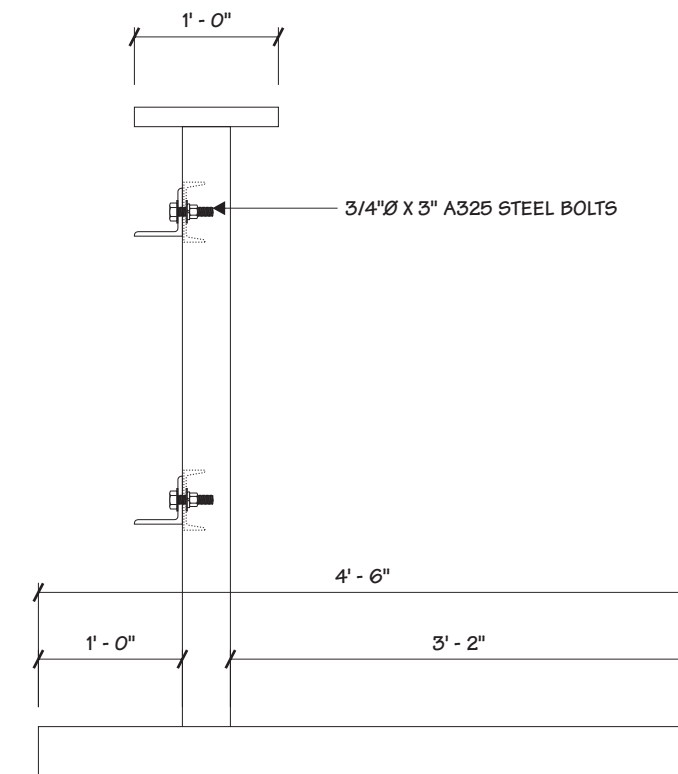
- Interior Exterior
- Single Faced Double Faced
- Non-Illuminated
- Illuminated
- 120 Volts Amps(+/-)

Location _____
Windload _____

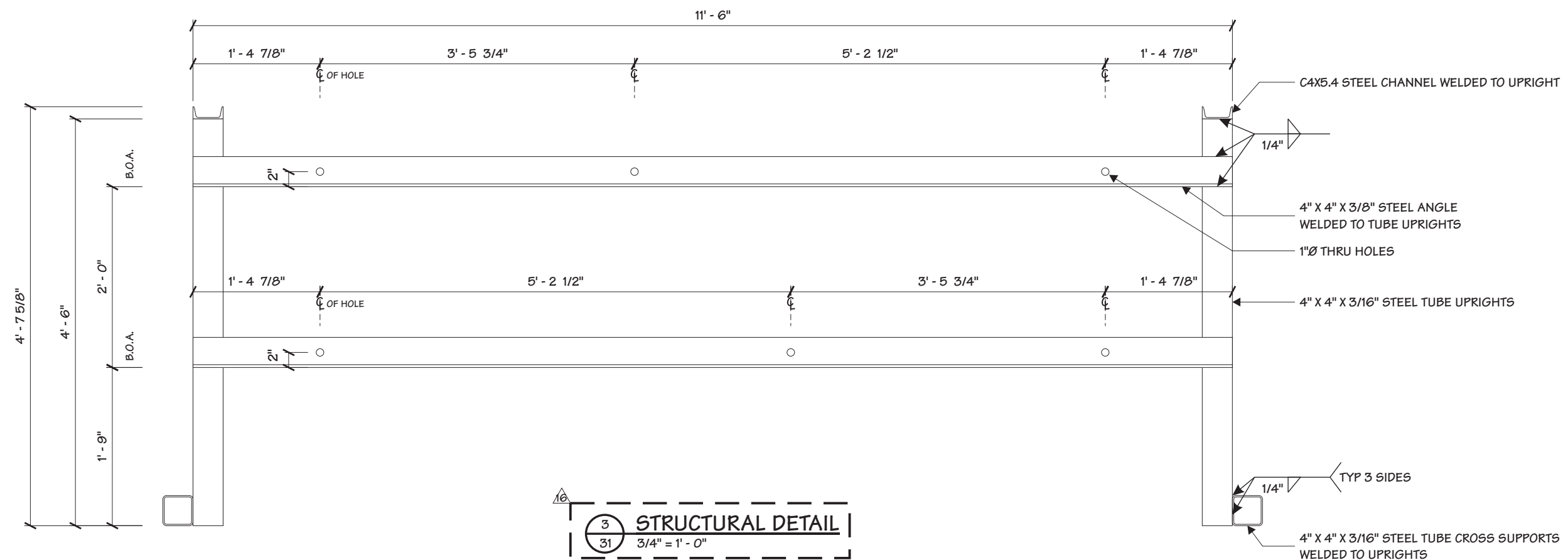


1 FRONT ELEVATION
 31 3/8" = 1' - 0"

2 SIDE VIEW
 31 3/8" = 1' - 0"



4 SIDE DETAIL
 31 3/4" = 1' - 0"



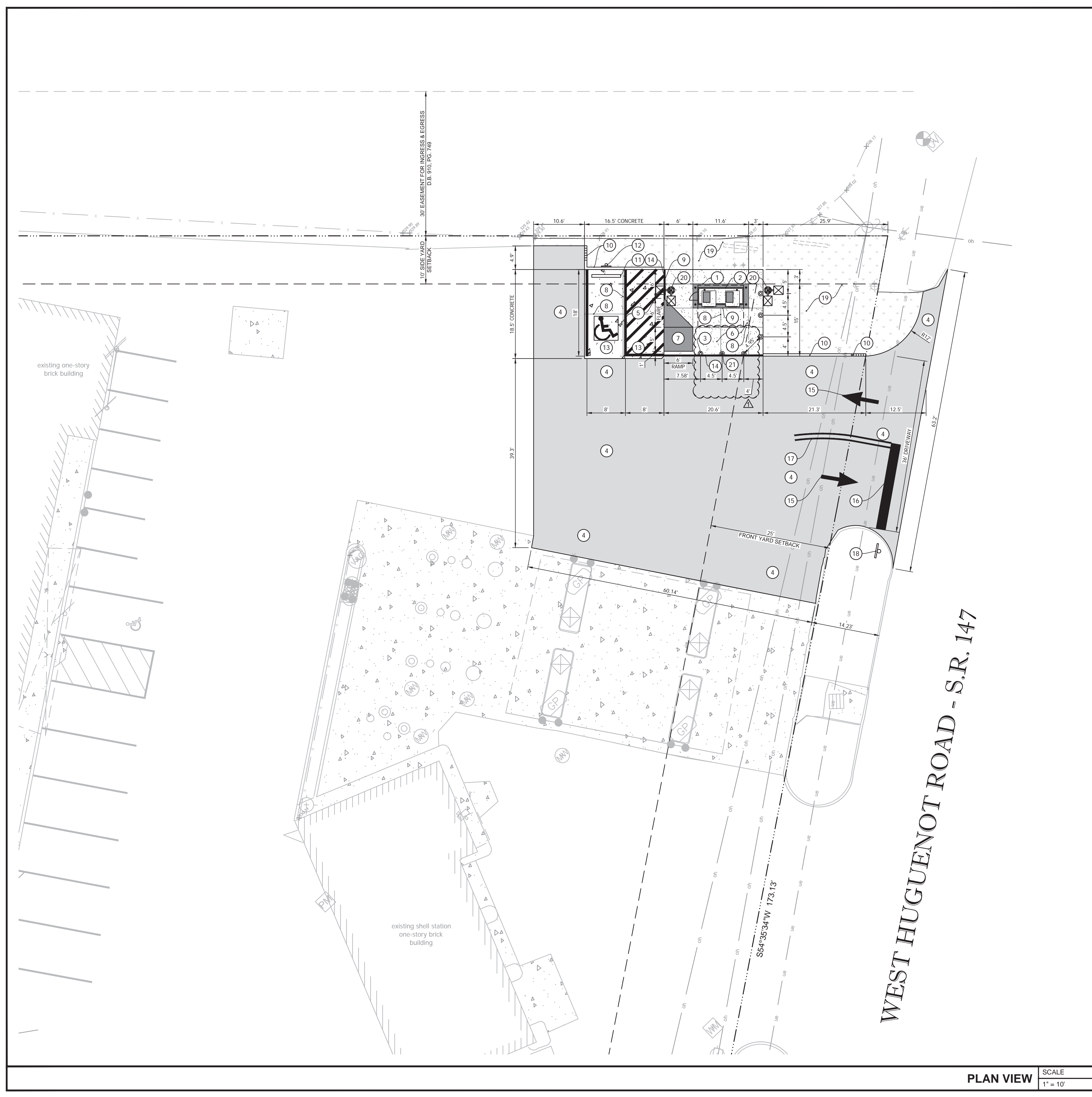
3 STRUCTURAL DETAIL
 31 3/4" = 1' - 0"

Change	Date	By	Change
11.01.17	MM	MM	UPDATED TO MONIGLE S1, S2, S3 DWG DATED 10.18.17
03.29.18	DLR	DLR	ADDED WATRONIX HEATER/AC UNIT
04.25.18	DLR	DLR	REMOVED WAYFINDING, CENTERED LOGO & REPLACED INFILL W/ ACM
05.23.18	DLR	DLR	MONIDLGE UPDATES
09.10.18	DLR	DLR	CORRECTED ROOF AND SHIPPING STAND DIMS.
09.15.18	DLR	DLR	ADDED NEW GAS LIFTER DETAILS

This document is the sole property of Architectural Graphics, Inc., and all design, manufacturing, reproduction, use and sale rights regarding the same are expressly forbidden. It is submitted under a confidential relationship, for a special purpose, and the recipient, by accepting this document assumes custody and agrees that this document will not be copied or reproduced in whole or in part, nor its contents revealed in any manner or to any person except for the purpose for which it was tendered, nor any special features peculiar to this design be incorporated in other projects.

Code	Type
6894	C

Sign Type	PG #:
FRAME-R-EXT-NG-WU-KIO-DBL-D7705	31

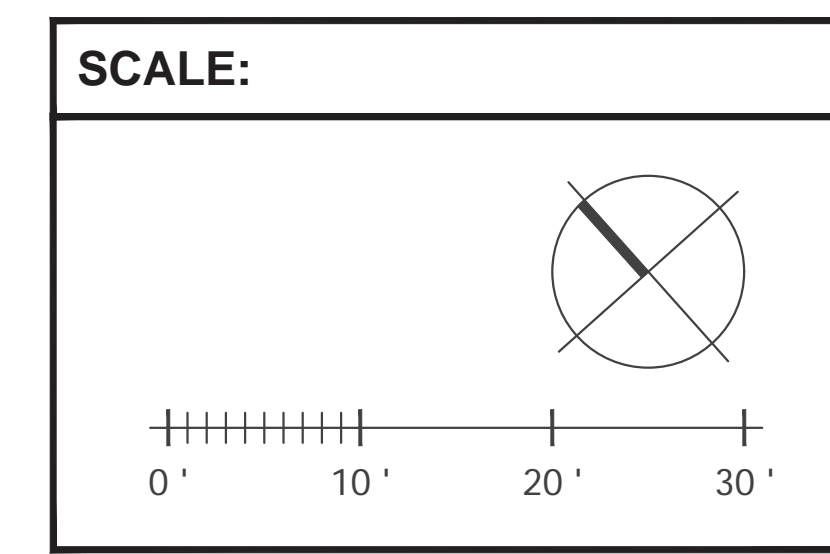
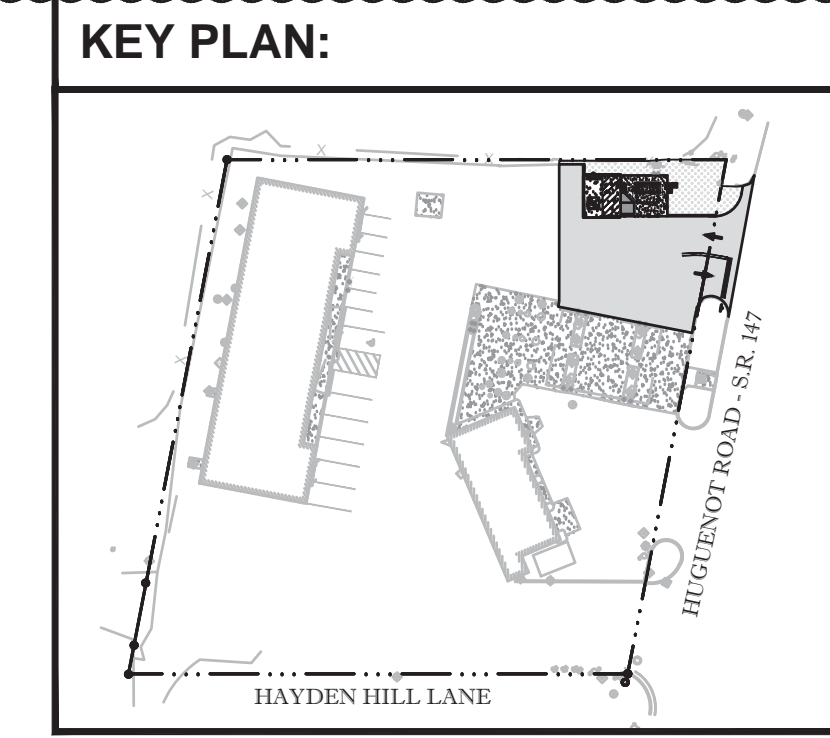


LEGEND:

	PROPERTY LINE		PROPOSED PAVEMENT EXISTING TO REMAIN
	EXISTING CONCRETE PAVEMENT TO REMAIN		EXISTING GAS
	PROPOSED CONCRETE LESS THAN 6"		EXISTING SANITARY
	PROPOSED CONCRETE MORE THAN 6"		EXISTING TELEPHONE
	PROPOSED ASPHALT PAVEMENT		EXISTING ELECTRIC
	PROPOSED LANDSCAPE (SOD GROUNDCOVER)		EXISTING OVERHEAD LINE
	PROPOSED ADA RAMP		EXISTING WATER
			EXISTING CONTOUR

KEYED NOTES:

1	NEW ATM FOUNDATION / CONCRETE SLAB. SEE ARCHITECTURAL DRAWINGS.
2	NEW WALK UP ATM SYSTEM AND REQUIRED BOLLARDS. SEE ARCHITECTURAL DRAWINGS.
3	NEW 6" BOLLARD(S) (TYPICAL OF 5). SEE DETAIL, SHEET C12.02.
4	NEW ASPHALT PAVEMENT. SEE GRADING PLAN & DETAILS, SHEETS C03.01 & C12.01.
5	NEW 6-INCH TINTED BLACK CONCRETE PAVEMENT. SEE GRADING PLAN & DETAILS, SHEETS C03.01 & C12.01.
6	NEW CONCRETE SIDEWALK. MAXIMUM 1:48 SLOPES IN ALL DIRECTIONS. SEE GRADING PLAN & DETAILS, SHEETS C03.01 & C12.01.
7	NEW ADA RAMP. MAXIMUM 1:48 CROSS AND 1:12 RUNNING SLOPES. 5' IN LENGTH LEVEL LANDING SHALL BE PROVIDED AT TOP AND BOTTOM. SEE GRADING PLAN & DETAILS, SHEETS C03.01 & C12.01.
8	SAWCUT A 1/4" CONTROL JOINT IN NEW SIDEWALK AS SHOWN. NEW CONTROL JOINT DEPTH MUST BE A MINIMUM OF 25% OF THE OVERALL SLAB DEPTH AND BE PERFORMED WITHIN 12 HR OF POUR. (TYPICAL). SEE DETAILS, SHEET C12.01.
9	EXPANSION JOINTS (TYPICAL). SEE DETAILS, SHEET C12.01.
10	NEW 6"x18" VERTICAL CURB (TYPICAL). 3' TRANSITION AS NOTED ON PLAN. SEE DETAILS, SHEET C12.01.
11	NEW CONCRETE WHEEL STOP. SEE DETAILS, SHEET C12.01.
12	NEW VAN ACCESSIBLE HANDICAP SIGN. SEE DETAILS, SHEET C12.02.
13	NEW HANDICAP PARKING SPACE AND ACCESS AISLE. SEE DETAILS, SHEET C12.01.
14	NEW CURB/SIDEWALK PAINTING (2-COATS). 4-INCH "SAFETY YELLOW" ON TOP AND COMPLETE FACE OF SIDEWALK.
15	NEW "WHITE" PAINTED DIRECTIONAL ARROWS.
16	NEW 24-INCH "WHITE" PAINTED STOP BAR.
17	NEW 6-INCH "DOUBLE YELLOW" PAINTED STRIPING.
18	NEW R1-1 "STOP" SIGN. SEE DETAILS, SHEET C12.02.
19	CLEAN FILL AND SOD TO MATCH EXISTING.
20	NEW LIGHT POLE. SEE ELECTRICAL SHEETS FOR SPECIFICATIONS AND DETAILS.
21	NEW R7-1 "NO PARKING ANY TIME" SIGN WITHIN BOLLARD. SEE DETAIL C12.02.



BANK OF AMERICA

8762 W. HUGUENOT ROAD
RICHMOND, VA
SERIAL NUM./MANH. ID: VAW-419
NRSP VERSION: 2.0
BULLETIN: 01-2019

Gensler

214 North Tryon Street Suite 2320 Charlotte, NC 28202 United States
Tel 704.377.2725 Fax 704.377.2807

INFINITY
INFINITY ENGINEERING GROUP, LLC

Infinity Engineering Group, PLLC
1336 Harding Place
Charlotte, NC 28204
Contact: Kiffin Walker
Kiffin.Walker@ieggroup.net
Tel 813.434.4770
Certificate of Authorization #0407006113

CBRE

CBRE Third Party Project Management
1111 E. Main Street, Suite 1002
Richmond, VA 23219
Contact: Stephen Hruska
Tel 804 489 5028

Date	Description
09/13/19	SPECIAL USE PERMIT REVIEW
12/02/19	REVISED PER SUP COMMENTS

Seal / Signature

NISIT SAPPARKHAO, P.E.
VA REG. NO. 402046149

DATE

Project Name
BON AIR- RATM

Project Number
059.6500.274 / 10-936.00

Description
SITE PLAN

Scale
NOT TO SCALE

C02.01