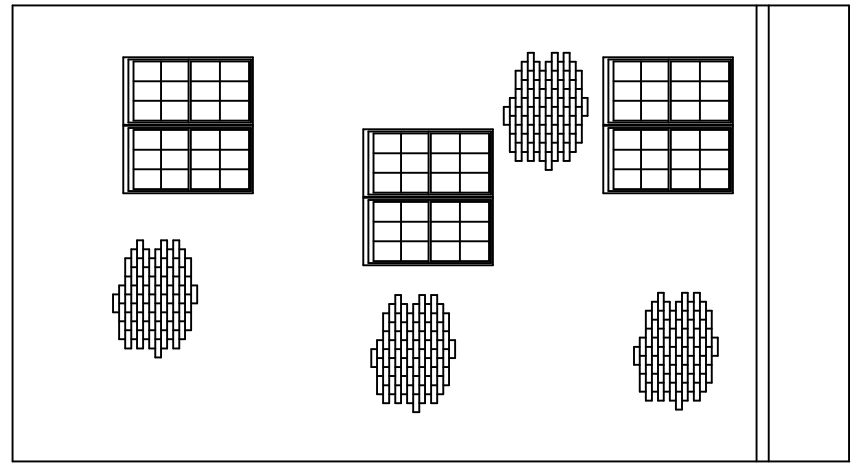
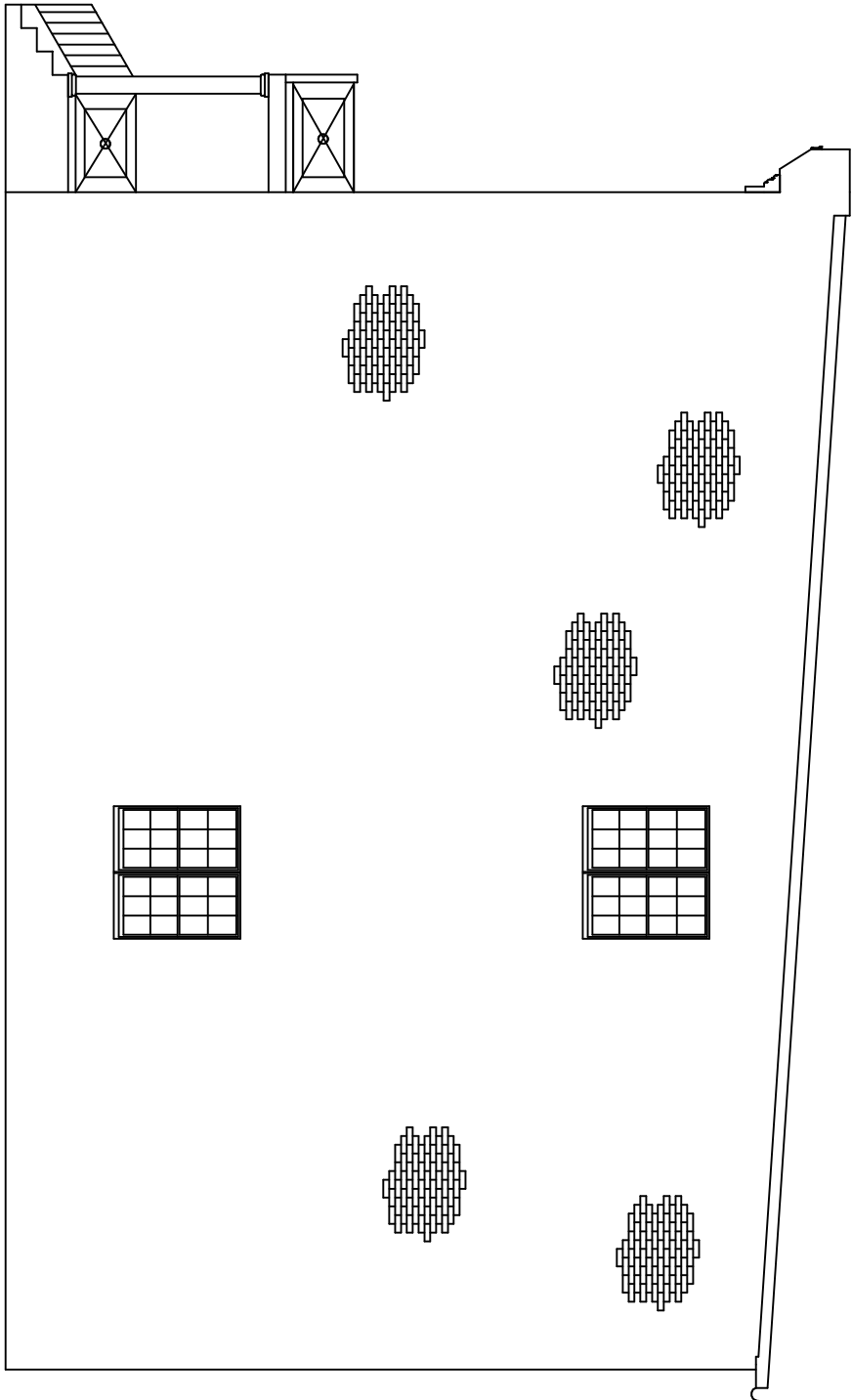


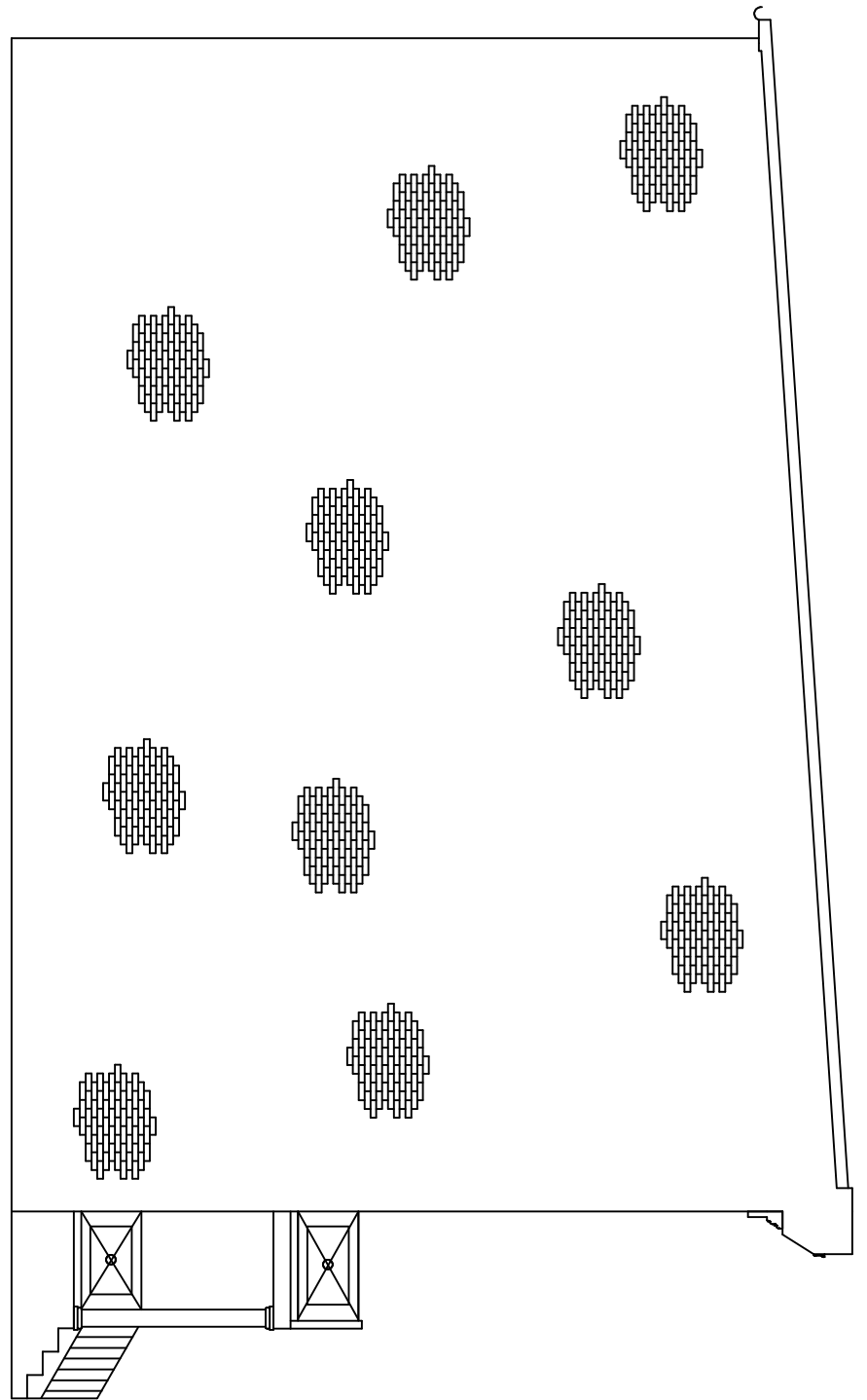
FRONT ELEVATION



REAR ELEVATION



RIGHT ELEVATION



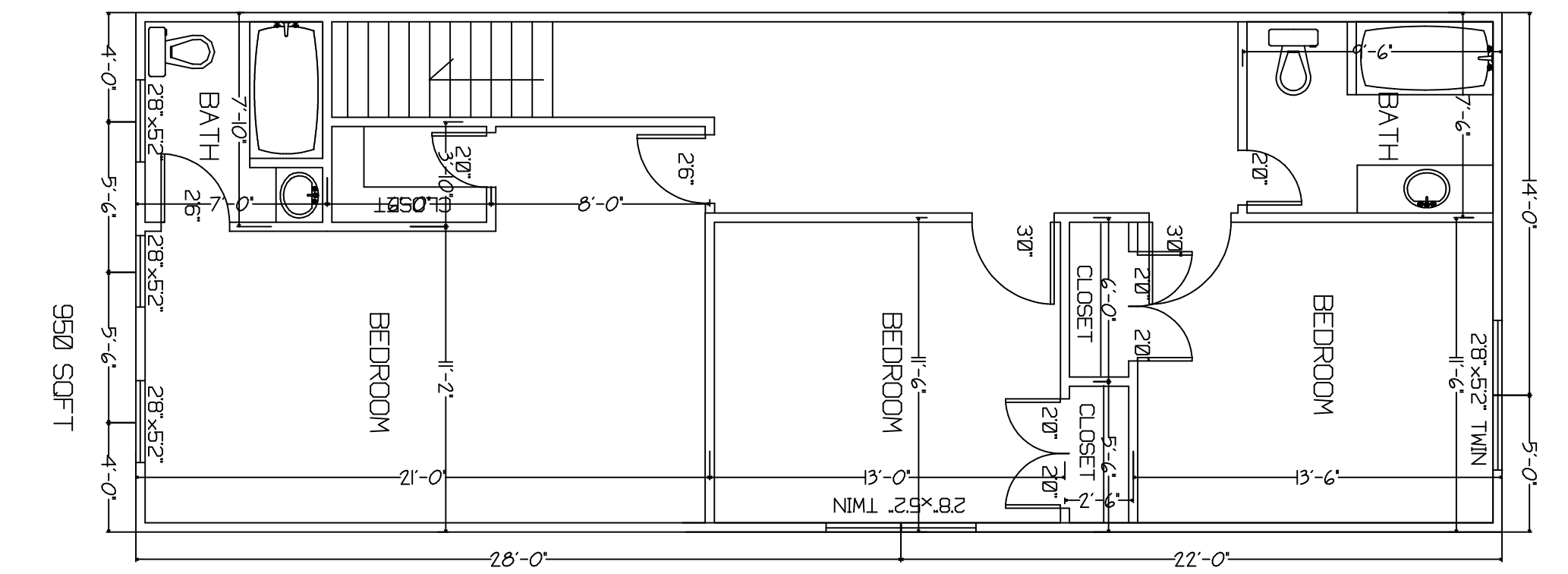
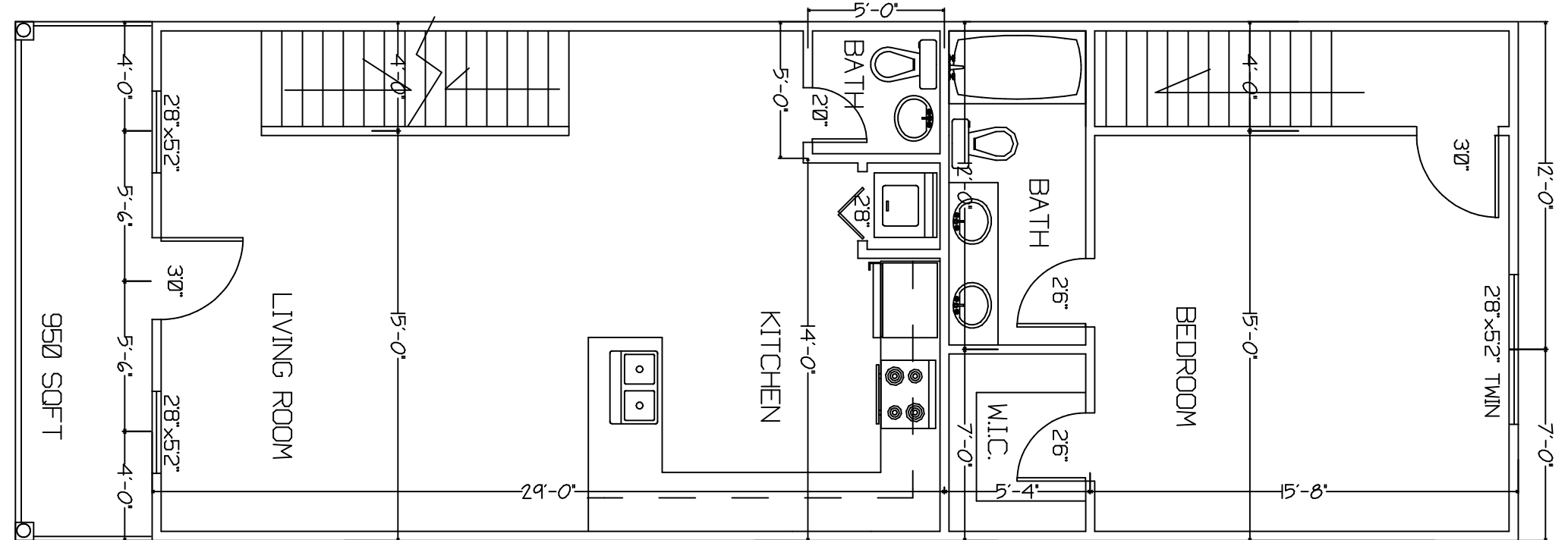
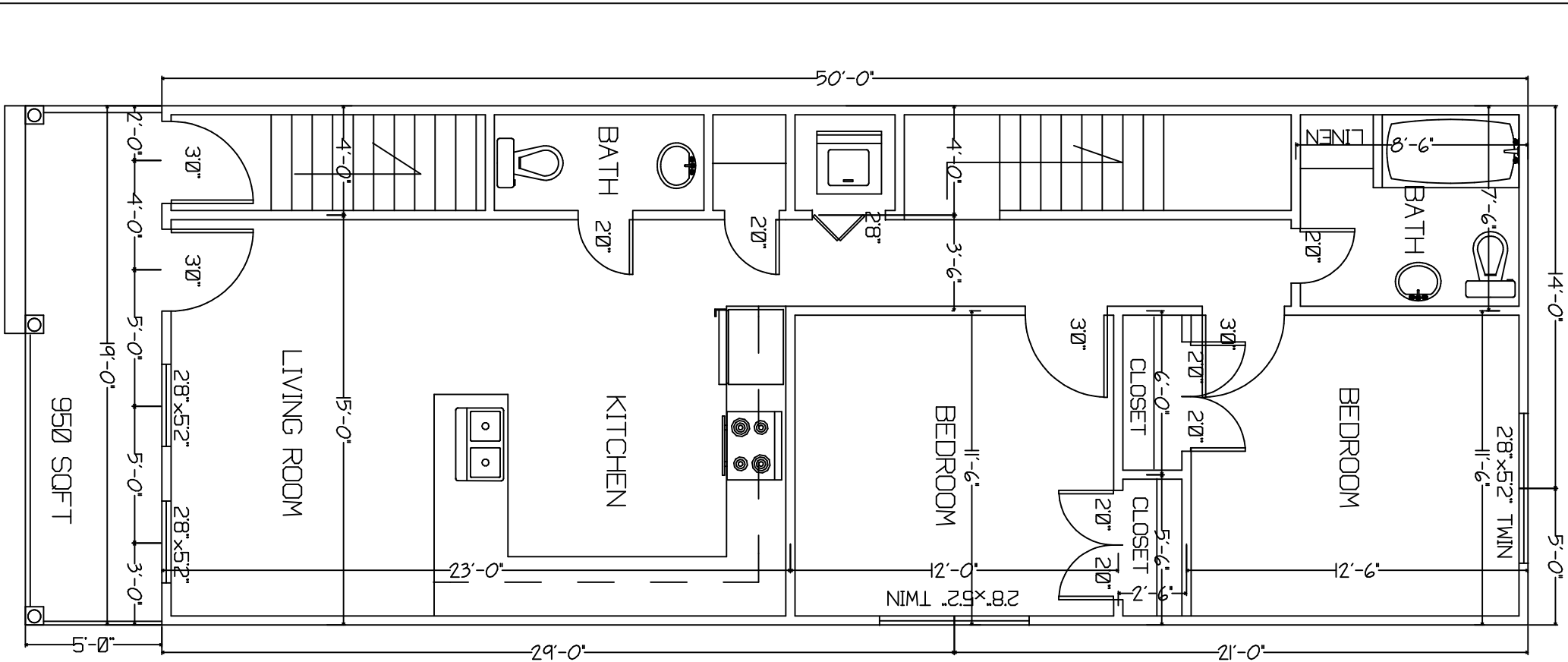
LEFT ELEVATION

1  
OF  
2

THIS PLAN WAS DESIGNED FOR  
CARY ST

NetCadDrafting.com  
RESIDENTIAL HOUSE PLAN  
SERVICES  
804-640-0791

DATE OF PLANS  
11/25/15  
PLANS DRAWN BY  
BRAD PRICE



THIS PLAN WAS DESIGNED FOR  
CARY ST

NetCadDrafting.com  
RESIDENTIAL HOUSE PLAN  
SERVICES  
804-640-0791

DATE OF PLANS  
11/25/15  
PLANS DRAWN BY  
BRAD PRICE