

Riverview Community Park



Project: Option 02

Date: 05/03/18

Model: As Noted

Rep: KOMPAN - Cody Burdette

Designer: MirRig

SCALE: 1/16" = 1'-0"



**FOR QUOTING ONLY
NOT FOR CONSTRUCTION**

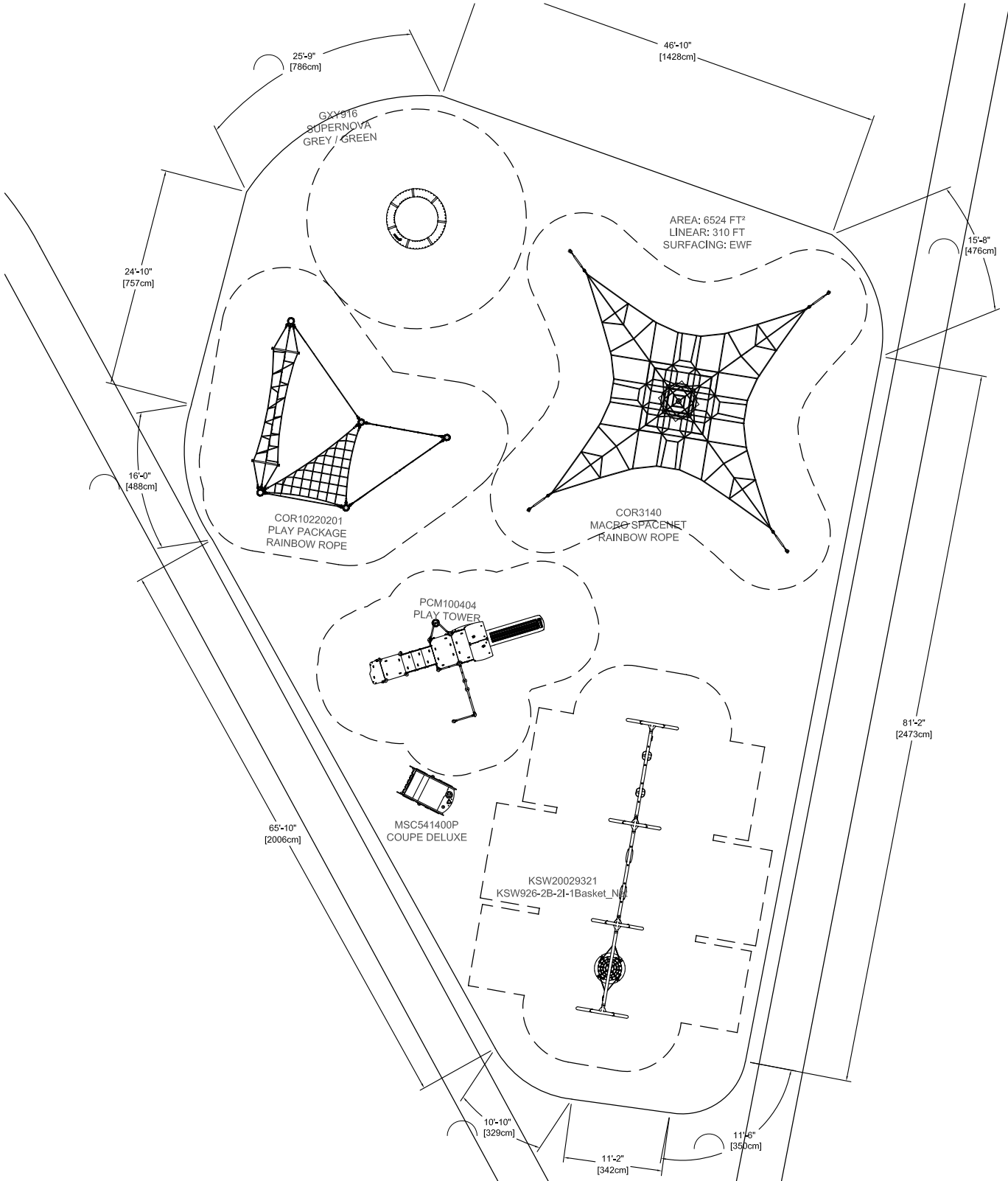
Printed in USA by KOMPAN. © 2018 KOMPAN, Inc., Austin, TX, USA. 800-426-9788

All composite structures shown require a site grade of 1% maximum.

For surface mount options, the concrete requirements may be up to 5½" of 3,500 psi minimum compressive strength. Contact KOMPAN for specific product requirements.

Site representation is based upon estimated site dimensions and cannot be used as an accurate way of determining site area.

Layout is in accordance with ASTM F1487





Best User Age: **5-12 years**

Footings: concrete, with min. 3500 psi compressive strength in well-compacted soil. In poor soil conditions, footing size may need to be enlarged.

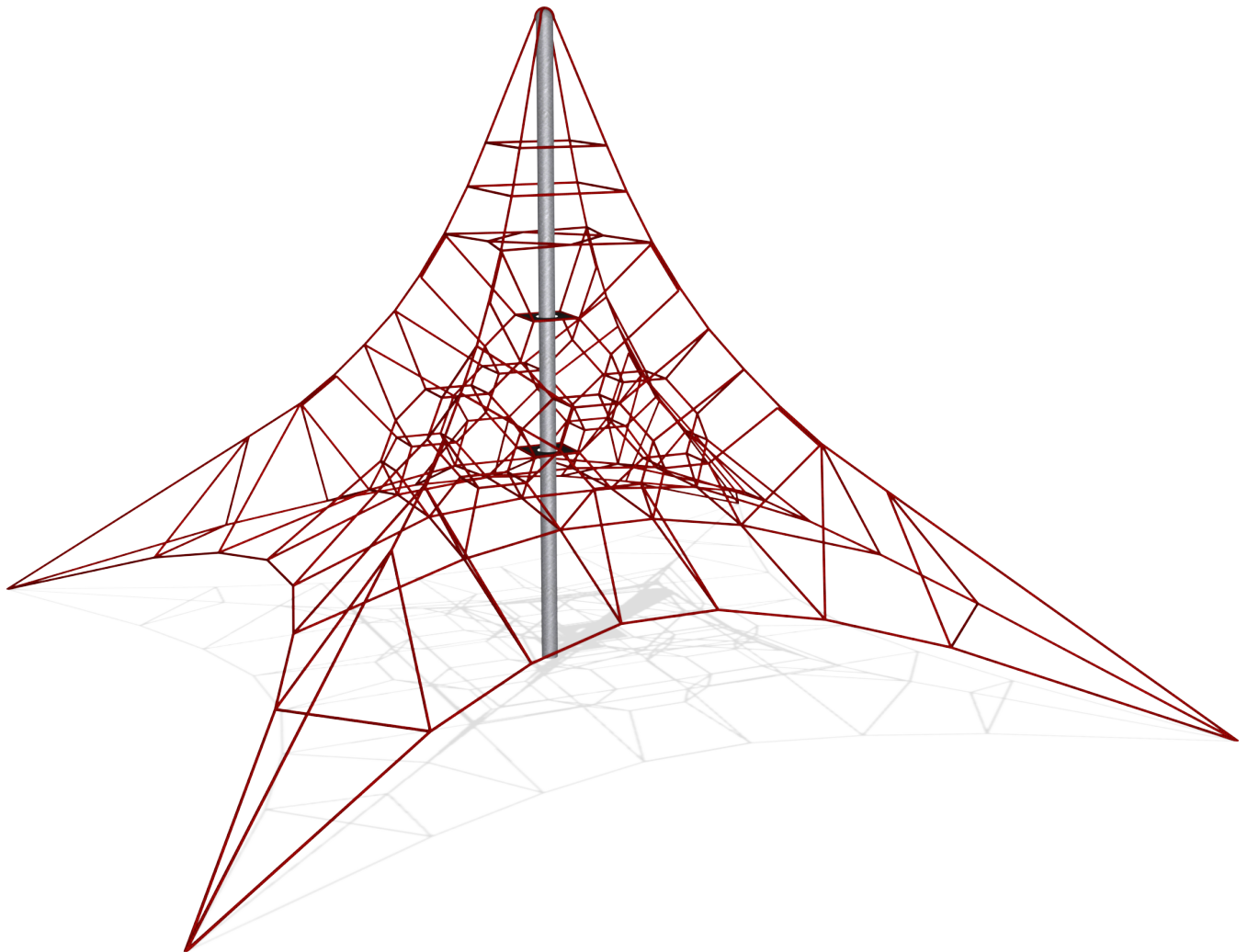
Technical information available at koman.com

ADA ANALYSIS

Elevated Activities: 0	Accessible Elevated Activities	Accessible Ground Level Activities	Accessible Ground Level Play Types
Present	0	1	1
Required	0	1	1



Available Colors



To verify product certification, visit www.ipema.org

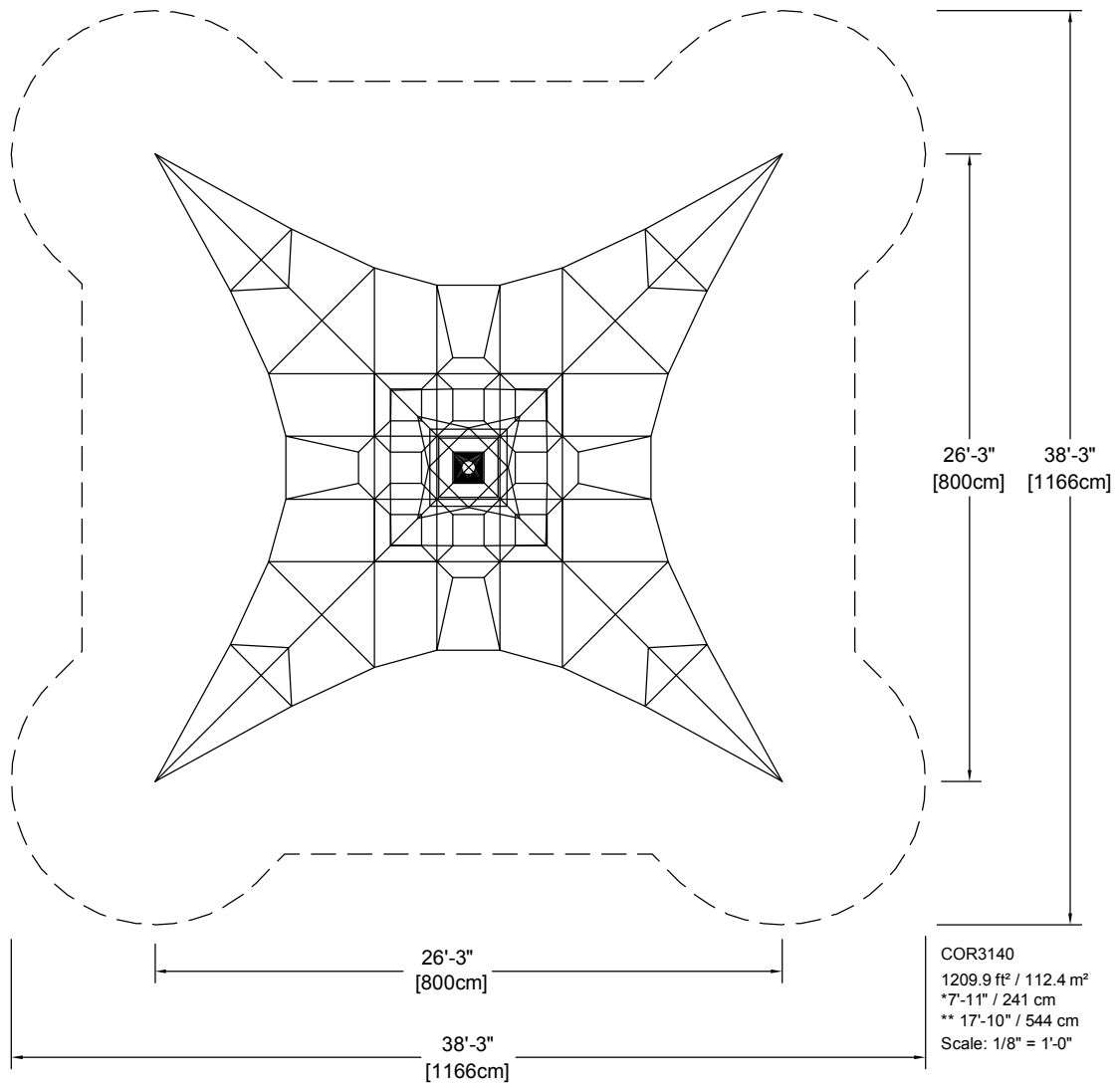
* = Highest designated play surface.

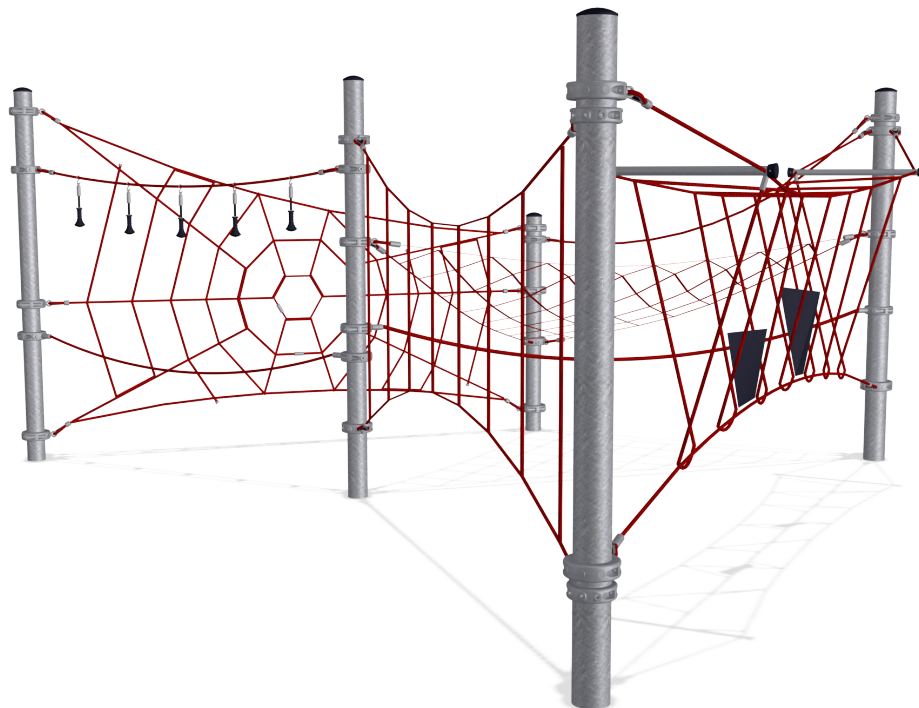
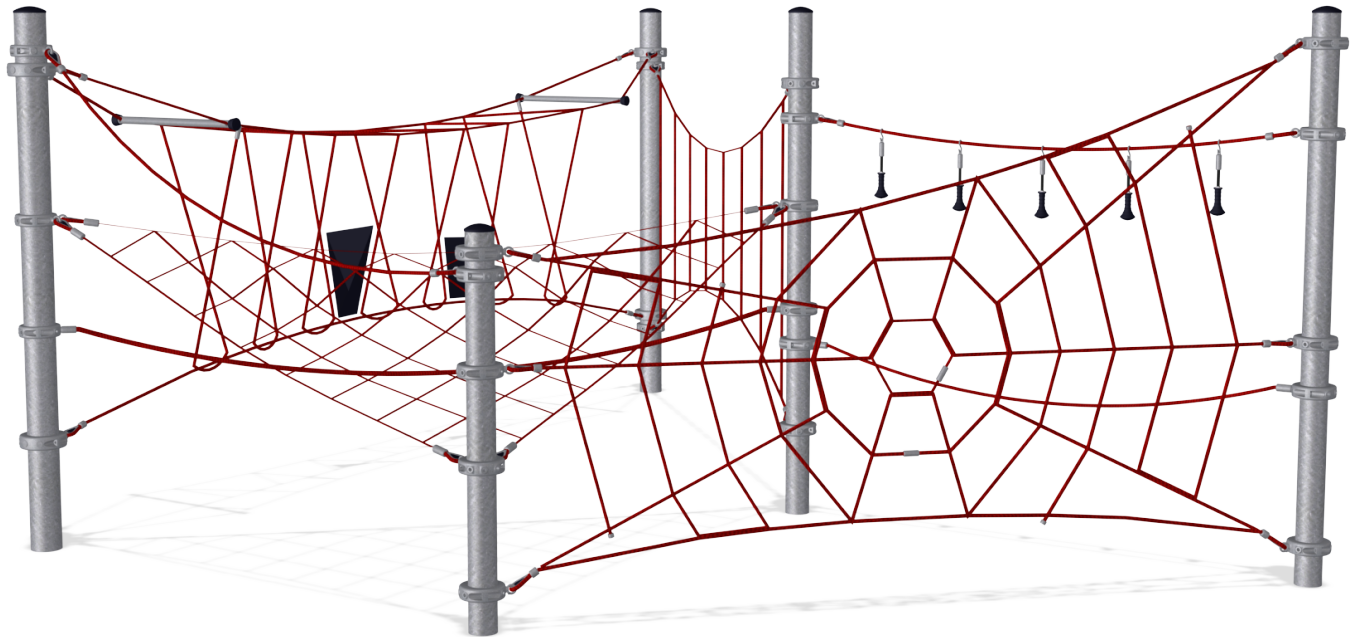
** = Total height of product.

Highest designated play surface and space required are according to ASTM F1487.

Equipment must be installed over resilient surfacing appropriate to the safety guidelines in your area.

Product development is an ongoing process. We reserve the right to make modifications on all our products. This product may not be mirrored, scaled or altered in any way. Safety zones must be retained for proper placement of equipment. If any changes are required, please contact your KOMPAN representative at 1.800.426.9788.







Best User Age: **5-12 years**

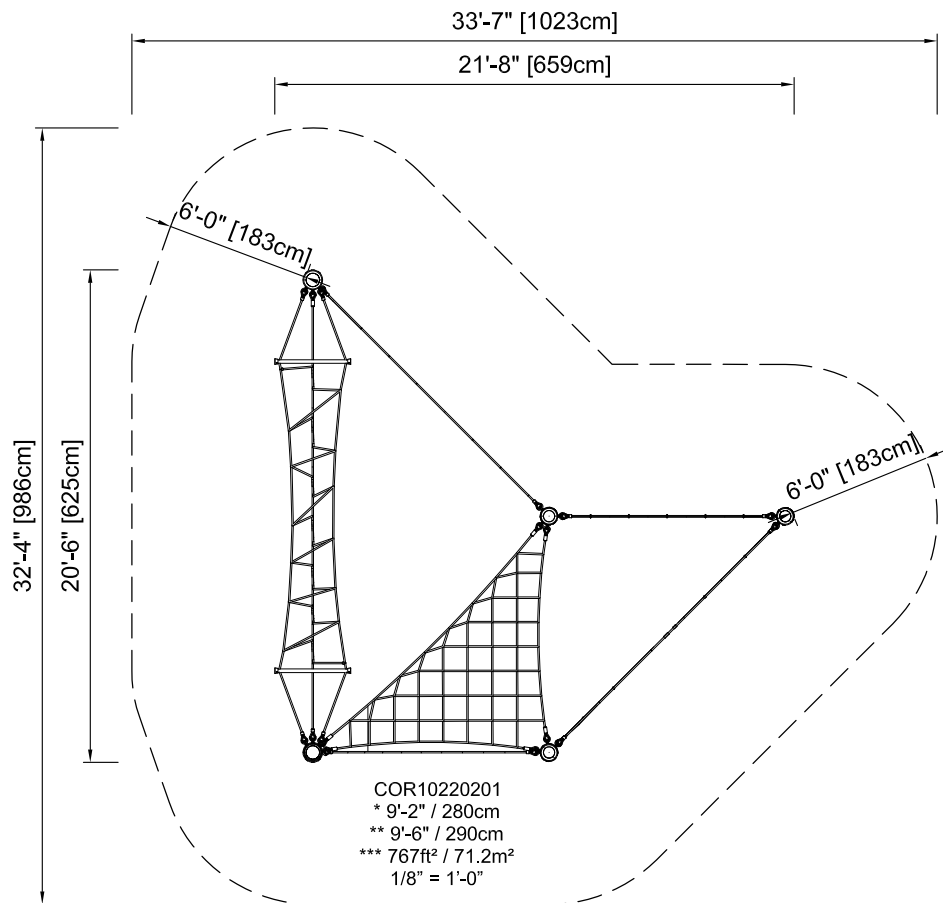
Footings: In-ground installation

Technical information available at koman.com

ADA ANALYSIS	Elevated Activities	Ground Level Activities	Ground Level Play Types
Present	0	8	3
Accessible	0	8	3
Required	0	3	3



Available Cable Colors



To verify product certification, visit www.ipema.org

- * = Highest designated play surface.
- ** = Total height of product.
- *** = Total area of safety zone.

Highest designated play surface, space required and total area of safety zone are according to ASTM F1487.

Equipment must be installed over resilient surfacing appropriate to the safety guidelines in your area.

Product development is an ongoing process. We reserve the right to make modifications on all our products. This product may not be mirrored, scaled or altered in any way. Safety zones must be retained for proper placement of equipment. If any changes are required, please contact your KOMPAN representative at 1.800.426.9788.



Best User Age: **5+ years**

Footings: In-ground posts
Surface installation also available

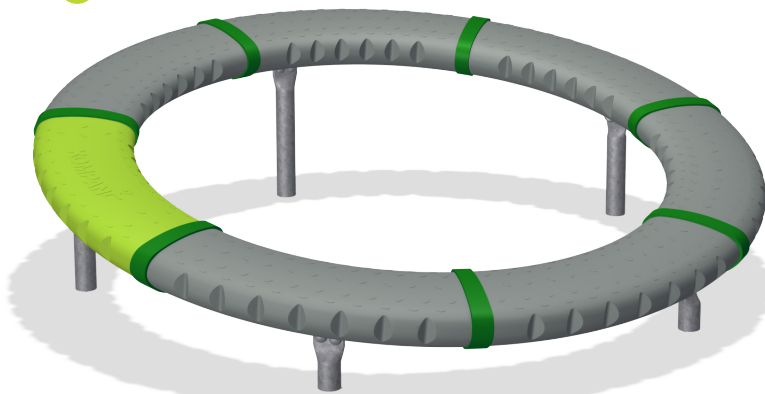
Technical information available at koman.com

ADA ANALYSIS

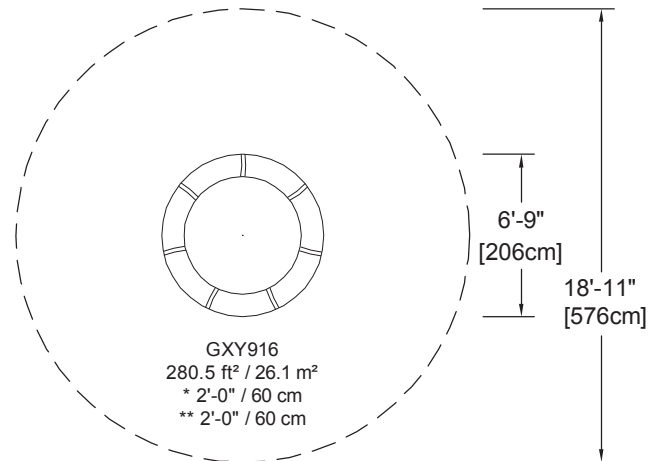
Elevated Activities: 0	Accessible Elevated Activities	Accessible Ground Level Activities	Accessible Ground Level Play Types
Present	0	1	1
Required	0	1	1



● Green



● Blue



Scale: 1/8"=1'



To verify product certification, visit www.ipema.org

* = Highest designated play surface.
** = Total height of product.

Highest designated play surface and space required are according to ASTM F1487.

Equipment must be installed over resilient surfacing appropriate to the safety guidelines in your area.

Product development is an ongoing process. We reserve the right to make modifications on all our products. This product may not be mirrored, scaled or altered in any way. Safety zones must be retained for proper placement of equipment. If any changes are required, please contact your KOMPAN representative at 1.800.426.9788.





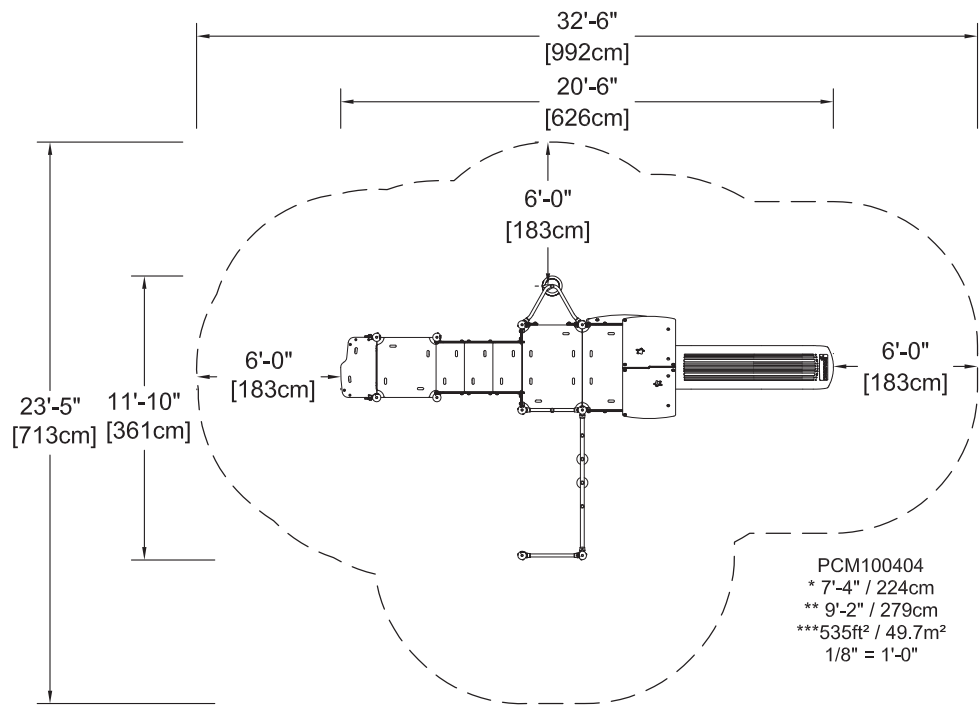
Best User Age: **2-5 years**

Footings: In-ground posts
Surface installation also available

Technical information available at kompan.com

ADA ANALYSIS	Elevated Activities: 4	Accessible Elevated Activities	Accessible Ground Level Activities	Accessible Ground Level Play Types
	Present	4	1	1
	Required	2	1	1

Available Options:



To verify product certification, visit www.ipema.org

- * = Highest designated play surface.
- ** = Total height of product.
- *** = Total area of safety zone.

Highest designated play surface, space required and total area of safety zone are according to ASTM F1487.

Equipment must be installed over resilient surfacing appropriate to the safety guidelines in your area.

Product development is an ongoing process. We reserve the right to make modifications on all our products. This product may not be mirrored, scaled or altered in any way. Safety zones must be retained for proper placement of equipment. If any changes are required, please contact your KOMPAN representative at 1.800.426.9788.



Best User Age: **6 months - 4 years**

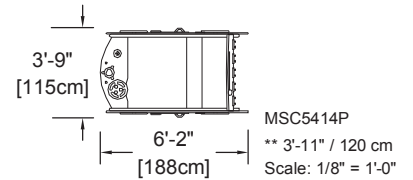
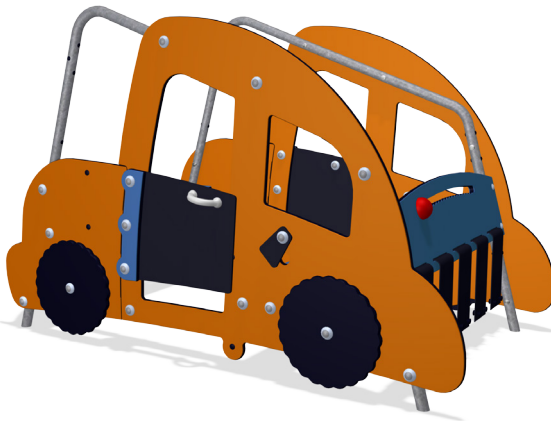
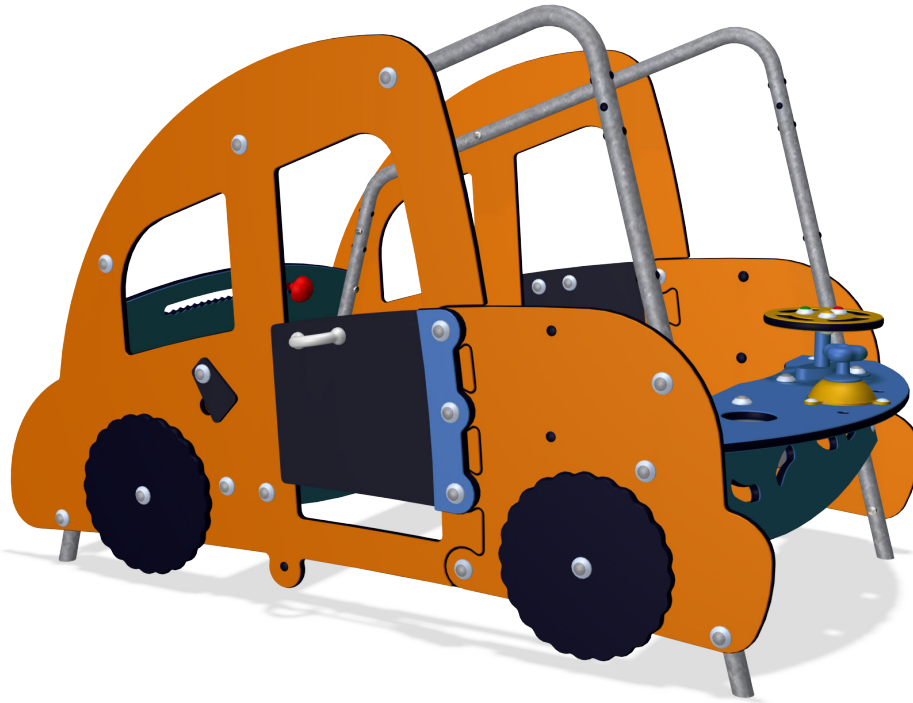
Footings: In-ground posts
Surface installation also available

Technical information available at kompan.com

ADA ANALYSIS

Elevated Activities: 0	Accessible Elevated Activities	Accessible Ground Level Activities	Accessible Ground Level Play Types
Present	0	1	1
Required	0	1	1

MOMENTS



Meets ASTM F2373 requirements for children ages 6-23 months.



To verify product certification, visit www.ipema.org

* = Highest designated play surface.
** = Total height of product.

Highest designated play surface and space required are according to ASTM F1487.

Equipment must be installed over resilient surfacing appropriate to the safety guidelines in your area.

Product development is an ongoing process. We reserve the right to make modifications on all our products. This product may not be mirrored, scaled or altered in any way. Safety zones must be retained for proper placement of equipment. If any changes are required, please contact your KOMPAN representative at 1.800.426.9788.

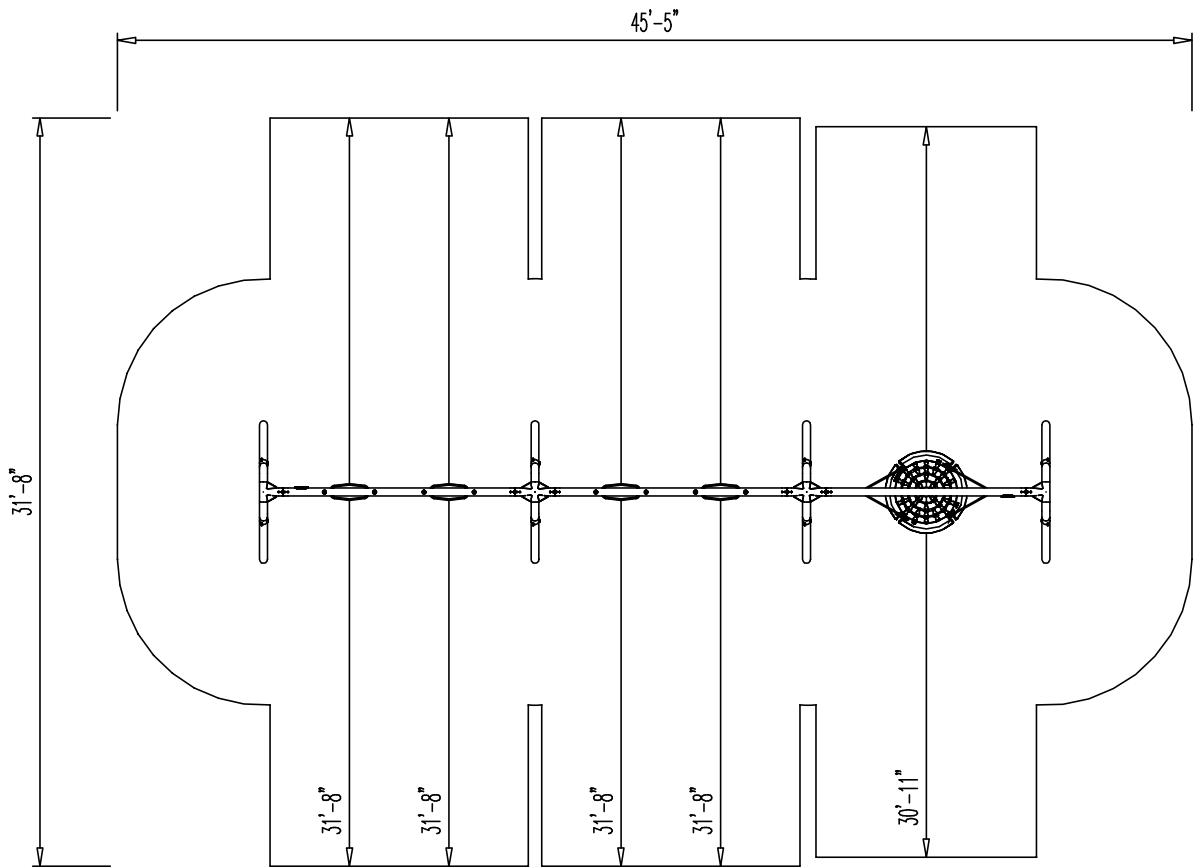


Best User Age: **2-12 years**

Footings: In-ground installation
Surface installation also available

Technical information available at koman.com

ADA ANALYSIS	Elevated Activities	Ground Level Activities	Ground Level Play Types
Present	0	1	1
Accessible	0	1	1
Required	0	1	1



To verify product certification, visit www.ipema.org

* = Highest designated play surface.

** = Total height of product.

*** = Total area of safety zone.

Highest designated play surface, space required and total area of safety zone are according to ASTM F1487.

Equipment must be installed over resilient surfacing appropriate to the safety guidelines in your area.

Product development is an ongoing process. We reserve the right to make modifications on all our products. This product may not be mirrored, scaled or altered in any way. Safety zones must be retained for proper placement of equipment. If any changes are required, please contact your KOMPAN representative at 1.800.426.9788.