

**Cava Capital-2808 E Leigh St  
Richmond, VA 23223**

**Replacement windows:**

Windows will be installed per manufacture's specs and painted Sherwin Williams Extra White SW7006

Please see marked plans for which windows will be effected  
No windows on the front elevation or rear will be replaced



ECE VED

DEC 22 2016

12:15

**Pictures of current state of windows to be replaced**



**Pictures of current state of windows to be replaced**



**Pictures of current state of windows to be replaced**



# Pictures of Serra Pacific Windows



This picture is a representation of the PK-278 wood window series. The mullion pattern will be 2 over 2 on side elevations to match the existing patterns \*see cut sheet



Exterior view of PK-278 series



Style of lock of PK-278 series



Interior view of PK-278 series

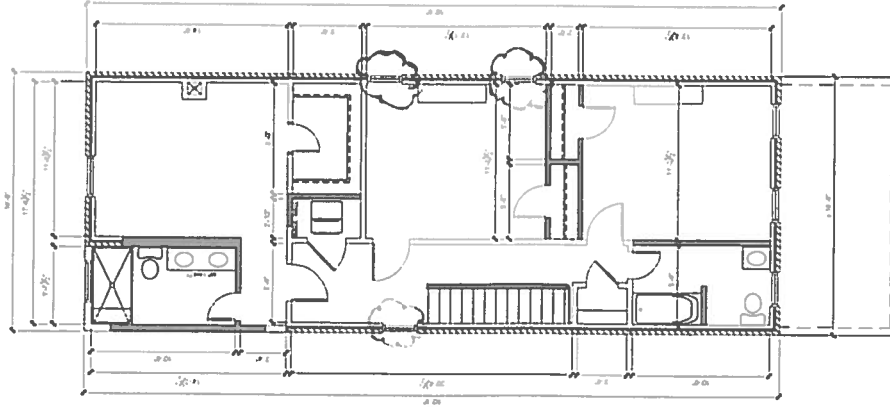
OFFICE 804 510 0333  
 5310 MARKEL RD, SUITE 104  
 RICHMOND, VA 23230



SINGLE FAMILY RESIDENCE  
 2808 E. LEIGH STREET  
 RICHMOND, VA 23223

DATE: 04.29.15

A-1

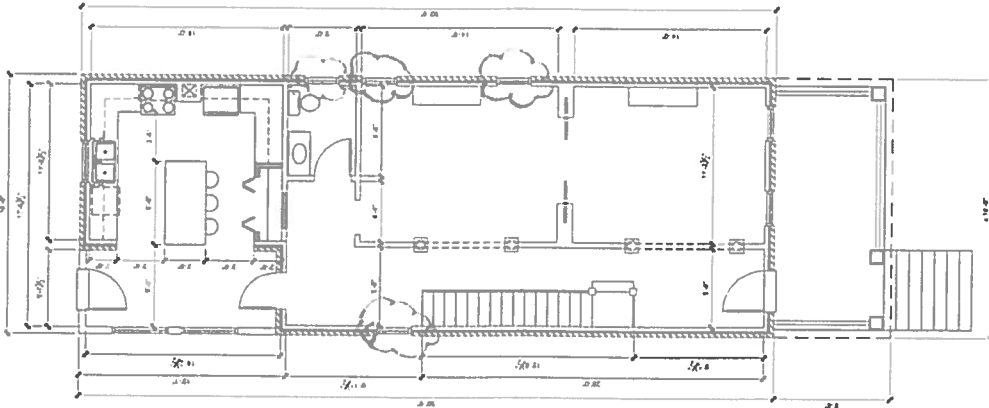


PROPOSED  
 SECOND FLOOR PLAN  
 SCALE 1/8" = 1'-0"

SQUARE FOOTAGE	
1ST FLOOR	952 S.F.
2ND FLOOR	952 S.F.
TOTAL	1,904 S.F.

LEGEND:

- INDICATES EXISTING CONSTRUCTION
- - - - - INDICATES NEW WALL CONSTRUCTION 2x4 @ 16" OC



PROPOSED  
 FIRST FLOOR PLAN  
 SCALE 1/8" = 1'-0"



**BILL TO:**

**SHIP TO:**

Phone  
Email  
Contact Info

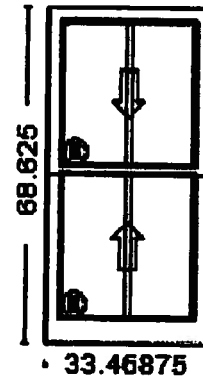
Phone  
Fax  
Contact Info

QUOTE #	QUOTE DATE	CUSTOMER PO#	ORDER PLACED BY	DATE REQUESTED
848756	Quote Not Ordered		MSellEW	1/1/0001
JOB NAME	BID BY		ORDER DATE	SHIP DATE
			Quote Not Ordered	1/1/0001

LINE #	LINE TYPE	DESCRIPTION	QTY	U/M
--------	-----------	-------------	-----	-----

100-1 WindowAndDoor PK-278 1

**\*\*Wood products need exterior casing to be rated\*\***  
 Wood Windows Double Hung Operating 33.46875 x 68.625  
 28 x 30, Frame Width = 33.46875, Frame Height = 68.625, Sash Split = 50/50  
 Complete Unit, DP Rating = Standard  
 Pine Exterior, Frame Color = Primed Exterior, Natural, Pine Interior  
 Sash-Panel Color = Primed Exterior  
 Dual Insulated, Low-E, Standard Bead, Argon Gas = Yes, Spacer Channel = Standard Warm Edge Spacer  
 Hardware = Applied, White, Jamb Liner Type = Concealed, Lock-Keepers = 1-Lock, Window Opening Control Device = No  
 Screen Option = No Screen  
 Simulated Divided Lite, Equal, 1", Putty Style = Exterior Only, Exterior Grille Color = Primed Exterior, Natural, Pine Interior, w/spacer, 2W1H Basic Unit (No Brickmould-No Sill Nosing-Subsill)  
 4-9/16"  
 U-Factor = 0.29, SHGC = 0.22, CR = 60, VT = 0.39, CPD = SIE-N-112-00241-00003, Energy Star Region = NC,SC,S  
 Non-Manufacturer Related =  
 Unit 1: Glass Width = 28, Glass Height = 30, Lower Glass Sash Width = 30.375, Lower Glass Sash Height = 33.92188, Upper Glass Sash Width = 30.375, Upper Glass Sash Height = 32.60938  
**Rough Opening: 34.21875" X 69.125"**  
**Overall Unit Size: 33.46875" X 68.625"**



Room Location: 2 OVER 2

QUOTE #	QUOTE DATE	CUSTOMER PO#	ORDER PLACED BY	DATE REQUESTED
848756	Quote Not Ordered		MSellEW	1/1/0001
JOB NAME	BID BY		ORDER DATE	SHIP DATE
			Quote Not Ordered	1/1/0001

PROJECT	QUOTE
CAVA CAP	CHURCH HILL
Comments:	

**COMPANY**

Unless otherwise noted on the line item, this product is covered under a Sierra Pacific Windows limited warranty. Please see your dealer, the Websites ([www.Hurd.com](http://www.Hurd.com), [www.supersealwindows.com](http://www.supersealwindows.com)) or our marketing literature for a copy of the applicable limited warranty for specific language, limitations and exclusions.

The pricing on this Quote is valid for 30 days and not intended to be used as a final Invoice. The Quote does not include charges for Shop Drawings.

Sierra Pacific offers a variety of wood species produced in combinations of solid and veneer-wrapped wood parts that have varying grain patterns. Wood characteristics also vary due to the species of the wood. The combination of these items could result in color variations of the finished stained products. Outswing Doors will have a complementary species of wood threshold.

**RATINGS**

Oversized units and certain mulled/stacked configurations have not been tested and therefore have no design pressure (DP) rating. Job-specific engineering analysis may be available for these non-rated units. Please contact your DST group to determine available options for non-tested product. A complete list of tested products is available at [www.hurd.com](http://www.hurd.com).

The Transcend H3 products do not have a DP rating.

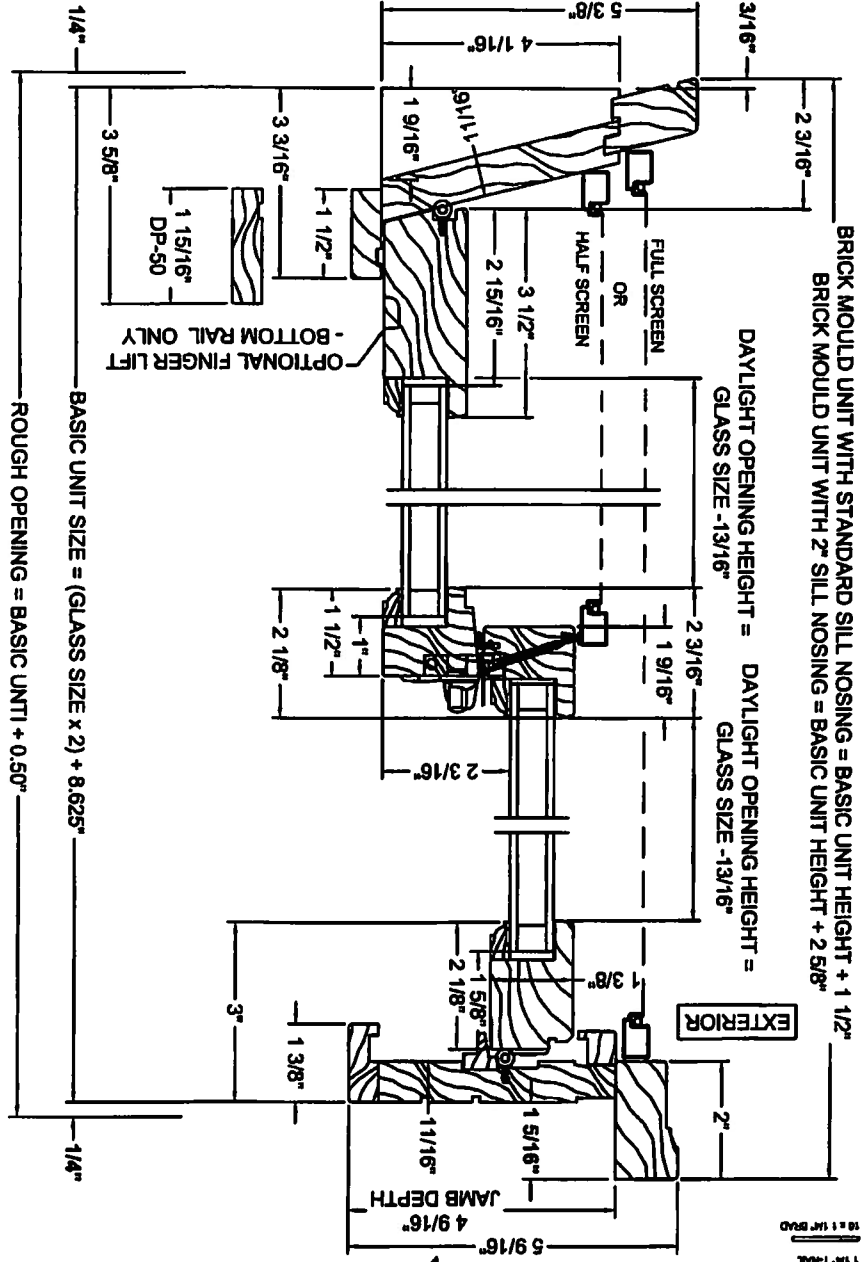
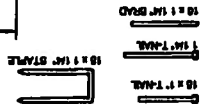
If units are being installed in an area requiring specific DP ratings, the unit must be installed in the exact manner tested, as shown in our certified installation details. These details can be found on the Florida Building Code website at [www.floridabuilding.org](http://www.floridabuilding.org) or can be obtained by contacting Sierra Pacific's Architectural Services Department at 800-433-4873 ext. 3500.

Recent building code changes require the addition of limiting devices on any operating unit installed where the finished clear opening of the unit is within 24" of the floor and is more than 72" above the finished grade or other surface below the window. Please check with your local building department to determine if this code is a requirement in your jurisdiction and order units accordingly.

**We Appreciate Your Business!**

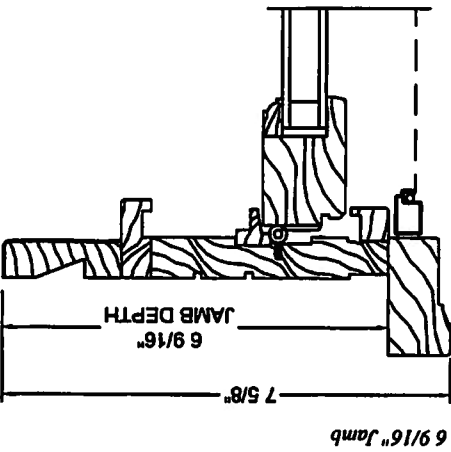
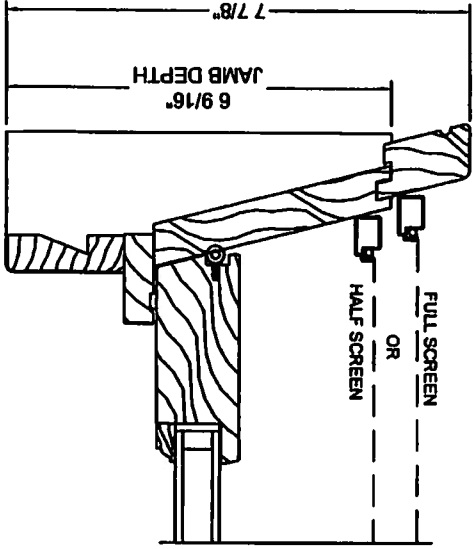


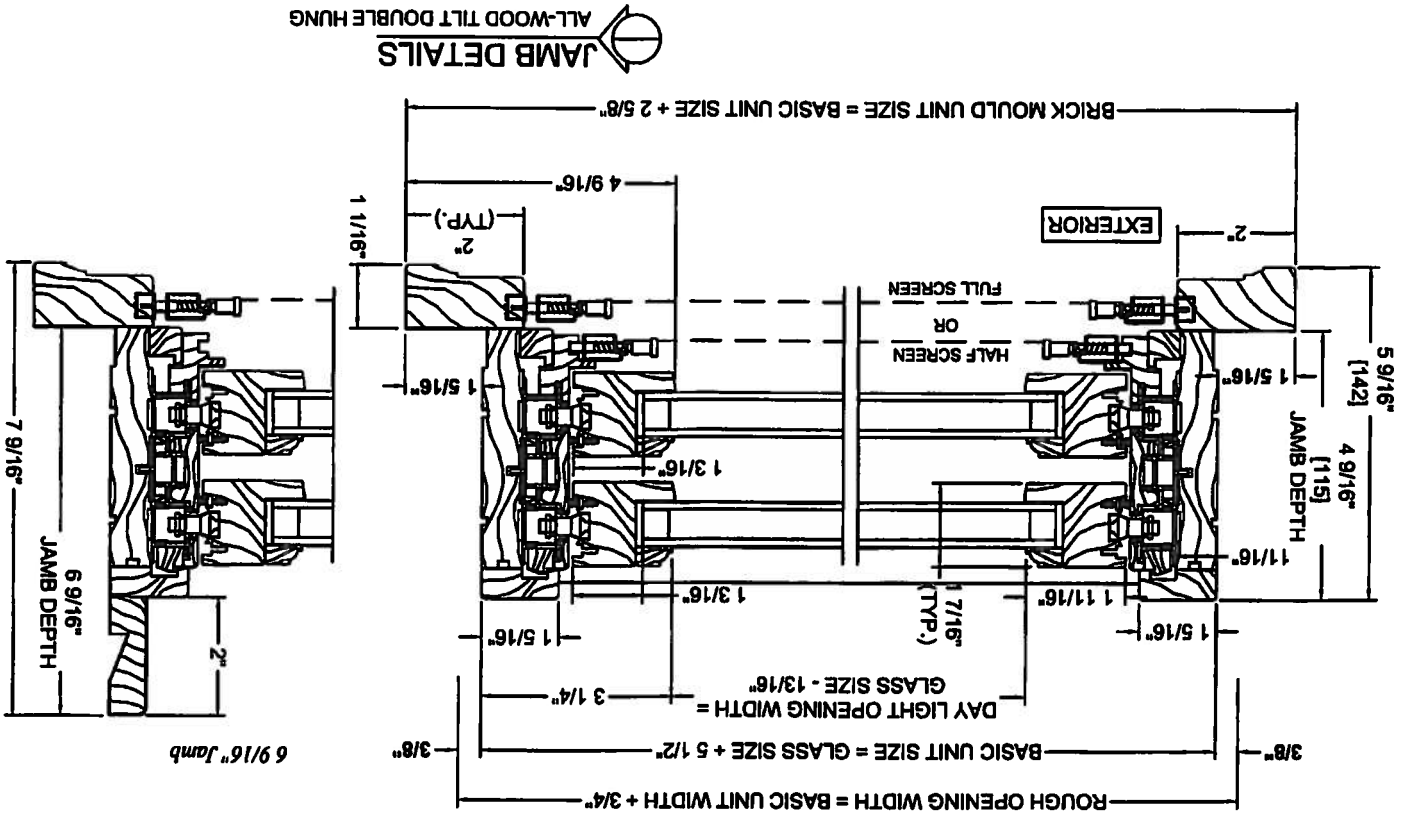
JAMB EXTENSION MAY BE APPLIED WITH STAINLESS STEEL 18 (1/4) x 1-1/4" STAPLE, BRAD NAILS, 1" or 1 1/2" T-NAILS OR SCREWS (PRE-DRILL AND COUNTERSINKING REQUIRED WHEN USING SCREWS).



**HEAD DETAILS**  
ALL-WOOD TILT DOUBLE HUNG

**SILL DETAILS**  
ALL-WOOD TILT DOUBLE HUNG



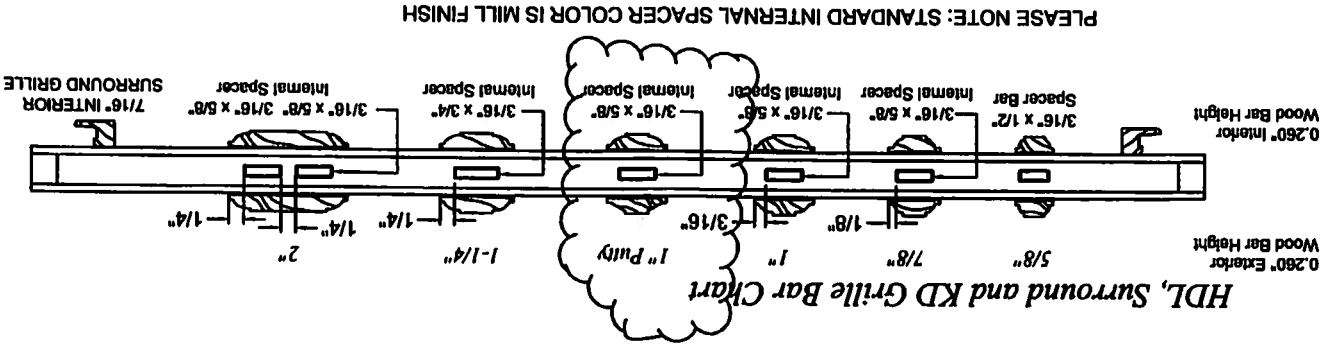
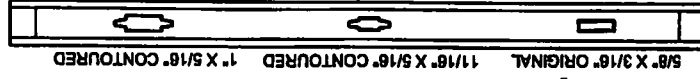


ALL-WOOD TILT DOUBLE HUNG  
**JAMB DETAILS**

**GLAZING OPTIONS**

Single & Dual Insulated Glass available in operating and fixed units.

*Grille In Airspace*



PLEASE NOTE: STANDARD INTERNAL SPACER COLOR IS MILL FINISH



# All Wood Tilt Double Hung Windows

Available in 50/50,  
60/40 & 40/60 Splits

26" Glass Unit Widths;  
1, 2 & 3 Wide Units  
Scale: 1" = 1"  
Page 3 of 3

