

# Greening Richmond Public Libraries

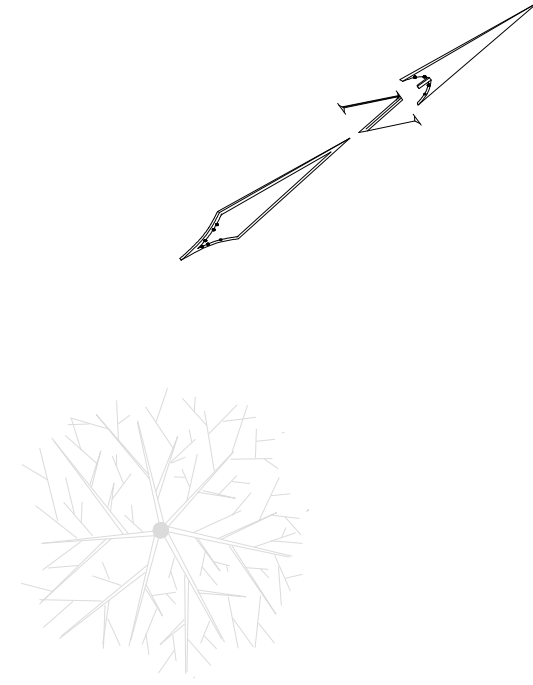
IMPROVING THE HEALTH OF THE JAMES RIVER BY REDUCING STORMWATER POLLUTION

## East End Branch Library

1200 North 25th Street, Richmond, 23223

### Legend:

- City Water Sampling Station
- ⊗ Water Meter
- ⊙ Gas Meter
- ▤ Electric Meter
- ⊠ Backflow preventer
- City Street Lights
- ◆ City Utility Pole
- ⊕ Hose Bib
- ▤ City Electrical Vault
- ⊙ Gas Vault
- ⊕ Clean out
- Underground electrical line, abandoned
- Underground electrical line
- Overhead electrical line
- Underground gas line
- Underground sewer line
- Underground water line
- Existing Trees & Shrubs To Be Preserved:



Remove asphalt, curbing, concrete and sub base to make way for bioretention basins

R Street

Public Alley

Richmond Public Libraries  
East End Branch

Remove sub base to a depth of 42.5" in double hatched area

Remove asphalt and sub base to a depth of 28.5" to make way for pervious pavers

Existing Plants

Existing Plants

Bike Rack

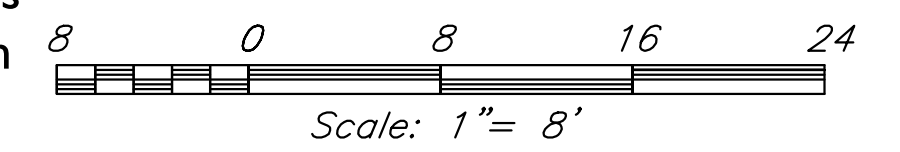
Remove tree

Remove asphalt, curbing, concrete and sub base to make way for bioretention basins

25th Street



Existing Conditions & Demolition Plan  
Not for construction





# Greening Richmond Public Libraries

IMPROVING THE HEALTH OF THE JAMES RIVER BY REDUCING STORMWATER POLLUTION

## East End Branch Library

1200 North 25th Street, Richmond, 23223

### Legend:

- City Water Sampling Station
- ⊗ Water Meter
- ⊙ Gas Meter
- ▤ Electric Meter
- ⊠ Backflow preventer
- City Street Lights
- ◆ City Utility Pole
- ⊕ Hose Bib
- ⊞ City Electrical Vault
- ⊚ Gas Vault
- ⊙ Clean out
- Bollard, 8
- ⊙ Proposed Trash Can, 3
- ▭ Interpretive Sign
- ▭ Proposed Bioretention Basins
- ▭ Velocity reducer & trash/salt trap, see detail
- Bee Zone Markers, 10
- ▭ Roll down curbs for ingress/ egress of stormwater
- ⊕ Bioretention basin inspection port, connect to underdrain, see notes
- ⊗ No Parking sign, 7

Existing Trees & Shrubs To Be Preserved:

### NOTES

THE EXISTENCE AND LOCATION OF UNDERGROUND UTILITIES IS SHOWN ON THIS PLAN, CONTRACTOR TO CONTACT MISS UTILITY AND LOCATE GAS LINE CLOSEST TO PROPOSED IMPROVEMENTS ON R STREET.

CONTRACTOR TO ASSUME ALL RESPONSIBILITY FOR CONSTRUCTION METHODS EMPLOYED AND FIELD VERIFY ALL DIMENSIONS. ISSUES AND CONCERNS SHALL BE REPORTED TO FOUR WINDS.

CONTRACTOR TO ENSURE POSITIVE DRAINAGE AWAY FROM ALL BUILDINGS AT ALL TIMES DURING THE DEMOLITION AND BUILDING PROCESS.

NO PUBLIC THOROUGHFARES INCLUDING SIDEWALKS SHALL BE BLOCKED DURING DEMOLITION OR CONSTRUCTION WITHOUT PROPERLY DISPLAYED MUNICIPALITY PERMITS. NO HOLES SHALL BE LEFT OPEN OVERNIGHT WITHOUT SECURING PERIMETER FENCING OR INSTALLING CAUTION TAPE AROUND THE HOLE.

CONTRACTOR TO OBTAIN ALL BUILDING PERMITS, SOIL STUDIES, AND STRUCTURAL DETAILS AS REQUIRED BY THE MUNICIPALITY.

CONTRACTOR AND MASON AND SUBCONTRACTORS IF APPLICABLE TO ATTEND A PRECONSTRUCTION MEETING WITH JRA REPRESENTATIVES AND FOUR WINDS DESIGN.

CONTRACTOR TO DOCUMENT DEPTH OF EXCAVATION IN PROPOSED BIORETENTION AND PERVIOUS PAVER AREAS WITH PICTURES THAT SHOW MEASURING TAPE DIMENSIONS IN HOLES. THESE PICTURES SHALL BE EMAILED TO FOUR WINDS AS THEY ARE TAKEN. MINIMUM ONE PICTURE PER HOLE OR VARIED DEPTH APPLICATIONS.

THIS DRAWING SHALL BE PRINTED IN COLOR AND PRINTS TO SCALE ON 24"x36" PAPER. USING SMALLER PRINT SIZES IN THE FIELD IS NOT PERMISSIBLE. A COPY OF THE CITY APPROVED DRAWINGS AND STORMWATER PERMIT SHALL BE KEPT ON SITE AT ALL TIMES.

THE PERVIOUS PAVERS WILL BE INSTALLED IN A SEPARATE PHASE TO OCCUR IN WINTER 2023.

THE NO PARKING SIGNS ON 25TH STREET SHALL BE 1" STEEL PIPE OR SIMILAR, SET 24" BELOW GRADE IN 160 LBS OF CONCRETE (THESE ARE BEING USED AS BOLLARDS).

THE TRASH CANS SHALL BE TF 1040 BY BELSON OUTDOORS WITH OPTIONAL ASH URN ATTACHMENT (PART TF2090). STANDARD COLOR/ FINISH SELECTED AT AWARD OF PROJECT CONTRACT.



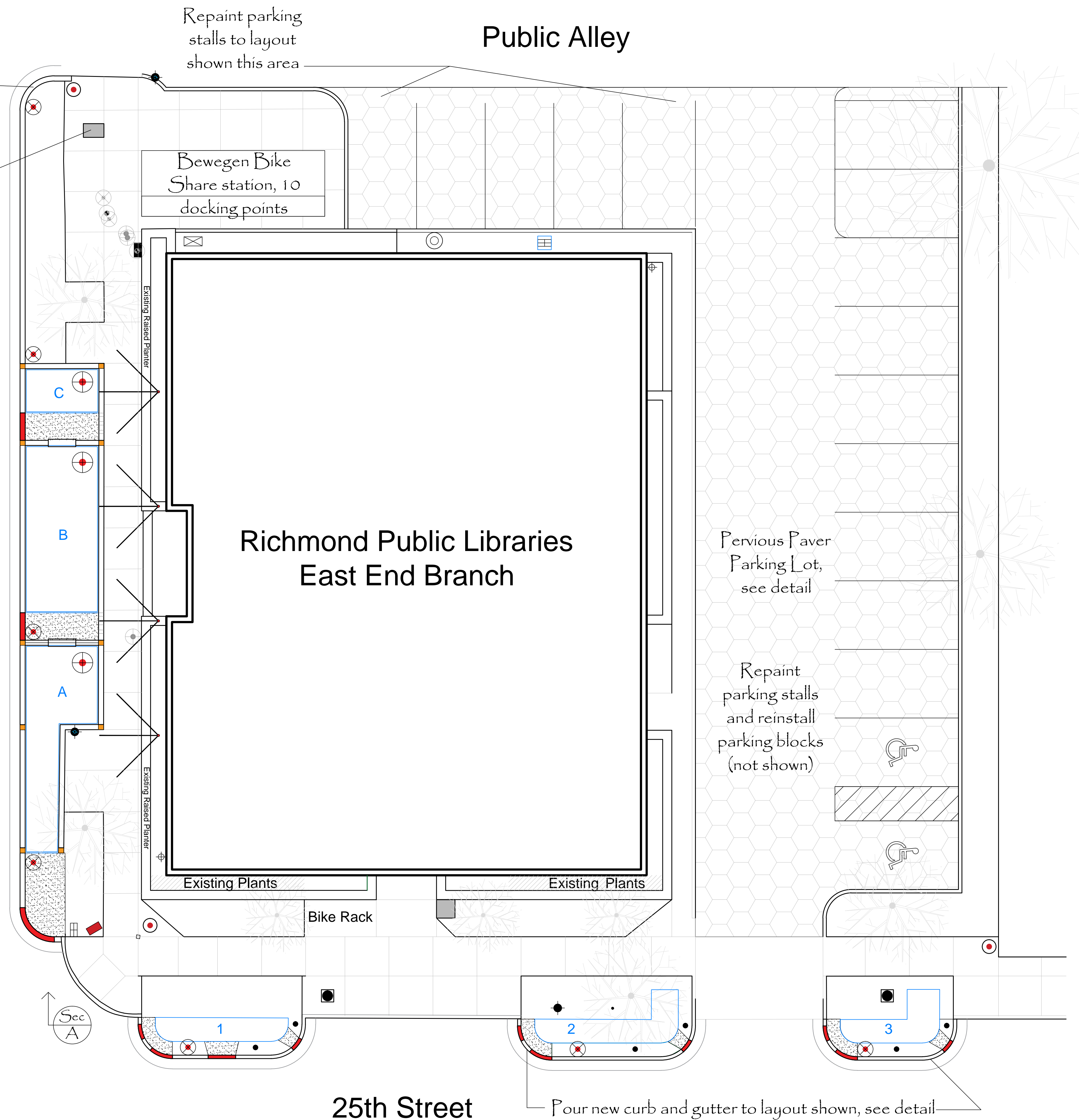
Velocity reducer & trash/salt trap stone type



PowerBloc pervious pavers

Pour new curb and gutter to layout shown, see detail  
Bike Share power housing and wayfinding station

R Street



25th Street

Public Alley

Pour new curb and gutter to layout shown, see detail

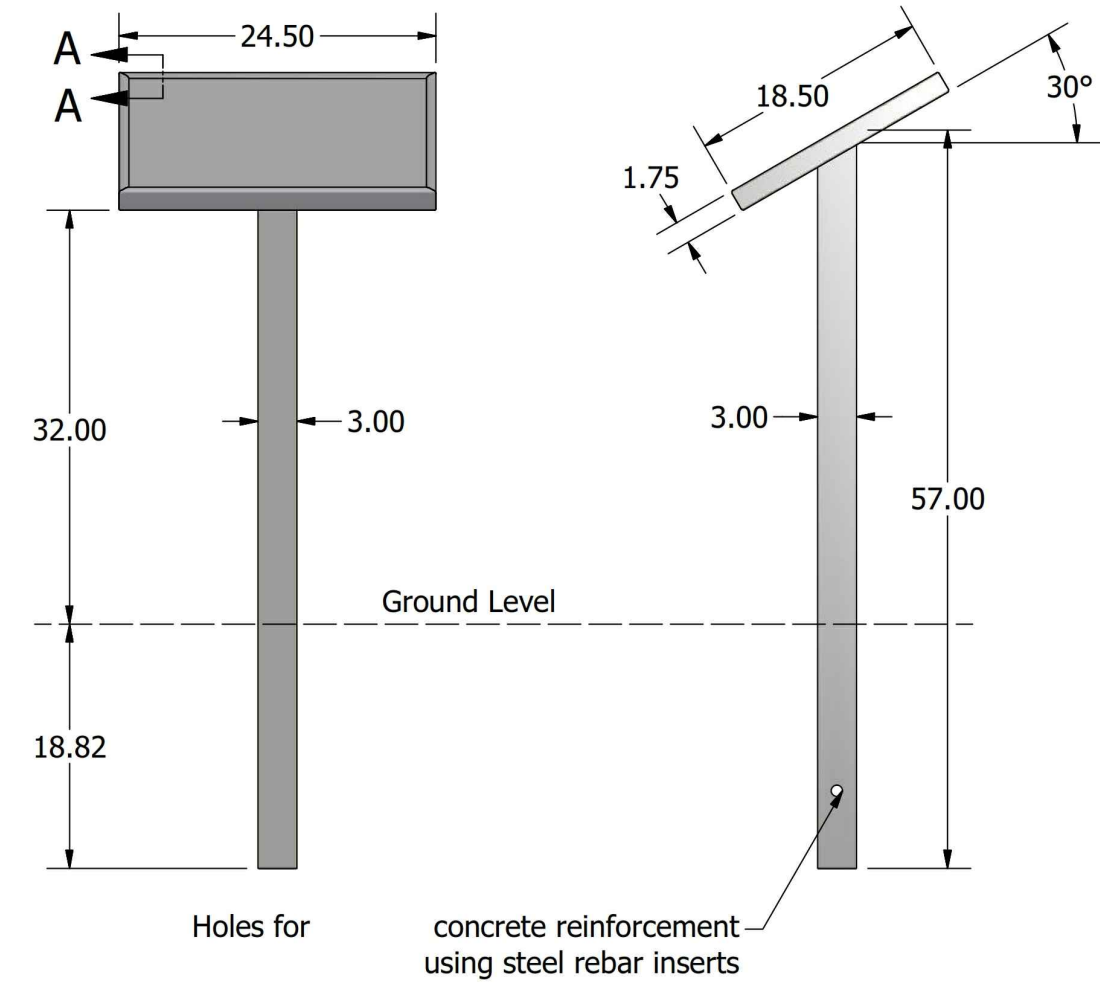


# Greening Richmond Public Libraries

IMPROVING THE HEALTH OF THE JAMES RIVER BY REDUCING STORMWATER POLLUTION

## East End Branch Library

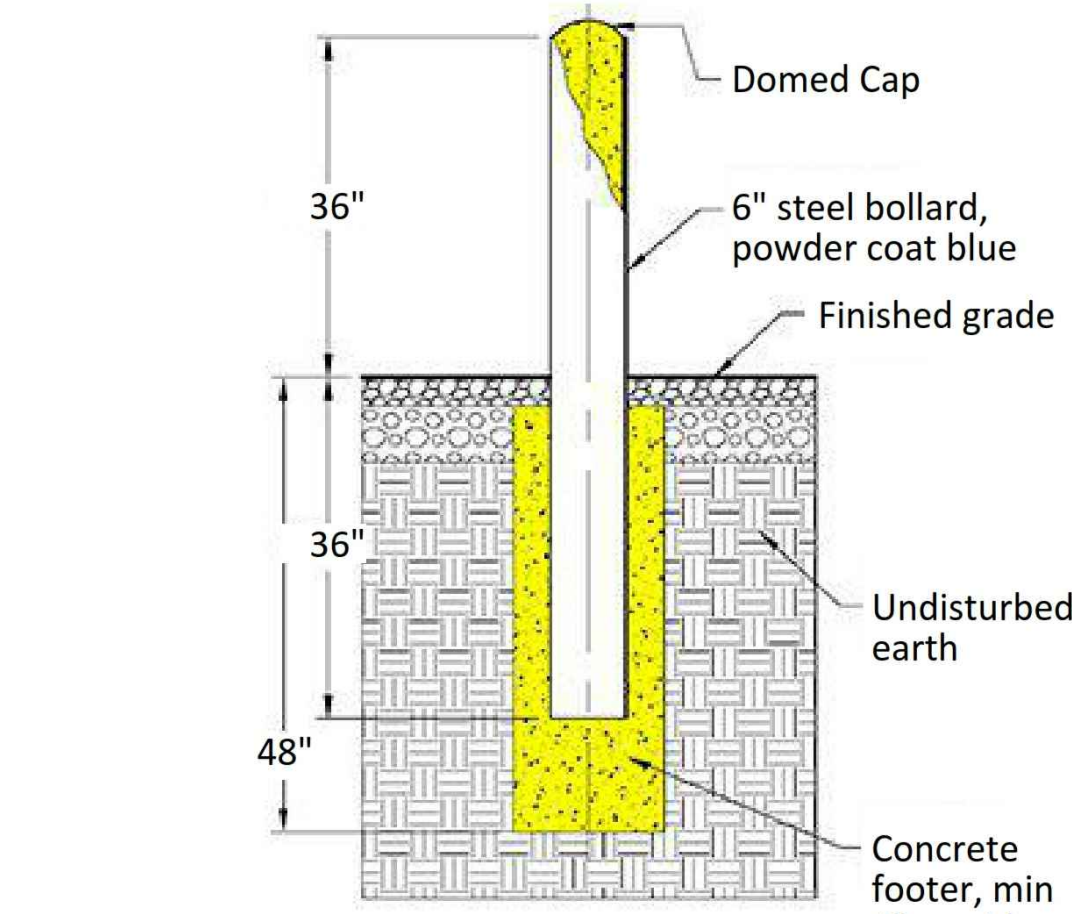
1200 North 25th Street, Richmond, 23223



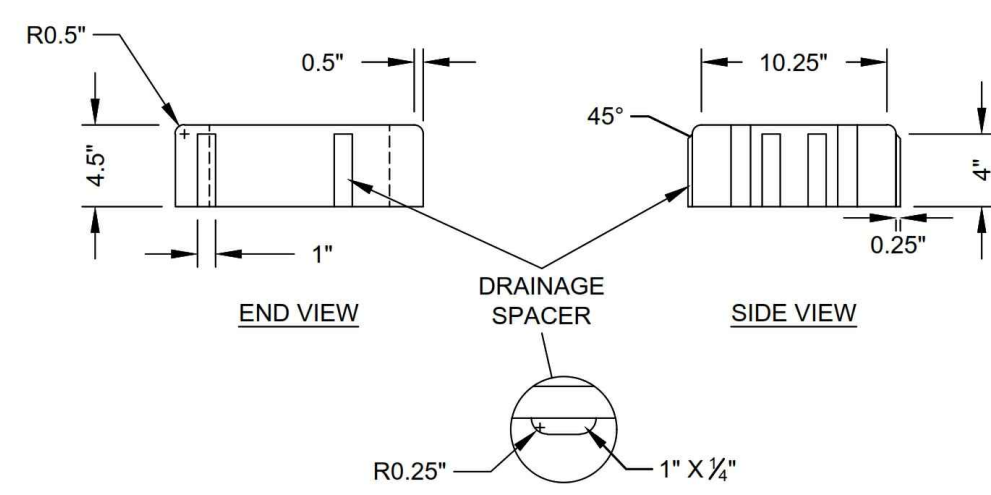
HARDWARE INCLUDED		
Type	QTY	Image
1/4"-20 x 3/8" Stainless Steel Hex Drive Button Head Screws	4 each	
5/32" Hex Key	1 each	
1/4" Aluminum Drive Rivets	2 each	

**Single Pedestal Exhibit Base**  
James River Association

Frame Size: 24.5" w x 18.5" h  
Trim Size: 23.875" w x 17.875" h  
Visual Area: 23" w x 17" h  
Frame Color: der Coated Textured  
Finish: der Coated Textured



**BOLLARD**  
NO SCALE

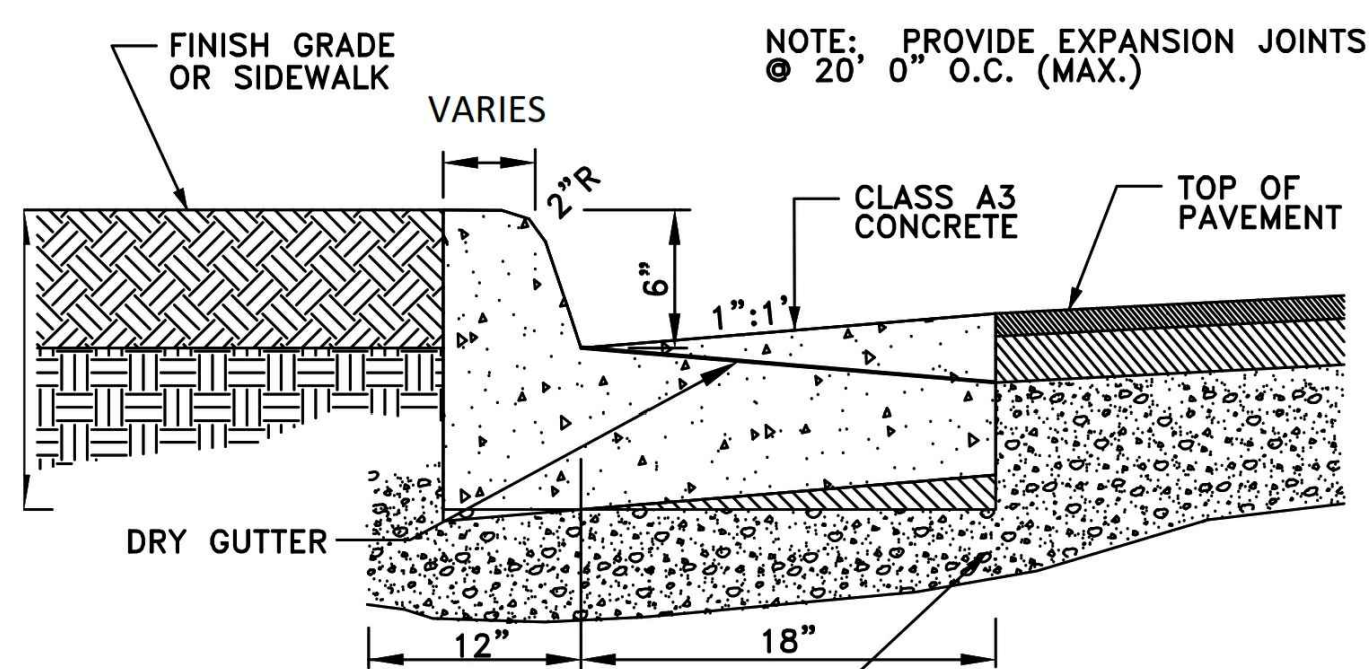
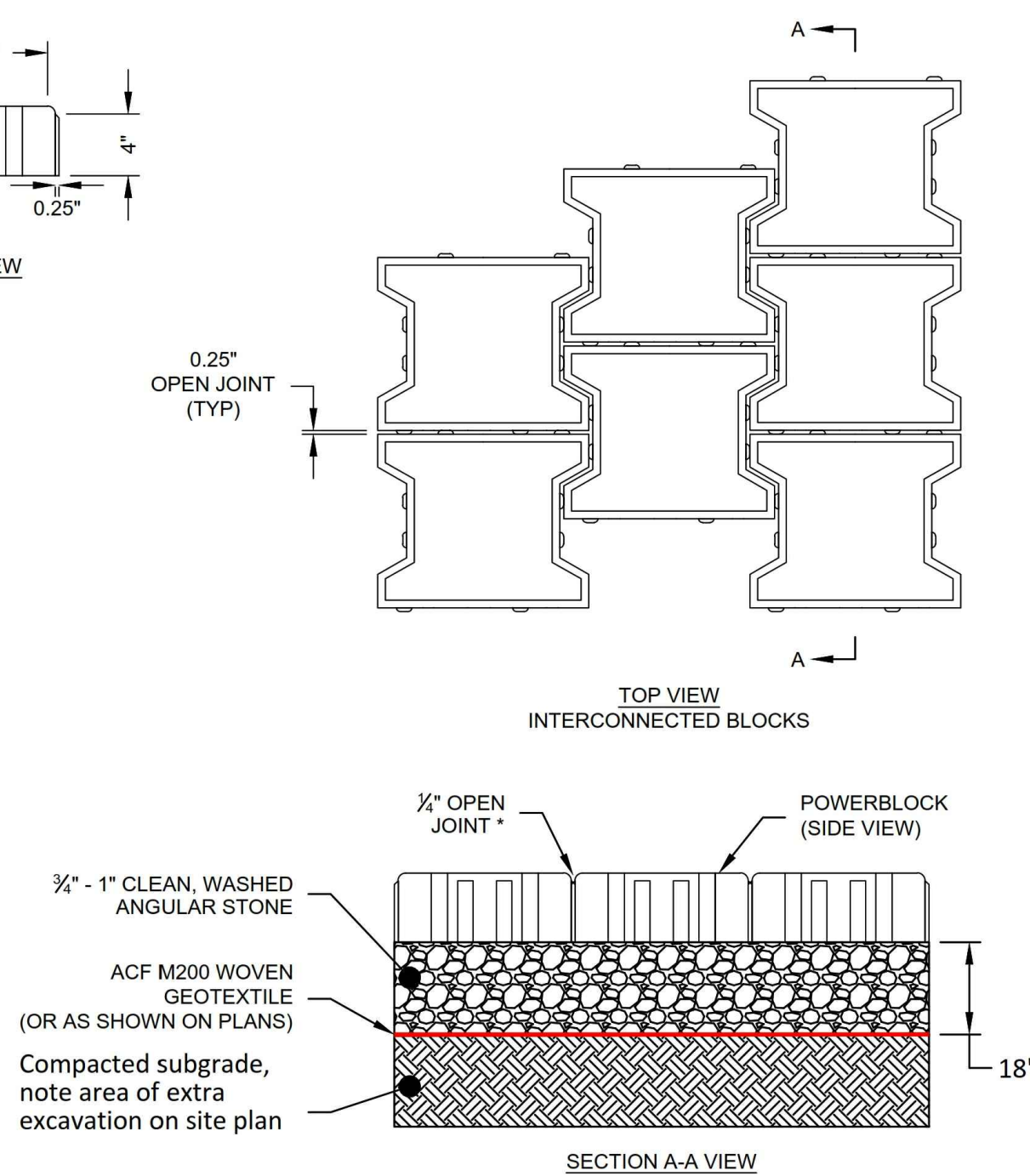


\* 1/2" OPEN JOINTS SHALL BE UNFILLED AND FREE OF STONE/SAND BACKFILL.

Available at ACF Environmental

## POWERBLOCK PERVIOUS PAVERS

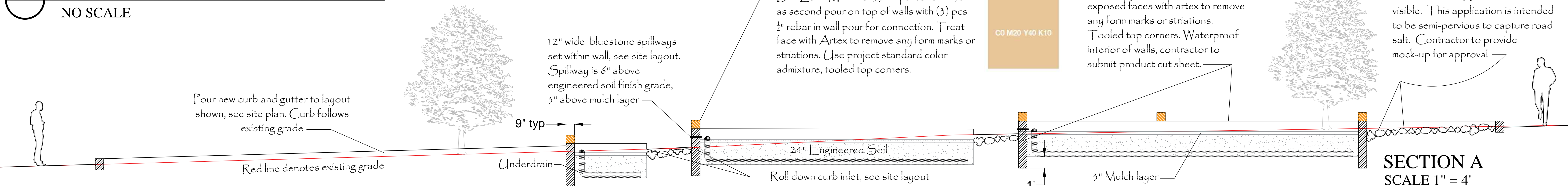
NO SCALE



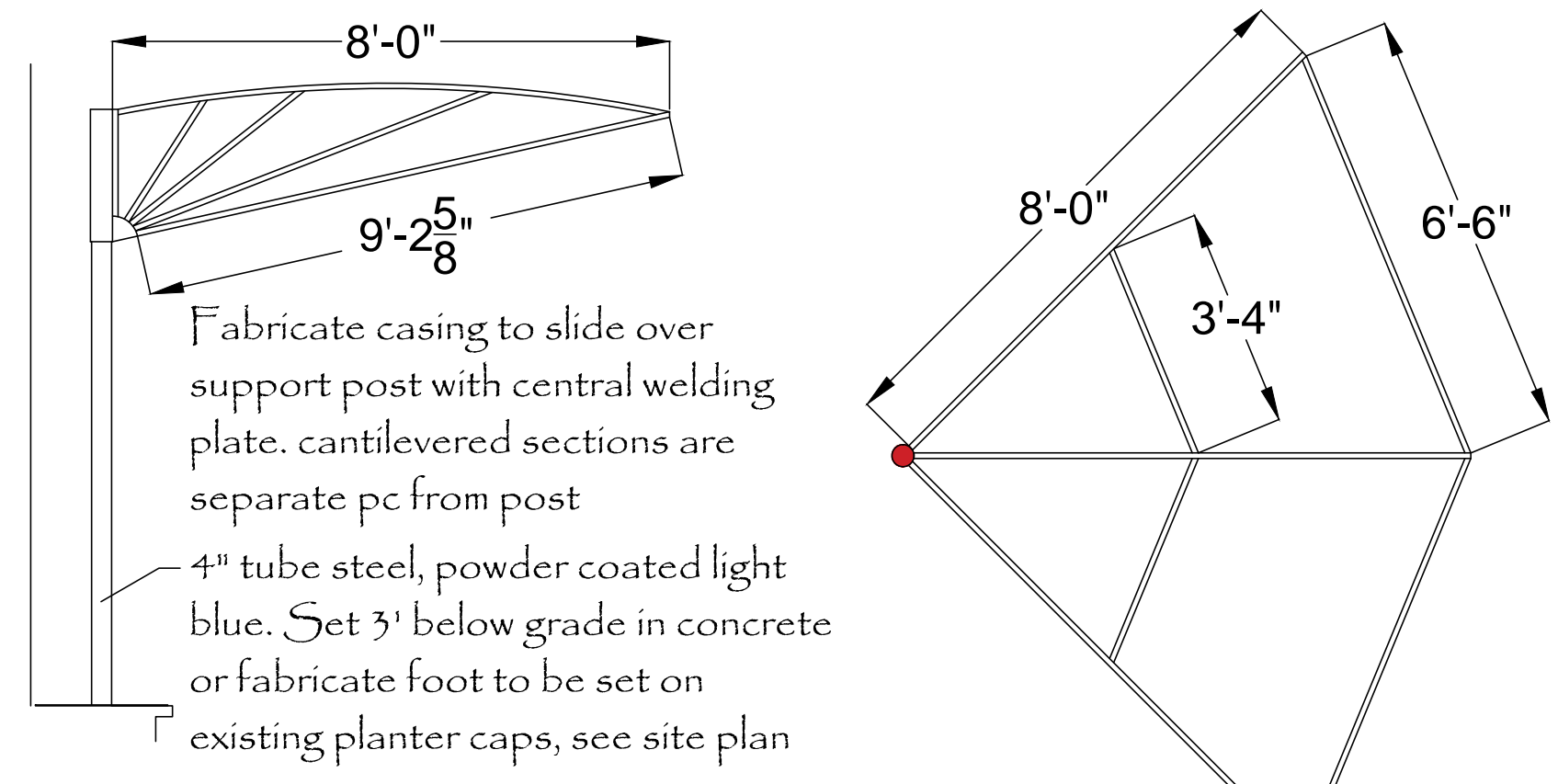
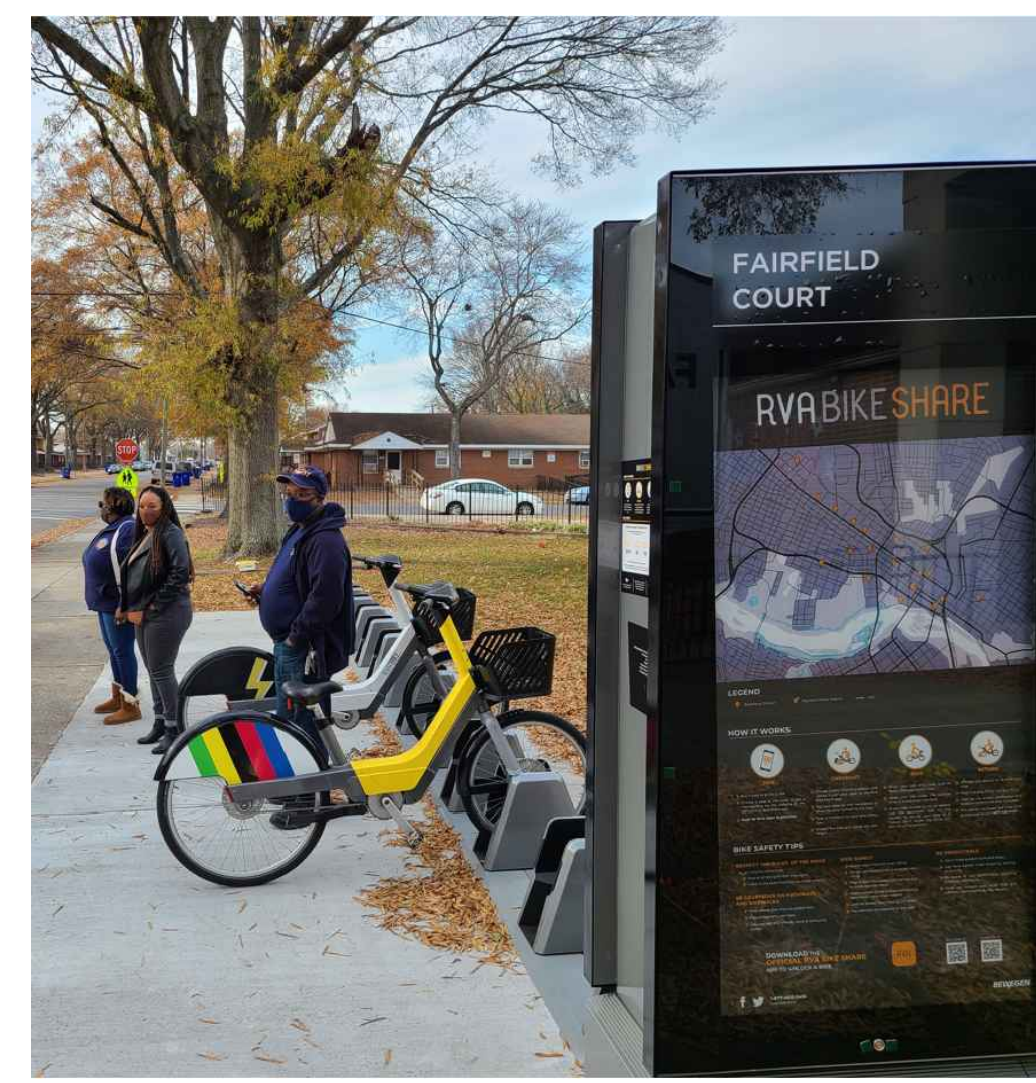
THE BOTTOM OF THE CURB & GUTTER MAY BE CONSTRUCTED PARALLEL TO THE SLOPE OF THE SUBSURFACE COURSES PROVIDED A MINIMUM DEPTH OF 7" IS MAINTAINED

## CURB AND GUTTER DETAIL

NO SCALE



**SECTION A**  
SCALE 1" = 4'



## TRELLIS

NO SCALE



# Greening Richmond Public Libraries

IMPROVING THE HEALTH OF THE JAMES RIVER BY REDUCING STORMWATER POLLUTION

## East End Branch Library

1200 North 25th Street, Richmond, 23223

### Legend:

- City Water Sampling Station
- ⊗ Water Meter
- ⊙ Gas Meter
- ⊞ Electric Meter
- ⊠ Backflow preventer
- City Street Lights
- ◆ City Utility Pole
- ⊕ Hose Bib
- ⊞ City Electrical Vault
- ⊙ Gas Vault
- ⊕ Clean out
- Bollard, 8
- ⊙ Proposed Trash Can, 3
- ◆ Interpretive Sign
- ▭ Proposed Bioretention Basins
- ▨ Velocity reducer & trash /salt trap, see detail
- Bee Zone Markers, 10
- ⊕ Bioretention basin inspection port, connect to underdrain, see notes
- Freestanding Trellis

Existing Trees & Shrubs To Be Preserved:

#### NOTES

THE EXISTENCE AND LOCATION OF UNDERGROUND UTILITIES IS SHOWN ON THIS PLAN, CONTRACTOR TO CONTACT MISS UTILITY AND LOCATE GAS LINE CLOSEST TO PROPOSED IMPROVEMENTS ON R STREET.

CONTRACTOR TO ASSUME ALL RESPONSIBILITY FOR CONSTRUCTION METHODS EMPLOYED AND FIELD VERIFY ALL DIMENSIONS. ISSUES AND CONCERNS SHALL BE REPORTED TO FOUR WINDS.

CONTRACTOR TO ENSURE POSITIVE DRAINAGE AWAY FROM ALL BUILDINGS AT ALL TIMES DURING THE DEMOLITION AND BUILDING PROCESS.

NO PUBLIC THOROUGHFARES INCLUDING SIDEWALKS SHALL BE BLOCKED DURING DEMOLITION OR CONSTRUCTION WITHOUT PROPERLY DISPLAYED MUNICIPALITY PERMITS. NO HOLES SHALL BE LEFT OPEN OVERNIGHT WITHOUT SECURING PERIMETER FENCING OR INSTALLING CAUTION TAPE AROUND THE HOLE.

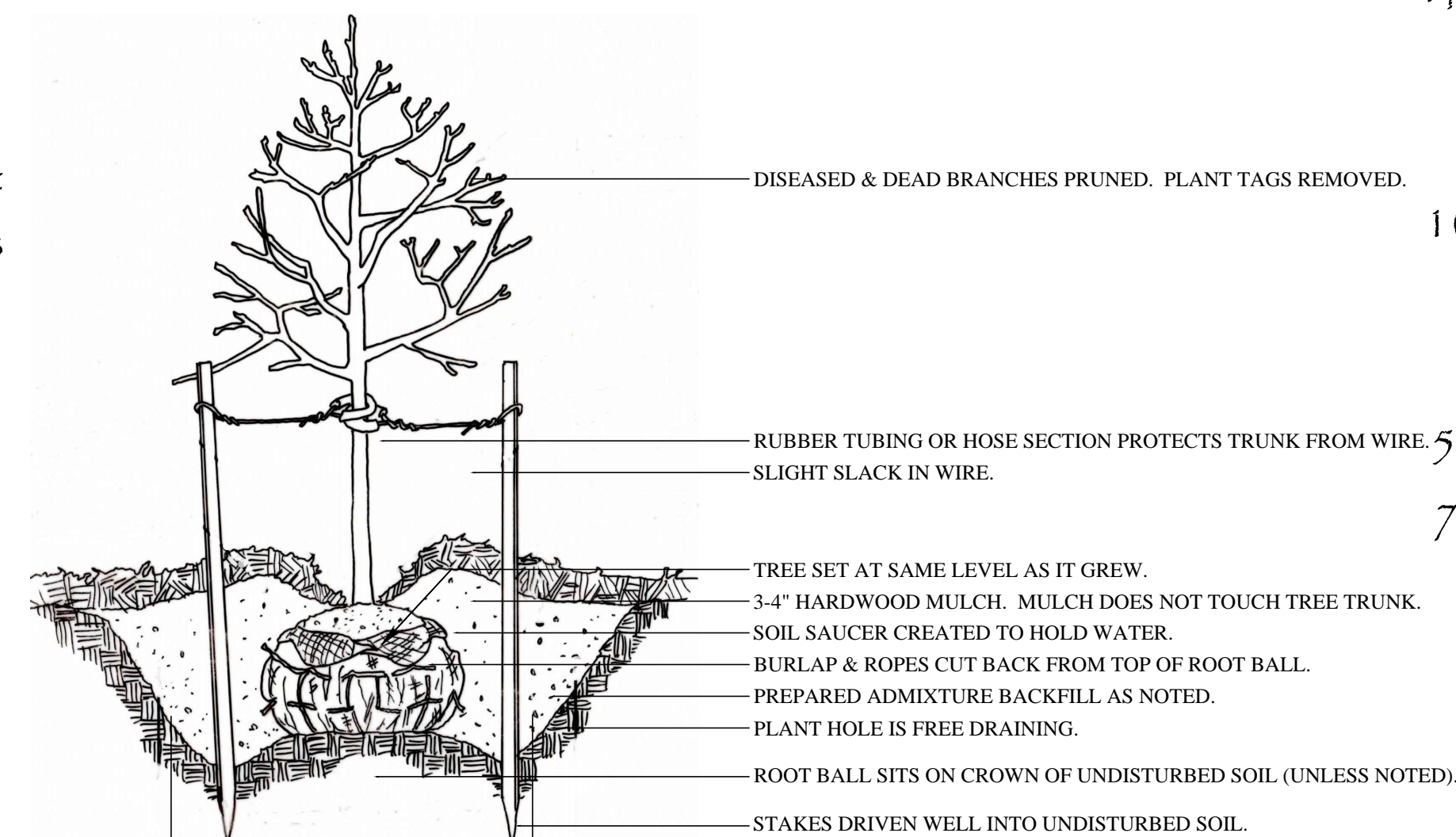
CONTRACTOR TO OBTAIN ALL BUILDING PERMITS, SOIL STUDIES, AND STRUCTURAL DETAILS AS REQUIRED BY THE MUNICIPALITY.

CONTRACTOR AND MASON AND SUBCONTRACTORS IF APPLICABLE TO ATTEND A PRECONSTRUCTION MEETING WITH JRA REPRESENTATIVES AND FOUR WINDS DESIGN.

CONTRACTOR TO DOCUMENT DEPTH OF EXCAVATION IN PROPOSED BIORETENTION AND PERVIOUS PAVER AREAS WITH PICTURES THAT SHOW MEASURING TAPE DIMENSIONS IN HOLES. THESE PICTURES SHALL BE EMAILED TO FOUR WINDS AS THEY ARE TAKEN. MINIMUM ONE PICTURE PER HOLE OR VARIED DEPTH APPLICATIONS.

THIS DRAWING SHALL BE PRINTED IN COLOR AND PRINTS TO SCALE ON 24"X36" PAPER. USING SMALLER PRINT SIZES IN THE FIELD IS NOT PERMISSIBLE. A COPY OF THE CITY APPROVED DRAWINGS AND STORMWATER PERMIT SHALL BE KEPT ON SITE AT ALL TIMES.

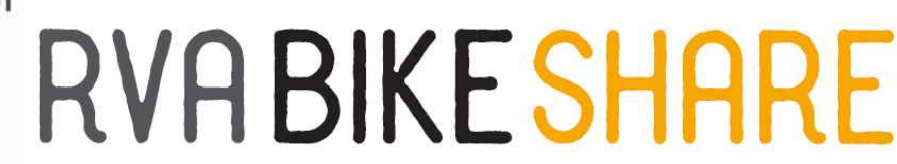
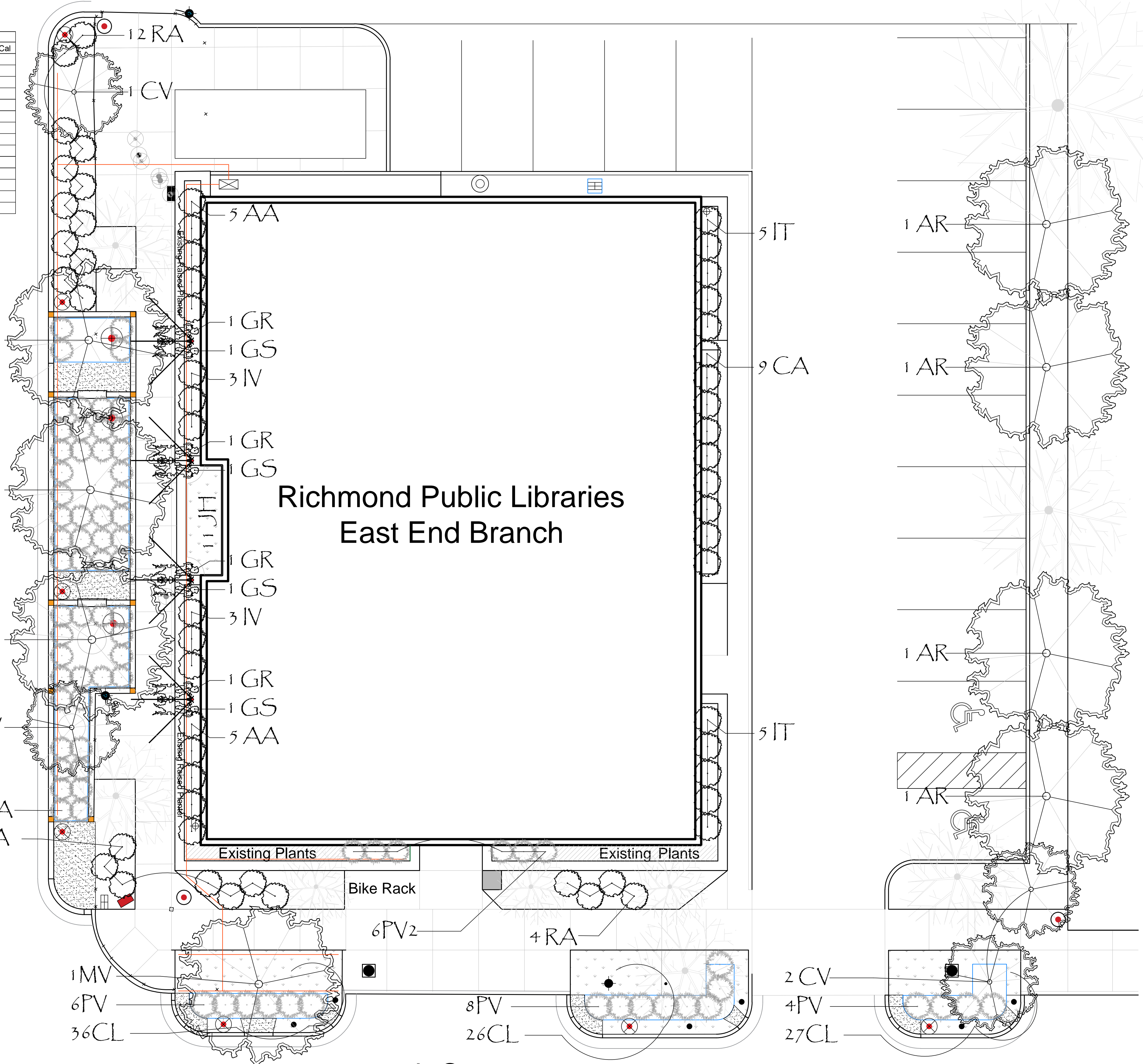
Code	Botanical Name	Common Name	Quantity	Size
AR	Acer rubrum	Red Maple	4	1.75-2" Cal
AA	Aronia arbutifolia 'Low Scape'	Red Chokeberry	10	3 Gal
CL	Chasmanthium latifolium	Sea Oats	89	1 Gal
CV	Chionanthus virginicus	White Fringetree	4	7-8'
CA	Clethra alnifolia 'Hummingbird'	Dwarf Clethra	9	3 Gal
GR	Gelsemium rankinii	Fall Carolina Jasmine	4	3 Gal
GS	Gelsemium sempervirens	Carolina Jasmine	4	3 Gal
IV	Ilex vomitoria 'Bordeaux'	Dwarf Yaupon Holly	6	3 Gal
IT	Itea virginica 'Merlot'	Sweetspire	10	3 Gal
JH	Juniperus horizontalis 'Bar Harbor'	Creeping Juniper	11	3 Gal
MV	Magnolia virginiana	Sweetbay Magnolia	4	7-8'
PA	Panicum amarum 'Dewey Blue'	Atlantic Coastal Panic Grass	54	3 Gal
PV	Panicum virgatum 'Heavy Metal'	Switch Grass	18	3 Gal
PV2	Panicum virgatum 'Shenandoah'	Switch Grass	6	3 Gal
RA	Rhus aromatica 'Low Grow'	Fragrant Sumac	23	3 Gal



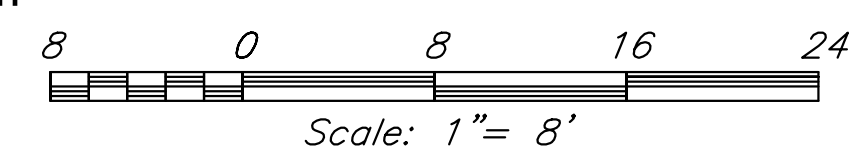
Tree Planting  
Scale: none

R Street

Public Alley



Planting & Irrigation  
Plan  
Not for  
construction



Date: 7-28-22  
Sheet: 4 of 4