

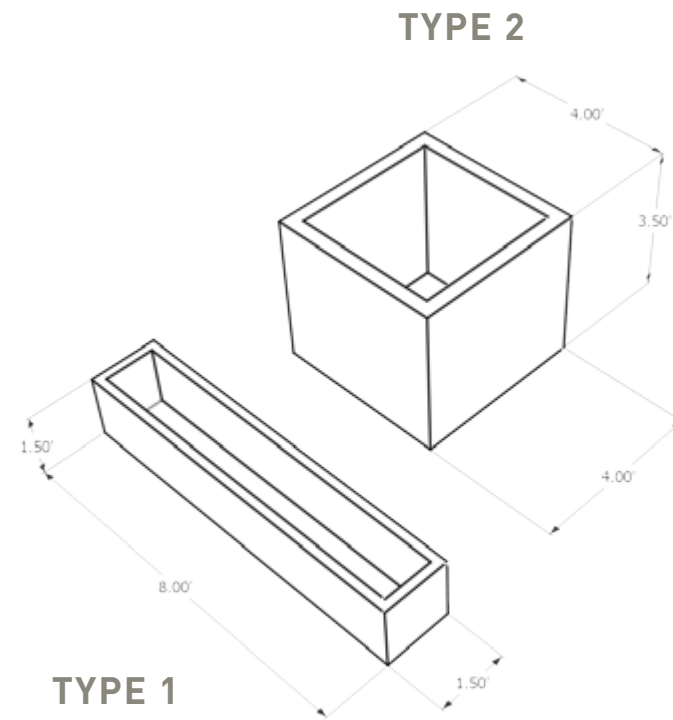
**PLANTERS LAYOUT PLAN**  
Scale: 1/16"=1'



COLOR: LATTE



COLOR: LATTE



**NOTES**

PLANTERS FACING EXISTING BUILDING, TO BE CENTERED IN BETWEEN COLUMNS OF THE FACADE.

**PLANTERS**

PLANTERS UNLIMITED\* CUSTOM MADE FIBERGLASS

TYPE 1- 16 - RECTANGULAR (96" L X 16" W X 16" H)

TYPE 2 - 12 - SQUARE (48" L X 48" W X 42" H)

COLOR: (ALL SAME) LATTE MATTE FINISH



SQUARE  
PLANTERS



**EASTERN REDBUD**  
(*Cercis canadensis*)



**AUTUMN BRILLIANCE SERVICEBERRY**  
(*Amelanchier × grandiflora*)



SQUARE  
PLANTER BED



**CATMINT**  
(*Nepeta racemosa*)



**LIRIOPE**  
(*Liriope muscari*)



**EXISTING /APPROVED BENCH STYLE**

MODEL: RB-28  
MANUFACTURER: VICTOR STANLEY



**PROPOSED BENCH STYLE**

MODEL: PRS-10  
MANUFACTURER: VICTOR STANLEY

WINDOW  
PLANTERS



**MUHLY GRASS**  
(*Muhlenbergia capillaris*)



**FOUNTAIN GRASS**  
(*Pennisetum alopecuroides*)