

Powhatan Park

1006 Williamsburg Road

Powhatan Park



Site Name: SC Powhatan Hill
Small Network Node
1006 Williamsburg Road
Richmond, VA 23231

Photograph Information:
Apperson Street
View from the North
Showing the Existing Site

NB+CTM
TOTALLY COMMITTED.

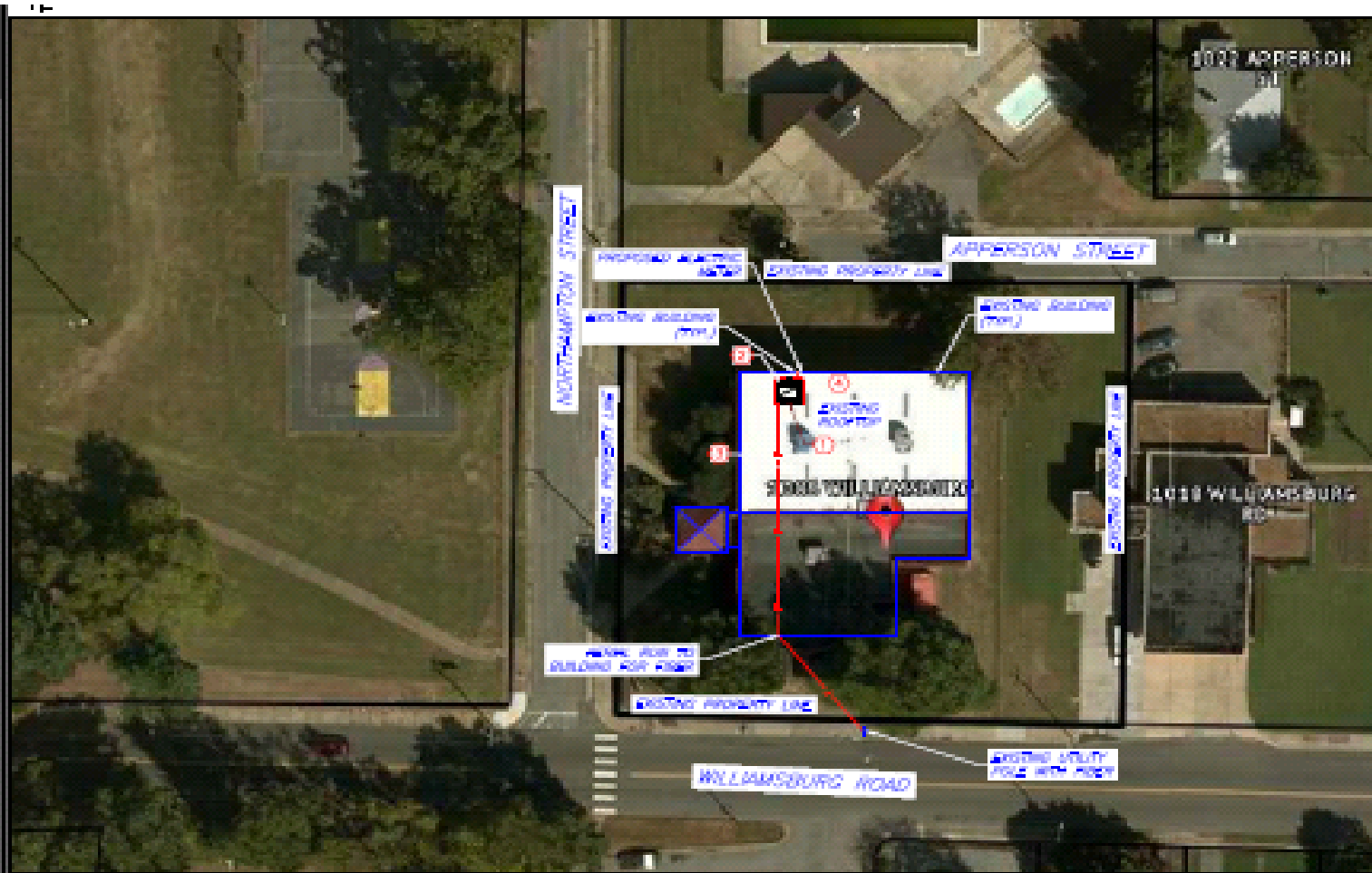
Powhatan Park



Site Name: SC Powhatan Hill
Small Network Node
1006 Williamsburg Road
Richmond, VA 23231

Photograph Information:
Apperson Street
View from the North
Showing the Proposed Site

NB+CTM
TOTALLY COMMITTED.



SITE PLAN

Powhatan Park

NOTE:
 ALL DIMENSIONS, EQUIPMENT & EXHIBITS
 SUBJECT TO CHANGE

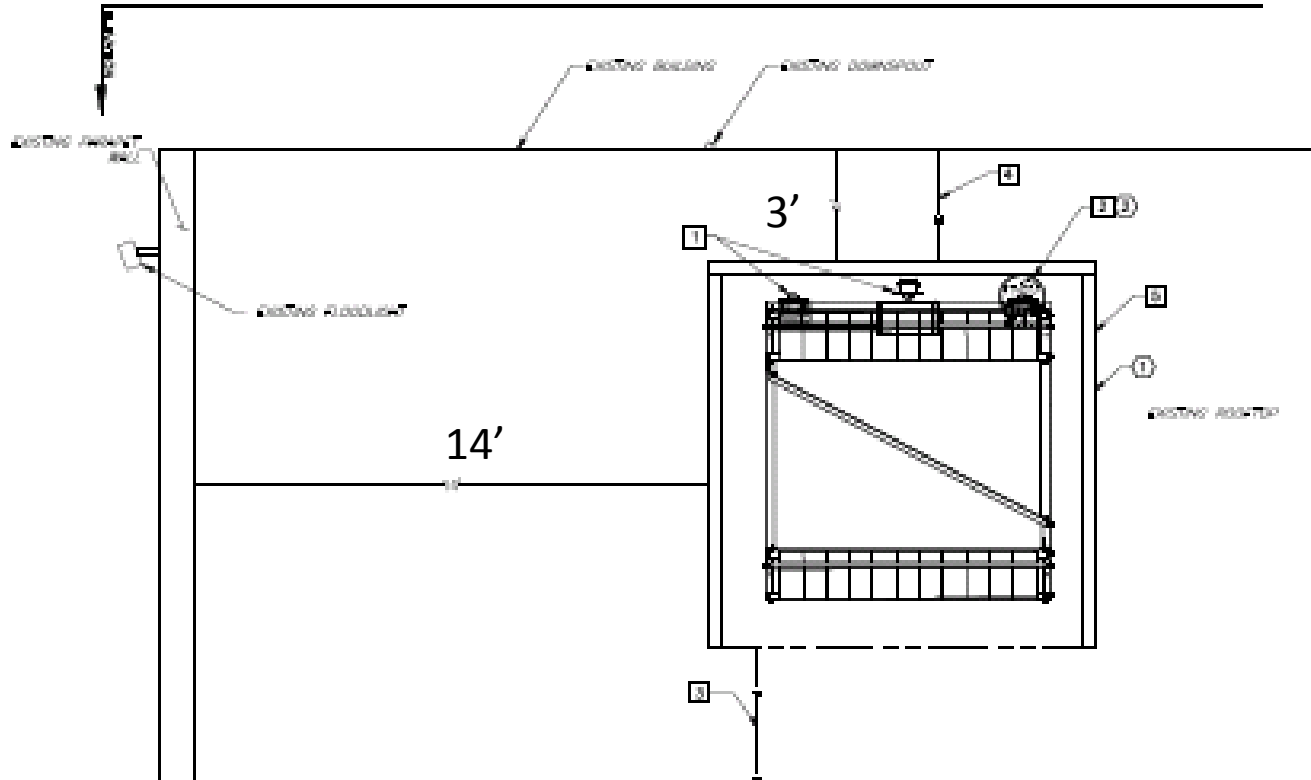
CONDUIT

APPROXIMATE TELCO RUN LENGTH = 83'
 APPROXIMATE ELECTRICAL RUN LENGTH = 4'

LEASE NOTES

- ① NEW TRUNK 10.5' x 10.5' LEASE AREA FOR EQUIPMENT AND TROUGH RAIL
- ② NEW TRUNK ANTENNA OR NON-IDENTIFYING SIGN MOUNT WITH STEEL SCREEN
- ③ NEW TRUNK AREA FOR TELCO CONDUIT RUN
- ④ NEW TRUNK AREA FOR ELECTRICAL CONDUIT RUN

Powhatan Park



NOTE:
ANTENNA, EQUIPMENT & DIMENSIONS
SUBJECT TO CHANGE

COMPOUND PLAN

CONSTRUCTION NOTES

- 1 NEW TENANT DOWNPOUT
- 2 NEW TENANT ANTENNA TO BE MOUNTED ON NON-PENETRATING SLED MOUNT WITH STRENGTH WALL (TYP. OF 2)
- 3 NEW TENANT FLOOR CONDUIT
- 4 NEW TENANT POWER CONDUIT
- 5 NEW TENANT STEEL SCREENING WALL TO MATCH BUILDING

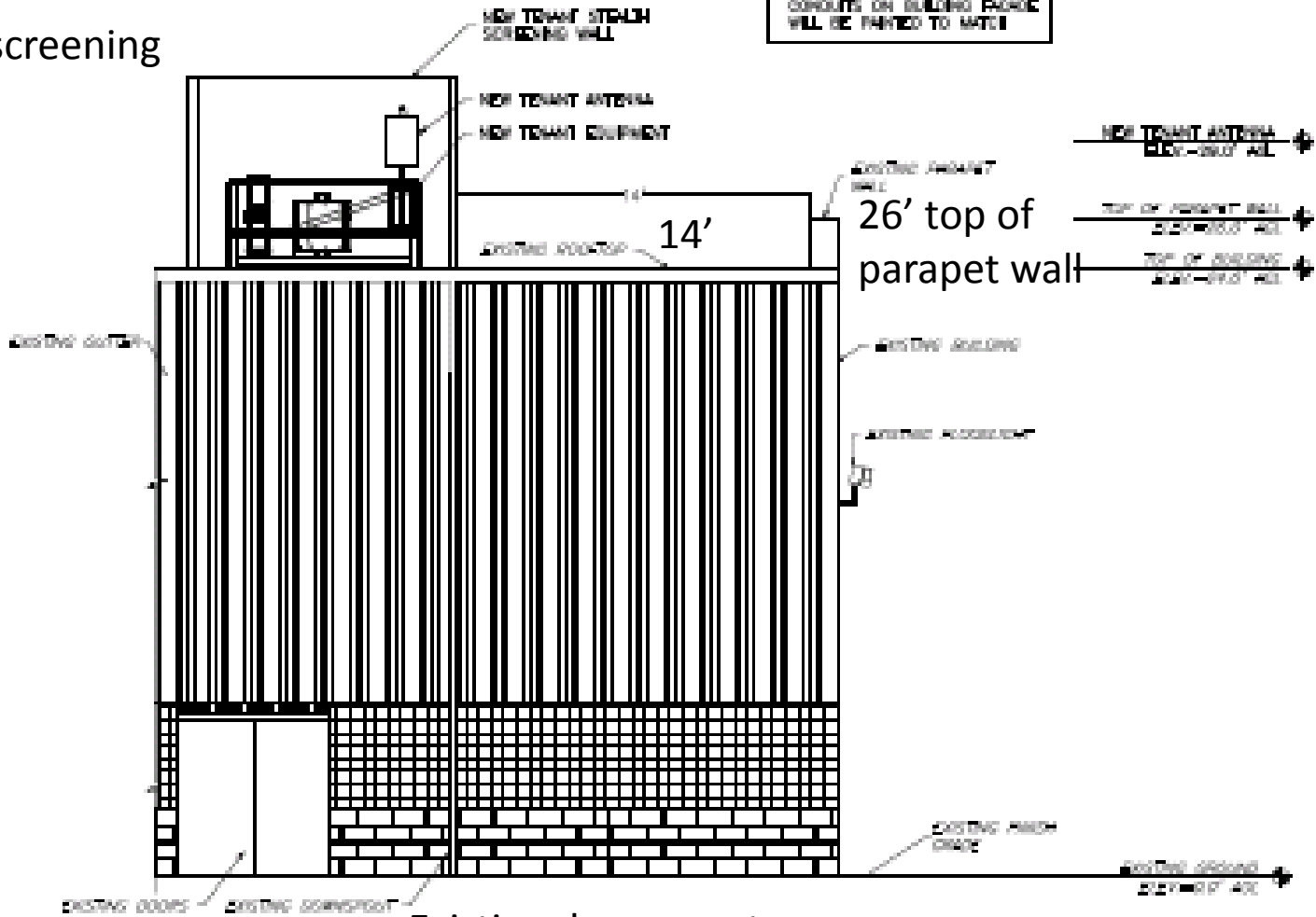
LEASE NOTES

- 1 NEW TENANT 10.0' X 10.0' LEASE AREA FOR EQUIPMENT
- 2 NEW TENANT ANTENNA

Powhatan Park

NOTE:
CONCRETE ON BUILDING FACADE
WILL BE PAINTED TO MATCH

Stealth screening
wall



NEW TENANT ANTENNA 29'-00" AGL → 29' antenna

TOP OF PARAPET WALL 26'-00" AGL →

TOP OF EXISTING 26'-00" AGL →

14'

26' top of
parapet wall

EXISTING DOORS

EXISTING BALCONY

EXISTING ACCESSORY

EXISTING FINISH
GRADE

EXISTING GROUND
26'-00" AGL

EXISTING DOORS

EXISTING DOWNSPOUT

Existing downspout

Existing doors