



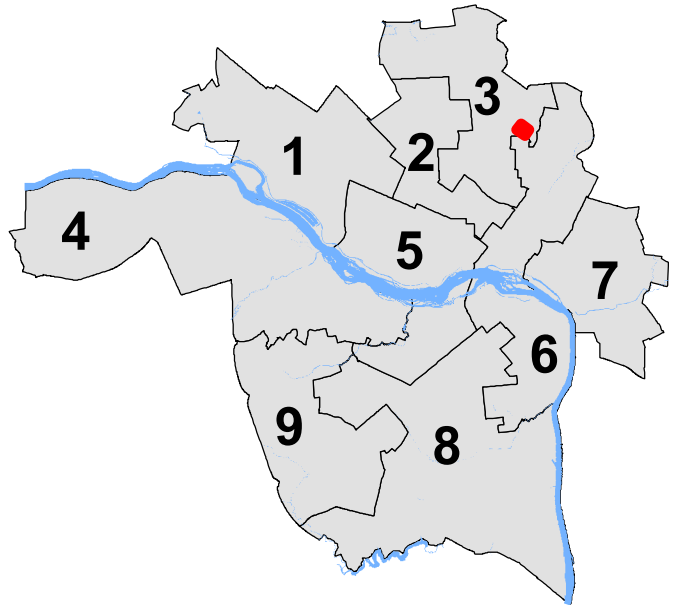
City of Richmond Department of Planning & Development Review

Location, Character, and Extent

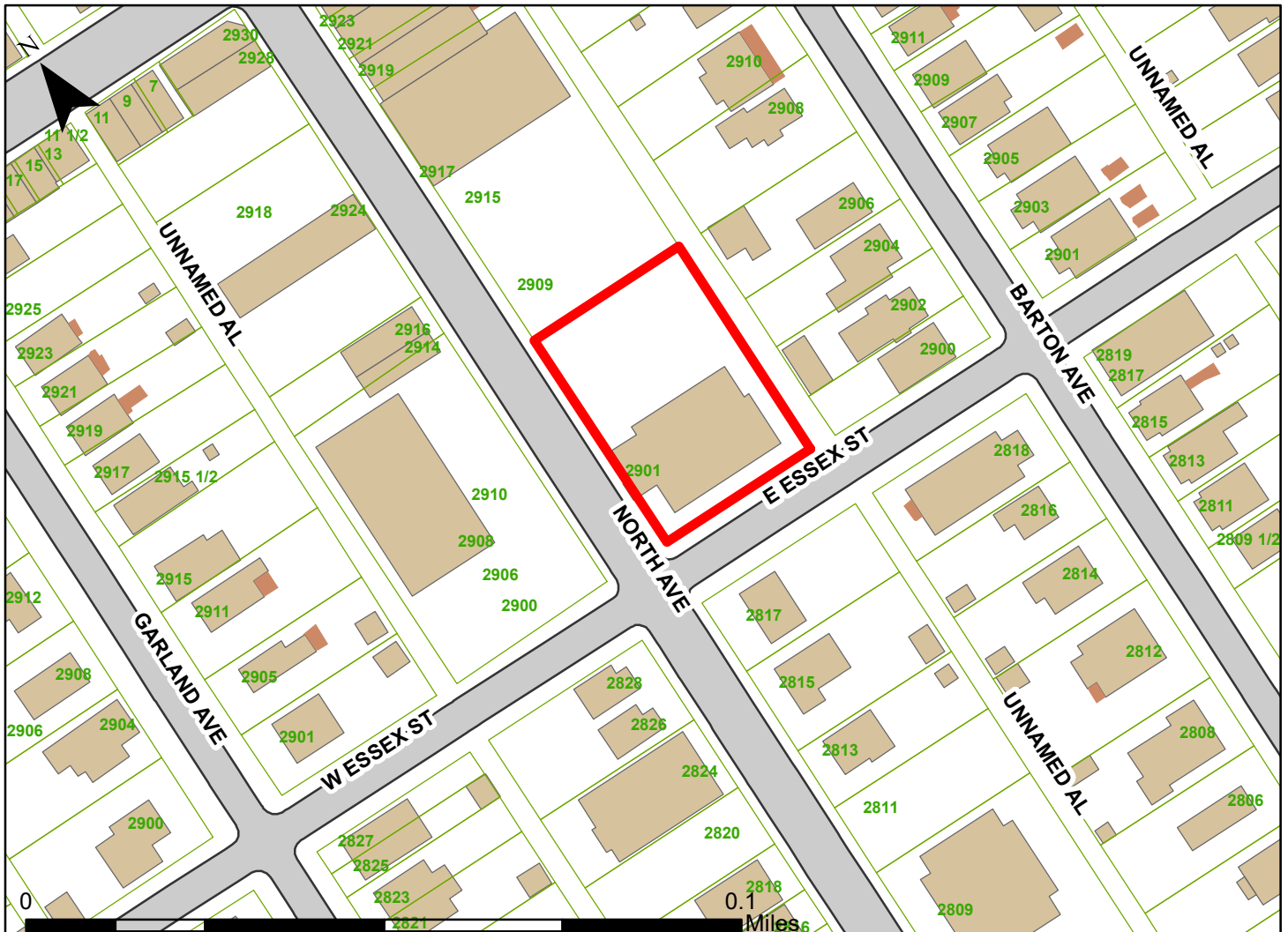
LOCATION: 2901 North Avenue

COUNCIL DISTRICT: 3

PROPOSAL: Final review of Richmond Public Library - North Avenue Branch Site Improvements.



*For questions, please contact Alex Dandridge
at 646-6569 or alex.dandridge@richmondgov.com*





Application for Urban Design Committee Review

Department of Planning and Development Review
Planning & Preservation Division
900 E. Broad Street, Room 510
Richmond, Virginia 23219 | (804) 646-6335
www.richmondgov.com/CommitteeUrbanDesign



Application Type (select one)

Location, Character, & Extent
Section 17.05
Other:

Encroachment
Design Overlay District

Review Type (select one)

Conceptual
Final

Project Information

Submission Date: _____

Project Name: _____

Project Address: _____

Brief Project Description (this is not a replacement for the required detailed narrative):

Applicant Information (a City representative must be the applicant, with an exception for encroachments)

Name: _____ Email: _____

City Agency: _____ Phone: _____

Main Contact (if different from Applicant): _____

Company: _____ Phone: _____

Email: _____

Submittal Deadlines

All applications and support materials must be filed no later than 21 days prior to the scheduled meeting of the Urban Design Committee (UDC). Please see the schedule on page 3 as actual deadlines are adjusted due to City holidays. **Late or incomplete submissions will be deferred to the next meeting.**

Filing

Applications can be mailed or delivered to the attention of "Urban Design Committee" at the address listed at the top of this page. **It is important that the applicant discuss the proposal with appropriate City agencies, Zoning Administration staff, and area civic associations and residents prior to filing the application with the UDC.**

Submittal Deadlines

The UDC is a ten member committee created by City Council in 1968 whose purpose is to advise the City Planning Commission (CPC) on the design of projects on City property or right-of-way. The UDC provides advice of an aesthetic nature in connection with the performance of the duties of the Commission under Sections 17.05, 17.06, and 17.07 of the City Charter. The UDC also advises the Department of Public Works in regards to private encroachments in the public right-of-way.

Greening Richmond Public Libraries

IMPROVING THE HEALTH OF THE JAMES RIVER BY REDUCING STORMWATER POLLUTION

North Avenue Branch

Project Description

The site is located in North Richmond in a densely populated and heavily urbanized area. Stormwater runoff and flooding are major issues in this combined sewer district and particularly on Essex Street along the south side of the site. Soil infiltration values are surprisingly good and well suited to managing runoff on site, although the small size of the property presented a design challenge. It is important to discourage loitering on this site by not providing outdoor seating. This site is in a prime location to draw residents in to engage in environmental education.

The purpose of the project is to develop a series of bioretention basins designed to Virginia Department of Environmental Quality standards to infiltrate storm water discharge from the roof, and develop an ecologically responsible landscape that can be used as an educational tool. Impervious area and invasive species will be removed with native plants added as safety and space allow. The project strives to become a model of sustainable site development with educational components accomplished through the use of interpretive signage, special library programs, and community involvement and support. The design was informed by public charettes and the collaborative project management effort of Richmond Public Library staff, RVAH2O, The James River Association, and Four Winds Design.

The purpose of the project is to develop a series of bioretention basins designed to Virginia Department of Environmental Quality standards to infiltrate storm water discharge from the roof, sidewalks, and parking lot; as well as develop an ecologically responsible landscape that can be used as an educational tool and gathering space. Impervious area and some non-native species will be removed with native plants added for shade, wildlife habitat, and other ecosystems services. The project strives to become a model of sustainable site development with educational components accomplished through the use of interpretive signage, special library programs, and community involvement and support. An arrival court and nearby seating area for multi-functional community use and outdoor gatherings will be composed of pervious pavers and seat walls. The design was informed by public charettes and the collaborative project management effort of Richmond Public Library staff, RVAH2O, The James River Association, and Four Winds Design.

This project is funded by a 319H grant from the Virginia Department of Environmental Quality (\$34,356.00), the City of Richmond Department of Public Utilities – Stormwater Utility (\$50,000.00) and supported by staff hours from The James River Association and RVAH2O with service donations from Four Winds Design.

Construction is tentatively scheduled to begin in March and April of 2021. Demolition and site infrastructure, large tree plantings, proposed parking lot curbs, arrival court and associated features, and bioretention basins will all be accomplished with an independent contractor. Volunteers will be used for shrub and perennial planting, mulching, and clean-up.

Maintenance Analysis

All maintenance of RPL properties is performed by an independent contractor managed by RPL staff. The site improvements at Westover Hills Branch Library, which were completed in phases from 2014-2019, has served as maintenance testing grounds and pilot project. The current project team has met with the landscape maintenance contractor to outline the methodologies that will best suit the contractor's team and the need for

more careful landscape maintenance practices than typically offered in a commercial setting. Collectively we have arrived at creating a site-specific manual for each property containing the sections outlined below. Manuals will be available in Spanish.

In addition to meeting with the contractor and his team to walk the site these manuals will be provided to the contractor and kept on site. Each site contains a “Bee Zone” that will require the extra care needed to grow herbaceous perennials. These areas are marked on site with edging of a color consistent throughout all branches and delineated in plan form in the manual. On this site the Bee Zone is defined with the cap of the concrete retaining wall (see plans).

As part of the construction process the maintenance contractor will be awarded some of the plant installation work. We hope that this inclusion gives him and his employees a sense of ownership in the sites.

Manual Section One

Briefly describe the intent of the project, extent of site improvements, and role of the contractor in ecosystem management. Provide a very basic site plan highlighting Bee Zones for hand weeding, no herbicide use, different mulching applications, and general careful treatment. The plan may also show areas suitable for on-site composting if applicable. DPU will provide interpretive signage for these locations at a later date. All composting areas will be surface composting only for leaves only to be used as a mulch substitute. A few key terms such as “selective pruning” and “herbaceous perennial” will be defined. The correct use of herbicides will be outlined as this is a major issue on all sites.

Note that all gutters, conveyance channels, and spillways are visually open systems that can be easily removed of debris with a blower. The maintenance of underdrain systems, all masonry surfaces, interpretive signs, and other landscape elements outside of typical landscaping is the responsibility of Richmond Public Libraries.

Manual Section Two

Common plant species: provide images of groups of native plants used on site (this will be the same for all sites but not all contractor employees may work on each site) and common mistakes/ issues to be aware of:

- Ornamental grasses: These only need to be cut back once a year and need no other care
- Deciduous shrubs: Require only selective pruning once a year if at all, plant type specific
- Evergreen shrubs: Rarely require pruning except to control size
- Trees: No mulch should touch the trunk, needs only 3-4” of mulch at base
- Perennials: Know where they are and what they look like as they emerge in the spring

The above guidelines are examples only and these will be expanded upon. “If in doubt of how to treat a plant, ask first or leave it alone.”

Manual Section Three

Seasonal charts capturing all landscape maintenance needs outside of lawn mowing and treatments, blowing off surfaces, and leaf removal:

- Late winter or fall pruning – when and why
- Spring/ fall plant replacements (approved by library staff)
- Activation and winterization of irrigation systems, head adjustments
- Mulching: to occur only once a year or twice a year in lighter applications at the discretion of the contractor (but we don’t need 6-8” of mulch applied per year). Planting bed edging techniques.
- Corrective tree pruning: to be performed by city arborists and Richmond Tree Stewards.
- Fertilizations: by special request of branch managers only

A maintenance visit sequence of work will be outlined to encourage leaves to be mown into the lawn areas and any accumulated debris and leaves to be blown into designated composting areas if applicable.

Common mistakes will be noted such as shearing shrubs with electric pruners twice a year and burying plants in mulch. Some of this will be redundant for emphasis. A clear methodology of reporting issues to branch managers such as irrigation damage will be outlined. Likewise, a methodology of branch managers reporting issues to the contractor will be defined. Responsible parties designated for all items including confirming dead/damaged beyond regrowth plants to be removed and suitable replacements. Cost for replacement manuals will be defined.

Greening Richmond Public Libraries

IMPROVING THE HEALTH OF THE JAMES RIVER BY REDUCING STORMWATER POLLUTION

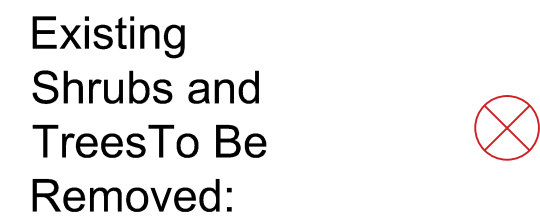
North Avenue Branch Library

2901 North Avenue, Richmond, 23222



Legend:

- Downspout locations
- Water Meter
- Gas Meter
- Electric Meter
- Site Pole Lights
- City Street Lights
- City Utility Pole
- City No Parking Sign
- Proposed Bioretention Basins



NOTES

THE FOLLOWING ELEMENTS SHALL BE CONSISTENT BETWEEN LIBRARY BRANCHES IMPROVED UNDER THIS ENDEAVOR: ALL INTRODUCED METAL COMPONENTS INCLUDING SIGN FRAMES (TEXTURED BROWN POWDER COAT), CONVEYANCE CHANNELS (CHALET STONE IN MORTAR BED), BEE ZONE PERIMETER MARKING (BROOM FINISH CONCRETE WITH COLOR ADMIXTURE):

SEE UDC SUBMISSION APPLICATION FOR WESTOVER HILLS BRANCH FOR EXAMPLE OF INTERPRETIVE SIGN GRAPHICS AND FRAME DETAILS.

THE BRICK USED TO OVERLAY THE EXISTING SPLASH BLOCK SHALL MATCH THE EXISTING BRICK ALONG WITH MATCHING MORTAR. USE MAX 3/8" COLOR MATCHING POLYURETHANE CAULK WHERE BRICK ABUTS BUILDING FOUNDATION.

THE SPILLS WAYS SHALL BE MOSEGI RECTANGULAR WATER SPOUT, CUSTOM DIMENSIONS 12" W x 15" D x 3" H, CUSTOM POWDER COAT COLOR TO MATCH SIGN FRAMES (SUBMITTAL REQUIRED). OPEN BACKING, PROVIDE 2" L BRACKET AT UNDERSIDE OF INLET FOR MOUNTING. 3" PROJECTION AT WALL FACE.

THE TRENCH GRATES SHALL BE BAR GRATING ITEM 6601 143632 BY McNICHOLS STEEL, (ADA COMPLIANT PRODUCT WHEN DIRECTION OF BEARING BARS INSTALLED PERPENDICULAR TO DOMINANT DIRECTION OF TRAVEL). PROVIDE FRAME IN MATCHING RECTANGULAR BAR AND L BRACKETS WITH COATED EMBEDDED ANCHORS FOR MOUNTING TO CONCRETE WALK EDGES. USE TYPE 304 BRACKET, GFSS-1 SADDLE CLIP, (3) PER L BRACKET TO SECURE GRATES. ALL COMPONENTS POWDER COATED TEXTURED BRONZE TO MATCH SPILLWAY AND SIGN.

PENDING PRICING THE EXISTING PUBLIC SIDEWALK MAY BE LEFT IN PLACE WITH RETAINING WALL TO RUN IMMEDIATELY PARALLEL. CONVEYANCE CHANNELS, SPILLWAYS, AND TRENCH GRATES TO REMAIN THE SAME. SEE EXISTING CONDITIONS IMAGE.



Remove concrete, gravel, and soil to a depth of 36" from tree wells. Install engineered soil, see notes

Remove Barberry shrubs & diseased Chinese hollies
Remove concrete, gravel, and soil to a depth of 36" from tree wells. Install engineered soil, see notes

Interpretive sign, see notes

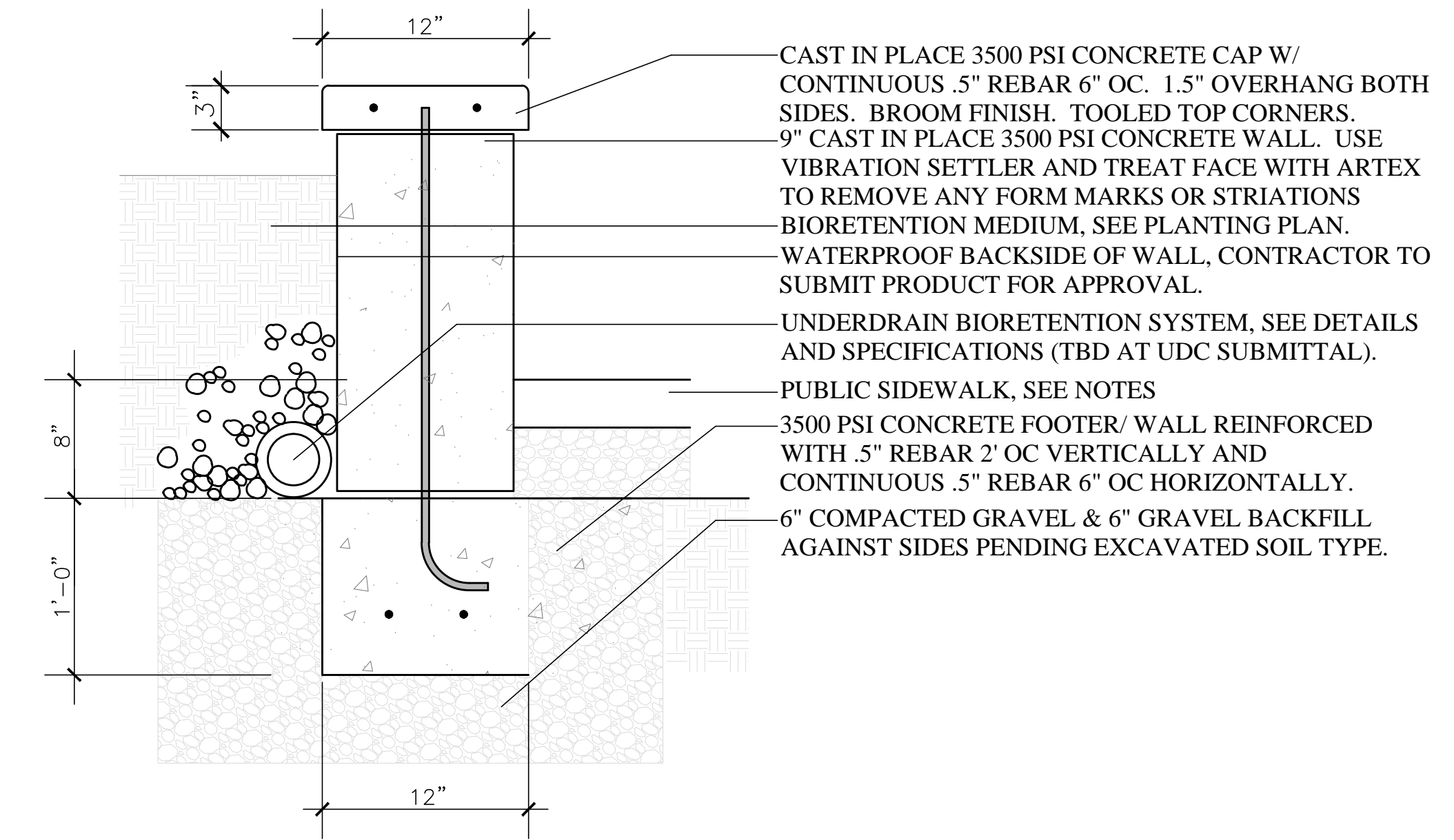
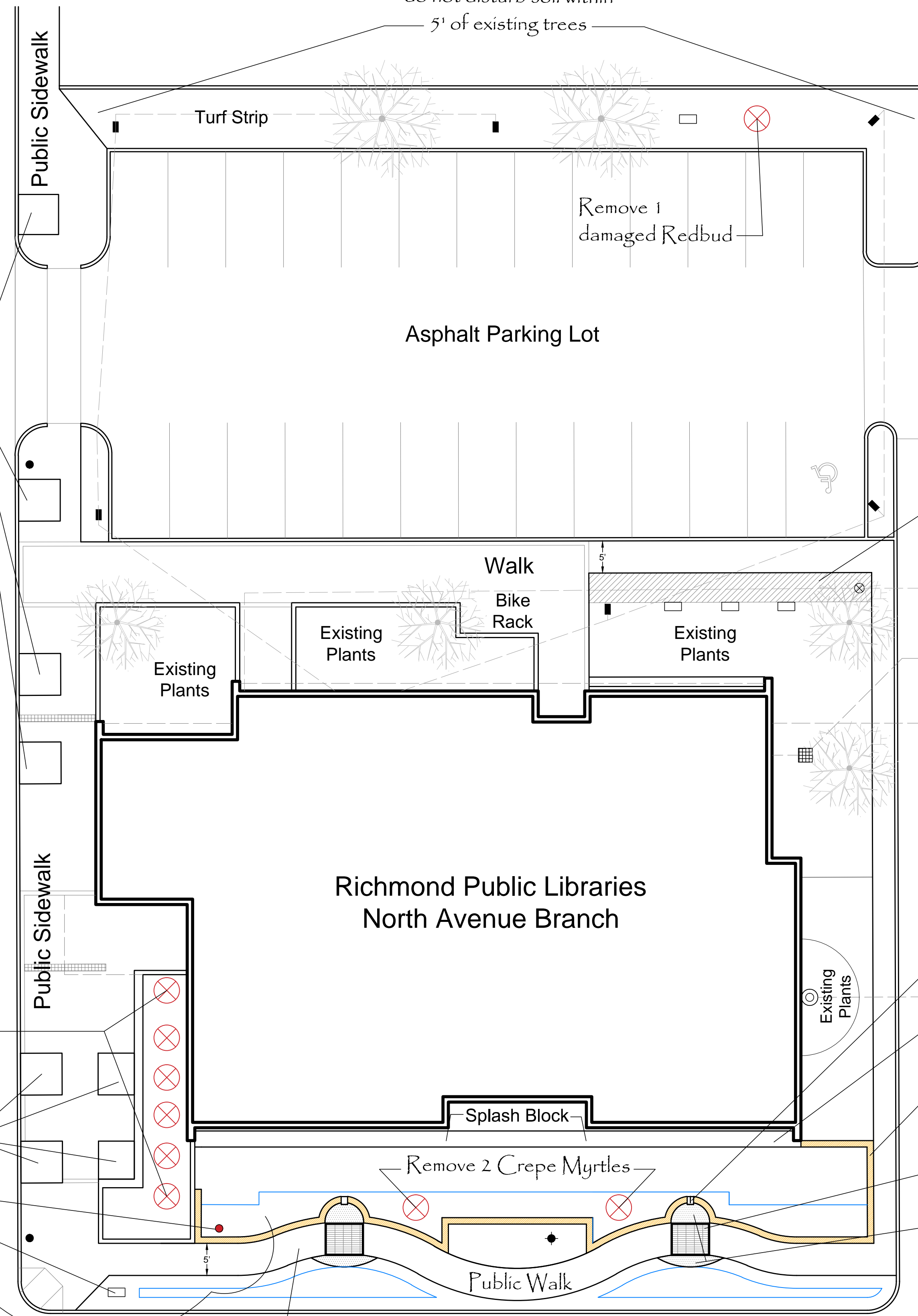
Relocate No Parking sign

Multi-cell bioretention basins

Remove existing walk (see image) and pour realigned sidewalk with surface and finish styles to match existing

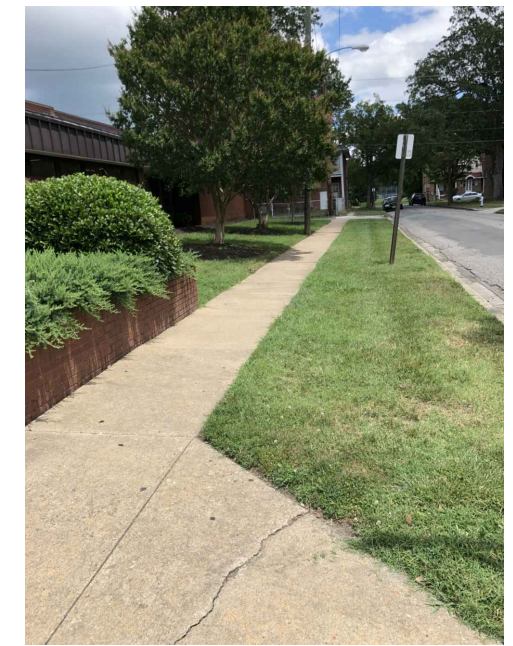
Excavate turf strip to concave profile with finish grade 3" below curbs and center of space 4" below curbs. do not disturb soil within

5' of existing trees



Concrete Retaining Wall
NO SCALE

Remove portion of concrete and sub base to native soil leaving city standard minimum width. Remove liriope. Note water meter location



Existing Conditions, South Side of site

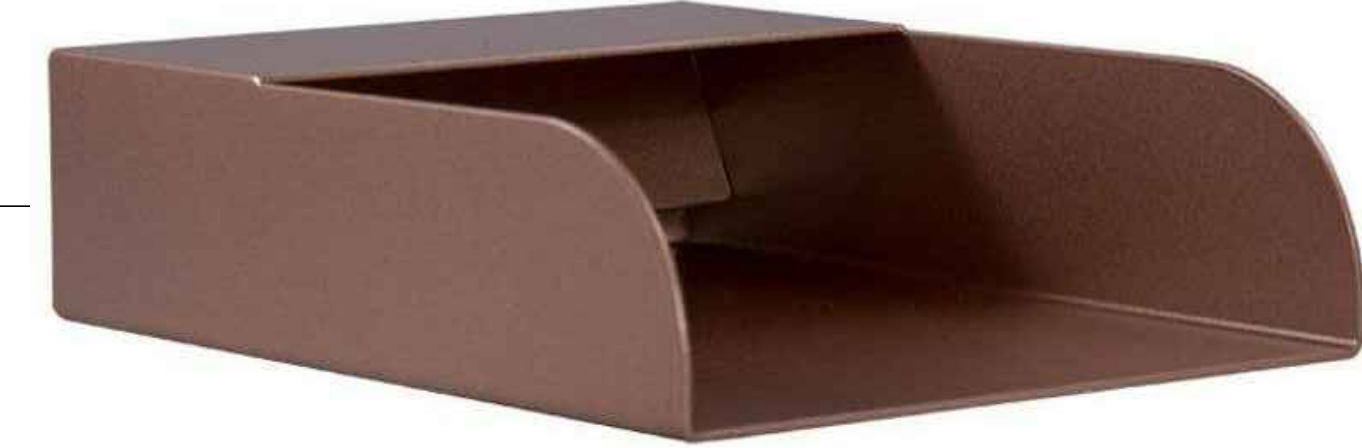
Spillway, see notes for specifications

Add brick course to splash block, see notes

Retaining wall, see detail. Set finished wall height 1" above finished splash block elevation. Wall cap defines Bee Zone

Trench grate, see notes for specifications

Conveyance channels, ornamental gravel in 4" mortared bed, finish surface with acid wash to clean stone. Use 40% 3-5" stone and 60% 1-3" stone.



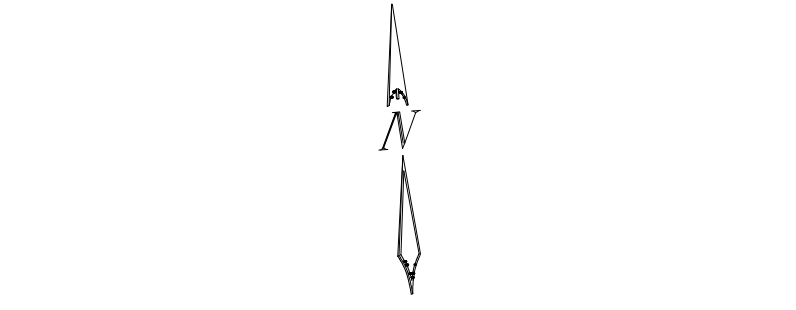
G W S

Greening Richmond Public Libraries

IMPROVING THE HEALTH OF THE JAMES RIVER BY REDUCING STORMWATER POLLUTION

North Avenue Branch Library

2901 North Avenue, Richmond, 23222



Legend:

- Downspout locations
- Water Meter
- Gas Meter
- Electric Meter
- Site Pole Lights
- City Street Lights
- City Utility Pole
- City No Parking Sign
- Proposed Bioretention Basins

Existing Trees & Shrubs To Be Preserved:

PLANTING NOTES

AN IRRIGATION SYSTEM IS TO BE INSTALLED OVER THE ENTIRE SOUTHERN SIDE OF THE SITE AND UP THE ALLEY TO COVER THE REDBUDS. MISTER HEADS ARE TO BE USED IN ALL AREAS WITH NO THROWS REACHING MASONRY SURFACES. LOCATE CONTROL BOX IN THE BUILDING. CONTRACTOR TO SUBMIT AN IRRIGATION SCHEMATIC TO FOUR WINDS AND HOMEOWNER FOR APPROVAL UPON BID AWARD. PROVIDE AN ADDITIONAL VALVE BOX FOR FUTURE ZONES NORTH OF THE REDBUDS. UPON COMPLETION CONTRACTOR SHALL FILL OUT THE ZONE LABELS IN THE CONTROL BOX AND PROVIDE A MARKED UP AND LAMINATED IRRIGATION SCHEMATIC SHOWING ZONE LOCATIONS AT 8.5" x 11".

ALL TREES AND SHRUBS SHALL CONFORM TO THE MOST RECENT EDITION OF THE AMERICAN STANDARDS FOR NURSERY STOCK, PUBLISHED BY THE AMERICAN ASSOCIATION OF NURSERYMEN. LOCALLY GROWN NURSERY STOCK SHALL BE USED FOR THE 50% VARIETIES.

THE QUALITY OF THE PLANT MATERIAL MUST BE OF A HIGH STANDARD. NO PLANTS ARE TO BE STORED ON SITE FOR LONGER THAN 48 HRS. AND ALL STORED PLANTS MUST BE KEPT IN FULL SHADE AND WATERED DAILY. CONTRACTOR SHALL PROVIDE A GUARANTEE AGAINST PLANT MORTALITY FOR A PERIOD OF ONE YEAR.

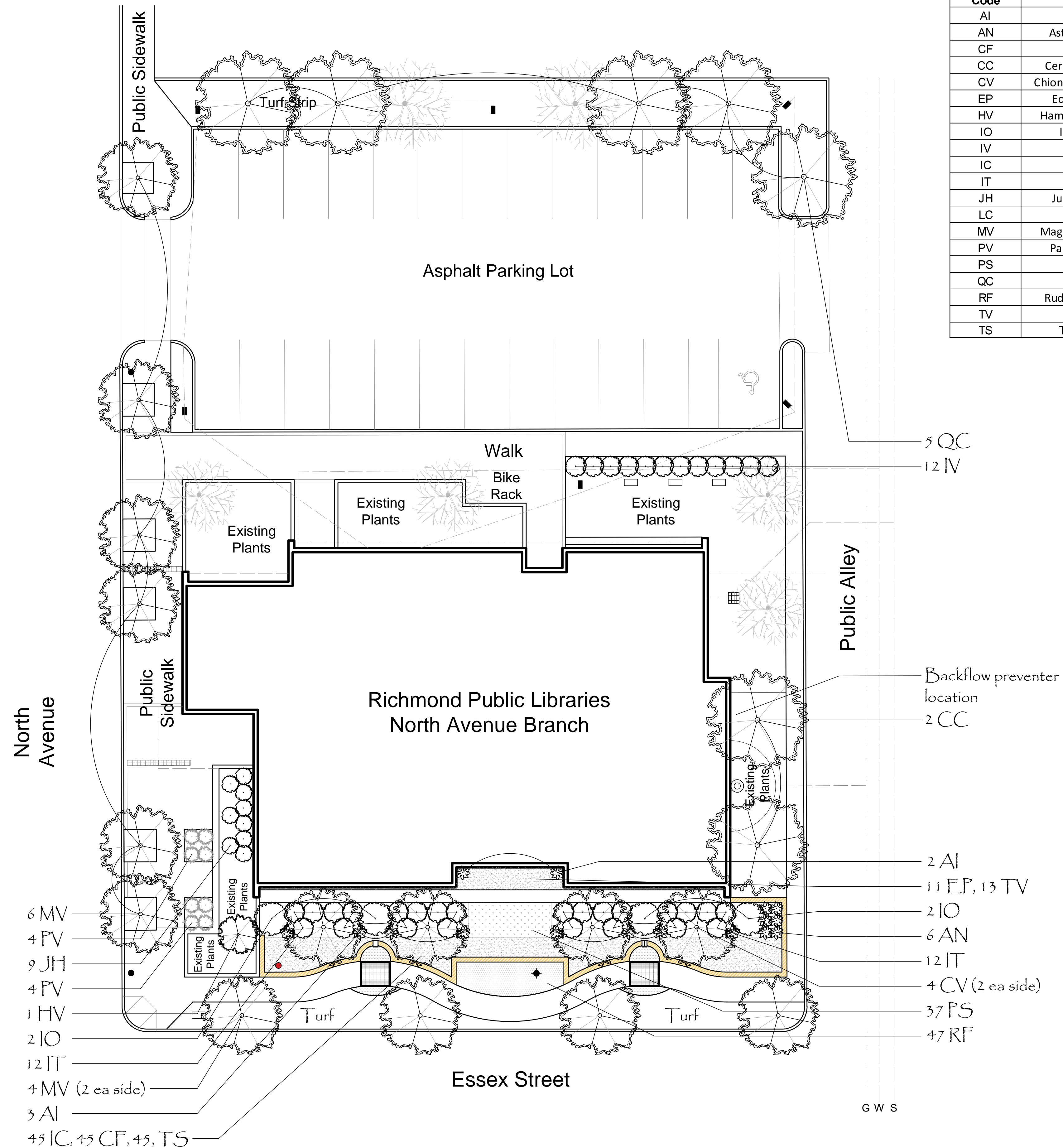
ALL PLANTING BEDS SHALL BE TREATED WITH THREE TO FOUR INCHES OF HARDWOOD DOUBLE SHREDDED MULCH DYED BROWN. COMPOST OR A BEDDING MIX SHALL BE TILLED INTO THE SOIL A DEPTH OF 4" IN ALL PLANTING AREAS EXCEPT WHERE SOIL IS TO BE REMOVED (SEE BELOW). FINISHED GRADE OF ALL TOPSOIL SHALL BE 3" BELOW HARDSCAPE ELEVATIONS.

ALL DEBRIS SHALL BE REMOVED FROM THE SOIL IN ALL PLANTING AREAS.

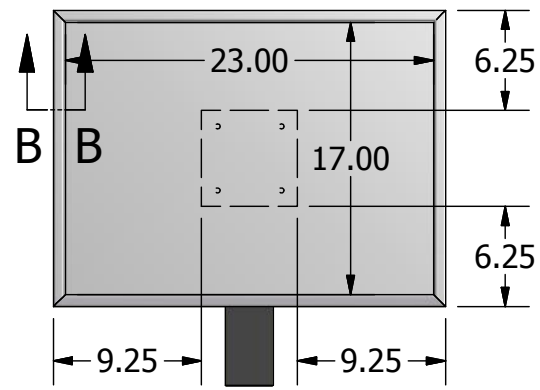
THE SOIL IN THE TREE WELLS SHALL BE 50% TOPSOIL AND 50% LEAF OR MUSHROOM COMPOST. THE SOIL IN THE BIORETENTION BASINS SHALL BE 50% SAND, 25% TOPSOIL, AND 25% LEAF OR MUSHROOM COMPOST. SUBMITTALS REQUIRED.

PLANT SUBSTITUTIONS MUST BE APPROVED BY FOUR WINDS. ONLY EASTERN NORTH AMERICAN NATIVE PLANTS MAY BE USED.

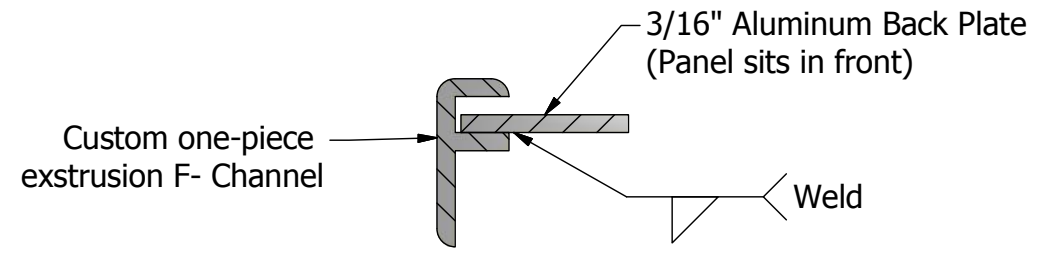
PLEASE SEE UDC APPLICATION ATTACHMENTS FOR LANDSCAPE MAINTENANCE ANALYSIS.



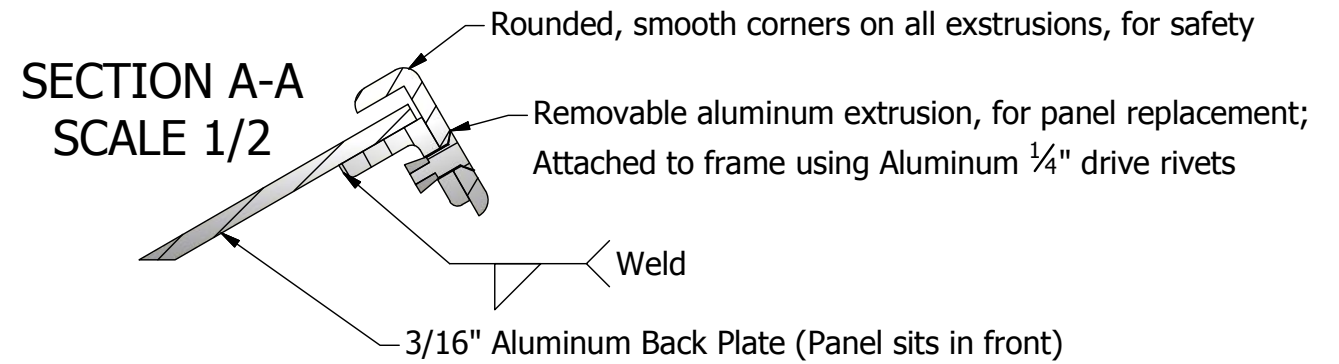
| Plant Schedule | | | | |
|----------------|---|--------------------|----------|----------|
| Code | Botanical Name | Common Name | Quantity | Size |
| AI | Asclepias incarnata | Swamp Milkweed | 8 | 1 Gal |
| AN | Aster novi-belgii 'Wood's Purple' | Aster | 6 | 1 Gal |
| CF | Carex flaccosperma | Sedge | 45 | 3 Qrt |
| CC | Cercis canadensis 'Hearts of Gold' | Golden Redbud | 2 | 2.5" Cal |
| CV | Chionanthus virginicus (limb up to 36") | White Fringetree | 4 | 6-8' |
| EP | Echinacea purpurea 'PowWow' | Purple Coneflower | 11 | 1 Gal |
| HV | Hamamelis vernalis (limb up to 30") | Witchazel | 1 | 10 Gal |
| IO | Ilex opaca 'Maryland Dwarf' | American Holly | 4 | 7 Gal |
| IV | Ilex vomitoria 'Bordeaux' | Dwarf Yaupon Holly | 12 | 5 Gal |
| IC | Iris cristata | Iris | 45 | 1 Gal |
| IT | Itea virginica 'Merlot' | Sweetspire | 24 | 5 Gal |
| JH | Juniperus horizontalis 'Wiltonii' | Blue Rug Juniper | 9 | 3 Gal |
| LC | Lobelia cardinalis | Cardinal Flower | 12 | 1 Gal |
| MV | Magnolia virginiana (standard form) | Sweetbay Magnolia | 10 | 15 Gal |
| PV | Panicum virgatum 'Shenandoah' | Switch Grass | 8 | 3 Gal |
| PS | Penstemon sp 'Red Rocks' | Beard Tongue | 37 | 1 Gal |
| QC | Quercus coccinea | Scarlet Oak | 5 | 2.5" Cal |
| RF | Rudbeckia fulgida 'Little Gold Star' | Black-eyed Susan | 45 | 1 Gal |
| TV | Tradescantia virginiana | Spiderwort | 13 | 1 Gal |
| TS | Tradescantia sp 'Good Luck' | Spiderwort | 40 | 1 Gal |



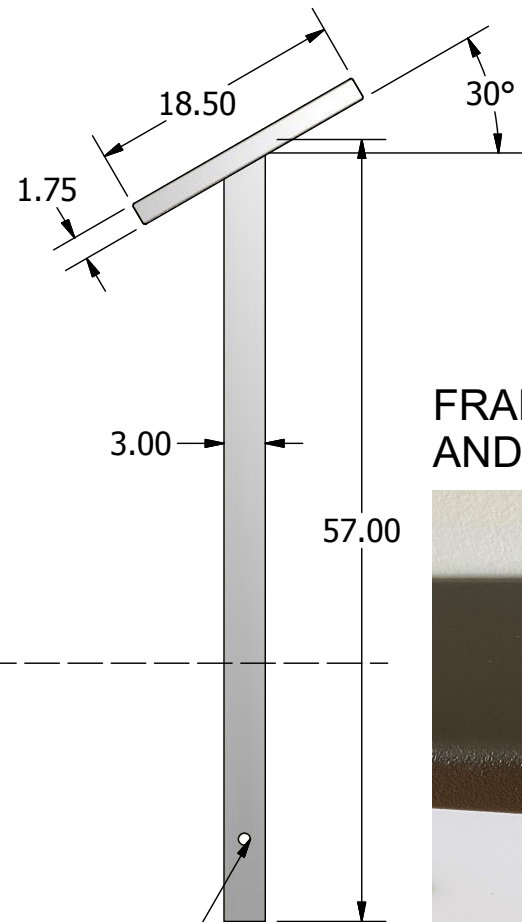
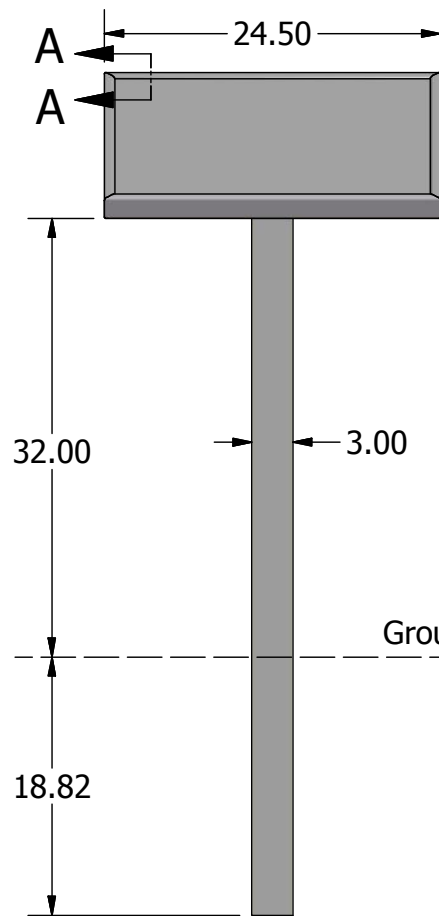
Frame has weep holes drilled along bottom for water drainage



SECTION B-B
SCALE 1/2



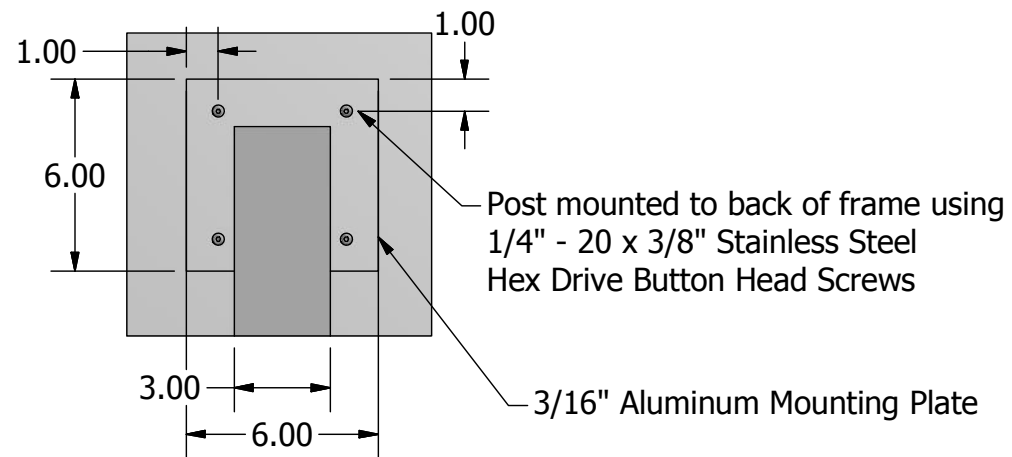
SECTION A-A
SCALE 1/2



FRAME COLOR AND TEXTURE

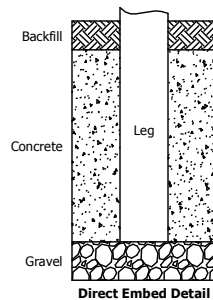


MOUNTING PLATE (leg to plate)



Holes for optional concrete reinforcement using steel rebar inserts

| HARDWARE INCLUDED | | |
|---|--------|-------|
| Type | QTY | Image |
| 1/4"-20 x 3/8" Stainless Steel Hex Drive Button Head Screws | 4 each | |
| 5/32" Hex Key | 1 each | |
| 1/4" Aluminum Drive Rivets | 2 each | |

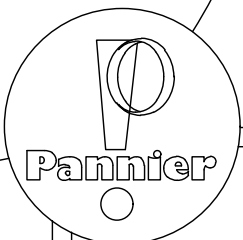


Single Pedestal Exhibit Base
James River Association

Frame Size: 24.5"w x 18.5"h
Trim Size: 23.875"w x 17.875"h
Visual Area: 23"w x 17"h
Frame Color:
Finish: der Coated Textured

- Approved As Is
- Make Changes and Proceed
- Make Changes and Resubmit

CUSTOMER SIGNATURE



345 Oak Road
 Gibsonia, PA 15044
 Phone: 724.265.4900
 Fax: 724.265.4300
 www.PannierGraphics.com

Job #
91336
Qty:
1
Date:
06/15/2020
Rev. #:
0
Drawn By:
MLE

* Post holes should be dug below the frost line depth. Pannier recommends height from ground to bottom of frame to be 32".