



Application for URBAN DESIGN COMMITTEE Review

Department of Planning and Development Review
Planning & Preservation Division
900 E. Broad Street, Room 510
Richmond, Virginia 23219
(804) 646-6335

<http://www.richmondgov.com/CommitteeUrbanDesign>

Application Type

- Addition/Alteration to Existing Structure
- New Construction
- Streetscape
- Site Amenity

- Encroachment
- Master Plan
- Sign
- Other

Review Type

- Conceptual
- Final

Project Name: Verizon Wireless Data Node- SC Bryan Park

Project Address: 4308 Hermitage Road

Brief Project Description (this is not a replacement for the required detailed narrative) : _____

Installation of a data node attached to an existing pole.

Applicant Information

(on all applications other than encroachments, a City agency representative must be the applicant)

Name: City of Richmond  Email: barry.russell@richmondgov.com

City Agency: Department of Parks, Recreation and Community Facilities Phone: 646-5944

Address: 1209 Admiral Street

Main Contact (if different from Applicant): Jennifer D. Mullen

Company: Roth Doner Jackson, PLC Phone: 977-3374

Email: jmullen@rothdonerjackson.com

Submittal Deadlines

All applications and support materials must be filed no later than 21 days prior to the scheduled meeting of the Urban Design Committee (UDC). Please see the schedule on page 3 as actual deadlines are adjusted due to City holidays. **Late or incomplete submissions will be deferred to the next meeting.**

Filing

Applications can be mailed or delivered to the attention of "Urban Design Committee" at the address listed at the top of this page. **It is important that the applicant discuss the proposal with appropriate City agencies, Zoning Administration staff, and area civic associations and residents prior to filing the application with the UDC.**

UDC Background

The UDC is a ten member committee created by City Council in 1968 whose purpose is to advise the City Planning Commission on the design of projects on City property or right-of-way. The UDC provides advice of an aesthetic nature in connection with the performance of the duties of the Commission under Sections 17.05, 17.06 and 17.07 of the City Charter. The UDC also advises the Department of Public Works in regards to private encroachments in the public right-of-way.

Verizon Wireless is proposing data nodes in 5 park sites. These data nodes are part of the City-wide rollout discussed with the text amendment for private property sites that was adopted by City Council in May of this year in order to streamline the City approval process and reduce the time period for the approval process. The data nodes are small antennas designed to increase data capacity in areas where people gather and ultimately use cellular data for a variety of uses. Data demand has increased exponentially over the last few years, doubling from 2012 to 2013, and is expected to increase 650% by 2018, as the number of uses for mobile devices and the sheer number of devices increases. Data nodes work with the traditional cell towers to offload capacity maintaining the network at a high level. The antennas are low profile antennas, which are typically approximately 20' to 30' off the ground, and designed to target a particular area with a radius of approximately 500' to 1000'. The park sites submitted for Location, Character and Extent were determined based on the high number of users of the sites. The City's Department of Parks, Recreation and Community Development have reviewed and approved these locations and designs.

The location in Bryan Park is located on the top of an existing 26' utility pole adjacent to the soccer field, for an overall height of approximately 29.2'. The equipment is located in a fully enclosed 10x10 area adjacent to the rear of the existing chain link enclosure for the existing utility equipment.

The location was selected based on the high volume of user data traffic, which will assist in offloading the data traffic. In turn the capacity of the data and voice improves, increasing safety and maintaining the overall network.

PARCEL INFORMATION:

OWNER: CITY OF RICHMOND/RECREATION & PARKS
 PARCEL ID: N017-0250-001
 ZONING CLASS: R-1
 ACREAGE: 247



NOTE:

- 1. ANTENNA, EQUIPMENT & EASEMENTS SUBJECT TO CHANGE
- 2. EXACT FIBER ROUTE TO BE DETERMINED DURING TRANSPORT SITE WALK

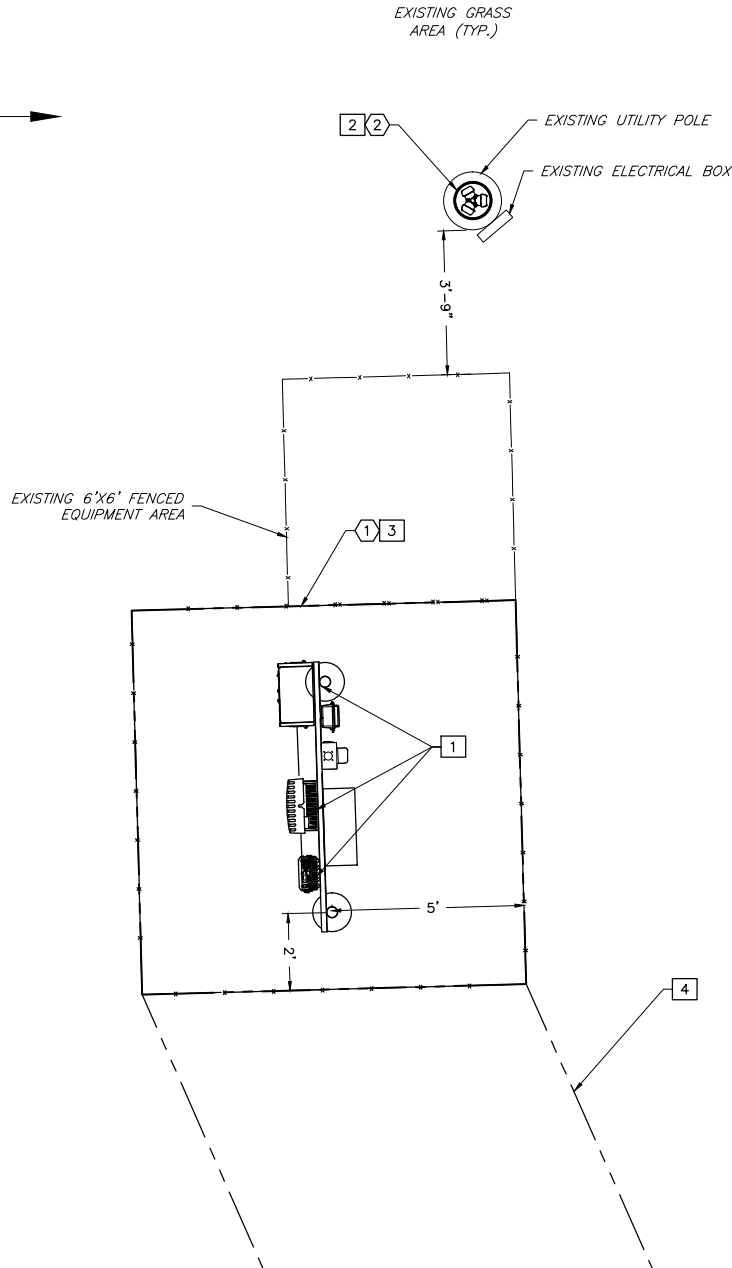
SITE PLAN

CONDUIT	LEASE NOTES
APPROXIMATE TELCO RUN LENGTH = TBD APPROXIMATE ELECTRICAL RUN LENGTH = 3'±	<ul style="list-style-type: none"> ① NEW TENANT 10'x10' WIRE MESH LEASE AREA FOR EQUIPMENT MOUNTED ON 6' H-FRAME ② NEW TENANT ANTENNA TO BE MOUNTED ON TOP OF EXISTING UTILITY POLE ③ NEW TENANT 10' ACCESS/UTILITY EASEMENT

 <p>NB+C ENGINEERING SERVICES, LLC. 4435 WATERFRONT DRIVE, SUITE 100 GLEN ALLEN, VA 23060</p>	<p>"SC BRYAN PARK" VERIZON WIRELESS 4308 HERMITAGE ROAD RICHMOND, VA 23227 CITY OF RICHMOND</p>	<p>SUBMITTALS</p>	<p>SITE INFORMATION</p>													
		<table border="1"> <thead> <tr> <th>REV</th> <th>DATE</th> <th>BY</th> </tr> </thead> <tbody> <tr> <td>PRELIMINARY</td> <td>07/09/15</td> <td>TD</td> </tr> <tr> <td>1</td> <td>07/31/15</td> <td>PP</td> </tr> <tr> <td> </td> <td> </td> <td> </td> </tr> <tr> <td> </td> <td> </td> <td> </td> </tr> </tbody> </table>	REV	DATE	BY	PRELIMINARY	07/09/15	TD	1	07/31/15	PP					
REV	DATE	BY														
PRELIMINARY	07/09/15	TD														
1	07/31/15	PP														
<p>SHEET 1</p>																



ELEVATION



NOTE:
 1. ANTENNA, EQUIPMENT & EASEMENTS SUBJECT TO CHANGE
 2. EXACT FIBER ROUTE TO BE DETERMINED DURING TRANSPORT SITE WALK

COMPOUND PLAN

CONSTRUCTION NOTES

LEASE NOTES

- ① NEW TENANT EQUIPMENT MOUNTED ON NEW 6' H-FRAME
- ② NEW TENANT ANTENNA TO BE MOUNTED ON TOP OF EXISTING UTILITY POLE
- ③ NEW TENANT CHAIN LINK FENCE AROUND LEASE AREA TO MATCH EXISTING FENCE
- ④ NEW TENANT 10' ACCESS/UTILITY EASEMENT

- ① NEW TENANT 10'X10' LEASE AREA FOR EQUIPMENT
- ② NEW TENANT ANTENNA TO BE MOUNTED ON TOP OF EXISTING UTILITY POLE



NB+C ENGINEERING SERVICES, LLC.
 4435 WATERFRONT DRIVE, SUITE 100
 GLEN ALLEN, VA 23060

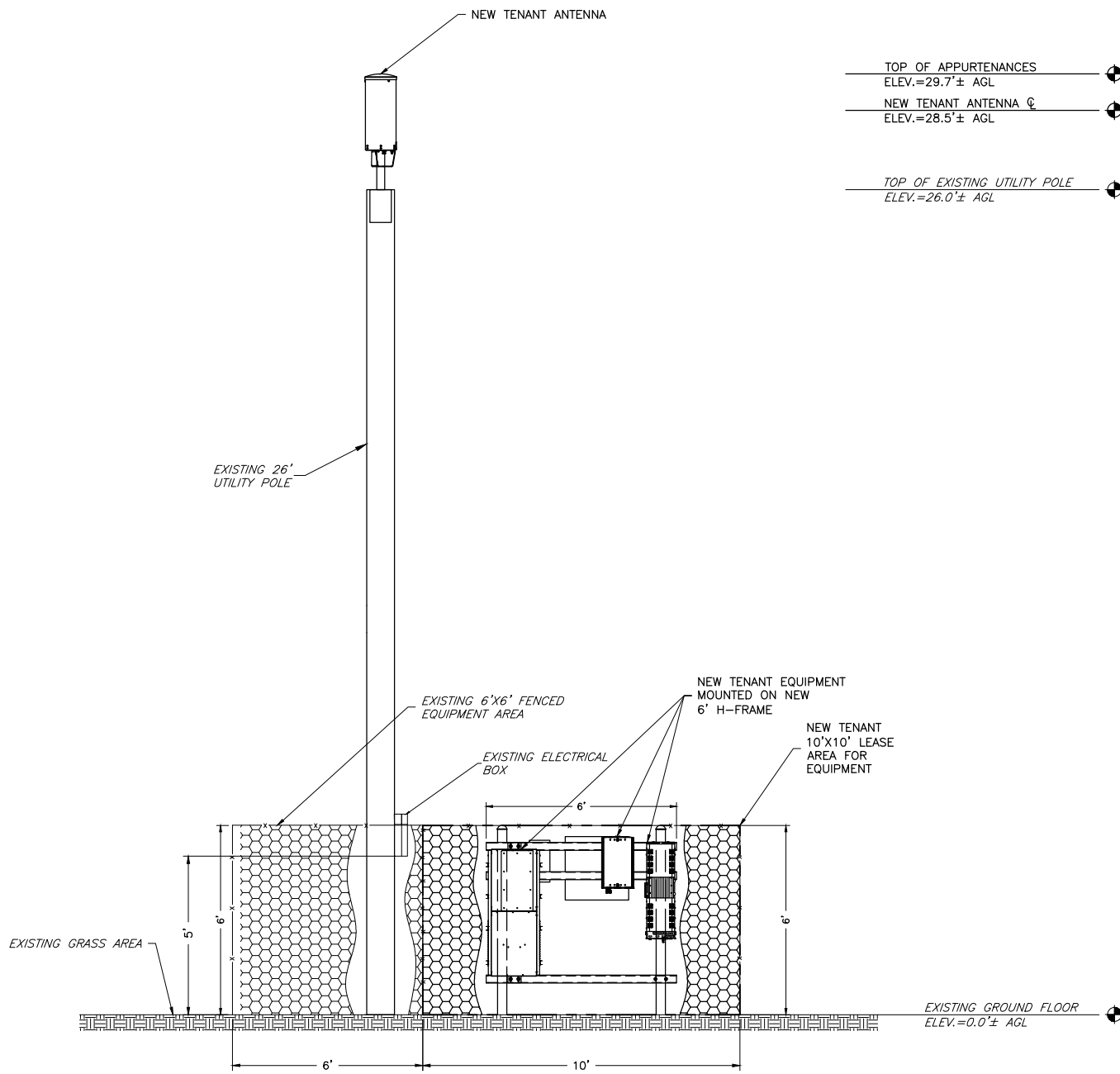
"SC BRYAN PARK"
 VERIZON WIRELESS
 4308 HERMITAGE ROAD
 RICHMOND, VA 23227
 CITY OF RICHMOND

SUBMITTALS

SITE INFORMATION

REV	DATE	BY
PRELIMINARY	07/09/15	TD
1	07/31/15	PP

SITE VISIT BY: DT
DATE: 06/10/14
GOOGLE EARTH
LAT (NAD 83): 37° 35' 30.45"
LONG (NAD 83): -77° 28' 13.70"



ELEVATION

NOTE:
 1. ANTENNA, EQUIPMENT & EASEMENTS SUBJECT TO CHANGE
 2. EXACT FIBER ROUTE TO BE DETERMINED DURING TRANSPORT SITE WALK



NB+C ENGINEERING SERVICES, LLC.
 4435 WATERFRONT DRIVE, SUITE 100
 GLEN ALLEN, VA 23060

"SC BRYAN PARK"
 VERIZON WIRELESS
 4308 HERMITAGE ROAD
 RICHMOND, VA 23227
 CITY OF RICHMOND

SUBMITTALS		
REV	DATE	BY
PRELIMINARY	07/09/15	TD
1	07/31/15	PP

SITE INFORMATION	
SITE VISIT BY: DT	
DATE: 06/10/14	
GOOGLE EARTH	
LAT (NAD 83): 37° 35' 30.45"	
LONG (NAD 83): -77° 28' 13.70"	



Site Name: SC Bryan Park
Small Network Node
4308 Hermitage Road
Richmond, VA 23227

Photograph Information:
Private Access Road
View from the Northeast
Showing the Existing Site

NB-C[™]
TOTALLY COMMITTED.



Site Name: SC Bryan Park
Small Network Node
4308 Hermitage Road
Richmond, VA 23227

Photograph Information:
Private Access Road
View from the Northeast
Showing the Proposed Site

NB-CTM
TOTALLY COMMITTED.