



Application for URBAN DESIGN COMMITTEE Review

Department of Planning and Development Review
Planning & Preservation Division
900 E. Broad Street, Room 510
Richmond, Virginia 23219
(804) 646-6335

<http://www.richmondgov.com/CommitteeUrbanDesign>

Application Type

- Addition/Alteration to Existing Structure
 New Construction
 Streetscape
 Site Amenity

- Encroachment
 Master Plan
 Sign
 Other

Review Type

- Conceptual
 Final

Project Name: _____

Project Address: _____

Brief Project Description (this is not a replacement for the required detailed narrative) : _____

Applicant Information

(on all applications other than encroachments, a City agency representative must be the applicant)

Name: _____ Email: _____

City Agency: _____ Phone: _____

Address: _____

Main Contact (if different from Applicant): _____

Company: _____ Phone: _____

Email: _____

Submittal Deadlines

All applications and support materials must be filed no later than 21 days prior to the scheduled meeting of the Urban Design Committee (UDC). Please see the schedule on page 3 as actual deadlines are adjusted due to City holidays. **Late or incomplete submissions will be deferred to the next meeting.**

Filing

Applications can be mailed or delivered to the attention of "Urban Design Committee" at the address listed at the top of this page. **It is important that the applicant discuss the proposal with appropriate City agencies, Zoning Administration staff, and area civic associations and residents prior to filing the application with the UDC.**

UDC Background

The UDC is a ten member committee created by City Council in 1968 whose purpose is to advise the City Planning Commission on the design of projects on City property or right-of-way. The UDC provides advice of an aesthetic nature in connection with the performance of the duties of the Commission under Sections 17.05, 17.06 and 17.07 of the City Charter. The UDC also advises the Department of Public Works in regards to private encroachments in the public right-of-way.



May 20, 2015

Project: Kanawha Plaza Improvements

Subject: Project Narrative

Date: For UDC Submittal, for review at June 5, 2015 Hearing

Kanawha Plaza was built over the newly constructed RMA expressway around 1980. The Plaza has been the home of very successful music concerts, small festivals and passive activities. It is accented with a gushing stepped water fountain at the street corner. The Plaza is in a state of disrepair; the concrete steps are damaged and decayed, the existing trees are overgrown, declining, or irregular. The fountain plumbing and pumps have been updated and functions well, but the concrete structure requires major renovation.

The City of Richmond is partnering with a number of private sector corporation sponsors, including Dominion Resources, who are working collectively to improve Kanawha Plaza. The goal is to renovate the park to create a safe, user friendly, attractive and semi-active outdoor amenity.

On May 18, 2015, the City's Planning Commission approved the design for the Park Design with the requirement that the Applicant present specifically highlighted design details to the Urban Design Committee for review and approval. Those include:

1. Lighting Fixtures
2. A final review of the planting list
3. Outdoor furniture (tables, chairs, drinking fountains, bollards and bike racks)
4. The Canopy over the fixed stage
5. Railings (handrails and guard railings)



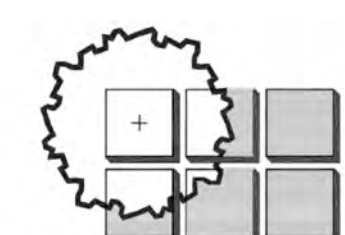
101 west Broad Street
 Suite 101B
 Richmond, VA 23220
 804.788.0880



115 South 15th Street
 Suite 200
 Richmond, VA 23219
 804.343.7100



DANIELS & ASSOCIATES, P.C.
 Consulting Engineers
 2112 W. Laburnum Avenue
 Suite 202
 Richmond, VA 23227
 804.553.1283



Snead Associates, P.C.
 Landscape Architecture
 8005 Creighton
 Parkway #703
 Mechanicsville, VA 23111
 804.649.8500

9th St.

HS ENGINEERING, INC.
 CONSULTING ENGINEERS
 479 Southlake Boulevard
 Richmond, VA 23236
 804.594.7210

Kanawha Plaza
 East Canal Street
 Richmond, Virginia

No.	Revision	Date	Appr'd

Designed by	Checked by

Issued for	Date
Planning Commission	April 20, 2015
Review	
Not Approved for Construction	

LANDSCAPE PLAN

SCALE: 1" = 20'

KEY	QUANTITY	BOTANICAL NAME	COMMON NAME	SIZE	NOTES/SPACING
Trees					
	14	Quercus coccinea 'Splendens'	Splendens Scarlet Oak	3" Caliper	B & B, Specimen, Spacing as shown
	49	Nyssa sylvatica	Black Gum	3" Caliper	B & B, Specimen, Spacing as shown
	3	Lagerstroemia indica 'Natchez'	Natchez White Crape Myrtle	10-12' Ht	B & B, Multi Stem, Straight Growth
	18	Crataegus phaenopyrum	Washington Hawthorn	6-7' Ht	B & B, Specimen, Spacing as shown
	21	Ilex attenuata 'Fosteri'	Fosteri Holly	10-12' Ht	B&B, Tree Form
	28	Magnolia grandiflora 'Little Gem'	Espalier Little Gem Magnolia	4-5' Ht	Espalier Form, Container Grown
	9	Platanus occidentalis	American Sycamore	3" Caliper	B & B, Specimen, Spacing as shown
	2	Ulmus parvifolia 'Bosque'	Bosque Elm	3" Caliper	B & B, Specimen, Spacing as shown

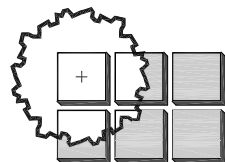
Shrubs

	243	Itea virginica	Virginia Sweetspire	5 Gallon	
	75	Ilex vomitoria 'nana'	Dwarf Yaupon Holly	5 Gallon	Container, 4' O.C.
	195	Ilex cornuta 'Burford Nana'	Dwarf Burford Holly	3 Gallon	Container, 4' O.C.
	99	Ilex verticillata	Winterberry	5 Gallon	Container, 3' O.C.
	53	Ilex crenata 'Hoogendorn'	Hoogendorn Holly	5 Gallon	Container, 3' O.C.

Perennials and Groundcovers

	295	Muhlebergia capillaris	Muhly Feathergrass	1 Gallon	Container, 3' O.C.
	145	Pennisetum alopecuroides	Fountain Fountain Grass	1 Gallon	Container, 3' O.C.
	640	Sedum angelina	Angelina Sedum	1 Qt	Container, 18" O.C.
	171	Calamagrostis acutiflora 'Carl Foerster'	Carl Foerster Feather Reed Grass	1 Gallon	Container, 3' O.C.
	109	Rudbeckia fulgida	Black Eyed Susan	1 Gallon	Container, 3' O.C.
	30	Stipa tenuissima 'Ponytails'	Ponytails Feathergrass	1 Gallon	Container, 2' O.C.
	101	Nepeta faassenii 'Dropmore'	Catmint	1 Gallon	Container, 2' O.C.
	65	Yucca 'Color Guard'	Variegated Adams Needle	1 Gallon	Container, 2' O.C.
	49	Tiarella cordifolia 'Brandywine'	Brandywine Foam Flower	1 Gallon	Container, 2' O.C.
	1385	Liriope muscari 'Royal Purple'	Royal Purple Green Liriope	1 Qt	Container, 12" O.C.
SOD	0.75ac	Bermuda spp. Sod	Sod All Disturbed Areas Not Designated As Plant Bed		

Plant List: Kanawha Plaza Improvements



Snead Associates, P.C.
 Landscape Architecture
 Land Use Planning
 8005 Creighton Pkwy #703
 Mechanicsville, VA 23111
 804-240-7823
 sneadassociates@aol.com

Design Development
 for
 Kanawha Plaza
 Improvements

Date: 05-19-2015
 Scale: ----
 Designed By: ----
 Drawn By: ----
 Checked By: C.G. Snead
 Project Number: ----

Sheet Number:

B

Canal St.

7th St.

9th St.

Byrd St.



**ARCHITECTURE
INTERIORS
URBAN DESIGN**

101 West Broad Street
Suite 101B
Richmond, VA 23220
804.788.0880



115 South 15th Street
Suite 200
Richmond, VA 23219
804.343.7100



DANIELS & ASSOCIATES, P.C.
Consulting Engineers
2112 W. Laburnum Avenue
Suite 202
Richmond, VA 23227
804.553.1283



Snead Associates, P.C.
Landscape Architecture
8005 Creighton
Parkway #703
Mechanicsville, VA 23111
804.649.8500



HS ENGINEERING, INC.
CONSULTING ENGINEERS
479 Southlake Boulevard
Richmond, VA 23236
804.594.7210

Kanawha Plaza
East Canal Street
Richmond, Virginia

No.	Revision	Date	Appr'd.

Designed by	Checked by
Issued for	Date
Demolition Set	May 22, 2015

SITE LAYOUT PLAN

L-1

Sheet 1 of 1

Project Number
33945.00

FURNISHINGS SCHEDULE:

KEY	QUANTITY	NAME	MANUFACTURER	MODEL #	NOTES/COLOR
[]	4	Bike Racks	Creative Pipe, Inc	HS-2-F-SS	Stainless Steel
△	2	Drinking Fountain	Willoughby Industries	Wodf-3-ADA-Pet	Stainless Steel
⊕	13 52	Tables Chairs	Americancountryhomestore.com	Fermob/Bistro	Verveine (Lime Green)
⊗	13	Trash Receptacles	Victor Stanley	S-2	Stainless Steel
•	16	Bollards	FairWeather Site Furnishings	B-8A	Silver

PLANT LIST: Kanawha Plaza

KEY	QUANTITY	BOTANICAL NAME	COMMON NAME	SIZE	NOTES/SPACING
[Tree Icon]	14	Quercus coccinea 'Splendens'	Splendens Scarlet Oak	3" Caliper	B & B, Specimen, Spacing as shown
[Tree Icon]	49	Nyssa sylvatica	Black Gum	3" Caliper	B & B, Specimen, Spacing as shown
[Tree Icon]	3	Lagerstroemia indica 'Natchez'	Natchez White Crape Myrtle	10-12' Ht	B & B, Multi Stem, Straight Growth
[Tree Icon]	18	Crataegus phaenopyrum	Washington Hawthorn	6-7' Ht	B & B, Specimen, Spacing as shown
[Tree Icon]	21	Ilex attenuata 'Fosteri'	Fosteri Holly	10-12' Ht	B&B, Tree Form
[Tree Icon]	28	Magnolia grandiflora 'Little Gem'	Especially Little Gem Magnolia	4-5' Ht	Especially Form, Container Grown
[Tree Icon]	9	Platanus occidentalis	American Sycamore	3" Caliper	B & B, Specimen, Spacing as shown
[Tree Icon]	2	Ulmus parvifolia 'Bosque'	Bosque Elm	3" Caliper	B & B, Specimen, Spacing as shown

Shrubs

[Shrub Icon]	243	Itea virginica	Virginia Sweetpire	5 Gallon	
[Shrub Icon]	75	Ilex vomitoria 'nana'	Dwarf Yaupon Holly	5 Gallon	Container, 4' O.C.
[Shrub Icon]	195	Ilex comuta 'Burford Nana'	Dwarf Burford Holly	3 Gallon	Container, 4' O.C.
[Shrub Icon]	99	Ilex verticillata	Winterberry	5 Gallon	Container, 3' O.C.
[Shrub Icon]	53	Ilex crenata 'Hoogendorn'	Hoogendorn Holly	5 Gallon	Container, 3' O.C.

Perennials and Groundcovers

[Perennial Icon]	295	Muhlebergia capillaris	Muhly Feathergrass	1 Gallon	Container, 3' O.C.
[Perennial Icon]	145	Pennisetum alopecuroides	Fountain Fountain Grass	1 Gallon	Container, 3' O.C.
[Perennial Icon]	640	Sedum angelina	Angelina Sedum	1 Qt	Container, 18" O.C.
[Perennial Icon]	171	Calamagrostis acutiflora 'Carl Foerster'	Carl Foerster Feather Reed Grass	1 Gallon	Container, 3' O.C.
[Perennial Icon]	109	Rudbeckia fulgida	Black Eyed Susan	1 Gallon	Container, 3' O.C.
[Perennial Icon]	30	Stipa tenuissima 'Ponytails'	Ponytails Feathergrass	1 Gallon	Container, 2' O.C.
[Perennial Icon]	101	Nepeta faassenii 'Dropmore'	Catmint	1 Gallon	Container, 2' O.C.
[Perennial Icon]	65	Yucca 'Color Guard'	Varigated Adams Needle	1 Gallon	Container, 2' O.C.
[Perennial Icon]	49	Tiarella cordifolia 'Brandywine'	Brandywine Foam Flower	1 Gallon	Container, 2' O.C.
[Perennial Icon]	1385	Liriope muscari 'Royal Purple'	Royal Purple Green Liriope	1 Qt	Container, 12" O.C.
[SOD Icon]	0.75ac	Bermuda spp.	Sod		Sod All Disturbed Areas Not Designated As Plant Bed



ARCHITECTURE
INTERIORS
URBAN DESIGN

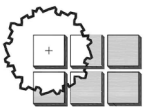
101 west Broad Street
Suite 101B
Richmond, VA 23220
804.788.0880



115 South 15th Street
Suite 200
Richmond, VA 23219
804.343.7100



DANIELS & ASSOCIATES, P.C.
Consulting Engineers
2112 W. Laburnum Avenue
Suite 202
Richmond, VA 23227
804.553.1283



Snead Associates, P.C.
Landscape Architecture
8005 Creighton
Parkway #703
Mechanicsville, VA 23111
804.649.8500

HS ENGINEERING, INC.
CONSULTING ENGINEERS
479 Southlake Boulevard
Richmond, VA 23236
804.594.7210

Kanawha Plaza
East Canal Street
Richmond, Virginia

No. Revision Date Apprd.

Designed by _____ Checked by _____

Issued for _____ Date _____

Demolition Set May 22, 2015

PLANT LIST
FURNISHINGS SCHEDULE

L-2



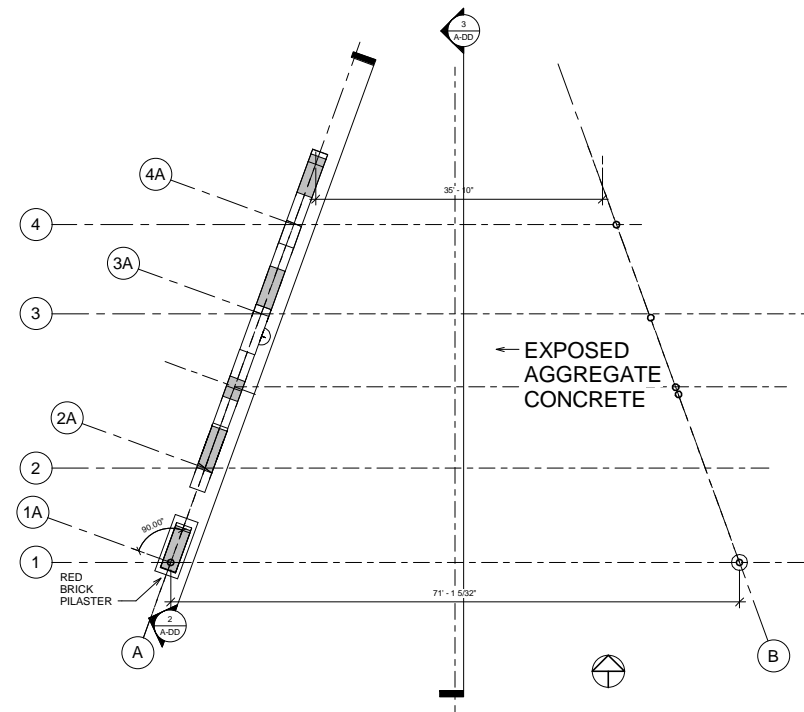
KE_i

ARCHITECTURE
INTERIORS
URBAN DESIGN

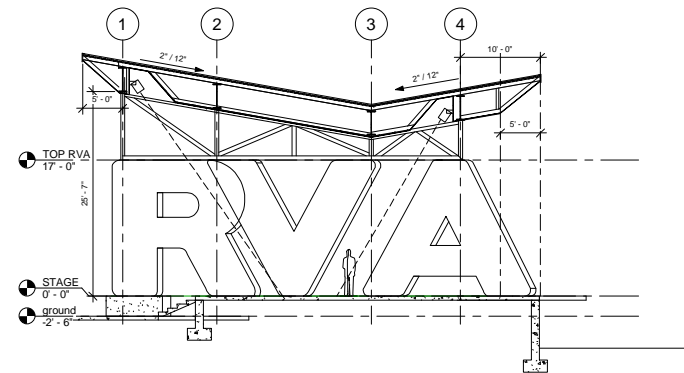
Design Development
for
Kanawha Plaza
Improvements

Date: 05-19-2015
Scale: ----
Designed By: ----
Drawn By: ----
Checked By: ----
Project Number: 1412

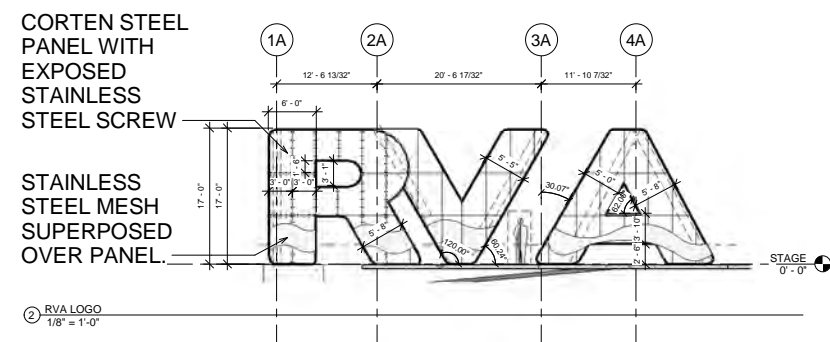
D3



1 STAGE FLOOR PLAN
1/8" = 1'-0"



3 CROSS SECTION
1/8" = 1'-0"



2 RVA LOGO
1/8" = 1'-0"



CANOPY BACK VIEW

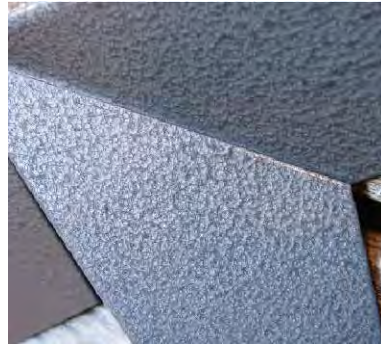


CANOPY FRONT VIEW

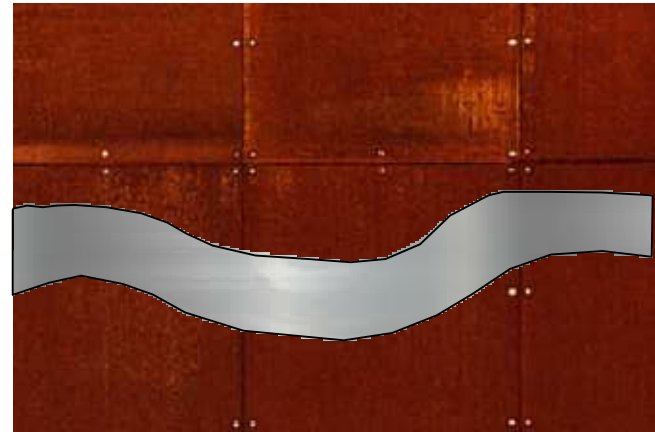




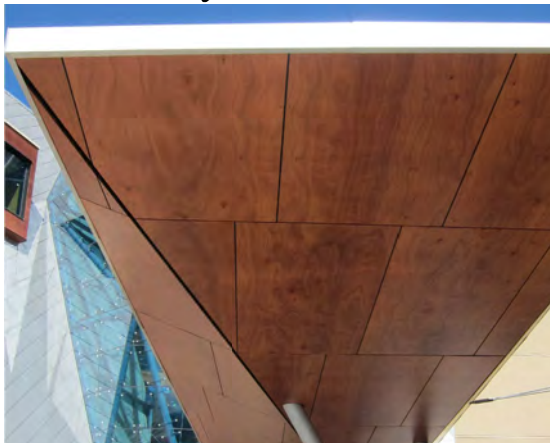
Metal Standing Seam
color: Grey



Metal Paint:
Hammered finish
silver color



RVA Logo: Pre-oxidized panel with
superimposed stainless steel wave.



Canopy Ceiling: Composite
wood veneer panel
coated with synthetic resins
similar to Prodex or Trespa

Stage RVA Logo: The facade is corten steel pre-oxidized. The letters RVA will have stainless steel waves pattern overlay.

Column and Beam: will be tubular steel galvanized and painted with rust inhibitive paint, hammered silver color.

Stage Floor: will be concrete with joints carved like waves and different concrete textures similar to the park pedestrian side walk.

Canopy Materials Selection

KE

ARCHITECTURE
INTERIORS
URBAN DESIGN

Design Development
for
Kanawha Plaza
Improvements

Date: 05-19-2015
Scale: ----
Designed By: ----
Drawn By: ----
Checked By: G.DesRosiers
Project Number: ----

D 2



KE_i

ARCHITECTURE
INTERIORS
URBAN DESIGN

Design Development
for
Kanawha Plaza
Improvements

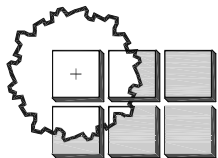
Date: 05-19-2015
Scale: ----
Designed By: ----
Drawn By: ----
Checked By: ----
Project Number: 1412

A2

Fermob / Bistro Table and Chairs
Color: Verveine (Lime Green)



Moveable Tables and Chairs



Snead Associates, P.C.
Landscape Architecture
Land Use Planning
8005 Creighton Pkwy #703
Mechanicsville, VA 23111
804-240-7823
sneadassociates@aol.com

Design Development
for
Kanawha Plaza
Improvements

Date: 05-19-2015
Scale: ----
Designed By: ----
Drawn By: ----
Checked By: C.G. Snead
Project Number: ----

Sheet Number:

C-1

CHAIRS
BISTRO™



5001
CLASSIQUE
 Folding chair



6301
DURAFLO®
 Folding chair



5107
NATUREL
 Folding chair



0101
METAL
 Folding chair



**TECHNICAL
 CHARACTERISTICS**

Steel frame.

CLASSIQUE : lacquered wooden curved slats.

DURAFLO®: High quality resin curved slats.

Available colours: Cotton white and Cedar green.

NATUREL : natural wooden curved slats + Textrol® treatment.

METAL : galvanised steel curved slats.

Plastic part for slower and safer folding.

One piece crossbar. Foot protectors.

Reinforced frame (tested up to 660 Lbs).

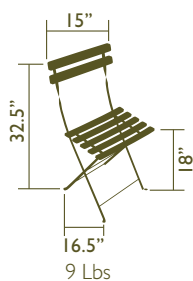
High Protection Treatment for outdoor use.

Anti-UV powder coating.

1-year guarantee

Contract use: Very High Protection
 Treatment recommended.

DIMENSIONS (inch)



RANGE

BISTRO™ METAL



0245
Folding table Ø 24" - H 29"
13 Lbs - 2 persons



0233
Folding table Ø 30" - H 29"
21 Lbs - With parasol hole Ø 1 5/8"
3/4 persons



0235
Folding table Ø 38" - H 29"
26.5 Lbs - With parasol hole Ø 1 5/8"
4/5 persons



0237
Folding table Ø 46" - H 29"
36.5 Lbs - With parasol hole Ø 1 5/8"
6/8 persons



TECHNICAL CHARACTERISTICS

Steel base. Steel sheet table top.

Foot protectors.

High Protection Treatment for outdoor use.

Anti-UV powder coating.

1-year guarantee

Contract use: Very High Protection Treatment recommended.

2014 Color Guide



[ABOUT US](#)

[CONTACT US](#)

[RETURN POLICY](#)

[WHOLESALE / TO THE TRADE](#)

[FERMOB AROUND THE WORLD](#)

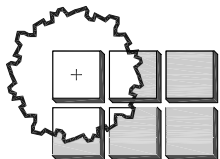
[FERMOB COLOR GUIDE](#)

[CARE AND MAINTENANCE FOR FERMOB FURNITURE](#)

[FERMOB WARRANTY](#)



Metal Drinking Fountain, Wheel Chair Accessible , with Dog Bowl
Willoughby Industries
Model: Wodf-3-CHD-PET Color: Stainless Steel



Snead Associates, P.C.
Landscape Architecture
Land Use Planning
8005 Creighton Pkwy #703
Mechanicsville, VA 23111
804-240-7823
sneadassociates@aol.com

Design Development
for
Kanawha Plaza
Improvements

Date: 05-19-2015
Scale: ----
Designed By: ----
Drawn By: ----
Checked By: C.G. Snead
Project Number: ----

Sheet Number:

C-2



WODF-3 Series Outdoor Drinking Fountain

Standard Features

- * A.D.A. and Child compliant
- * Standard heavy duty type 304 stainless steel 10" sched. 10 main column and 7 ga. flange
- * Optional marine-grade type 316 stainless steel for installations near salt water
- * High polished stainless steel bowl
- * Solid stainless steel, anti-rotation bubbler
- * Serviceable mesh strainer on inlet water supply
- * Heavy-duty main column access panel
- * Resistant to sunlight, heat and vandalism
- * Stainless Steel Adjustable Pushbutton

Recommended Specifications

Model **WODF-3** outdoor drinking fountain is a triple-level, vandal resistant drinking fountain with a 304 stainless steel 10" sched. 10 body column and 7 ga. flange.

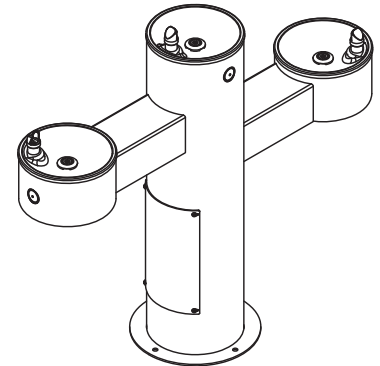
Fountain shall have high-polished, 18 gauge stainless steel bowl with anti-rotation, anti-squirt, solid stainless steel bubblers. Bubblers shall be activated by a pedestal mounted solid stainless steel pushbutton assembly which controls a lead-free, self-closing valve.

Pushbutton operation shall require less than 5 lbs. of force. Adjustable pushbutton used to ensure adequate flow without being wasteful. **WODF-3** fountain shall be lead-free, adhering to ANSI/NSF 61, Section 9, ANSIA117.1 and American Disabilities Act of 2010 requirements.

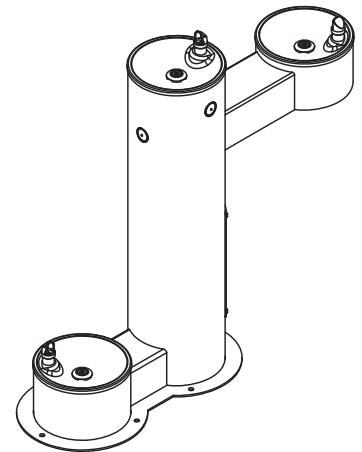
To specify fixture, bowl height, and color, use the Model Number and Options Guide.

Example: To specify a WODF-3 outdoor drinking fountain with adult A.D.A height bowl, pet height bowl, and bare stainless color,

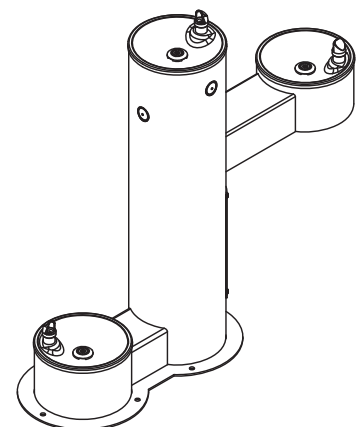
Use the following Willoughby Model Number: WODF-3-HC-PET-S



WODF-3 ADA-CHILD



WODF-3 ADA PET



WODF-3 CHILD-PET



MADE IN THE U.S.A.

visit our website at www.willoughby-ind.com
5105 West 78th Street • Indianapolis, IN 46268
(317) 875-0830 • Fax: (317) 875-0837 • (800) 428-4065

MODEL NUMBER AND OPTIONS:

1.) Outdoor Drinking Fountain Type:

WODF-3 (three-bowl fountain)

2.) Bowl Height (other than main column bowl, select two):

HC Adult A.D.A.

CHD Child

PET Pet

3.) Options:

316-3 316 Stainless Steel Body, Triple

CAR-1 Surface Carrier, Single

CAR-2 Surface Carrier, Double

SOV Shut Off Valve

SCV Seasonal Bowl Cover

FRV-3 Freeze Resistant Valve System, Triple

JF Jug Filler

HBE Hose Bibb Exposed

HBLD Recessed Hose Bibb W/Lock Door

HBLD-SS Recessed Stainless Steel Hose Bibb W/Lock Door

FW Foot Wash

4.) Colors (select one):

S Bare Stainless - Beadblast Finish

G Green

R Red

BL Blue

O Orange

V Violet

Y Yellow

BR Brown

BK Black

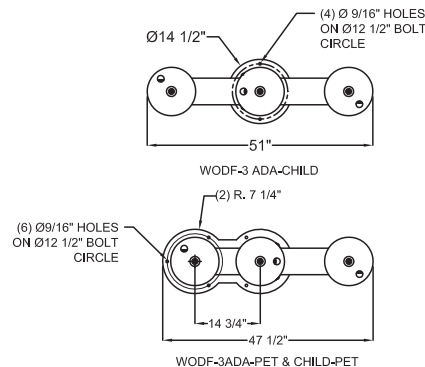
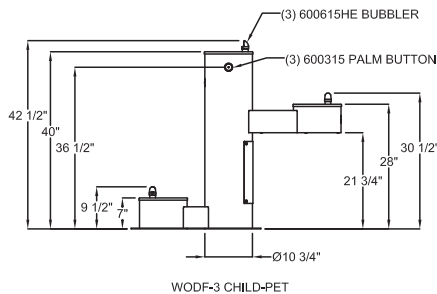
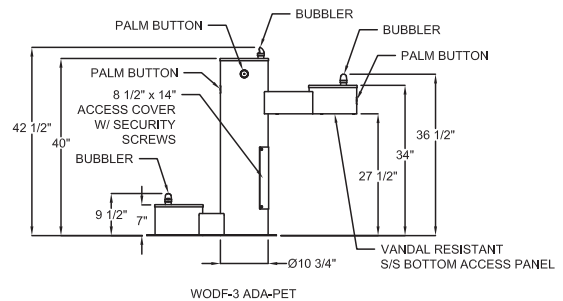
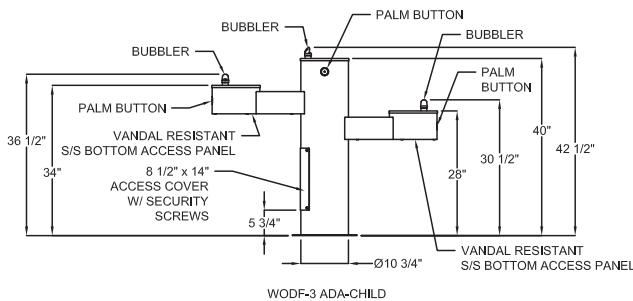
BG Beige

W White

QTY - 1

Approved For Manufacturing By: _____ Date: _____ Company: _____
 Wall Thickness: _____ Wall Type: _____

VERIFY ALL DIMENSIONS WITH FACTORY PRIOR TO ROUGH-IN
 WILLOUGHBY RESERVES THE RIGHT TO MAKE CHANGES IN DESIGN AND DIMENSIONS WITHOUT FORMAL NOTICE AND WITHOUT INCURRING OBLIGATION.



visit our website at www.willoughby-ind.com
 5105 West 78th Street • Indianapolis, IN 46268
 (317) 875-0830 • Fax: (317) 875-0837 • (800) 428-4065



MADE IN THE U.S.A.

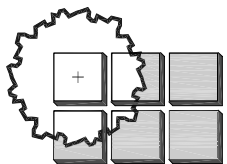


Bollard

Manufactured by: FairWeather FS

Model No. B-8A

Color: Silver



Snead Associates, P.C.

Landscape Architecture
Land Use Planning
8005 Creighton Pkwy #703
Mechanicsville, VA 23111
804-240-7823
sneadassociates@aol.com

Design Development
for
Kanawha Plaza
Improvements

Date: 05-19-2015
Scale: ----
Designed By: ----
Drawn By: ----
Checked By: C.G. Snead
Project Number: ----

Sheet Number:

C-3

SPECIFICATIONS

MATERIAL

The B-8A, 6" bollard shall be fabricated with 5" sch. 10 steel pipe (5.56" OD) with 3 each 5/8" wide reveals and 3/4" squared details top and bottom with a flat top. Steel shall conform to ASTM A53.

The in ground receiver, for **removable bollard only** shall be fabricated with 4-1/2" OD steel sleeve welded to a 3" x 5" lockwell.

PROTECTIVE COATINGS

Powder Coating: Following fabrication bollards shall be cleaned and treated with an iron phosphate process prior to the coating application. The protective coatings shall be either polyester or polyester TGIC powder. Following application the parts shall be baked until properly cured. The coating shall be a minimum of 4 mils thick on all surfaces.

Options for finish: Corrosion resistant undercoat, strongly recommended

Hot Dip Galvanizing on Receivers: Following fabrication, the receivers shall be hot dip galvanized to standard ASTM A123, 3 to 4 mils thick.

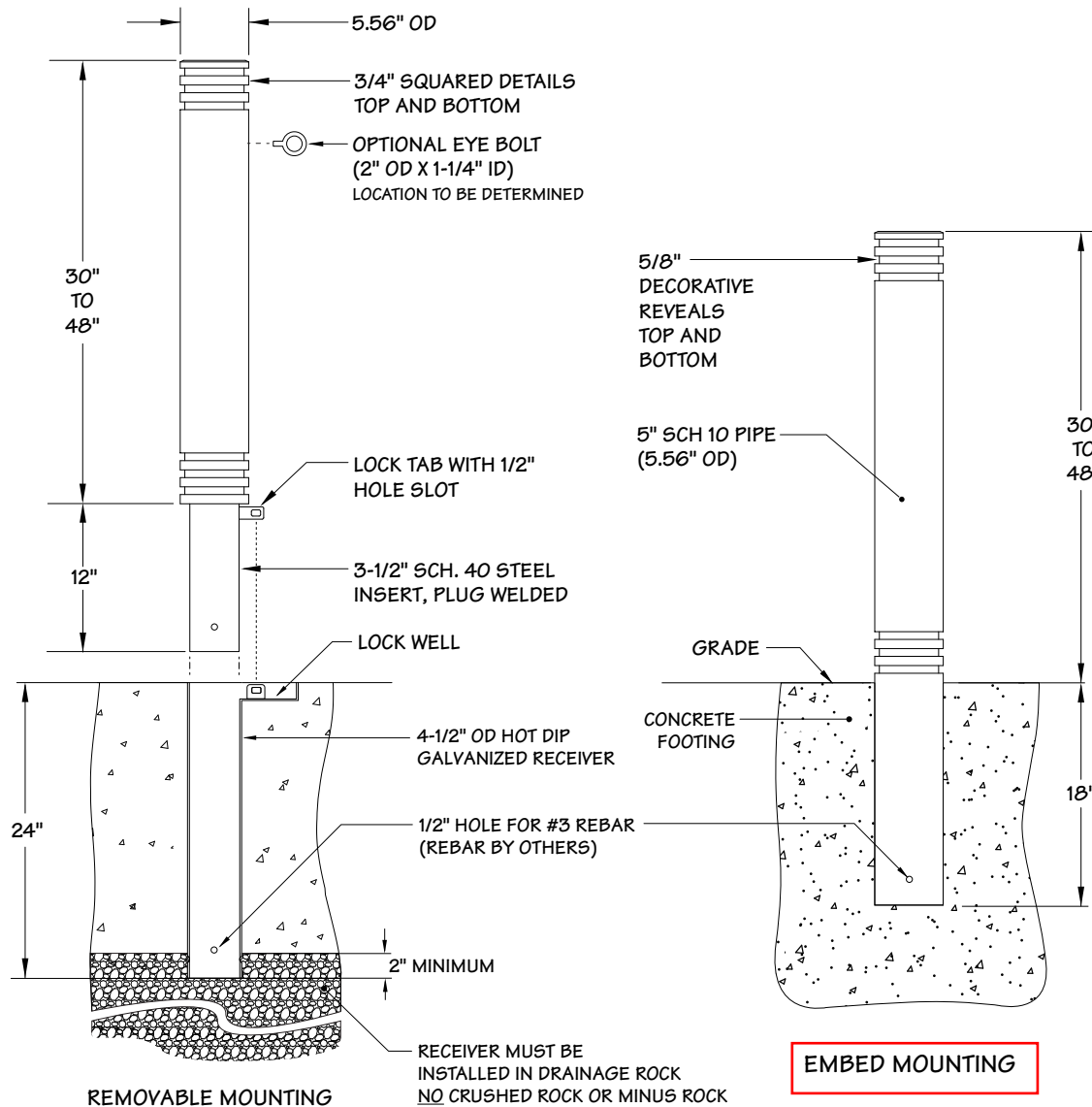
Note: Unless otherwise specified, bollards shall be powder coated a standard FairWeather color.

Options: Sch 40 or Sch 80 pipe, eye bolts
On removable bollards: receiver cover, lock well cover and padlock.

Mounting: Surface, removable or embed

NOTE:

- Depth and diameter of installation hole may vary with soil conditions. Consult project engineer for correct dimensions.
- REMOVABLE BOLLARDS ONLY: Receiver must be installed in drainage rock. No crushed or minus rock**
Due to soil conditions the amount of drainage needed could vary from as little as 8 inches to 2 feet or more.
Improper installation will void the warranty



REV 01-31-13

Model B-8A, 6" Bollards

FairWeather Site Furnishings

360-895-2626 or Toll Free 800-323-1798

Port Orchard, Washington

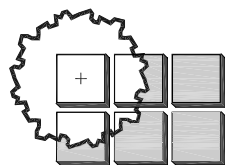
©1999-2013 Leader International Corporation, FairWeather Site Furnishings division
Notice: These products are proprietary. Numerous designs are patented or patent pending under Leader Manufacturing, Inc.



Bike Rack

Creative Pipe, Inc.
Model No. HS-2-F-SS

(This is an Approved City of Richmond Standard Bike Rack)



Snead Associates, P.C.
Landscape Architecture
Land Use Planning
8005 Creighton Pkwy #703
Mechanicsville, VA 23111
804-240-7823
sneadassociates@aol.com

Design Development
for
Kanawha Plaza
Improvements

Date: 05-19-2015
Scale: ----
Designed By: ----
Drawn By: ----
Checked By: C.G. Snead
Project Number: ----

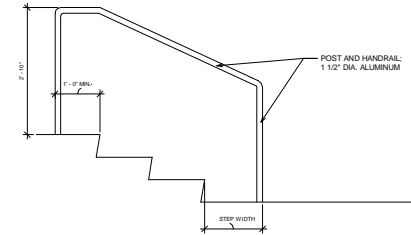
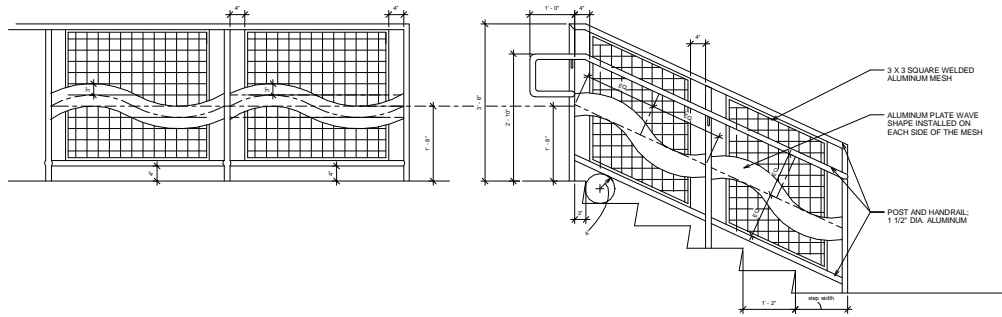
Sheet Number:

C-4

GUARDRAIL AT ALL LOCATIONS WITH DIFFERENCE IN LEVEL HIGHER THAN 30" WITH ADJACENT GROUND.

HANDRAIL WITH GUARDRAIL AT ALL LOCATIONS WITH DIFFERENCE IN LEVEL HIGHER THAN 30" WITH ADJACENT GROUND

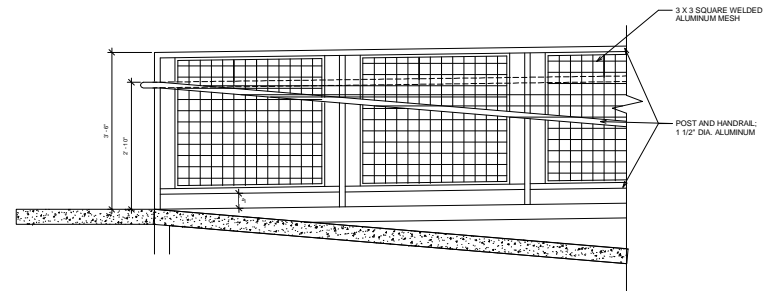
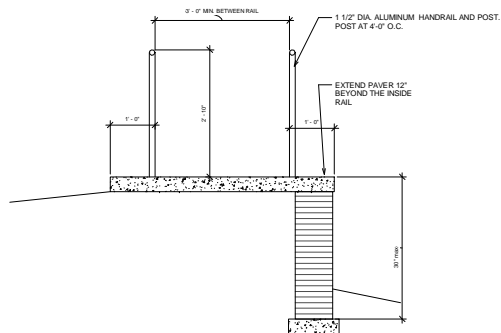
HANDRAIL FOR STAIR THAT HAS ADJACENT LEVEL LESS THAN 30" DIFFERENCE.



① GUARDRAIL AND STAIR RAIL
1" = 1'-0"

HANDRAIL FOR RAMPS LOCATED WHERE THE ADJACENT LEVEL IS LESS THAN 30"

AT INTERMEDIATE GUARDRAIL FOR STAGE RAMP AND BEHIND RVA LOGO



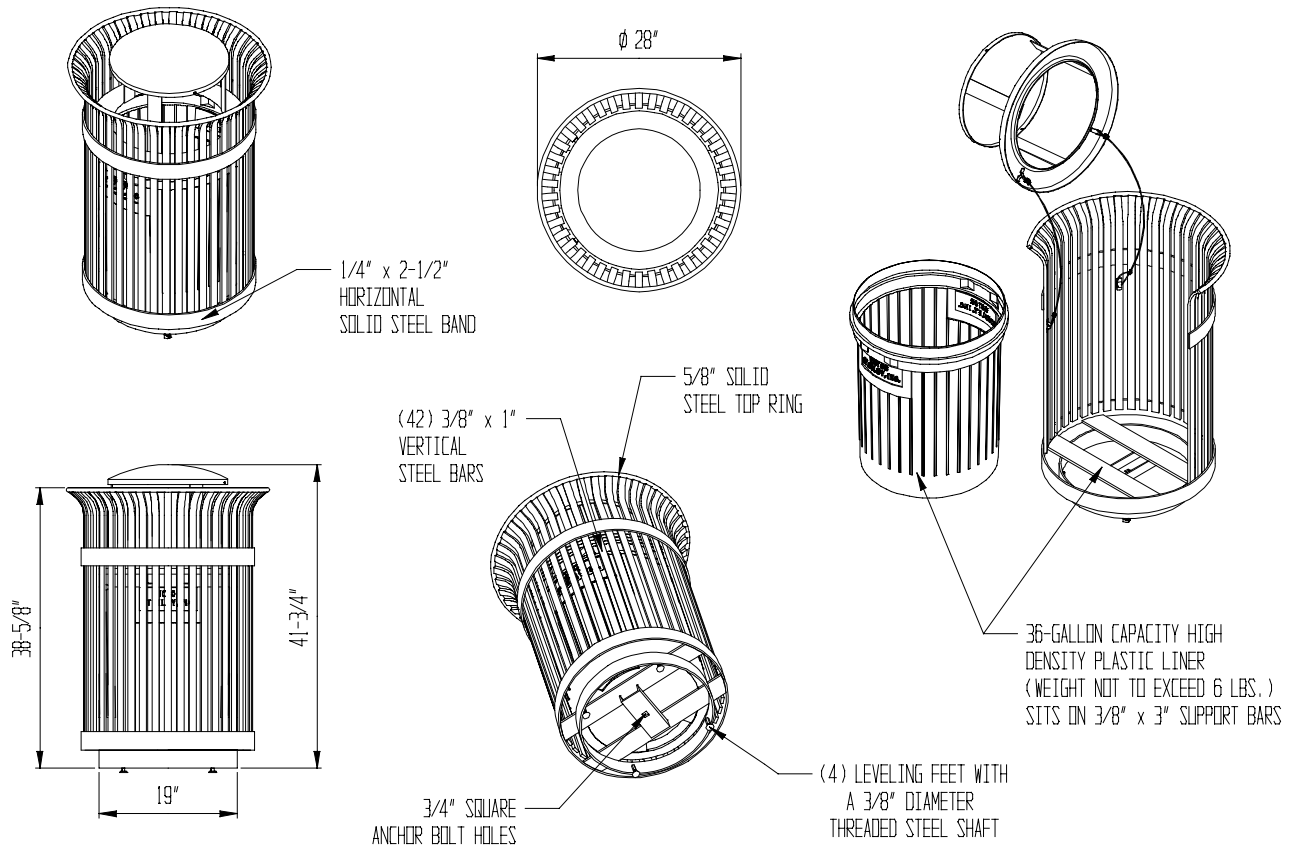
② RAMP RAIL
1" = 1'-0"





VICTOR STANLEY, INC.
-Manufacturers of Quality Site Furnishings since 1962-

P.O. DRAWER 330 - DUNKIRK, MD 20754 USA
 TOLL FREE: (800) 368-2573 (USA & CANADA)
 TEL (301) 855-8300 - FAX (410) 257-7579
 WEB SITE: HTTP://WWW.VICTORSTANLEY.COM



AVAILABLE OPTIONS:

- POWDER COATING
 - 10 STANDARD COLORS, CUSTOM COLORS (INCLUDING THE RAL RANGE).
- CUSTOM PLAQUES & DECALS
 - AVAILABLE WITH STEEL PLAQUES IN VARIOUS SIZES AND PRESSURE SENSITIVE VINYL OUTDOOR DECALS.

LIDS

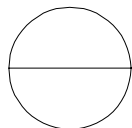
STANDARD TAPERED FORMED LID. AVAILABLE WITH OPTIONAL S-2 FORMED DOME (AS SHOWN), S-2 FORMED DOME WITH STAINLESS STEEL ASHTRAY, AND DS-32 FORMED DOME WITH SELF-CLOSING DOOR.

SECURITY

LID IS SECURED WITH VINYL COATED GALVANIZED STEEL AIRCRAFT CABLE. CABLE IS LOOPED AROUND WELDED IN PLACE ATTACHMENT BRACKETS AND CRIMPED IN PLACE. AVAILABLE WITH OPTIONAL MOUNT WITH 3 IN-LINE ANCHOR HOLES AND OPTIONAL BOTTOM PLATE COVER.

NOTES:

1. DRAWINGS NOT TO SCALE. DO NOT SCALE DRAWINGS.
2. ALL FABRICATED METAL COMPONENTS ARE STEEL SHOTBLASTED, ETCHED, PHOSPHATIZED, PREHEATED, AND ELECTROSTATICALLY POWDER-COATED WITH T.G.I.C. POLYESTER POWDER COATINGS. PRODUCTS ARE FULLY CLEANED AND PRETREATED, PREHEATED AND COATED WHILE HOT TO FILL CREVICES AND BUILD FILM COATING. COATED PARTS ARE THEN FULLY CURED TO COATING MANUFACTURER'S SPECIFICATIONS. THE THICKNESS OF THE RESULTING FINISH AVERAGES 8-10 MILS (200-250 MICRONS).
3. THIS VICTOR STANLEY, INC. PRODUCT MUST BE PERMANENTLY AFFIXED TO THE GROUND. CONSULT YOUR LOCAL CODES FOR REGULATIONS.
4. VICTOR STANLEY, INC., PLASTIC INNER LINERS ARE MOLDED ON TOOLING DESIGNED FOR AND OWNED BY VICTOR STANLEY, INC. THEY OFFER MAXIMUM CAPACITY AND STRENGTH WITH LIGHTWEIGHT CONSTRUCTION USING CRITICAL MOLDED RIBS, INTEGRAL HANDHOLDS, AND HIGH-STRENGTH MATERIALS. THIS MINIMIZES HANDLING DIFFICULTY AND FACILITATES EASY EMPTYING AND STORAGE WHILE AFFORDING LONG SERVICE LIFE.
5. ANCHOR BOLT NOT PROVIDED BY VICTOR STANLEY, INC.
6. FOR HIGH SALT ABRUSIVE CLIMATES, HOT DIP GALVANIZING BEFORE POWDER COATING IS AVAILABLE. SEE WRITTEN SPECIFICATIONS FOR DETAILS.
7. ALL SPECIFICATIONS ARE SUBJECT TO CHANGE. CONTACT MANUFACTURER FOR DETAILS.
8. THIS PRODUCT IS SHIPPED FULLY ASSEMBLED.

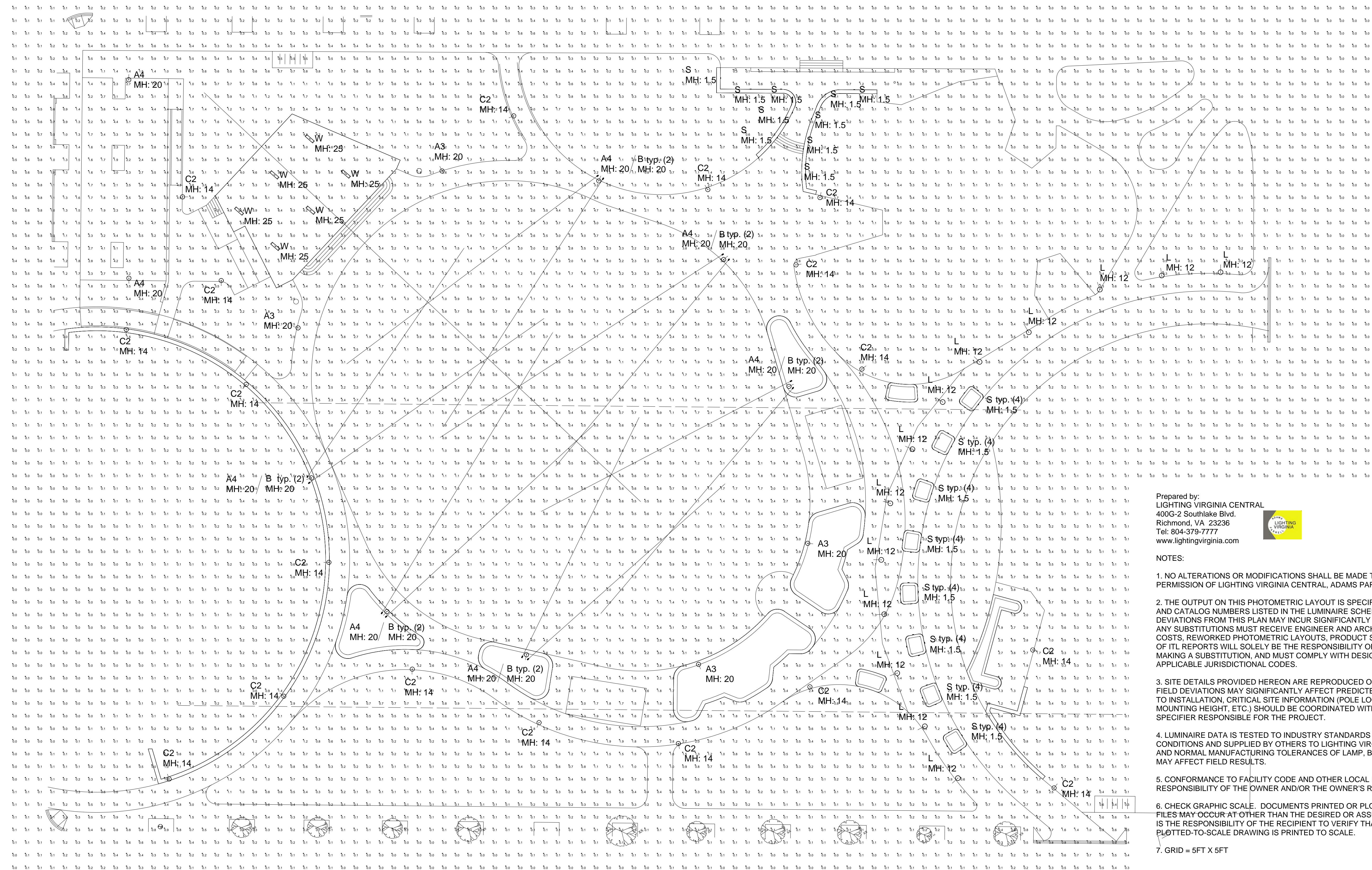


S-42

IRONSITES® SERIES

36-GALLON LITTER RECEPTACLE
 SHOWN: OPTIONAL S-2 FORMED DOME LID

Color - Silver
QTY - 13



Prepared by:
LIGHTING VIRGINIA CENTRAL
400G-2 Southlake Blvd.
Richmond, VA 23236
Tel: 804-379-7777
www.lightingvirginia.com



- NOTES:
- NO ALTERATIONS OR MODIFICATIONS SHALL BE MADE TO THIS PLAN WITHOUT THE PERMISSION OF LIGHTING VIRGINIA CENTRAL, ADAMS PARNELL, LLC.
 - THE OUTPUT ON THIS PHOTOMETRIC LAYOUT IS SPECIFIC TO THE MANUFACTURER AND CATALOG NUMBERS LISTED IN THE LUMINAIRE SCHEDULE. SUBSTITUTIONS OF DEVIATIONS FROM THIS PLAN MAY INCUR SIGNIFICANTLY DIFFERENT RESULTS. ANY SUBSTITUTIONS MUST RECEIVE ENGINEER AND ARCHITECT APPROVAL. REVISED COSTS, REWORKED PHOTOMETRIC LAYOUTS, PRODUCT SUBMITTALS AND A FULL SET OF ILLUMINATION REPORTS WILL SOLELY BE THE RESPONSIBILITY OF ANY CONTRACTING FIRM MAKING A SUBSTITUTION, AND MUST COMPLY WITH DESIGN CRITERIA AND WITH APPLICABLE JURISDICTIONAL CODES.
 - SITE DETAILS PROVIDED HEREON ARE REPRODUCED ONLY AS A VISUALIZATION FIELD DEVIATIONS MAY SIGNIFICANTLY AFFECT PREDICTED PERFORMANCE. PRIOR TO INSTALLATION, CRITICAL SITE INFORMATION (POLE LOCATIONS, ORIENTATION, MOUNTING HEIGHT, ETC.) SHOULD BE COORDINATED WITH THE CONTRACTOR AND SPECIFIER RESPONSIBLE FOR THE PROJECT.
 - LUMINAIRE DATA IS TESTED TO INDUSTRY STANDARDS UNDER LABORATORY CONDITIONS AND SUPPLIED BY OTHERS TO LIGHTING VIRGINIA. OPERATING VOLT/ AND NORMAL MANUFACTURING TOLERANCES OF LAMP, BALLAST, AND LUMINAIRE MAY AFFECT FIELD RESULTS.
 - CONFORMANCE TO FACILITY CODE AND OTHER LOCAL REQUIREMENTS IS THE RESPONSIBILITY OF THE OWNER AND/OR THE OWNER'S REPRESENTATIVE.
 - CHECK GRAPHIC SCALE. DOCUMENTS PRINTED OR PLOTTED FROM ELECTRONIC FILES MAY OCCUR AT OTHER THAN THE DESIRED OR ASSUMED GRAPHIC SCALES. IS THE RESPONSIBILITY OF THE RECIPIENT TO VERIFY THAT THE PRINTED OR PLOTTED TO-SCALE DRAWING IS PRINTED TO SCALE.
 - GRID = 5FT X 5FT

Symbol	Qty	Label	Total Lamp Lumens	LLF	[MANUFAC]	Description	Lum. Watts	Lum. Lumens
⊕	4	A3	N.A.	0.900	KIM LIGHTING	RA253E35-120L3K	126	7429
⊕	8	A4	N.A.	0.900	KIM LIGHTING	RA254E35-120L3K	125.1	7402
⊕	12	B	1800	0.900	ERCO GmbH	34124023_V07	22	1415
⊕	18	C2	N.A.	0.900	KIM LIGHTING	RA172E35-60L3K	63.2	3959
⊕	13	L	14000	0.750	SCHREDER	Boreal 150 MH dichroic	188	1038
⊕	42	S	N.A.	0.900	C.W. Cole & Co., Inc.	L606	4.44	74
⊕	6	W	N.A.	0.950	BEGHELLI	BS100LED4HT50WW41 120-277	46.253	4416

Calculation Summary						
Label	CalcType	Units	Avg	Max	Min	Avg/Min
Site to Zero	Illuminance	Fc	0.96	7.7	0.0	N.A.

MH = mounting height in feet
ALLOW FOR THE FOLLOWING TREE UPLIGHTS (NOT SHOWN FOR CALCULATIONS):
QTY: 110
MANUFACTURER: VISION 3 LIGHTING
DESCRIPTION: IG3B-XX-LED118-0-0-0 /REMOTE POWER SUPPLIES AS NEEDED

#	Date	Comments

Revisions	

Drawn By: Diana Ades
Checked By:
Date: 5/27/2015
Scale: As noted



Transmittal

Lighting Virginia-Central
 400 G2 Southlake Blvd.
 Richmond VA 23236
 Phone: (804) 379-7777
From: Diana Ades

Project Kanawha Plaza
Quote# LV - CENTRAL15-17875
Location Richmond VA
 Contact:

ATTACHED WE ARE SENDING YOU 1 COPIES OF THE FOLLOWING ITEMS:

- | | | |
|-----------------------------------|--|--------|
| <input type="checkbox"/> Drawings | <input checked="" type="checkbox"/> Specifications | Other: |
| <input type="checkbox"/> Prints | <input type="checkbox"/> Information | |
| <input type="checkbox"/> Plans | <input type="checkbox"/> Submittals | |

THESE ARE TRANSMITTED FOR:

- | | | |
|--|---|---------------------------------|
| <input type="checkbox"/> Prior Approval | <input type="checkbox"/> Resubmittal for Approval | <input type="checkbox"/> Record |
| <input type="checkbox"/> Approval | <input type="checkbox"/> Corrections | Bids due on: |
| <input type="checkbox"/> Approval as Submitted | <input checked="" type="checkbox"/> Your Use | Other: |
| <input type="checkbox"/> Approval as Noted | <input type="checkbox"/> Review and Comment | |

Qty	Type	MFG	Part
4	A3	Kim Lighting	1A-RA25-3-E35-120L-3K-X-PS-LS/ HA11L-TM1
8	A4	Kim Lighting	1A-RA25-4-E35-120L-3K-X-PS-LS/ HA11L-TM1
12	B	ERCO	34124.023 / POLE BRACKET
12	A POLE	American Lite Pole	RNA-20-45-7-AB-PC(PS)-T20R
18	C2	Kim Lighting	1SA-RA17-2-E35-60L-3K-X-PS-LS/ HA11S-TM1
18	C POLE	American Lite Pole	RNA-14-45-7-AB-PC(PS)-T20R
13	L	Misc. Vendor	SCHREDER BOR-LHP3200-MT-XX- XXX-RAL(SILVER)/A114-1-59
13	L POLE	American Lite Pole	RNA-12-45-7-AB-PC(PS)-T20R
42	S	C W COLE & COMPANY, INC.	L606W-AL
110	T	Vision3 Lighting	IG3B-XX-118-0-0-0
10	T XFMR	Vision3 Lighting	XM2-XXX-120-X
6	W	Beghelli USA, Inc.	BS100LED-HT-50W-WT41-XXXV-JM-SS

Submitted by Lighting Virginia-Central



Job Name:
Kanawha Plaza

Catalog Number:

1A-RA25-3-E35-120L-3K-X-PS-LS/
HA11L-TM1

Notes:

Type:

A3

LV - CENTRAL15-17875



RA
SERIES

Era[®]

Heritage Style Luminaire



PLATINUM
SILVER FINISH



KIM LIGHTING



Job Name:
Kanawha Plaza

Catalog Number:

1A-RA25-3-E35-120L-3K-X-PS-LS/
HA11L-TM1

Notes:

Type:

A3

LV - CENTRAL15-17875



KIM LIGHTING

RA25

25" Era[®] PicoEmitter[™] LED

revision 9/10/14 • kl_ra25eled_spec.pdf

Type:

Job:

Catalog number:

/ / / / /
 Mtg Fixture Electrical Module Finish Options Pole & Arm*
 See page 2 See page 3

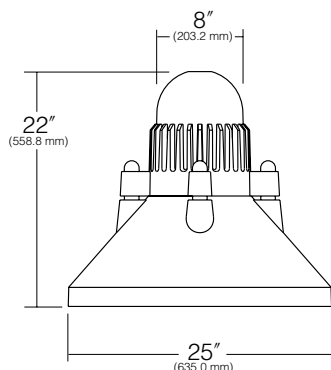
*Select pole and arm from Kim **Arms and Poles Selection Guide**. If pole is provided by others, indicate O.D. for arm fitting. Arm Options are also shown on page 4.

Approvals:

Date:
Page: 1 of 6

Specifications

25" Diameter
120 Light Emitting Diodes
Total System Watts = 126W



The Ballast Housing is a one-piece die-cast, low copper (<0.6% Cu) aluminum alloy component with integral cooling fins. The Reflector Housing is one-piece die-cast, low copper (<0.6% Cu) aluminum alloy. The Ballast Housing attaches to the Reflector Housing with stainless steel fasteners and is sealed with a silicone gasket.

One-piece die-cast, low copper (<0.6% Cu) aluminum alloy. Stainless steel hinges provided for attachment to the Reflector Housing. Stainless steel threaded fasteners provide easy access, concealed from normal view. The 3/16" thick clear flat lens seals against the reflector flange by a one-piece extruded silicone gasket with fused seam, to produce a fully sealed optical chamber.

Stainless steel bolts are provided to attach the luminaire to the crook arm or swept arm mounting.

All electrical components are UL and CSA recognized, mounted on a single plate and factory prewired with quick-disconnect plugs. Module includes a driver, LifeShield[™] temperature control device and surge protector. Electrical module attaches to housing with key hole slots, accessible by opening the lens frame and removing optical module. Driver is rated for -40°F starting and has a 0-10V dimming interface for multi-level illumination options.

Precision, replaceable PicoEmitters are positioned to achieve directional control toward desired task. The entire EmitterDeck[®] fastens to the housing as a one-piece module.

TGIC thermoset polyester powder coat paint, 2.5 mil nominal thickness. Standard colors are Black, Dark Bronze, Light Gray, Stealth Gray[™], Platinum Silver, or White. Custom colors are available.

Listed To: UL 1598 Standard for Luminaires - UL 8750 Standard for Safety for Light Emitting Diode (LED) Equipment for use in Lighting Products and CSA C22.2#250.0 Luminaires.

Kim Lighting warrants Era LED products ("Product(s)") sold by Kim Lighting to be free from defects in material and workmanship for (i) a period of five (5) years for metal parts, (ii) a period of ten (10) years for exterior housing paint finish(s), (iii) a period of six (6) years for LED Light Engines (PicoEmitter reflectors) and, (iv) a period of five (5) years for LED power components (LED Driver, LifeShield[®] temperature control device, surge protector), from the date of sale of such goods to the buyer as specified in Kim Lighting shipment documents for each product.

Fixtures must be grounded in accordance with national, state and/or local electrical codes. Failure to do so may result in serious injury.



HUBBELL LIGHTING, INC.

U.S. Patent D430,687

KIM LIGHTING RESERVES THE RIGHT TO CHANGE SPECIFICATIONS WITHOUT NOTICE.



Job Name:
Kanawha Plaza

Catalog Number:

1A-RA25-3-E35-120L-3K-X-PS-LS/
HA11L-TM1

Notes:

Type:

A3

LV - CENTRAL15-17875



KIM LIGHTING

RA25

25" Era® PicoEmitter™ LED

revision 9/10/14 • kl_ra25eled_spec.pdf

Type:

Job:

Page: 2 of 6



Standard Features

Mounting

Plan View:



EPA 25":

1.5

3.0

4.5

5.2

N/A

Cat. No.:

1A

2B

3Y

4C

1W

NOTE: 1A, 2B, 3Y and 4C mounting arms are part of the Pole Assembly. **1W** Wall Mount arm is **not** included and must be ordered separately. See page 4 for styles and ordering information.

Fixture

Cat. No. designates fixture and optic



x

Distribution:

1 = Type I Full Cutoff

2 = Type II Full Cutoff

3 = Type III Full Cutoff

4 = Type IV Full Cutoff

5 = Type V Square Full Cutoff

L = Type L Left Full Cutoff

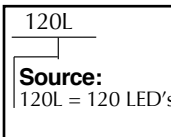
R = Type R Right Full Cutoff

E35

E35 = 350mA

Electrical Module

Cat. Nos. for Electrical Modules available:



xK

Color Temperature:

3K = 3000K

4K = 4200K

5K = 5100K

2K = 580nm - Amber

x

Voltage:

120 = 120V

208 = 208V

240 = 240V

277 = 277V

347 = 347V

480 = 480V

SELECT VOLTAGE

Finish

TGIC powder coat

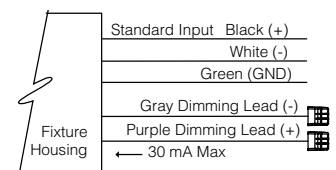
Color: Black Dark Bronze Light Gray Stealth Gray Platinum Silver White Custom Color¹

Cat. No.: **BL** **DB** **LG** **SG** **PS** **WH** **CC**

¹Custom colors subject to additional charges, minimum quantities and extended lead times. Consult representative. Custom color description: _____

0-10V Dimming Interface

Driver has a 0-10V dimming interface with a dimming range of 10-100%. Is compatible with most control systems including Hubbell Building Automation systems including Hubbell Building Automation wiHUBB™. Approved dimmers include Lutron Diva AVTV, Lutron Nova NFTV and NTFTV. Note: Not compatible with current sourcing dimmers. Controls compatible via Gray and Purple dimming lead.





Job Name:
Kanawha Plaza

Catalog Number:

1A-RA25-3-E35-120L-3K-X-PS-LS/
HA11L-TM1

Notes:

Type:

A3

LV - CENTRAL15-17875



KIM LIGHTING

RA25

25" Era[®] PicoEmitter[™] LED

revision 9/10/14 • kl_ra25eled_spec.pdf

Type:

Job:

Page: 5 of 6



Arm Options

Arms **Note:** Wall mount arm is **not** included and must be ordered separately. Refer to Kim Lighting's Arms and Poles Selection Guide for complete details.

Mtg.	Post Top Crook			Side Pole Crook			Post Top Swept Cast Arm		
	Arm	Tenon Mt.	Wall Mt.	Arm	Tenon Mt.	Wall Mt.	Arm	Tenon Mt.	Wall Mt.
1A	<input type="checkbox"/> HA01L	<input type="checkbox"/> HA01L-TM1	—	<input type="checkbox"/> HA02L	<input type="checkbox"/> HA02L-TM1	<input type="checkbox"/> HA02S-W	<input type="checkbox"/> HA03L	<input type="checkbox"/> HA03L-TM1	—
2B	—	—	—	—	<input type="checkbox"/> HA02L-TM2	—	—	<input type="checkbox"/> HA03L-TM2	—
3Y	—	—	—	—	<input type="checkbox"/> HA02L-TM3	—	—	<input type="checkbox"/> HA03L-TM3	—
4C	—	—	—	—	<input type="checkbox"/> HA02L-TM4	—	—	<input type="checkbox"/> HA03L-TM4	—

Mtg.	Side Pole Swept Cast Arm			Side Pole S-Shaped Up Cast Arm		
	Arm	Tenon Mt.	Wall Mt.	Arm	Tenon Mt.	Wall Mt.
1A	<input type="checkbox"/> HA11L	<input type="checkbox"/> HA11L-TM1	<input type="checkbox"/> HA11L-W	<input type="checkbox"/> HA12L	<input type="checkbox"/> HA12L-TM1	<input type="checkbox"/> HA12L-W
2B	—	<input type="checkbox"/> HA11L-TM2	—	—	<input type="checkbox"/> HA12L-TM2	—
3Y	—	<input type="checkbox"/> HA11L-TM3	—	—	<input type="checkbox"/> HA12L-TM3	—
4C	—	<input type="checkbox"/> HA11L-TM4	—	—	<input type="checkbox"/> HA12L-TM4	—

Mtg.	Side Pole Neo-Classic Arm			Side Pole Arm w/Top Scroll			Side Pole Ribbon Arm w/Top Gusset		
	Arm	Tenon Mt.	Wall Mt.	Arm	Tenon Mt.	Wall Mt.	Arm	Tenon Mt.	Wall Mt.
1A	<input type="checkbox"/> HA14L	<input type="checkbox"/> HA14L-TM1	<input type="checkbox"/> HA14L-W	<input type="checkbox"/> HA31L	<input type="checkbox"/> HA31L-TM1	<input type="checkbox"/> HA31L-W	<input type="checkbox"/> HA33L	<input type="checkbox"/> HA33L-TM1	<input type="checkbox"/> HA33L-W
2B	—	<input type="checkbox"/> HA14L-TM2	—	—	<input type="checkbox"/> HA31L-TM2	—	—	<input type="checkbox"/> HA33L-TM2	—
3Y	—	<input type="checkbox"/> HA14L-TM3	—	—	<input type="checkbox"/> HA31L-TM3	—	—	<input type="checkbox"/> HA33L-TM3	—
4C	—	<input type="checkbox"/> HA14L-TM4	—	—	<input type="checkbox"/> HA31L-TM4	—	—	<input type="checkbox"/> HA33L-TM4	—

Mtg.	Side Pole Ribbon Arm w/Top Brace			Side Pole Ribbon Arm w/Top Brace & Bottom Scroll			Side Pole Ribbon Arm w/Top Brace & Bottom Gusset		
	Arm	Tenon Mt.	Wall Mt.	Arm	Tenon Mt.	Wall Mt.	Arm	Tenon Mt.	Wall Mt.
1A	<input type="checkbox"/> HA35L	<input type="checkbox"/> HA35L-TM	<input type="checkbox"/> HA35L-W	<input type="checkbox"/> HA37L	<input type="checkbox"/> HA37L-TM	<input type="checkbox"/> HA37L-W	<input type="checkbox"/> HA38L	<input type="checkbox"/> HA38L-TM	<input type="checkbox"/> HA38L-W
		Consult factory for other mtgs.	Consult factory for other mtgs.		Consult Factory for other mtgs	Consult Factory for other mtgs		Consult Factory for other mtgs	Consult Factory for other mtgs

Arm Finial:

HAF2 - Traditional style finial available to close off mounting hub opposite the fixture.

¹Not available on arm where indicated.





Job Name:
Kanawha Plaza

Catalog Number:

1A-RA25-3-E35-120L-3K-X-PS-LS/
HA11L-TM1

Notes:

Type:

A3

LV - CENTRAL15-17875



KIM LIGHTING

RA25

25" Era[®] PicoEmitter[™] LED
revision 9/10/14 • kl_ra25eled_spec.pdf

Type:

Job:

Page: 6 of 6



Lumen Performance Charts

Spectroradiometric			
	3000K Average	4200K Average	5100K Average
Correlated Color Temp. CCT (K)	2800K-3175K	3800K-4600K	4600K-5600K
Color Rendering Index (CRI)	≤80	≤80	≤70
Power Factor	>.90	>.90	>.90

Projected Lumen Maintenance		
mA	100,000 hrs	(Calculated L70)
350	93.96%	675,000 Hrs.

Electrical Drive Current		
Volts - AC	Amps - AC	System Watts
120	1.05	126
208	0.61	126
240	0.53	126
277	0.45	126
347	0.36	126
480	0.26	126

B.U.G. Rating (TM15) in Lumens when B = Backlight, U = Uplight, G = Glare								
Temperature	TYPE 1	TYPE 2	TYPE 3	TYPE 3 NFO	TYPE 4	TYPE 4 NFO	TYPE 5	TYPE L/R
3000K	TBD	B2 U0 G2	B2 U0 G2	B1 U0 G2	B1 U0 G2	B1 U0 G2	B3 U0 G1	TBD
4200K	TBD	B3 U0 G3	B2 U0 G2	B2 U0 G2	B1 U0 G2	B1 U0 G2	B3 U0 G2	TBD
5100K	TBD	B3 U0 G3	B2 U0 G2	B2 U0 G2	B1 U0 G2	B1 U0 G2	B3 U0 G2	TBD

Absolute Lumens								
Temperature	TYPE 1	TYPE 2	TYPE 3	TYPE 3 NFO	TYPE 4	TYPE 4 NFO	TYPE 5	TYPE L/R
3000K	TBD	8181	7999	6556	7970	6670	8438	TBD
4200K	TBD	10298	10070	8253	10034	8397	10622	TBD
5100K	TBD	11296	11046	9053	11006	9210	11651	TBD

LED performance and lumen output continues to improve at a rapid pace. Log onto www.kimlighting.com to download the most current photometric files from Kim Lighting's IES File Library. For custom optics and color temperature configurations, contact factory.

Submitted by Lighting Virginia-Central



Job Name:
Kanawha Plaza

Catalog Number:
1A-RA25-4-E35-120L-3K-X-PS-LS/
HA11L-TM1
Notes:

Type:
A4
LV - CENTRAL15-17875



Era[®]

Heritage Style Luminaire



PLATINUM
SILVER FINISH





Job Name:
Kanawha Plaza

Catalog Number:

1A-RA25-4-E35-120L-3K-X-PS-LS/
HA11L-TM1

Notes:

Type:

A4

LV - CENTRAL15-17875



KIM LIGHTING

RA25

25" Era[®] PicoEmitter[™] LED

revision 9/10/14 • kl_ra25eled_spec.pdf

Type:

Job:

Catalog number:

/ / / / /
 Mtg Fixture Electrical Module Finish Options
 See page 2 See page 3 Pole & Arm*

*Select pole and arm from Kim **Arms and Poles Selection Guide**. If pole is provided by others, indicate O.D. for arm fitting. Arm Options are also shown on page 4.

Approvals:

Date:

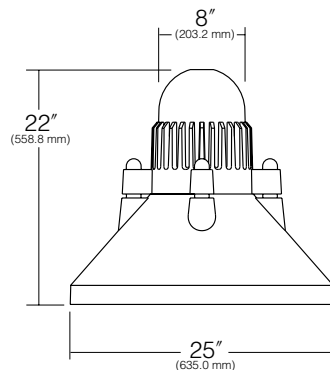
Page: 1 of 6

Specifications

25" Diameter

120 Light Emitting Diodes

Total System Watts = 126W



The Ballast Housing is a one-piece die-cast, low copper (<0.6% Cu) aluminum alloy component with integral cooling fins. The Reflector Housing is one-piece die-cast, low copper (<0.6% Cu) aluminum alloy. The Ballast Housing attaches to the Reflector Housing with stainless steel fasteners and is sealed with a silicone gasket.

One-piece die-cast, low copper (<0.6% Cu) aluminum alloy. Stainless steel hinges provided for attachment to the Reflector Housing. Stainless steel threaded fasteners provide easy access, concealed from normal view. The 3/16" thick clear flat lens seals against the reflector flange by a one-piece extruded silicone gasket with fused seam, to produce a fully sealed optical chamber.

Stainless steel bolts are provided to attach the luminaire to the crook arm or swept arm mounting.

All electrical components are UL and CSA recognized, mounted on a single plate and factory prewired with quick-disconnect plugs. Module includes a driver, LifeShield[™] temperature control device and surge protector. Electrical module attaches to housing with key hole slots, accessible by opening the lens frame and removing optical module. Driver is rated for -40°F starting and has a 0-10V dimming interface for multi-level illumination options.

Precision, replaceable PicoEmitters are positioned to achieve directional control toward desired task. The entire EmitterDeck[®] fastens to the housing as a one-piece module.

TGIC thermoset polyester powder coat paint, 2.5 mil nominal thickness. Standard colors are Black, Dark Bronze, Light Gray, Stealth Gray[™], Platinum Silver, or White. Custom colors are available.

Listed To: UL 1598 Standard for Luminaires - UL 8750 Standard for Safety for Light Emitting Diode (LED) Equipment for use in Lighting Products and CSA C22.2#250.0 Luminaires.

Kim Lighting warrants Era LED products ("Product(s)") sold by Kim Lighting to be free from defects in material and workmanship for (i) a period of five (5) years for metal parts, (ii) a period of ten (10) years for exterior housing paint finish(s), (iii) a period of six (6) years for LED Light Engines (PicoEmitter reflectors) and, (iv) a period of five (5) years for LED power components (LED Driver, LifeShield[®] temperature control device, surge protector), from the date of sale of such goods to the buyer as specified in Kim Lighting shipment documents for each product.

Fixtures must be grounded in accordance with national, state and/or local electrical codes. Failure to do so may result in serious injury.



HUBBELL LIGHTING, INC.

U.S. Patent D430,687

KIM LIGHTING RESERVES THE RIGHT TO CHANGE SPECIFICATIONS WITHOUT NOTICE.


Job Name:
Kanawha Plaza
Catalog Number:1A-RA25-4-E35-120L-3K-X-PS-LS/
HA11L-TM1

Notes:

Type:**A4**

LV - CENTRAL15-17875

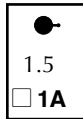
**KIM LIGHTING****RA25**

25" Era® PicoEmitter™ LED

revision 9/10/14 • kl_ra25eled_spec.pdf

Type:**Job:****Page: 2 of 6****Standard Features****Mounting**

Plan View:



EPA 25":

1.5

3.0

4.5

5.2

N/A

Cat. No.:

 1A **2B** **3Y** **4C** **1W**

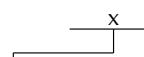
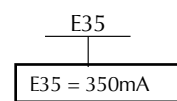
NOTE: **1A, 2B, 3Y** and **4C** mounting arms are part of the Pole Assembly. **1W** Wall Mount arm is **not** included and must be ordered separately. See page 4 for styles and ordering information.

Fixture

Cat. No. designates fixture and optic



RA25

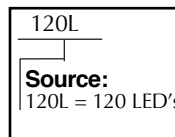
Housing
Size: 25"**Distribution:** 1 = Type I Full Cutoff 2 = Type II Full Cutoff 3 = Type III Full Cutoff 4 = Type IV Full Cutoff 5 = Type V Square Full Cutoff L = Type L Left Full Cutoff R = Type R Right Full Cutoff

E35

E35 = 350mA

Electrical Module

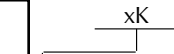
Cat. Nos. for Electrical Modules available:



120L

Source:

120L = 120 LED's

**Color Temperature:** 3K = 3000K 4K = 4200K 5K = 5100K 2K = 580nm - Amber**Voltage:** 120 = 120V 208 = 208V 240 = 240V 277 = 277V 347 = 347V 480 = 480V**SELECT
VOLTAGE****Finish**

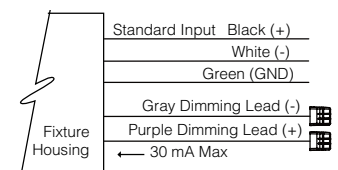
TGIC powder coat

Color: Black Dark Bronze Light Gray Stealth Gray Platinum Silver White Custom Color¹Cat. No.: **BL** **DB** **LG** **SG** **PS** **WH** **CC**

¹Custom colors subject to additional charges, minimum quantities and extended lead times. Consult representative. Custom color description: _____

0-10V Dimming Interface

Driver has a 0-10V dimming interface with a dimming range of 10-100%. Is compatible with most control systems including Hubbell Building Automation wiHUBB™. Approved dimmers include Lutron Diva AVTV, Lutron Nova NFTV and NTFTV. Note: Not compatible with current sourcing dimmers. Controls compatible via Gray and Purple dimming lead.





Job Name:
Kanawha Plaza

Catalog Number:

1A-RA25-4-E35-120L-3K-X-PS-LS/
HA11L-TM1

Notes:

Type:

A4

LV - CENTRAL15-17875



KIM LIGHTING

RA25

25" Era® PicoEmitter™ LED

revision 9/10/14 • kl_ra25eled_spec.pdf

Type:

Job:

Page: 5 of 6



Arm Options

Arms **Note:** Wall mount arm is **not** included and must be ordered separately. Refer to Kim Lighting's Arms and Poles Selection Guide for complete details.

Mtg.	Post Top Crook			Side Pole Crook			Post Top Swept Cast Arm		
	Arm	Tenon Mt.	Wall Mt.	Arm	Tenon Mt.	Wall Mt.	Arm	Tenon Mt.	Wall Mt.
1A	<input type="checkbox"/> HA01L	<input type="checkbox"/> HA01L-TM1	—	<input type="checkbox"/> HA02L	<input type="checkbox"/> HA02L-TM1	<input type="checkbox"/> HA02S-W	<input type="checkbox"/> HA03L	<input type="checkbox"/> HA03L-TM1	—
2B	—	—	—	—	<input type="checkbox"/> HA02L-TM2	—	—	<input type="checkbox"/> HA03L-TM2	—
3Y	—	—	—	—	<input type="checkbox"/> HA02L-TM3	—	—	<input type="checkbox"/> HA03L-TM3	—
4C	—	—	—	—	<input type="checkbox"/> HA02L-TM4	—	—	<input type="checkbox"/> HA03L-TM4	—

Mtg.	Side Pole Swept Cast Arm			Side Pole S-Shaped Up Cast Arm		
	Arm	Tenon Mt.	Wall Mt.	Arm	Tenon Mt.	Wall Mt.
1A	<input type="checkbox"/> HA11L	<input type="checkbox"/> HA11L-TM1	<input type="checkbox"/> HA11L-W	<input type="checkbox"/> HA12L	<input type="checkbox"/> HA12L-TM1	<input type="checkbox"/> HA12L-W
2B	—	<input type="checkbox"/> HA11L-TM2	—	—	<input type="checkbox"/> HA12L-TM2	—
3Y	—	<input type="checkbox"/> HA11L-TM3	—	—	<input type="checkbox"/> HA12L-TM3	—
4C	—	<input type="checkbox"/> HA11L-TM4	—	—	<input type="checkbox"/> HA12L-TM4	—

Mtg.	Side Pole Neo-Classic Arm			Side Pole Arm w/Top Scroll			Side Pole Ribbon Arm w/Top Gusset		
	Arm	Tenon Mt.	Wall Mt.	Arm	Tenon Mt.	Wall Mt.	Arm	Tenon Mt.	Wall Mt.
1A	<input type="checkbox"/> HA14L	<input type="checkbox"/> HA14L-TM1	<input type="checkbox"/> HA14L-W	<input type="checkbox"/> HA31L	<input type="checkbox"/> HA31L-TM1	<input type="checkbox"/> HA31L-W	<input type="checkbox"/> HA33L	<input type="checkbox"/> HA33L-TM1	<input type="checkbox"/> HA33L-W
2B	—	<input type="checkbox"/> HA14L-TM2	—	—	<input type="checkbox"/> HA31L-TM2	—	—	<input type="checkbox"/> HA33L-TM2	—
3Y	—	<input type="checkbox"/> HA14L-TM3	—	—	<input type="checkbox"/> HA31L-TM3	—	—	<input type="checkbox"/> HA33L-TM3	—
4C	—	<input type="checkbox"/> HA14L-TM4	—	—	<input type="checkbox"/> HA31L-TM4	—	—	<input type="checkbox"/> HA33L-TM4	—

Mtg.	Side Pole Ribbon Arm w/Top Brace			Side Pole Ribbon Arm w/Top Brace & Bottom Scroll			Side Pole Ribbon Arm w/Top Brace & Bottom Gusset		
	Arm	Tenon Mt.	Wall Mt.	Arm	Tenon Mt.	Wall Mt.	Arm	Tenon Mt.	Wall Mt.
1A	<input type="checkbox"/> HA35L	<input type="checkbox"/> HA35L-TM	<input type="checkbox"/> HA35L-W	<input type="checkbox"/> HA37L	<input type="checkbox"/> HA37L-TM	<input type="checkbox"/> HA37L-W	<input type="checkbox"/> HA38L	<input type="checkbox"/> HA38L-TM	<input type="checkbox"/> HA38L-W
		Consult factory for other mtgs.	Consult factory for other mtgs.		Consult Factory for other mtgs	Consult Factory for other mtgs		Consult Factory for other mtgs	Consult Factory for other mtgs

Arm Finial: HAF2 - Traditional style finial available to close off mounting hub opposite the fixture.
 *Not available on arm where indicated.





Job Name:
Kanawha Plaza

Catalog Number:

1A-RA25-4-E35-120L-3K-X-PS-LS/
HA11L-TM1

Notes:

Type:

A4

LV - CENTRAL15-17875



KIM LIGHTING

RA25

25" Era[®] PicoEmitter[™] LED
revision 9/10/14 • kl_ra25eled_spec.pdf

Type:

Job:

Page: 6 of 6



Lumen Performance Charts

Spectroradiometric			
	3000K Average	4200K Average	5100K Average
Correlated Color Temp. CCT (K)	2800K-3175K	3800K-4600K	4600K-5600K
Color Rendering Index (CRI)	≤80	≤80	≤70
Power Factor	>.90	>.90	>.90

Projected Lumen Maintenance		
mA	100,000 hrs	(Calculated L70)
350	93.96%	675,000 Hrs.

Electrical Drive Current		
Volts - AC	Amps - AC	System Watts
120	1.05	126
208	0.61	126
240	0.53	126
277	0.45	126
347	0.36	126
480	0.26	126

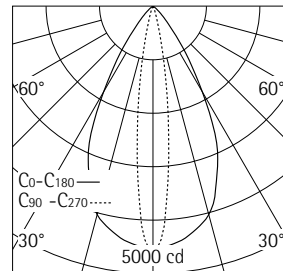
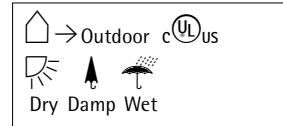
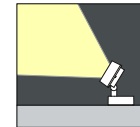
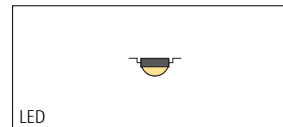
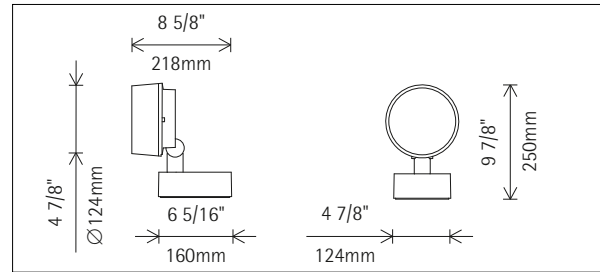
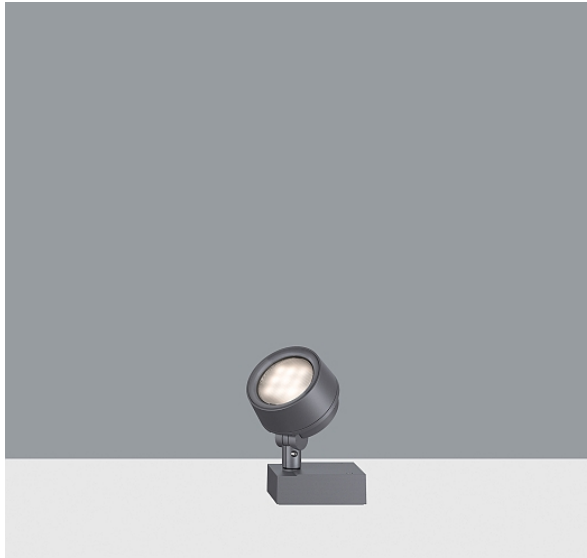
B.U.G. Rating (TM15) in Lumens when B = Backlight, U = Uplight, G = Glare								
Temperature	TYPE 1	TYPE 2	TYPE 3	TYPE 3 NFO	TYPE 4	TYPE 4 NFO	TYPE 5	TYPE L/R
3000K	TBD	B2 U0 G2	B2 U0 G2	B1 U0 G2	B1 U0 G2	B1 U0 G2	B3 U0 G1	TBD
4200K	TBD	B3 U0 G3	B2 U0 G2	B2 U0 G2	B1 U0 G2	B1 U0 G2	B3 U0 G2	TBD
5100K	TBD	B3 U0 G3	B2 U0 G2	B2 U0 G2	B1 U0 G2	B1 U0 G2	B3 U0 G2	TBD

Absolute Lumens								
Temperature	TYPE 1	TYPE 2	TYPE 3	TYPE 3 NFO	TYPE 4	TYPE 4 NFO	TYPE 5	TYPE L/R
3000K	TBD	8181	7999	6556	7970	6670	8438	TBD
4200K	TBD	10298	10070	8253	10034	8397	10622	TBD
5100K	TBD	11296	11046	9053	11006	9210	11651	TBD

LED performance and lumen output continues to improve at a rapid pace. Log onto www.kimlighting.com to download the most current photometric files from Kim Lighting's IES File Library. For custom optics and color temperature configurations, contact factory.

ERCO

Gecko Floodlight



LED 18W 1800lm 3000K warm white

h(ft)	E(fc)	D	
		C0	C90
		55°	15°
3	509	3'1"	0'9"
6	127	6'3"	1'7"
9	57	9'4"	2'4"
12	32	12'6"	3'2"
15	20	15'7"	3'11"

34124.023 Graphit m
LED 18W 1800lm 3000K warm white
Dimmable
Version 7
Connected load 22W
Spherolit lens, oval flood

Product description

Housing, hinge and mounting plate: corrosion-resistant, cast aluminum, No-Rinse surface treatment. Double powder-coated. Optimized surface for reduced accumulation of dirt. Hinge with scale and internal wiring. Housing 130° tilttable, rotatable through 360°.

Electronic control gear, 60Hz, 120V dimmable, 277V switchable. 2 cable entries. Through-wiring possible. 3-pole terminal block.

LED module: high-power LEDs on metal-core PCB. SDCM<2. CRI>90. L80/B10 50000h. Collimating lens made of optical polymer. Lens rotatable through 360°.

Compact light head with non-reflecting safety glass. Corrosion-resistant cast aluminum, double powder-coated. Suitable for wet location (IP65): dust-proof and water jet-proof.

120V: Dimming with external dimmers possible (trailing edge).

Weight 5.51lbs / 2.50kg

Available from 2nd quarter 2015

ERCO Lighting Inc.
160 Raritan Center Parkway
Suite 10
Edison, NJ 08837
USA
Tel.: +1 732 225 8856
Fax: +1 732 225 8857
info.us@erco.com

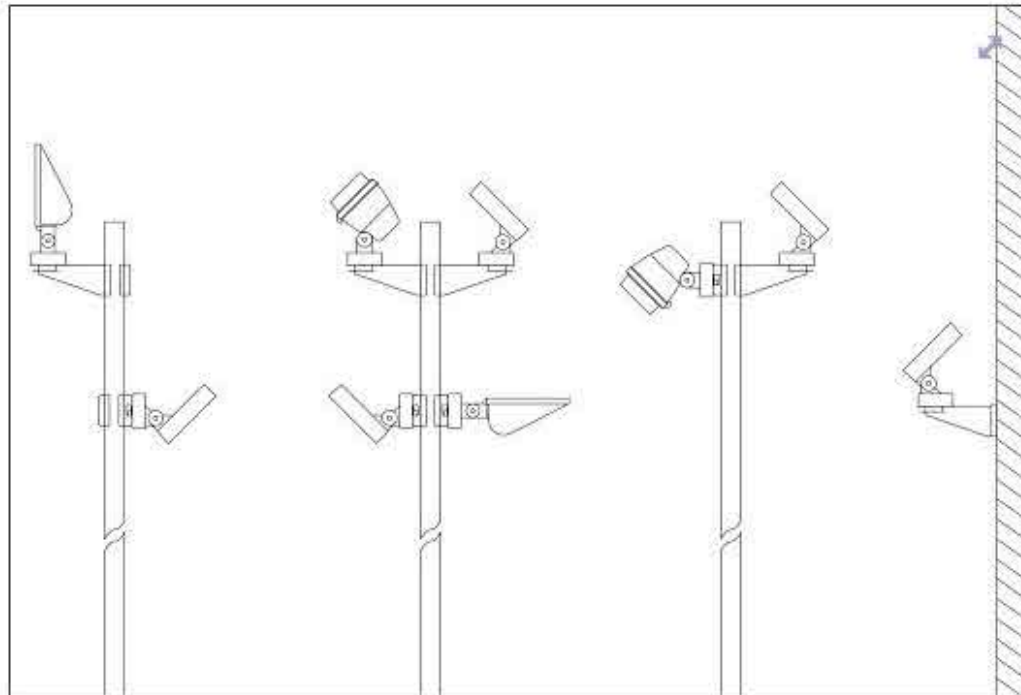
Technical region: 120V/60Hz, 277V/60Hz

We reserve the right to make technical and design changes.

Edition: 25.02.2015

Current version under

www.erco.com/34124.023



Flexible infrastructure

An entirely re-defined range of accessories for projectors, floodlights and wallwashers in the outdoor area features a practical clamping mechanism to ensure mounting without drilling into the poles. The clamping plate is suitable for dimensions with a diameter of 60-89mm. It is used to attach the attachment for direct mounting of the luminaire on the pole or for the traverse to fix luminaires tilting backwards. The traverse may also be attached directly to walls or façades. The accessories are suitable for all fixture sizes of Lightscan, Beamer and Parscoop.



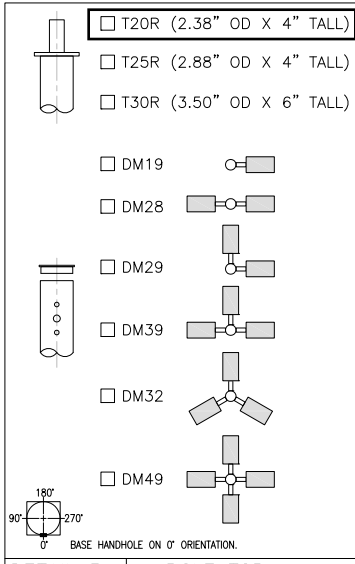
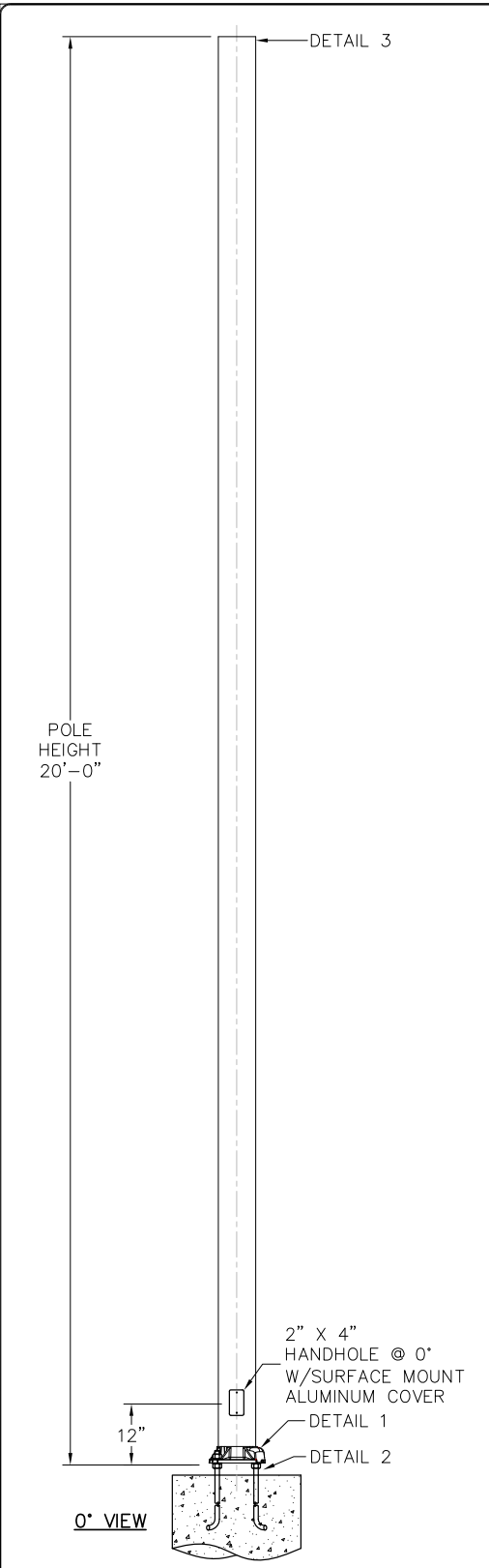
Job Name:
Kanawha Plaza

Catalog Number:
RNA-20-45-7-AB-PC(PS)-T20R

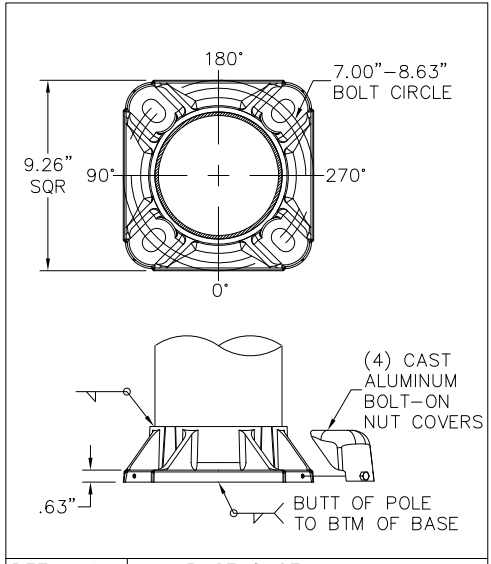
Type:
A POLE

Notes:

LV - CENTRAL15-17875



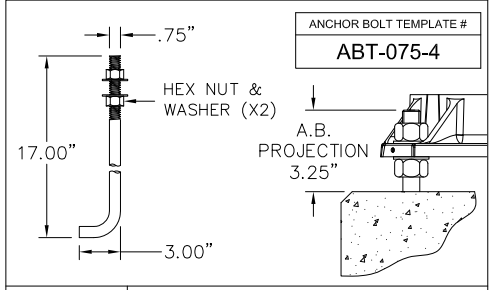
DETAIL 3 POLE TOP



DETAIL 1 BASE CAST

PAINTED PLATINUM SILVER (PS) FINISH TO MATCH KIM FIXTURES

DETAIL 4



DETAIL 2 ANCHOR BOLT

- 1) POLE SHAFT IS EXTRUDED FROM SEAMLESS ALLOY ALUMINUM & TREATED TO PRODUCE A T6 TEMPER.
- 2) ALL ALUMINUM ALLOYS SHALL COMPLY WITH METALLURGICAL AND MECHANICAL PROPERTIES SET FORTH IN THE ALUMINUM ASSOCIATION STANDARDS.
- 3) ANCHOR BOLTS SHALL BE FULLY GALVANIZED PER ASTM A153.
- 4) PROVISIONS FOR GROUNDING LOCATED AT BASE HAND HOLE.
- 5) VIBRATION DISCLAIMER: ALTHOUGH RARE, VIBRATIONS SEVERE ENOUGH TO CAUSE DAMAGE CAN OCCASIONALLY OCCUR IN STRUCTURES OF ALL TYPES. BECAUSE THEY ARE INFLUENCED BY MANY INTERACTING VARIABLES, VIBRATIONS ARE GENERALLY UNPREDICTABLE. THE USERS MAINTENANCE PROGRAM SHOULD INCLUDE OBSERVATION FOR EXCESSIVE VIBRATION AND EXAMINATION FOR ANY STRUCTURAL DAMAGE. ALP WARRANTY EXCLUDES FATIGUE FAILURE OR SIMILAR PHENOMENA RESULTING FROM INDUCED VIBRATION, HARMONIC OSCILLATION OR RESONANCE ASSOCIATED WITH MOVEMENT OF AIR CURRENTS AROUND THE POLE.

LOADING DATA						
DESIGN CRITERIA:	AASHTO LTS-3 1994					
WIND SPEED(mph)	80	90	100	110	120	130 140
EPA FT²	3.2	2.0	1.4	1.0	-	-
WEIGHT (lbs)	100	100	100	100	-	-
FINISH						
TBD						

MATERIAL DATA	
COMPONENT	ASTM
POLE SHAFT	6063-T4
BASE CAST	A356
ANCHOR BOLTS	F1554 GR.55

POLE DIMENSION DATA						
TYPE	DESIGN	POLE LENGTH (FT)	BASE DIA. (IN)	TOP DIA. (IN)	GAUGE OR THK (IN)	WEIGHT (LBS)
	RNA-20-45-7-AB	20'-0"	4.50	4.50	.188	64

DETAIL GENERAL NOTES

AMERICAN LITE POLE
2800 S. HULEN, SUITE 200
FORT WORTH, TX 76109
817-924-3682 PH.
817-924-7049 FAX

**** CONFIDENTIAL ****
THE INFORMATION CONTAINED IN THIS DRAWING IS PROPRIETARY AND CONFIDENTIAL. UNAUTHORIZED DUPLICATION OR DISSEMINATION OF THIS DOCUMENT IS STRICTLY PROHIBITED WITHOUT PRIOR WRITTEN NOTICE FROM AMERICAN LITE POLE.

REV. DATE	BY	REVISION DESCRIPTION

PROJECT NAME:

DESCRIPTION:
ROUND STRAIGHT ALUMINUM ANCHOR BASE
20' x 4.5" x .188"

PO NUMBER:	DATE:	DWG BY:
	041014	BM
QUOTE NUMBER:	SCALE:	CHKD BY:
	NTS	CKR
DRAWING NUMBER:		REV:
RNA-20-45-7-AB		

Submitted by Lighting Virginia-Central



Job Name:
Kanawha Plaza

Catalog Number:
1SA-RA17-2-E35-60L-3K-X-PS-LS/
HA11S-TM1
Notes:

Type:
C2
LV - CENTRAL15-17875





Job Name:
Kanawha Plaza

Catalog Number:

1SA-RA17-2-E35-60L-3K-X-PS-LS/
HA11S-TM1

Notes:

Type:

C2

LV - CENTRAL15-17875



KIM LIGHTING

RA17

17" Era® PicoEmitter™ LED
revision 9/10/14 • kl_ra17eled_spec.pdf

Type:

Job:

Catalog number:

____ / ____ / ____ / ____ / ____
Mtg Fixture Electrical Module Finish Options
____ See page 2 _____ See page 3-4 _____ Pole & Arm* _____

*Select pole and arm from Kim **Arms and Poles Selection Guide**. If pole is provided by others, indicate O.D. for arm fitting. Arm Options are also shown on page 5.

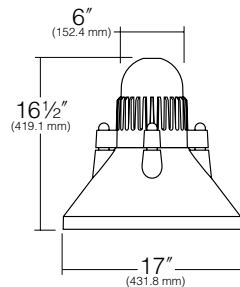
Approvals:

Date:

Page: 1 of 6

Specifications

17" Diameter
60 Light Emitting Diodes
Total System Watts = 68W



Housing: The Ballast Housing is a one-piece die-cast, low copper (<0.6% Cu) aluminum alloy component with integral cooling fins. The Reflector Housing is one-piece die-cast, low copper (<0.6% Cu) aluminum alloy. The Ballast Housing attaches to the Reflector Housing with stainless steel fasteners and is sealed with a silicone gasket.

Lens Frame: One-piece die-cast, low copper (<0.6% Cu) aluminum alloy. Stainless steel hinges provided for attachment to the Reflector Housing. Stainless steel threaded fasteners provide easy access, concealed from normal view. The 3/16" thick clear flat lens seals against the reflector flange by a one-piece extruded silicone gasket with fused seam, to produce a fully sealed optical chamber.

Mounting: Stainless steel bolts are provided to attach the luminaire to the crook arm or swept arm mounting.

Electronic Module: All electrical components are UL and CSA recognized, mounted on a single plate and factory prewired with quick-disconnect plugs. Module includes a driver, LifeShield® temperature control device and surge protector. Electrical module attaches to housing with key hole slots, accessible by opening the lens frame and removing optical module. Driver is rated for -40°F starting and has a 0-10V dimming interface for multi-level illumination options.

Optical Module: Precision, replaceable PicoEmitters are positioned to achieve directional control toward desired task. The entire EmitterDeck® mounting assembly fastens to the housing as a one-piece module.

Finish/Color: TGIC thermoset polyester powder coat paint, 2.5 mil nominal thickness. Standard colors are Black, Dark Bronze, Light Gray, Stealth Gray, Platinum Silver, or White. Custom colors are available.

Listed To: UL 1598 Standard for Luminaires - UL 8750 Standard for Safety for Light Emitting Diode (LED) Equipment for use in Lighting Products and CSA C22.2#250.0 Luminaires.

Warranty: Kim Lighting warrants Era LED products ("Product(s)") sold by Kim Lighting to be free from defects in material and workmanship for (i) a period of five (5) years for metal parts, (ii) a period of ten (10) years for exterior housing paint finish(s), (iii) a period of six (6) years for LED Light Engines (PicoEmitter®) and, (iv) a period of five (5) years for LED power components (LED Driver, LifeShield temperature control device, surge protector), from the date of sale of such goods to the buyer as specified in Kim Lighting shipment documents for each product.

CAUTION: Fixtures must be grounded in accordance with national, state and/or local electrical codes. Failure to do so may result in serious injury.



HUBBELL LIGHTING, INC.

U.S. Patent D430,687

KIM LIGHTING RESERVES THE RIGHT TO CHANGE SPECIFICATIONS WITHOUT NOTICE.



Job Name:
Kanawha Plaza

Catalog Number:
1SA-RA17-2-E35-60L-3K-X-PS-LS/
HA11S-TM1
Notes:

Type:
C2
LV - CENTRAL15-17875



RA17
17" Era® PicoEmitter™ LED
revision 9/10/14 • kl_ra17eled_spec.pdf

Type:

Job:

Page: 2 of 6



Standard Features

Mounting

Plan View:

EPA 17": 0.8	1.6	2.4	2.8	n/a
Cat. No.: <input type="checkbox"/> 1A	<input type="checkbox"/> 2B	<input type="checkbox"/> 3Y	<input type="checkbox"/> 4C	<input type="checkbox"/> 1W

NOTE: 1A, 2B, 3Y and 4C mounting arms are part of the Pole Assembly. 1W Wall Mount arm is **not** included and must be ordered separately. See page 4 for styles and ordering information.

Fixture

Cat. No. designates fixture and optic

RA17 Housing Size: 17"	x E35 E35 = 350mA	Light Distribution:
<input type="checkbox"/> 1 = Type I Full Cutoff <input checked="" type="checkbox"/> 2 = Type II Full Cutoff <input type="checkbox"/> 3 = Type III Full Cutoff <input type="checkbox"/> 4 = Type IV Full Cutoff <input type="checkbox"/> 5 = Type V Square Full Cutoff <input type="checkbox"/> L = Type L Left Full Cutoff <input type="checkbox"/> R = Type R Right Full Cutoff	Type I Type II Type III Type IV Forward Throw Type V Square Type R Right Type L Left	

Electrical Module

Cat. Nos. for Electrical Modules available:

60L Source: 60L = 60 LED's	xK Color Temperature: <input checked="" type="checkbox"/> 3K = 3000K <input type="checkbox"/> 4K = 4200K <input type="checkbox"/> 5K = 5100K <input type="checkbox"/> 2K = 580nm - Amber	x Voltage: <input type="checkbox"/> 120 = 120V <input type="checkbox"/> 208 = 208V <input type="checkbox"/> 240 = 240V <input type="checkbox"/> 277 = 277V <input type="checkbox"/> 347 = 347V ¹ <input type="checkbox"/> 480 = 480V ¹	SELECT VOLTAGE
----------------------------------	--	--	-----------------------

¹Due to current unavailability of 347V and 480V drivers, specification of these voltages may feature an integral step-down transformer.

Finish

TGIC powder coat

Color: Black Dark Bronze Light Gray Stealth Gray Platinum Silver White Custom Color²

Cat. No.: BL DB LG SG PS WH CC

²Custom colors subject to additional charges, minimum quantities and extended lead times. Consult representative. Custom color description: _____

0-10V Dimming Interface

Driver has a 0-10V dimming interface with a dimming range of 10-100%. Is compatible with most control systems including Hubbell Building Automation wiHUBB™. Approved dimmers include Lutron Diva AVTV, Lutron Nova NFTV and NTFTV. Note: Not compatible with current sourcing dimmers. Controls compatible via Gray and Purple dimming lead.





Job Name:
Kanawha Plaza

Catalog Number:1SA-RA17-2-E35-60L-3K-X-PS-LS/
HA11S-TM1

Notes:

Type:**C2**

LV - CENTRAL15-17875

**KIM LIGHTING****RA17**17" Era® PicoEmitter™ LED
revision 9/10/14 • kl_ra17eled_spec.pdf**Type:****Job:****Page: 5 of 6****Arm Options****Arms**

Note: Wall mount arm is **not** included and must be ordered separately. Refer to Kim Lighting's Arms and Poles Selection Guide for complete details.

Mtg.	Post Top Crook			Side Pole Crook			Post Top Swept Cast Arm		
	Arm	Tenon Mt.	Wall Mt.	Arm	Tenon Mt.	Wall Mt.	Arm	Tenon Mt.	Wall Mt.
1SA	<input type="checkbox"/> HA01S	<input type="checkbox"/> HA01S-TM1	—	<input type="checkbox"/> HA02S	<input type="checkbox"/> HA02S-TM1	<input type="checkbox"/> HA02S-W	<input type="checkbox"/> HA03S	<input type="checkbox"/> HA03S-TM1	—
2SB	—	—	—	—	<input type="checkbox"/> HA02S-TM2	—	—	<input type="checkbox"/> HA03S-TM2	—
3SY	—	—	—	—	<input type="checkbox"/> HA02S-TM3	—	—	<input type="checkbox"/> HA03S-TM3	—
4SC	—	—	—	—	<input type="checkbox"/> HA02S-TM4	—	—	<input type="checkbox"/> HA03S-TM4	—

Mtg.	Side Pole Swept Cast Arm			Side Pole S-Shaped Up Cast Arm		
	Arm	Tenon Mt.	Wall Mt.	Arm	Tenon Mt.	Wall Mt.
1SA	<input type="checkbox"/> HA11S	<input type="checkbox"/> HA11S-TM1	<input type="checkbox"/> HA11S-W	<input type="checkbox"/> HA12S	<input type="checkbox"/> HA12S-TM1	<input type="checkbox"/> HA12S-W
2SB	—	<input type="checkbox"/> HA11S-TM2	—	—	<input type="checkbox"/> HA12S-TM2	—
3SY	—	<input type="checkbox"/> HA11S-TM3	—	—	<input type="checkbox"/> HA12S-TM3	—
4SC	—	<input type="checkbox"/> HA11S-TM4	—	—	<input type="checkbox"/> HA12S-TM4	—

Mtg.	Side Pole Neo-Classic Arm			Side Pole Arm w/Top Scroll			Side Pole Ribbon Arm w/Top Gusset		
	Arm	Tenon Mt.	Wall Mt.	Arm	Tenon Mt.	Wall Mt.	Arm	Tenon Mt.	Wall Mt.
1SA	<input type="checkbox"/> HA14S	<input type="checkbox"/> HA14S-TM1	<input type="checkbox"/> HA14S-W	<input type="checkbox"/> HA31S	<input type="checkbox"/> HA31S-TM1	<input type="checkbox"/> HA31S-W	<input type="checkbox"/> HA33S	<input type="checkbox"/> HA33S-TM1	<input type="checkbox"/> HA33S-W
2SB	—	<input type="checkbox"/> HA14S-TM2	—	—	<input type="checkbox"/> HA31S-TM2	—	—	<input type="checkbox"/> HA33S-TM2	—
3SY	—	<input type="checkbox"/> HA14S-TM3	—	—	<input type="checkbox"/> HA31S-TM3	—	—	<input type="checkbox"/> HA33S-TM3	—
4SC	—	<input type="checkbox"/> HA14S-TM4	—	—	<input type="checkbox"/> HA31S-TM4	—	—	<input type="checkbox"/> HA33S-TM4	—

Mtg.	Side Pole Ribbon Arm w/Top Brace			Side Pole Ribbon Arm w/Top Brace & Bottom Scroll			Side Pole Ribbon Arm w/Top Brace & Bottom Gusset		
	Arm	Tenon Mt.	Wall Mt.	Arm	Tenon Mt.	Wall Mt.	Arm	Tenon Mt.	Wall Mt.
1SA	<input type="checkbox"/> HA35S	<input type="checkbox"/> HA35S-TM	<input type="checkbox"/> HA35S-W	<input type="checkbox"/> HA37S	<input type="checkbox"/> HA37S-TM	<input type="checkbox"/> HA37S-W	<input type="checkbox"/> HA38S	<input type="checkbox"/> HA38S-TM	<input type="checkbox"/> HA38S-W
		Consult factory for other mtgs.	Consult factory for other mtgs.		Consult Factory for other mtgs	Consult Factory for other mtgs		Consult Factory for other mtgs	Consult Factory for other mtgs

Arm Finial:

HAF2 - Traditional style finial available to close off mounting hub opposite the fixture.
¹Not available on arm where indicated.





Job Name:
Kanawha Plaza

Catalog Number:1SA-RA17-2-E35-60L-3K-X-PS-LS/
HA11S-TM1

Notes:

Type:**C2**

LV - CENTRAL15-17875

**KIM LIGHTING****RA17**17" Era® PicoEmitter™ LED
revision 9/10/14 • kl_ra17eled_spec.pdf**Type:****Job:****Page: 6 of 6**

Lumen Data

Spectroradiometric			
	3000K Average	4200K Average	5100K Average
Correlated Color Temp. CCT (K)	2800K-3175K	3800K-4600K	4600K-5600K
Color Rendering Index (CRI)	≤80	≤80	≤70
Power Factor	>.90	>.90	>.90

Projected Lumen Maintenance		
mA	100,000 hrs	(Calculated L70)
350	94.63%	783,000 Hrs.

Electrical Drive Current		
Volts - AC	Amps - AC	System Watts
120	0.57	68
208	0.33	68
240	0.28	68
277	0.25	68
347	0.20	68
480	0.14	68

B.U.G. Rating (TM15) in Lumens when B = Backlight, U = Uplight, G = Glare								
Temperature	TYPE 1	TYPE 2	TYPE 3	TYPE 3 NFO	TYPE 4	TYPE 4 NFO	TYPE 5	TYPE L/R
3000K	B2 U0 G2	B1 U0 G1	B1 U0 G1	B1 U0 G1	B1 U0 G1	B0 U0 G1	B2 U0 G1	TBD
4200K	B3 U0 G3	B2 U0 G2	B1 U0 G1	B1 U0 G1	B1 U0 G2	B1 U0 G1	B3 U0 G1	TBD
5100K	B3 U0 G3	B2 U0 G2	B1 U0 G1	B1 U0 G1	B1 U0 G2	B1 U0 G1	B3 U0 G1	TBD

Absolute Lumens								
Temperature	TYPE 1	TYPE 2	TYPE 3	TYPE 3 NFO	TYPE 4	TYPE 4 NFO	TYPE 5	TYPE L/R
3000K	4236	4343	4312	3563	4353	3613	4356	TBD
4200K	5298	5432	5393	4456	5444	4519	5447	TBD
5100K	5851	5999	5956	4921	6012	4991	6016	TBD

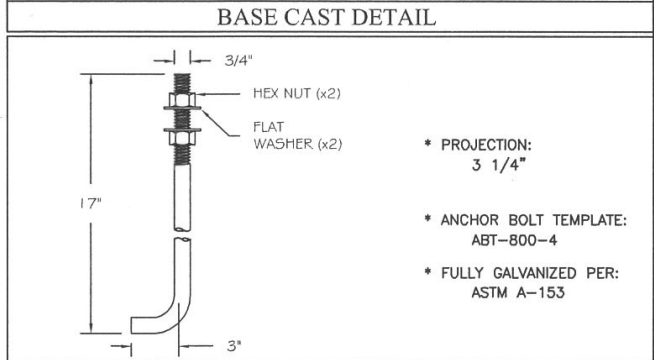
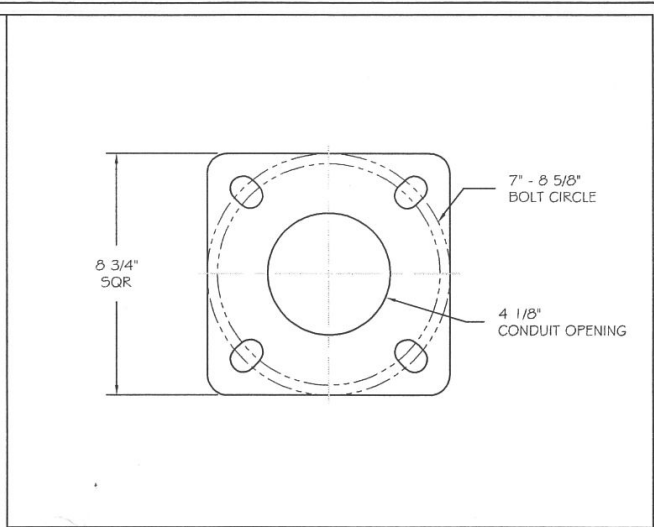
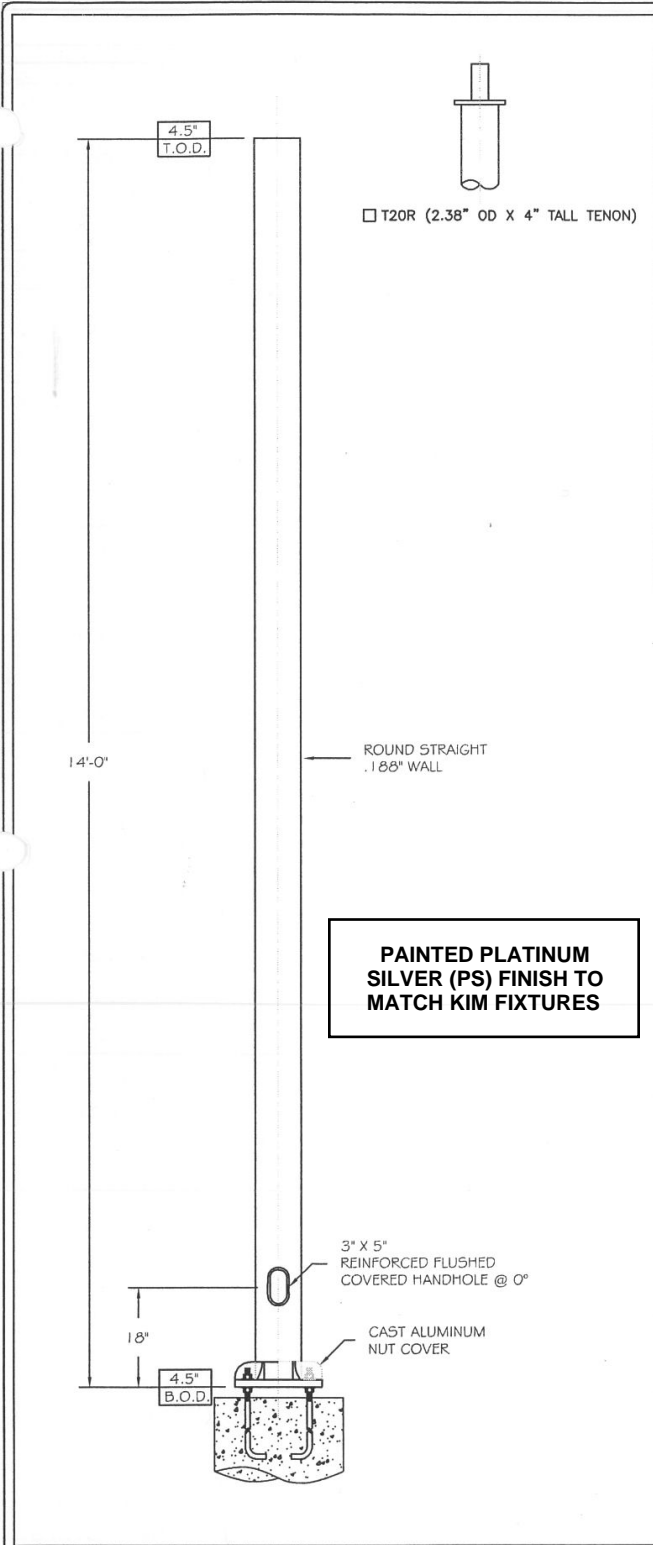
LED performance and lumen output continues to improve at a rapid pace. Log onto www.kimlighting.com to download the most current photometric files from Kim Lighting's IES File Library. For custom optics and color temperature configurations, contact factory.



Job Name:
Kanawha Plaza

Notes:

LV - CENTRAL15-17875



LOADING CHART

WIND (MPH)	80	90	100	110
EPA	11.4	8.6	6.8	5.4
WEIGHT	150	150	150	150

SPECIFICATIONS

COMPONENT	SPECIFICATION
POLE SHAFT	6063 - ALLOY ALUMINUM
BASE CAST	A356 ALLOY ALUMINUM
ANCHOR BOLTS	ASTM F-1554 GRADE 55

- GENERAL NOTES**
- ALUMINUM TUBE SHALL BE HEAT TREATED TO T6 TEMPER.
 - POLE ASSEMBLY TO BE PAINTED AND WRAPPED.
 - DESIGN WIND SPEEDS IN LOADING CHART INCLUDE 1.3 GUST FACTOR.
 - POLE DESIGN IS BASED AGAINST AASHTO 1994 STANDARDS.

(FOR APPROVAL)
BY: _____ DATE: _____



AMERICAN LITE POLE
2800 S. HULEN, SUITE 200
FORT WORTH, TX 76109
817-924-3682 PH.
817-924-7049 FAX

**** CONFIDENTIAL****
THE INFORMATION CONTAINED IN THIS DRAWING IS PROPRIETARY AND CONFIDENTIAL. UNAUTHORIZED DUPLICATION OR DISSEMINATION OF THIS DOCUMENT IS STRICTLY PROHIBITED WITHOUT PRIOR WRITTEN NOTICE FROM AMERICAN LITE POLE.

REV.	DATE	BY	REVISION DESCRIPTION
			PROJECT NAME: FOUNDRY PARK BRIDGE
			DESCRIPTION: ROUND STRAIGHT 14' ALUMINUM

SCALE: NONE	DATE: 11/30/10	DWG BY: BM
PO NUMBER:	QTY:	CHKD BY: CKR
DRAWING NUMBER: RNA-14-45-7-AB		REV: -

Submitted by Lighting Virginia-Central

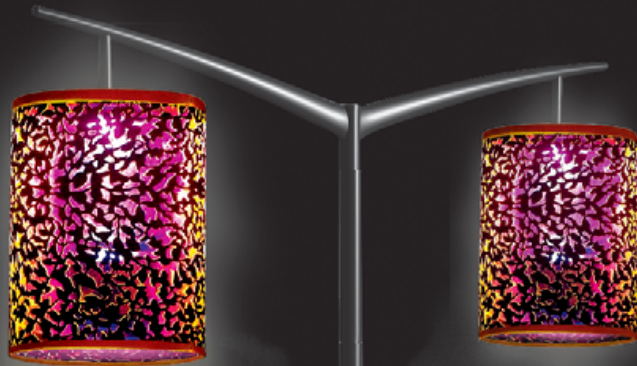


Job Name:
Kanawha Plaza

Catalog Number:
SCHREDER BOR-LHP3200-MT-XX-
XXX-RAL(SILVER)/A114-1-59
Notes:

Type:
L

LV - CENTRAL15-17875



BOREAL




URBIS
MEMBER OF SCHREDER GROUP GIE

NOBLE MATERIALS

The Boreal luminaire has a body made of cast aluminium and a clear acrylic wrap-around diffuser. The body is protected against corrosion by a baked polyester powder coating. The wrap-around diffuser is encircled by a stainless steel perforated mask. All parts inside the luminaire are made of aluminium.

SYMMETRICAL LIGHTING

The optical compartment provides a tightness level of IP 66. It has a refractor and upper reflector providing symmetrical lighting.

MASKS AND COLOURS

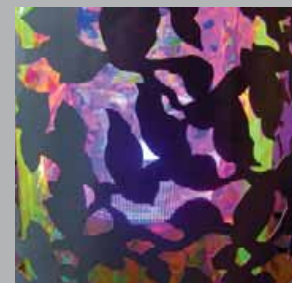
The Boreal luminaire is equipped with a perforated mask providing a spontaneous and festive effect.

Other types of masks are also available.

A dichroic filter placed inside the wrap-around diffuser permits the creation of coloured effects.

MAINTENANCE

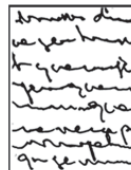
Access to the lamp and control gear is via three captive screws located under the luminaire. The control gear is mounted on a removable plate.



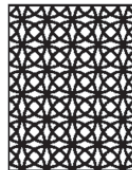
BRANCHES
MASK



HANDWRITING
MASK



CLASSIC
MASK



ABSTRACT
MASK



FOLIAGE
MASK





Job Name:
Kanawha Plaza

Catalog Number:
SCHREDER BOR-LHP3200-MT-XX-
XXX-RAL(SILVER)/A114-1-59

Notes:

Type:

L

LV - CENTRAL15-17875

BOREAL

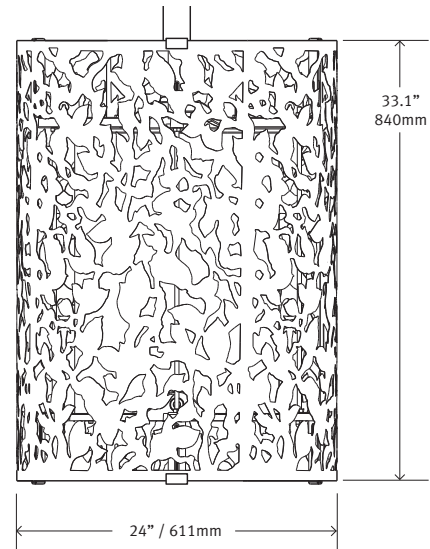
Type: _____ Quantity: _____ Approvals _____

Job: _____

Date: _____

Catalog Number: BOR • • • • • • • •
lamp type voltage dichroic filter drum pattern color mounting pole

Model	BOREAL
Dimensions	
Height	33.1 in/840mm
Diameter	24 in/611mm
EPA	2.15 sq ft/.20 m ²
Weight	66.1 lbs/30kg
IP rating	66
Light Source	
Metal Halide	70, 150 watt T-6



SPECIFICATIONS

- Housing:** Made of cast aluminum, 0.100" (254mm) minimum thickness with a mounting provision for attachment to the arm. The housing is attached to the arm with a threaded pipe connection and stainless steel set screws.
- Outer drum:** The outer drum is 316 alloy stainless steel with a lightly brushed finish. The drum is available in three standard mesh patterns. The drum is attached to the housing, on the top and bottom and can be removed.
- Lens:** A clear outer cylindrical acrylic lens is attached to the housing with a continuous silicone seal. The optical compartment is rated at IP66. The vertical lamp is placed at the center of the optical chamber, providing a symmetrical distribution, IES classification type 5.
- Filter:** A dichroic filter, blue or magenta, is located inside the lens to generate a colored moire effect.
- Lamp Access:** A gasketed removable cover is accessible at the bottom of the lens assembly.
- Electrical:** A terminal block is located in the lamp housing. Wires up to #8 can be terminated. A ground lug is also included. The lamp socket is porcelain, pulse rated 4kV G-12 base for use with a T-6 lamp.
- Ballast:** A high power factor, potted and enclosed ballast is mounted inside the pole. The ballast is dual voltage 120 or 277 volt.
- Finish:** The standard finish is a light sanded texture, black polyester powder coating. The finish provides a highly durable UV and salt spray resistant finish in accordance to the ASTM B117 standard and humidity proof in accordance with the ASTM D2247 standard.

Schröder



Job Name:
Kanawha Plaza

Catalog Number:
SCHREDER BOR-LHP3200-MT-XX-
XXX-RAL(SILVER)/A114-1-59
Notes:

Type:
L
LV - CENTRAL15-17875

BOREAL




Type: _____ Quantity: _____

Approvals

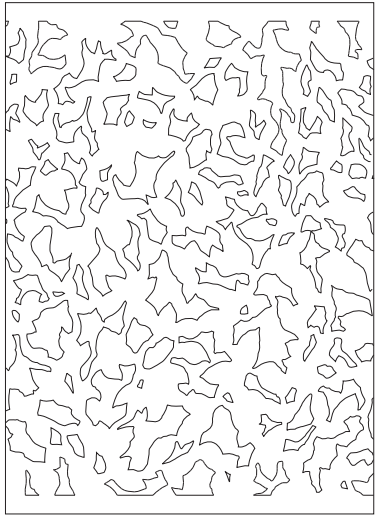
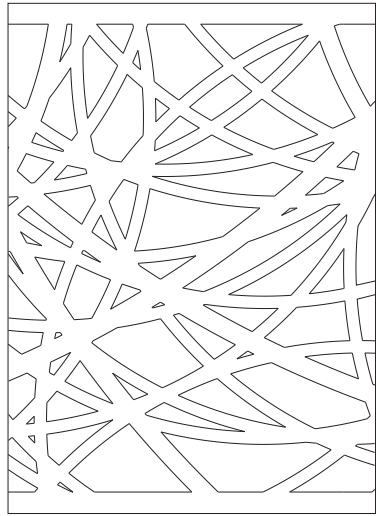
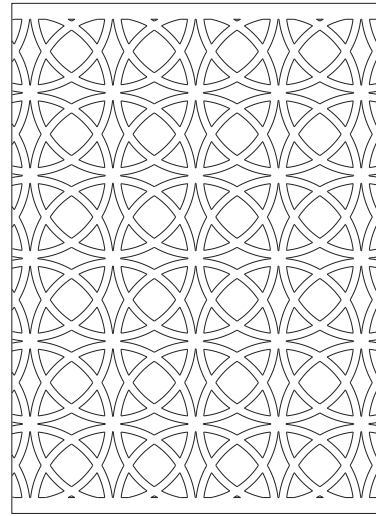
Job: _____

Date: _____

Catalog Number: BOR • • • • •
lamp type voltage dichroic filter drum pattern color mounting pole

1	2	3	5
LAMP TYPE MH T6 - 70 70 watt metal halide T-6 lamp, G12 base  MH T6 - 150 150 watt metal halide T-6 lamp, G12 base  LHP-3200  LED 90W 8900lm	VOLTAGE MT F-can ballast, in pole mounting. Dual voltage, 120 or 277 volt EUC-096S105DT(7) LED Dimmable-Driver (96W, 90-305Vac)	DICHROIC FILTER MG Magenta dichroic filter CY Cyan dichroic filter <div style="border: 1px solid black; padding: 5px; text-align: center; margin-top: 10px;">SELECT FILTER</div>	POLE AND BRACKET COLOR SBK 200 Sand blast textured Black RAL [SILVER TBD - TO MATCH KIM "PS"] Provide four digit RAL color number CSC Custom color. Provide a color sample for matching and approval

SELECT DRUM PATTERN

DRUM MESH PATTERN		
FOM Foliage mesh pattern 	BRM Branches mesh pattern 	CIM Circles mesh pattern 





Job Name:
Kanawha Plaza

Catalog Number:
SCHREDER BOR-LHP3200-MT-XX-
XXX-RAL(SILVER)/A114-1-59
Notes:

Type:
L
LV - CENTRAL15-17875

BOREAL

Type: _____ Quantity: _____ Approvals _____

Job: _____

Date: _____

Catalog Number: BOR • • • • •
lamp type voltage dichroic filter drum pattern color mounting pole

6

MOUNTING	
<p>A-114-1-59 Single Bracket, EPA: 2.15 sq ft/ .20 m²</p>	<p>A-114-2-59 Twin bracket, EPA: 3.44 sq ft/ .32 m²</p>

7

POLE
Refer to the Schröder pole guide.





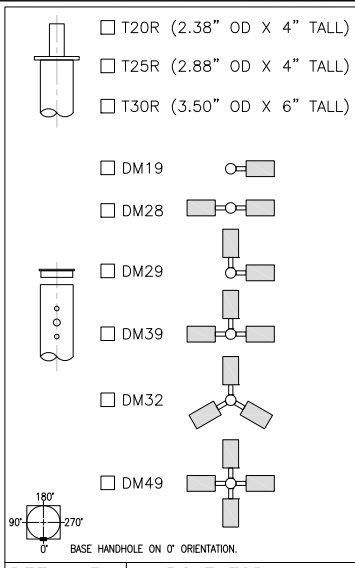
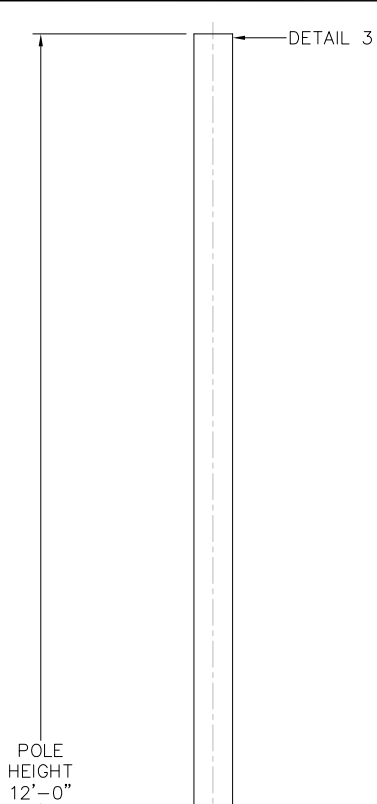
Job Name:
Kanawha Plaza

Catalog Number:
RNA-12-45-7-AB-PC(PS)-T20R

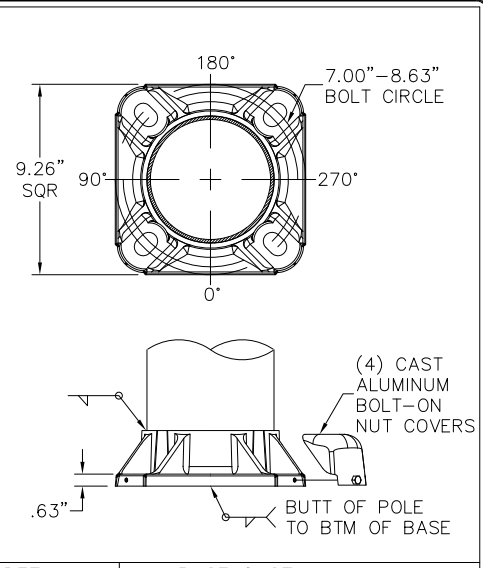
Type:
L POLE

Notes:

LV - CENTRAL15-17875



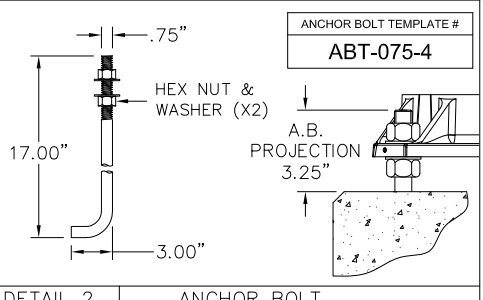
DETAIL 3 POLE TOP



DETAIL 1 BASE CAST

**PAINTED TO MATCH
KIM PLATINUM SILVER (PS)
AND SCHREDER
FIXTURES**

DETAIL 4



DETAIL 2 ANCHOR BOLT

- 1) POLE SHAFT IS EXTRUDED FROM SEAMLESS ALLOY ALUMINUM & TREATED TO PRODUCE A T6 TEMPER.
- 2) ALL ALUMINUM ALLOYS SHALL COMPLY WITH METALLURGICAL AND MECHANICAL PROPERTIES SET FORTH IN THE ALUMINUM ASSOCIATION STANDARDS.
- 3) ANCHOR BOLTS SHALL BE FULLY GALVANIZED PER ASTM A153.
- 4) PROVISIONS FOR GROUNDING LOCATED AT BASE HAND HOLE.
- 5) VIBRATION DISCLAIMER: ALTHOUGH RARE, VIBRATIONS SEVERE ENOUGH TO CAUSE DAMAGE CAN OCCASIONALLY OCCUR IN STRUCTURES OF ALL TYPES. BECAUSE THEY ARE INFLUENCED BY MANY INTERACTING VARIABLES, VIBRATIONS ARE GENERALLY UNPREDICTABLE. THE USERS MAINTENANCE PROGRAM SHOULD INCLUDE OBSERVATION FOR EXCESSIVE VIBRATION AND EXAMINATION FOR ANY STRUCTURAL DAMAGE. ALP WARRANTY EXCLUDES FATIGUE FAILURE OR SIMILAR PHENOMENA RESULTING FROM INDUCED VIBRATION, HARMONIC OSCILLATION OR RESONANCE ASSOCIATED WITH MOVEMENT OF AIR CURRENTS AROUND THE POLE.

LOADING DATA							
DESIGN CRITERIA:	AASHTO LTS-3 1994						
WIND SPEED(mph)	80	90	100	110	120	130	140
EPA FT²	10.2	7.7	6.2	5.0	-	-	-
WEIGHT (lbs)	75	75	75	75	-	-	-
FINISH							
TBD							

MATERIAL DATA	
COMPONENT	ASTM
POLE SHAFT	6063-T4
BASE CAST	A356
ANCHOR BOLTS	F1554 GR.55

POLE DIMENSION DATA						
TYPE	DESIGN	POLE LENGTH (FT)	BASE DIA. (IN)	TOP DIA. (IN)	GAUGE OR THK (IN)	WEIGHT (LBS)
	RNA-12-45-7-AB	12'-0"	4.50	4.50	.188	41

DETAIL GENERAL NOTES



AMERICAN LITE POLE
2800 S. HULEN, SUITE 200
FORT WORTH, TX 76109
817-924-3682 PH.
817-924-7049 FAX

**** CONFIDENTIAL ****
THE INFORMATION CONTAINED IN THIS DRAWING IS PROPRIETARY AND CONFIDENTIAL. UNAUTHORIZED DUPLICATION OR DISSEMINATION OF THIS DOCUMENT IS STRICTLY PROHIBITED WITHOUT PRIOR WRITTEN NOTICE FROM AMERICAN LITE POLE.

REV. DATE BY REVISION DESCRIPTION
PROJECT NAME:

DESCRIPTION:
ROUND STRAIGHT ALUMINUM ANCHOR BASE
12' x 4.5" x .188"

PO NUMBER: DATE: DWG BY:
040214 BM
QUOTE NUMBER: SCALE: QTY: CHKD BY:
NTS CKR
DRAWING NUMBER: REV:
RNA-12-45-7-AB



Job Name:
Kanawha Plaza

Catalog Number:
L606W-AL

Notes:

Type:
S

LV - CENTRAL15-17875

COLE LIGHTING SUBMITTAL

JOB NAME

CATALOG NUMBER

Type

Steplites

L600 SERIES

SPECIFICATIONS

Construction

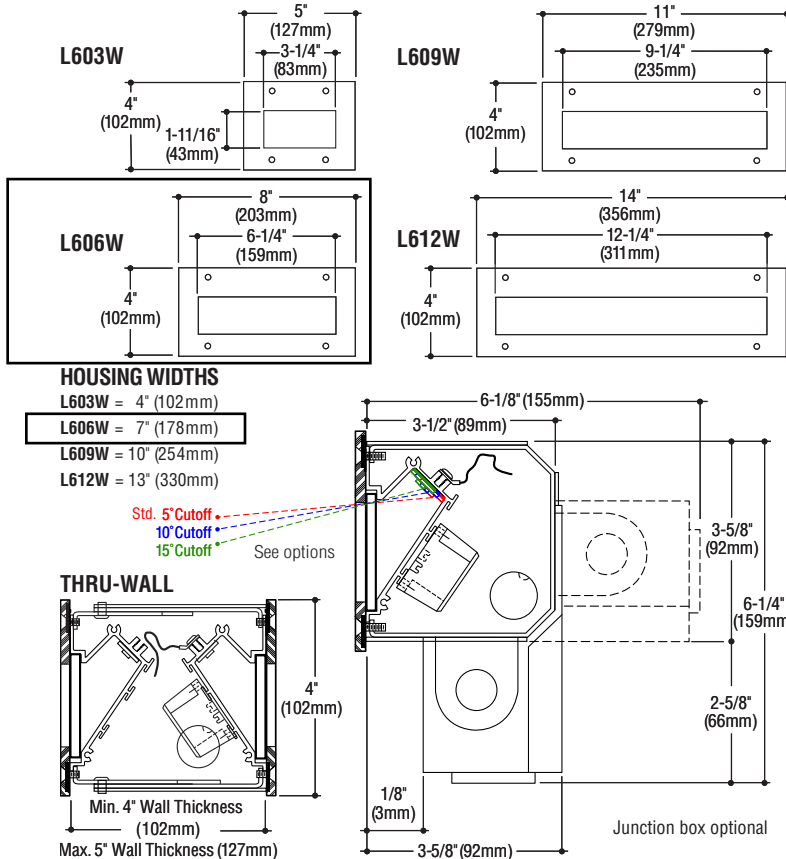
- Recessed housing is constructed from 16 gauge electro-galvanized steel, matte black powder coat finished
- Faceplates are 3/16" aluminum or stainless steel
- Aluminum faceplates are powder coated; Stainless steel are satin finished, passivated for maximum rust resistance
- Fixtures are furnished with stainless steel socket head tamperproof screws
- Diffuser is clear tempered glass, set in silicone sealant
- Internal baffle is coated matte black to eliminate glare
- Optional junction box is cast aluminum with polyester coating
- cETLus listed installation in any wall construction and suitable for wet locations in any wall construction.

Electrical

- Fixture is wired with high performance LEDs positioned for 5°, 10° or 15° cutoff (5° standard)
- Integral driver is universal voltage
- Housing provided with 1/2" conduit knockout on each side, suitable for 4 wire thru-wiring, 2 in 2 out
- Optional junction box allows 8 wire thru-wiring, 4 in 4 out. Provided with two 1/2" tapped conduit entrances in the bottom and one 1/2" tapped conduit entrance in each side.

Mounting

Housing has flange with holes for mounting. Thru-wall housings allow 1" of adjustment for varying wall thicknesses.



Catalog Number Lamp	Faceplate		Thru-Wall	
	Aluminum	Stainless Steel	Aluminum	Stainless Steel
LED 1.5W, (126 lm @ 3000°K)*	<input type="checkbox"/> L603W-AL	<input type="checkbox"/> L603W-N	<input type="checkbox"/> L603W-2S-AL	<input type="checkbox"/> L603W-2S-N
LED 3.6W, (215 lm @ 3000°K)*	<input type="checkbox"/> L603W-AL-HO	<input type="checkbox"/> L603W-N-HO	<input type="checkbox"/> L603W-2S-AL-HO	<input type="checkbox"/> L603W-2S-N-HO
LED 3.0W, (252 lm @ 3000°K)	<input checked="" type="checkbox"/> L606W-AL	<input type="checkbox"/> L606W-N	_____	_____
LED 7.2W, (430 lm @ 3000°K)	<input type="checkbox"/> L606W-AL-HO	<input type="checkbox"/> L606W-N-HO	_____	_____
LED 4.5W, (377 lm @ 3000°K)	<input type="checkbox"/> L609W-AL	<input type="checkbox"/> L609W-N	_____	_____
LED 10.8W, (645 lm @ 3000°K)	<input type="checkbox"/> L609W-AL-HO	<input type="checkbox"/> L609W-N-HO	_____	_____
LED 6.0W, (503 lm @ 3000°K)	<input type="checkbox"/> L612W-AL	<input type="checkbox"/> L612W-N	_____	_____
LED 14.4W, (860 lm @ 3000°K)	<input type="checkbox"/> L612W-AL-HO	<input type="checkbox"/> L612W-N-HO	_____	_____

*Indicated values for wattage doubled for thru-wall models.

Options

Bronze faceplate: Satin finished, clear coated.
 Add suffix -B.

Junction box: Cast aluminum junction box.
 Add suffix -J (Not available on L603 model).

Dimming: Universal voltage 0-10V driver. Add suffix -DIM. (Not available on L603 model)

Alternate faceplate color: Black or white.
 Add suffix -BLK or -WHT.

Frosted glass diffuser: Tempered. Add suffix -FG.

Cutoff: 10° Add suffix -10° 15° Add suffix -15°.

K14

LED colors: 4000°K

(L603, 146 lm), (L603-HO, 249 lm),
 (L606, 292 lm), (L606-HO, 498 lm),
 (L609, 438 lm), (L609-HO, 747 lm),
 (L612, 584 lm), (L612-HO, 995 lm). Add suffix -4K.
 Amber. Add suffix -AMB. Blue. Add suffix -BLU.
 NOTE: Amber and Blue not available in HO-2.

How to Specify

1. Select catalog number with desired features.
2. Add suffixes for options required to meet job conditions.



C.W. Cole & Company, Inc.
 2560 N. Rosemead Boulevard
 South El Monte, CA 91733-1593

Tel. (626) 443-2473
 Fax (626) 443-9253
 info@colelighting.com
 www.colelighting.com



Job:

Approval:

Type:

VISION-3

LIGHTING

MR16 Round Well Light **MODEL IG3**
12V, 20W Max., MR16 Halogen
12-24V, 10W or 12V, 12.5W LED

Specifications:

Housing: Cast C84400 bronze collar attached to an ABS plastic housing using 18-8 stainless steel hardware.

Lamp Holder: Machined 6061-T6 aluminum cap attached to a machined 6061-T6 aluminum body using one 18-8 stainless steel set screw, and sealed with a high temperature silicone O-ring. Cap and body are black anodized. Cap accepts up to three internal accessories, held in place by a stainless steel clip. Lamp holder is supplied with 6' of cable. Cable exit sealed with a water tight strain relief fitting.

Aiming: Lamp holder is attached to 304 stainless steel bracketry, allowing full 360° rotational, and ±29° (MR16 and 10W LED) or ±19° (12.5W LED) vertical aiming. Bracketry is mounted to cast C84400 bronze collar, allowing adjustment with faceplate removed. 18-8 stainless steel hardware locks lamp holder in place after adjustment.

Faceplate: Cast C84400 bronze faceplate mounts to aiming bracketry with 18-8 stainless steel hardware, ensuring that lens opening is properly aligned. The 1/4" tempered faceplate lens is secured to the faceplate with a high temperature, UV curing, silicone adhesive.

Finish: TGIC thermo set polyester powder coat paint available in 14 standard colors. Also available in three additional bronze finishes: Natural, Polished, and Aged.

Cap Lens: Tempered, clear lens, secured to cap with a high temperature, UV curing, silicone adhesive. Stepped, flush lens reduces collection of water and debris on the lens.

Socket: GY-6.35 porcelain socket with 600V, 250°C, PTFE coated 18 ga leads.

Lamps:

- 12 Volt bi-pin 20W MR16 halogen (See **Certification** heading).
- 12-24 Volt AC/DC, 10W LED with High/Low switch for 35W & 20W halogen equivalent outputs. Requires up to 13W at startup, which must be allowed for during system design.
- 12 Volt AC/DC, 12.5W LED with push button selection of 4 outputs (50W, 35W, 20W & 12W halogen equivalent). Requires up to 15W at startup, which must be allowed for during system design.

LED modules are field replaceable and feature replaceable lenses, an L70 of 60,000 hrs., dynamic transformer recognition, phase dimming (see Transformer and Dimmer Compatibility List), and patented LEDSense® thermal management.

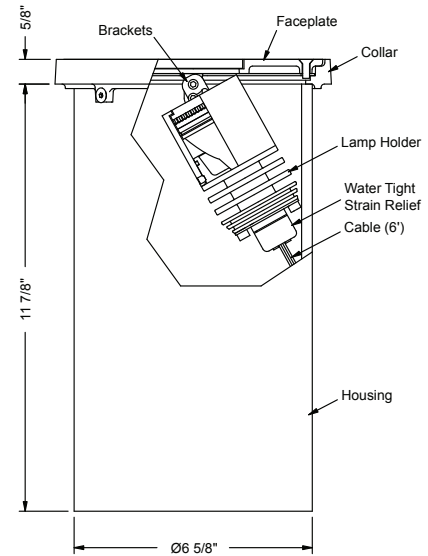
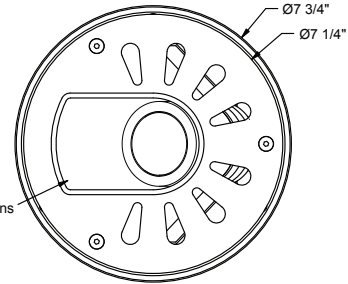
Certification: CSA tested & certified to US and Canadian safety standards for the following applications:

Wet location landscape use (UL1838):

IG3B - 20W Max. MR16 Halogen lamp.

10W LED & 12.5 LED can be used in all models and applications.

All ratings subject to change without notice. See web site or contact V3 for most current info.



Ordering Information:

IG3B		Lamp	Lens Accy ¹	Filter ¹	Louver ¹
Model	Finish				
IG3B - Cast Bronze	BL - Black	0 - None	0 - None	0 - None	0 - None
	BLT - Textured Black	LED 2,3:	L1 - Spread Lens	F1 - Red	H1 - Honeycomb Louver
	BN - Bronze	116 - 10W, 3000K, 12° ¹	L2 - Linear Lens	F2 - Blue	
	BNT - Textured Bronze	117 - 10W, 3000K, 21° ¹	L3 - Softening Lens	F3 - Light Blue	
	BAT - Textured Bark	118 - 10W, 3000K, 41°¹		F4 - Green	
	WI - White	119 - 12.5W, 3000K, 19°		F5 - Amber	
	GRT - Textured Green	120 - 12.5W, 3000K, 34°		F6 - Pink	
	SI - Silver	121 - 12.5W, 3000K, 60°		F7 - Mercury Vapor	
	GY - Grey	MR16 Halogen:			
	BE - Beige	01 - ESX, 20W, 12°			
	GNT - Textured Granite	02 - BAB, 20W, 40°			
	SAT - Textured Sand				
	PAT - Textured Patina				
	EAT - Textured Earth				
	NAT - Natural				
	POL - Polished				
	AGE - Aged				

SELECT FINISH

Notes:

1. Only two lens accessories can be used with 10W LED.
2. Only power LED with magnetic or V3 approved electronic transformers (contact V3 for transformer compatibility info).
3. LED available with other color temperatures as a special order. Consult your V3 sales rep.
4. Specifications, certifications, and ordering information are subject to change. Please check website for latest specification sheets.

Example: IG3B - NAT - 01 - 0 - F3 - H1

Submitted by Lighting Virginia-Central



Job Name:
Kanawha Plaza

Catalog Number:
XM2-XXX-120-X

Notes:

Type:

T XFMR

LV - CENTRAL15-17875

**SELECT WATTAGE
AS NEEDED**

**SELECT OPTIONS
AS NEEDED**



Job Name:
Kanawha Plaza

Catalog Number:

BS100LED-HT-50W-WT41-XXXV-JM-SS

Notes:

Type:

W

LV - CENTRAL15-17875

Type: _____

Project: _____

ILLUMINA®

LED WET IP66 | SANITATION | 4FT



meets BAA requirements

BS100LED

- The ILLUMINA® BS100LED Unique three piece design that allows effortless assembly without any tools.
- **DIFFUSER:** 100% UV stabilized polycarbonate diffuser eliminates glare and is integrated with crystals that enhance even light distribution.
- **HOUSING:** 100% UV stabilized polycarbonate housing, liquid silicone perimeter gasket.
- **MOUNTING:** Surface mount standard, 8 different mounting options available.
- The ILLUMINA® BS100LED is corrosion, flame and vandal resistant.
- **DLC** qualified luminaire Category: Linear Ambient Luminaires: Direct



APPLICATION: The ILLUMINA® BS100LED is ideal for low bay, linear, surface, suspended, outdoor, indoor, retail, industrial, parking garage, carport, parking structures, warehouses, breezeways, canopies, schools and much more.

CONFIGURATIONS

MODEL	LENGTH	OPERATION	POWER	LED/PERFORMANCE	INPUT	MOUNTING	OPTIONS
BS100LED	4 (4ft)	HT (AC only)	50W	WT35 (3500K)	120-277V	AC_4 (aviation cable)	SS (stainless steel clips)
BS100LED-RK ¹		SA ² (AC & EM)	80W	WT41 (4100K)	347V ³	SPK_5 (single pendant kit)	FP (fuse protection)
				WT57 ² (5700K)	480V ³	SVLSPK_5 (swivel single pendant kit)	TPS ⁷ (tamper proof screws)
						DPK_5 (double pendant kit)	IOS ⁸ (internal occupancy sensor)
						CH_5 (chain hang kit)	
						TM_5 (trunion mount)	
						JM ⁹ (direct mount to j-box)	
						PM (pivot mount)	

SELECT VOLTAGE

NOTE¹: RK=Retro Fit Kit; Mounting options DO NOT apply to BS100LED-RK unit. Not DLC approved
NOTE²: Not DLC approved.
NOTE³: Not available with IOS or SA. Not DLC approved
NOTE⁴: Specify length for AC: 50", 72", 100", 150", 250" fully adjustable.

NOTE⁵: SPK, DPK, CH & TM options, min 6".

NOTE⁶: JM option - the unit is no longer wet location / IP66 rated and voids Sanitation Listing.

NOTE⁷: TP-tamper proof screws require a special bit (TPB), order as needed.

NOTE⁸: FSP-211-requires wireless IR (See below for more info).

ELECTRICAL:

- 4ft: 216 LED's,
- Color temps: 3500K, 4100K, 5700K
- Input: 120V-277V, 50-60HZ
- Fuse protection available

EM MODE (SA MODE):

- 108 LED's, operational
- 50% illuminated: 1 row (2 LED boards)
- 1622 Lumens
- Minimum of 90 minutes per code
- Maintenance free nickel-cadmium battery
- Recharge time: 24 hours

POWER LINE/FEED:

- 3-wire, solid type 18awg, pre-stripped 12"
- Leads for quick in-field connection and hot load disconnect feature.

DIMMING:

0 - 10V dimming is standard. (compatible with most dimming systems, contact factory for more information).

SANITATION LISTED (SL): Standard on all BS100LED. Equivalent to the NSF standard 2. Meets the rigorous sanitation, electrical safety and performance standards for food safe applications. Note: Sanitation listing is voided with JM or IOS.

INTERNAL OCCUPANCY SENSOR (IOS)

Sensor: Wattstopper FSP-211. Requires wireless IR commissioning handheld tool for programming order as needed (item #476100186).

RETROFIT KIT (BS100LED-RK):

A quick upgrade system for your existing fluorescent BS100 units. Designed to easily snap into the existing BS100 housing. Engineered to save you time and labour. Includes the polycarbonate diffuser, the steel reflector, LED modules and driver.

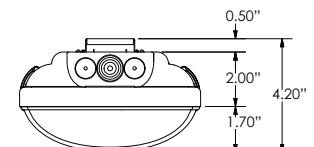
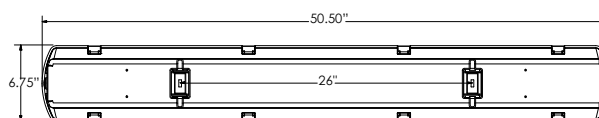
MOUNTING:

Surface mount configuration is standard with integrated stainless steel mounting brackets. Additional mounting systems are available: including aviation cable, pendants, chain, trunion, magnetic, pivot and direct to junction box configurations.

Suspension height is to be specified when ordering any suspension mount units: AC, SPK, DPK & CH. Junction mount (JM) configuration allows for direct mount to recessed junction box, 3" hole and 3/4" thick neoprene gasket provided.

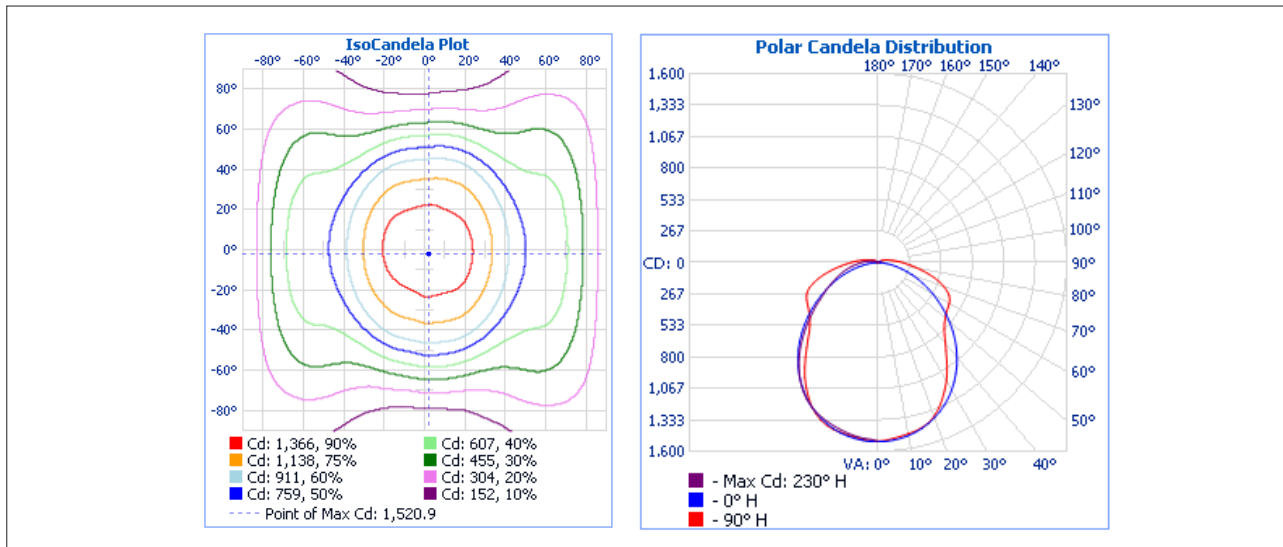
WEIGHT: 10 lbs. / 4.5 kilo.

WARRANTY: 5 year warranty, see website for full warranty details.



ILLUMINA® BS100LED

BS100LED-4HT-50W-WT41-120-277V

**ENERGY CHART**

LAMP	LENGTH	EFFICACY	CONSUMPTION WATTAGE	LUMEN OUTPUT	CRI	AMBIENT TEMP	L70 (hrs.)
BS100LED-4HT-50W-WT35-120-277V	4FT	95 lm/W	45.8	4355	80+	25° C	100,000
BS100LED-4HT-50W-WT41-120-277V	4FT	95 lm/W	46.2	4404	85+	25° C	100,000
BS100LED-4HT-50W-WT57-120-277V	4FT	95 lm/W	46.2	4382	85+	25° C	100,000
BS100LED-4HT-80W-WT35-120-277V	4FT	87 lm/W	69.3	6056	85+	25° C	100,000
BS100LED-4HT-80W-WT41-120-277V	4FT	89 lm/W	68.7	6181	95+	25° C	100,000
BS100LED-4HT-80W-WT57-120-277V	4FT	92 lm/W	68.5	6372	87+	25° C	75,000